

[54] PACIFIER COUPLER FOR BABY'S GARMENT

[76] Inventor: Vicki Balfanz-Lee, 9102 NE. Highway 99, Vancouver, Wash. 98665

[**] Term: 14 Years

[21] Appl. No.: 93,552

[22] Filed: Sep. 3, 1987

[52] U.S. Cl. D11/215; D11/41; D11/201

[58] Field of Search D11/1-3, D11/22, 27, 40-43, 45-48, 60, 79-81, 86-87, 93-95, 214, 200, 215, 222, 201; 63/1.1-4, 18-21, 23; 24/72.5; 5/498; D6/607

[56] References Cited

U.S. PATENT DOCUMENTS

D. 283,410	4/1986	De Rosa	D11/41
D. 297,999	10/1988	Kent	D6/607
2,626,736	1/1953	Korth	63/1.1
3,831,398	8/1974	Davis, Sr.	D11/40

Primary Examiner—Louis S. Zarfes

Assistant Examiner—R. T. Seifert

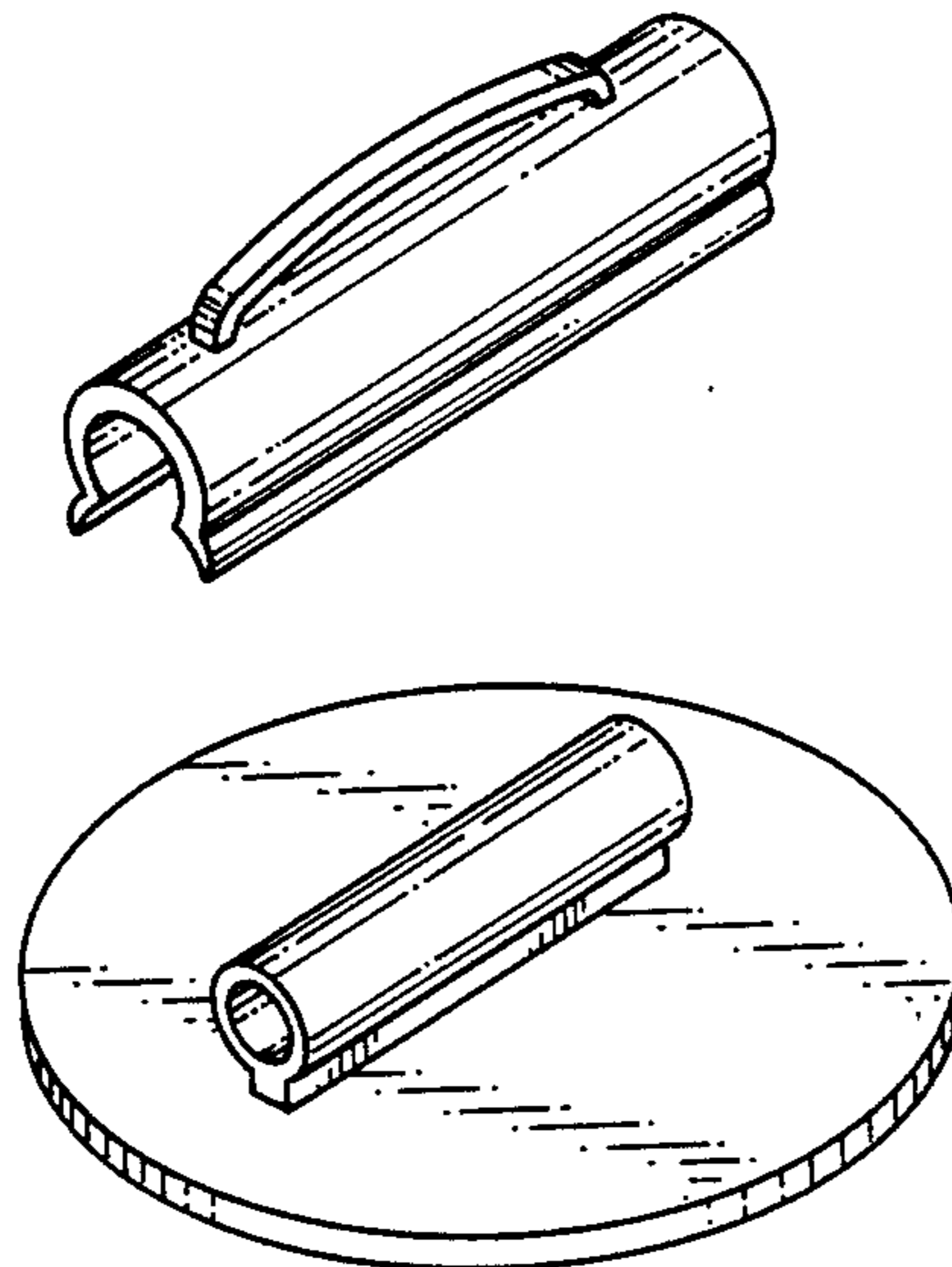
Attorney, Agent, or Firm—Dellett, Smith-Hill and Bedell

[57] CLAIM

The ornamental design for a pacifier coupler for baby's garment, as shown.

DESCRIPTION

FIG. 1 is an exploded perspective view of a pacifier coupler for baby's garment showing my new design, FIG. 2 is a top plan view thereof, FIG. 3 is a bottom plan view thereof, FIG. 4 is a right side elevational view thereof, and FIG. 5 is an end elevational view thereof.



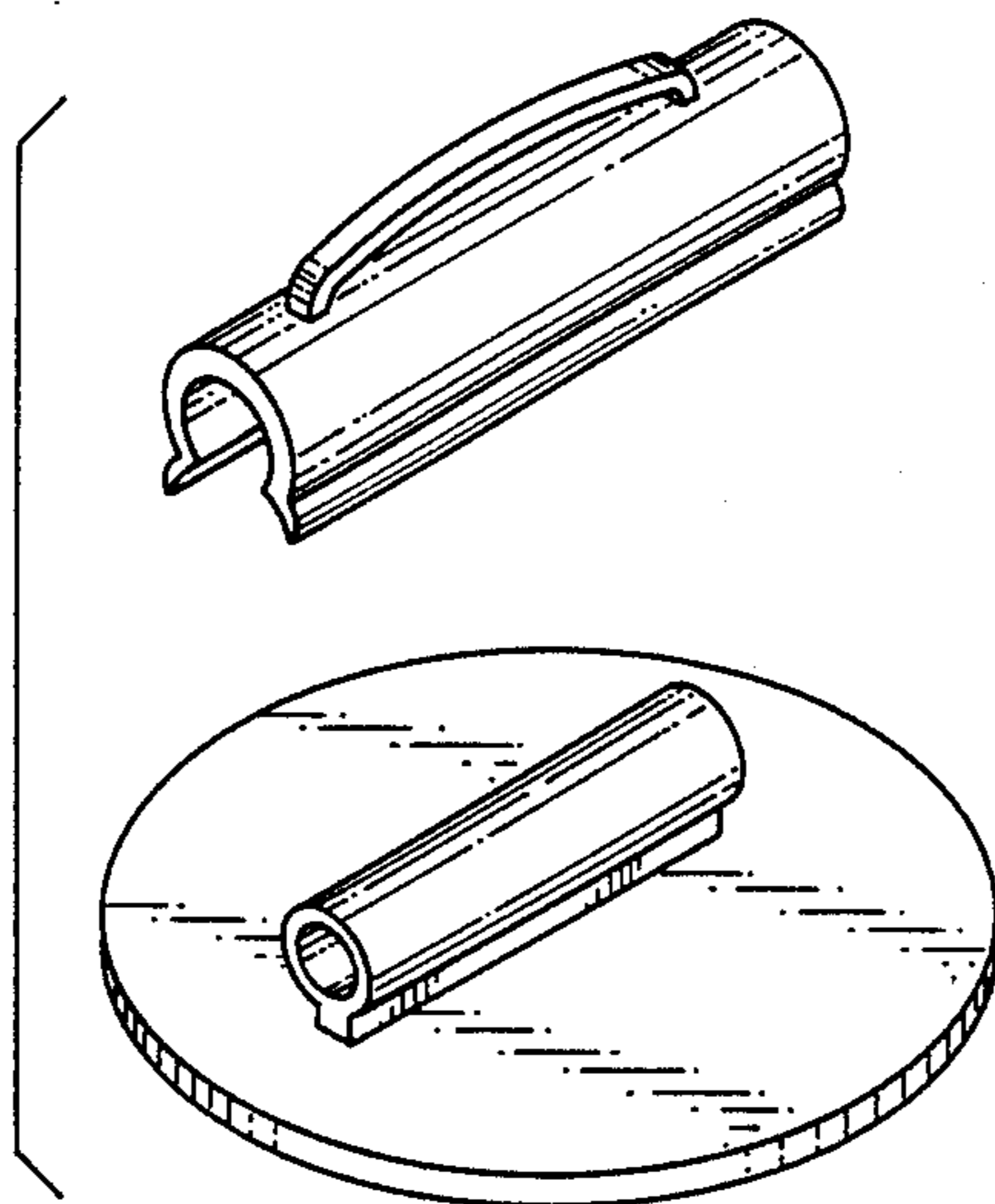


FIG. 1

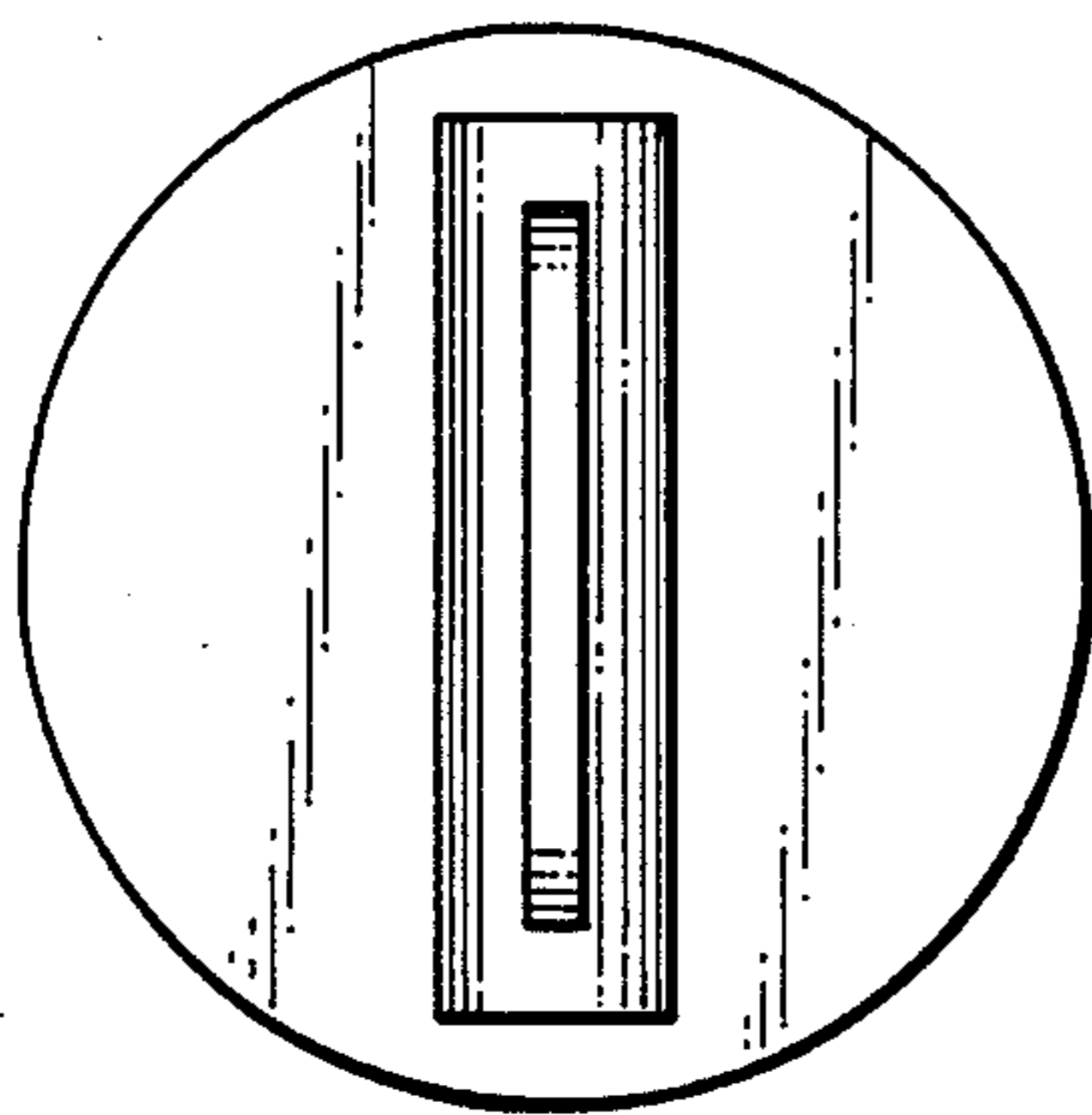


FIG. 2

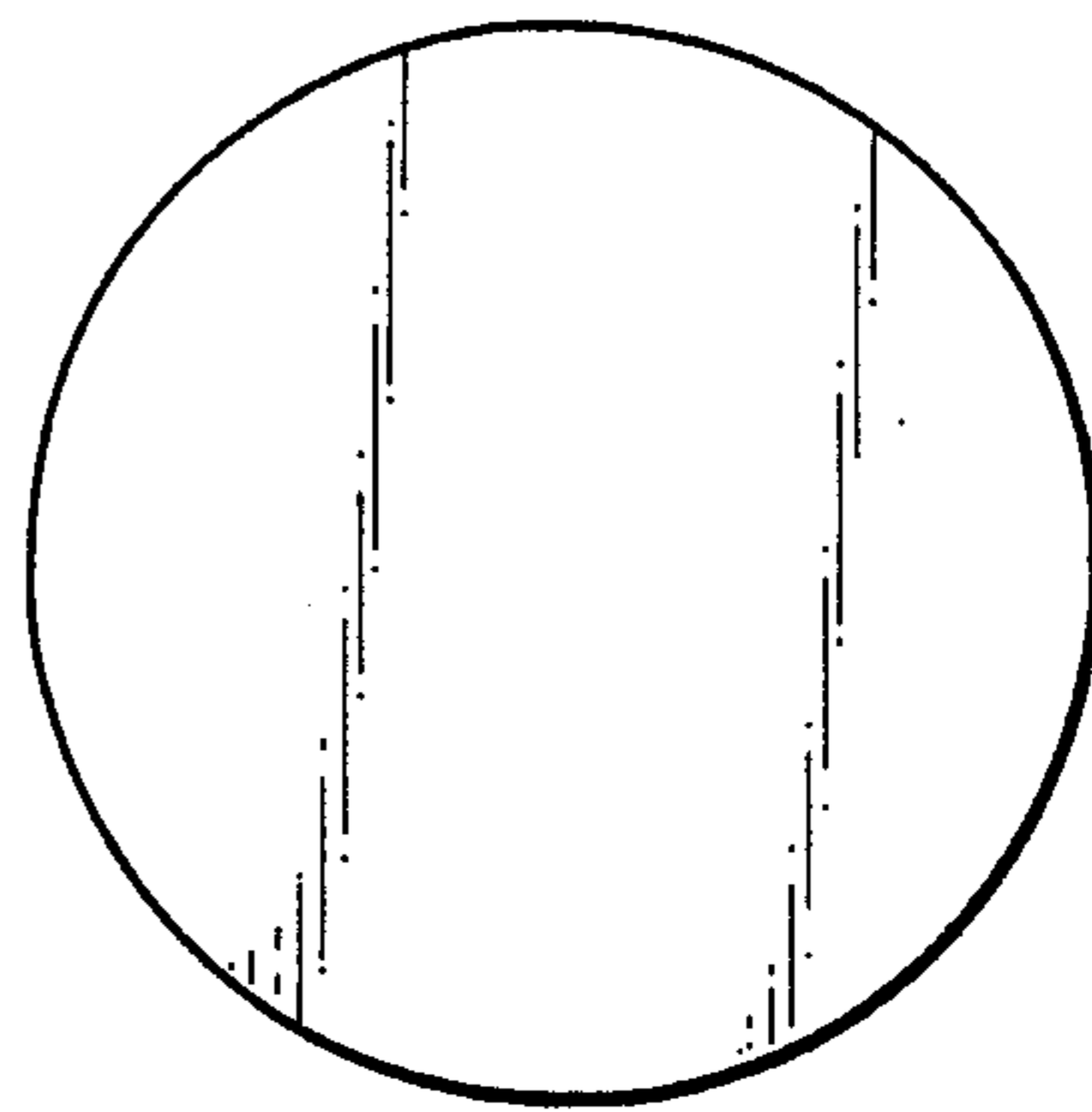


FIG. 3

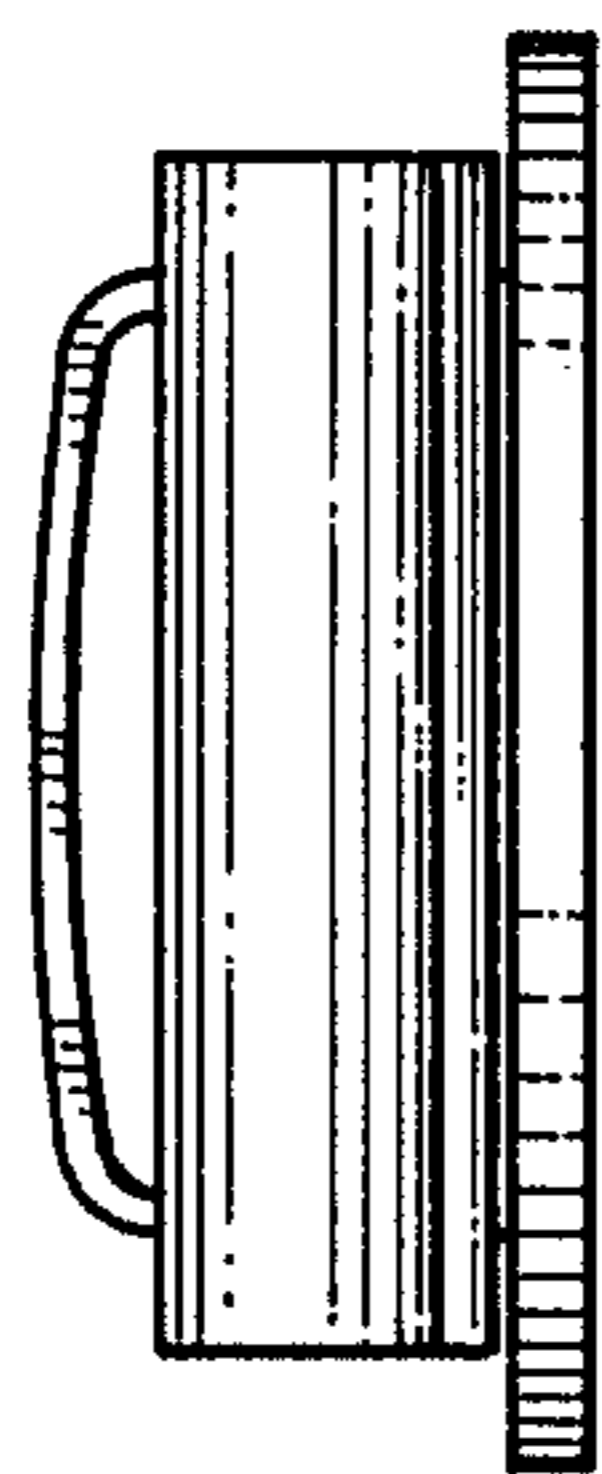


FIG. 4

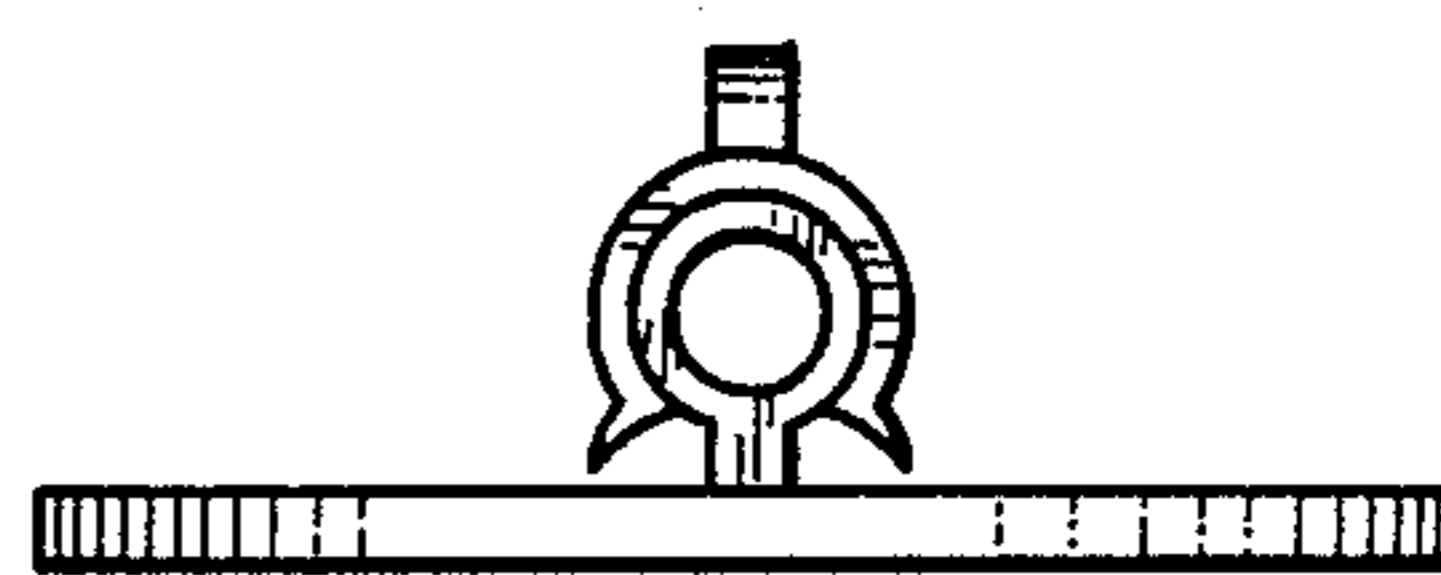


FIG. 5