

[54] **FINGER RING**

[75] **Inventor: André Méjias, Vevey, Switzerland**

[73] **Assignee: Premiere de Tabbah, S.A., Fribourg, Switzerland**

[**] **Term: 14 Years**

[21] **Appl. No.: 208,557**

[22] **Filed: Jun. 20, 1988**

[30] **Foreign Application Priority Data**

Dec. 22, 1987 [IB] Int'l Pat. Institute ... DMA/000/711
[52] **U.S. Cl. D11/35**
[58] **Field of Search D11/26-32, D11/35-39, 1-2; 63/1.1, 2, 15-15.8, 26, 29.1**

[56] **References Cited**

U.S. PATENT DOCUMENTS

D. 259,028 4/1981 Barr D11/26
D. 265,808 8/1982 Barr D11/26
D. 299,489 1/1989 Wood D11/35

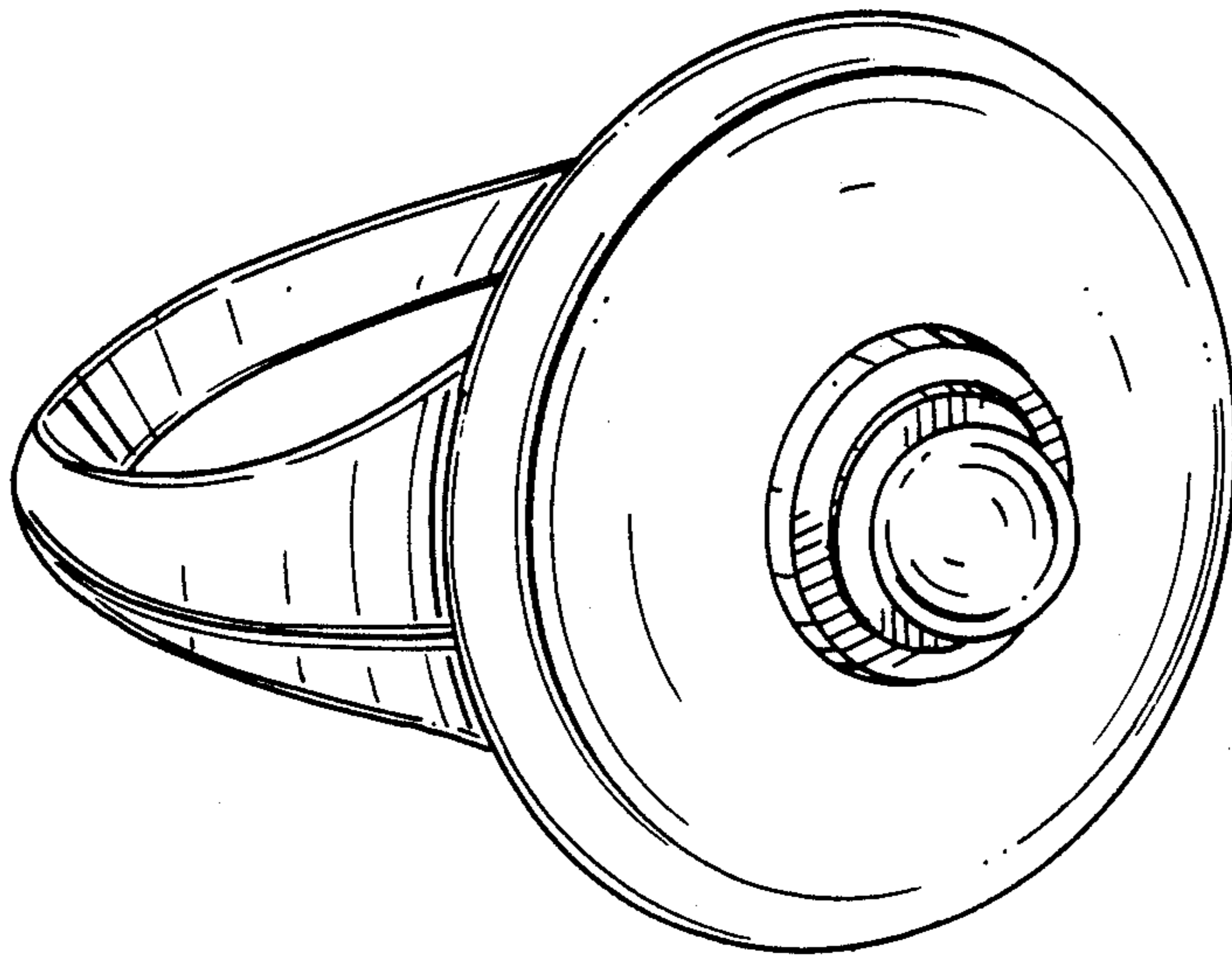
Primary Examiner—Louis S. Zarfes
Assistant Examiner—R. T. Seifert
Attorney, Agent, or Firm—Marks Murase & White

[57] **CLAIM**

The ornamental design for a finger ring, as shown.

DESCRIPTION

FIG. 1 is a top plan view of a finger ring showing my new design;
FIG. 2 is a bottom plan view thereof;
FIG. 3 is a side elevational view thereof; and
FIG. 4 is a perspective view thereof.



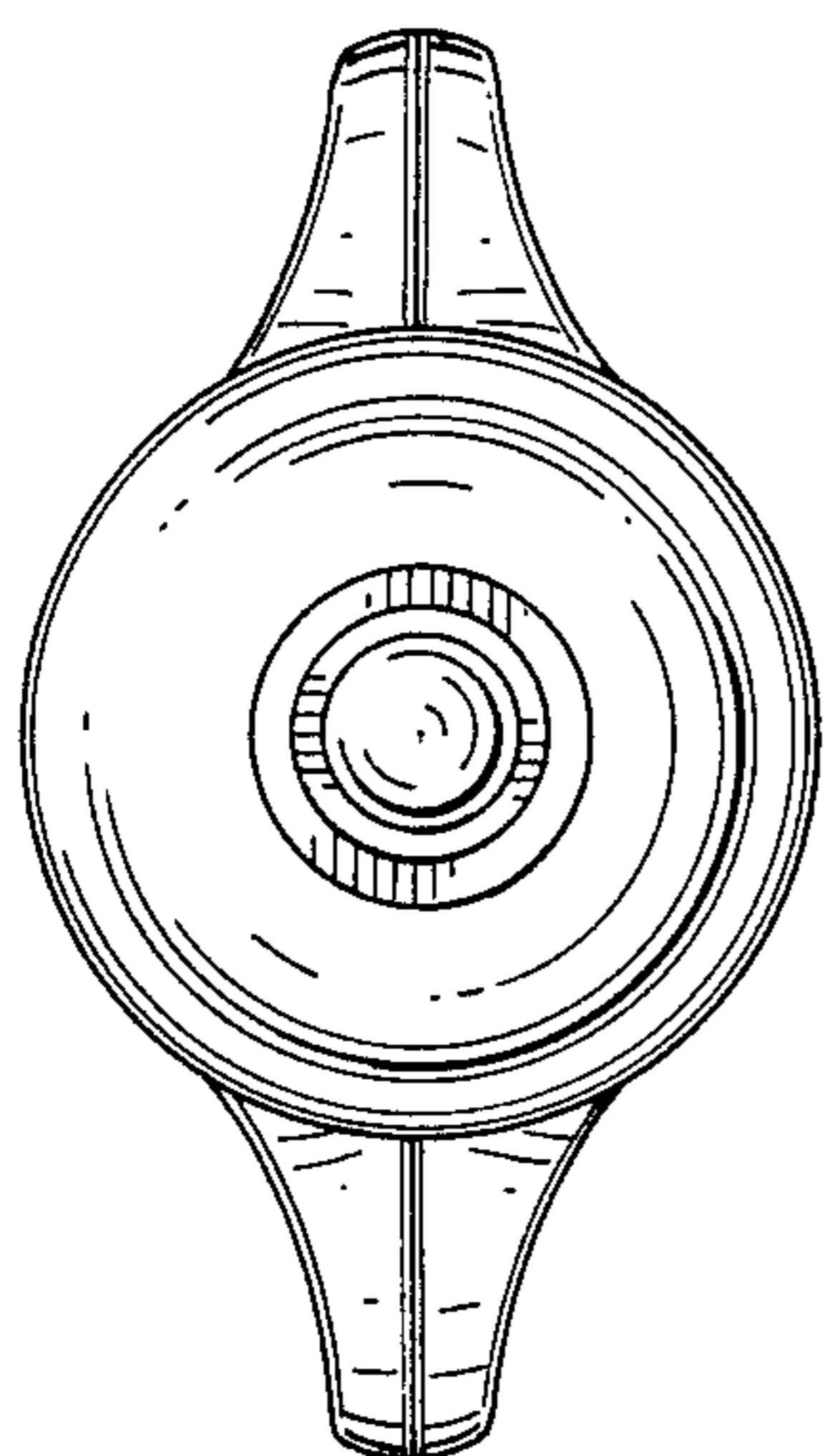


FIG. 1

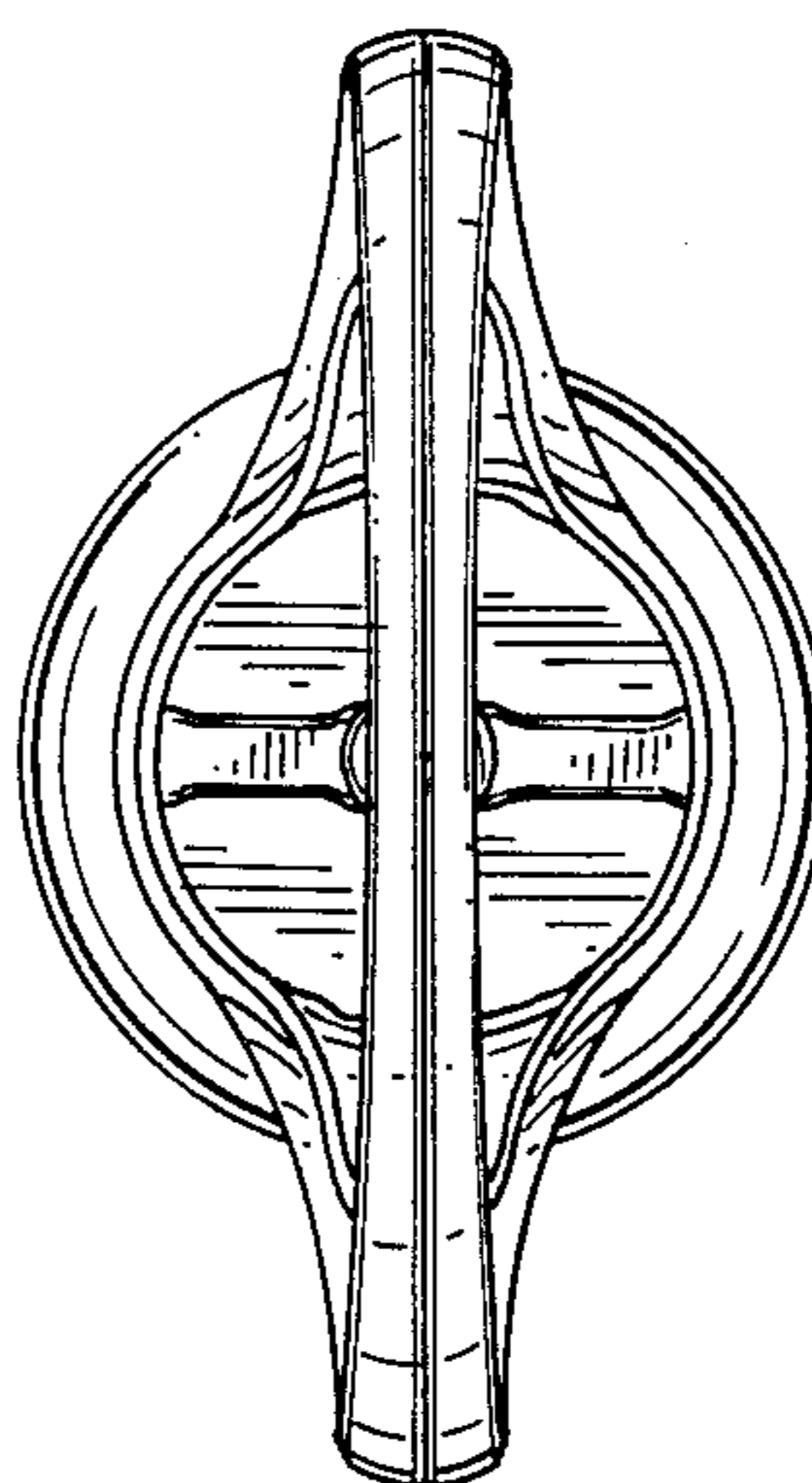


FIG. 2

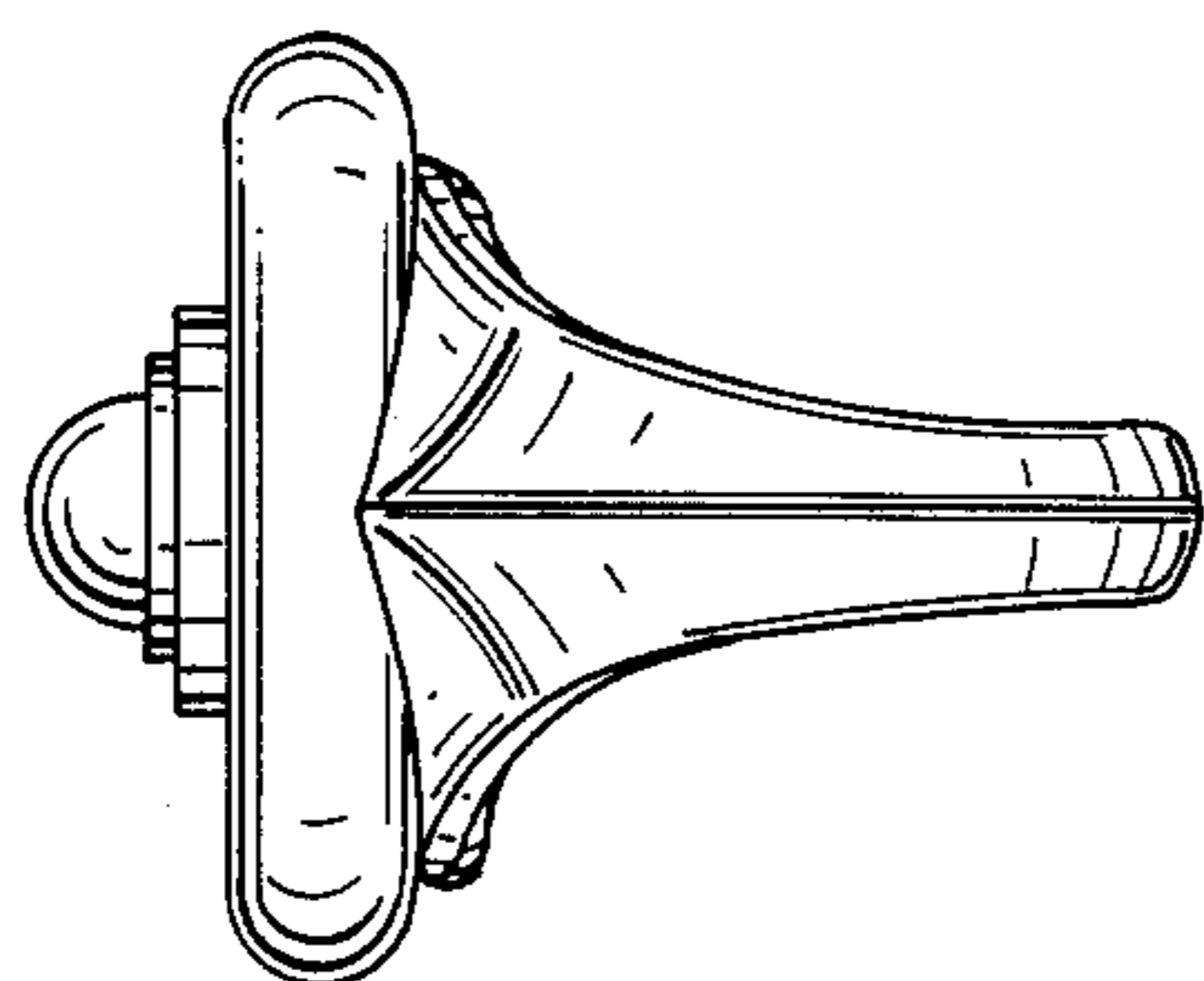


FIG. 3

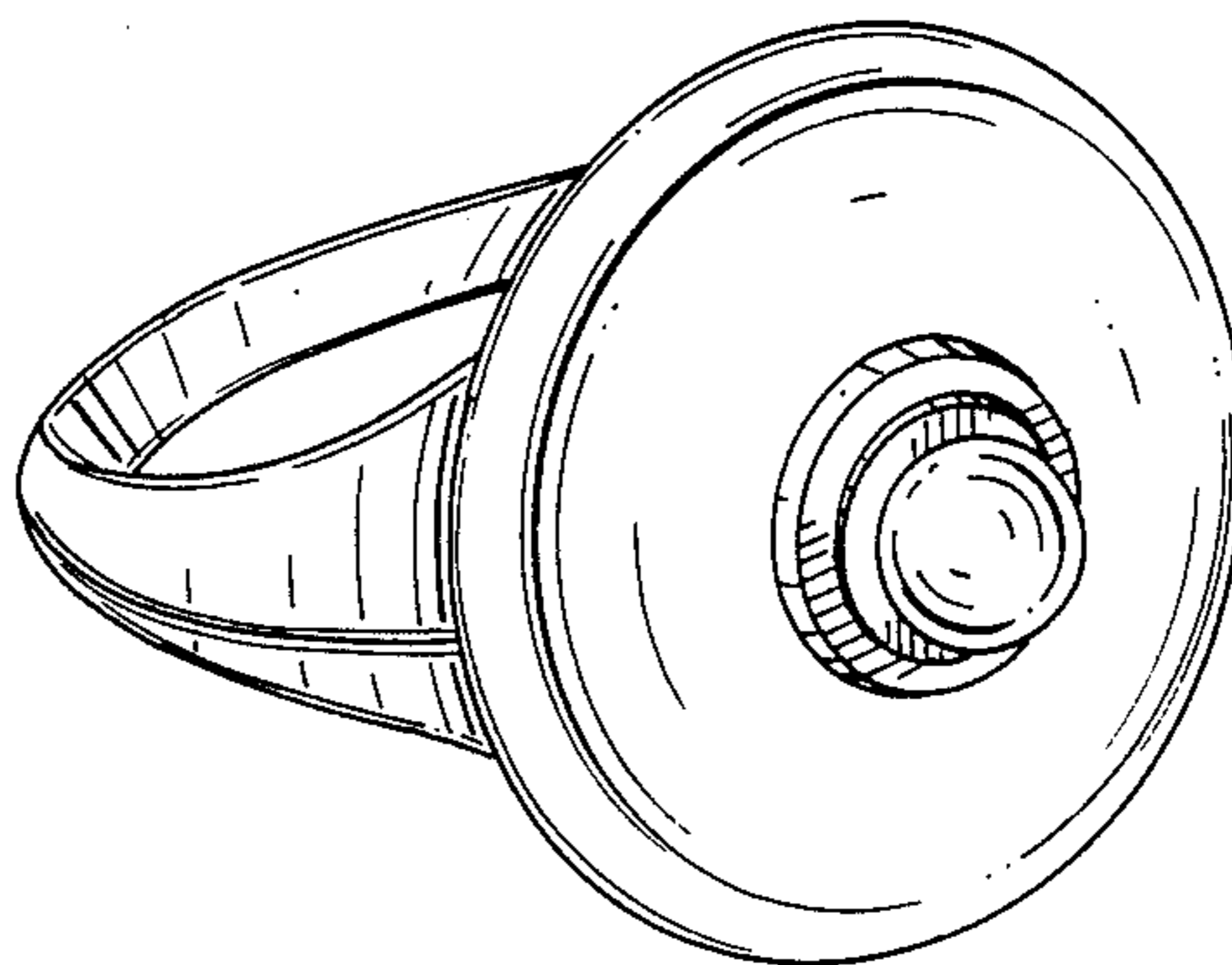


FIG. 4