

[54] **FINGER RING OR SIMILAR ARTICLE**

[75] **Inventor: Andre Mejias, Vevey, Switzerland**

[73] **Assignee: Premiere de Tabbah SA, Fribourg, Switzerland**

[**] **Term: 14 Years**

[21] **Appl. No.: 189,595**

[22] **Filed: May 2, 1988**

[30] **Foreign Application Priority Data**

Nov. 25, 1987 [IB] Int'l Pat. Institute ... DMA/000/699

[52] **U.S. Cl. D11/26; D11/3; D11/202**

[58] **Field of Search D11/1-4, D11/26-29, 35-39, 17-18; D3/61; 63/1.1, 2, 15-15.8, 26; 70/456.12**

[56] **References Cited**

U.S. PATENT DOCUMENTS

D. 215,613 9/1969 Wilkinson D11/34
1,972,128 9/1934 Bobbroff D11/30
3,877,250 4/1975 Musillo 63/23
3,995,447 12/1976 Levsunov 63/1.1

Primary Examiner—Louis S. Zarfes

Assistant Examiner—R. T. Seifert

Attorney, Agent, or Firm—Marks Murase & White

[57] **CLAIM**

The ornamental design for a finger ring or similar article, as shown.

DESCRIPTION

FIG. 1 is a perspective view of a finger ring or similar article showing my new design;

FIG. 2 is a perspective view thereof, shown in an expanded position;

FIG. 3 is a top plan view;

FIG. 4 is a bottom plan view; and

FIG. 5 is a side elevational view.

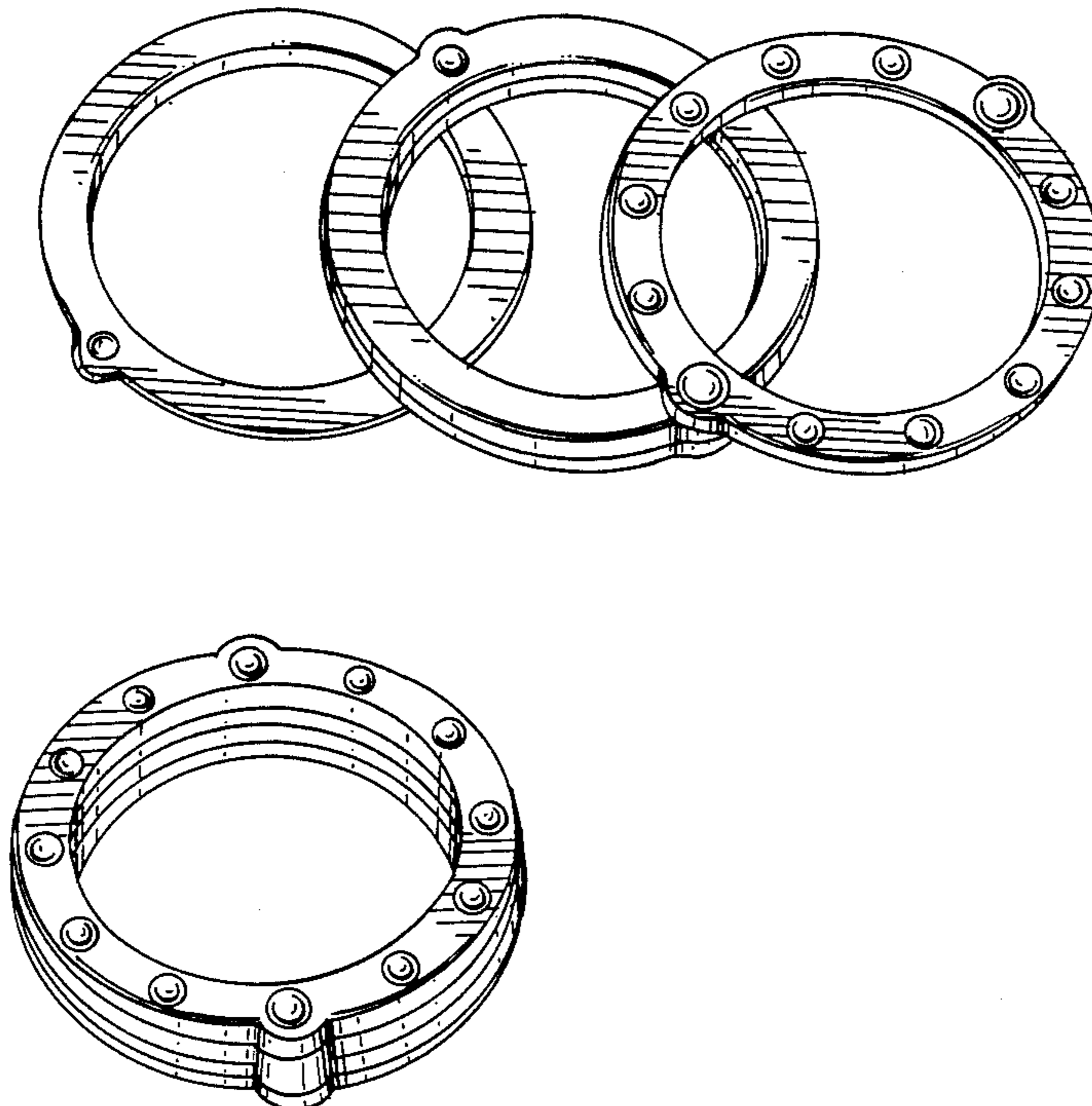


FIG. 2

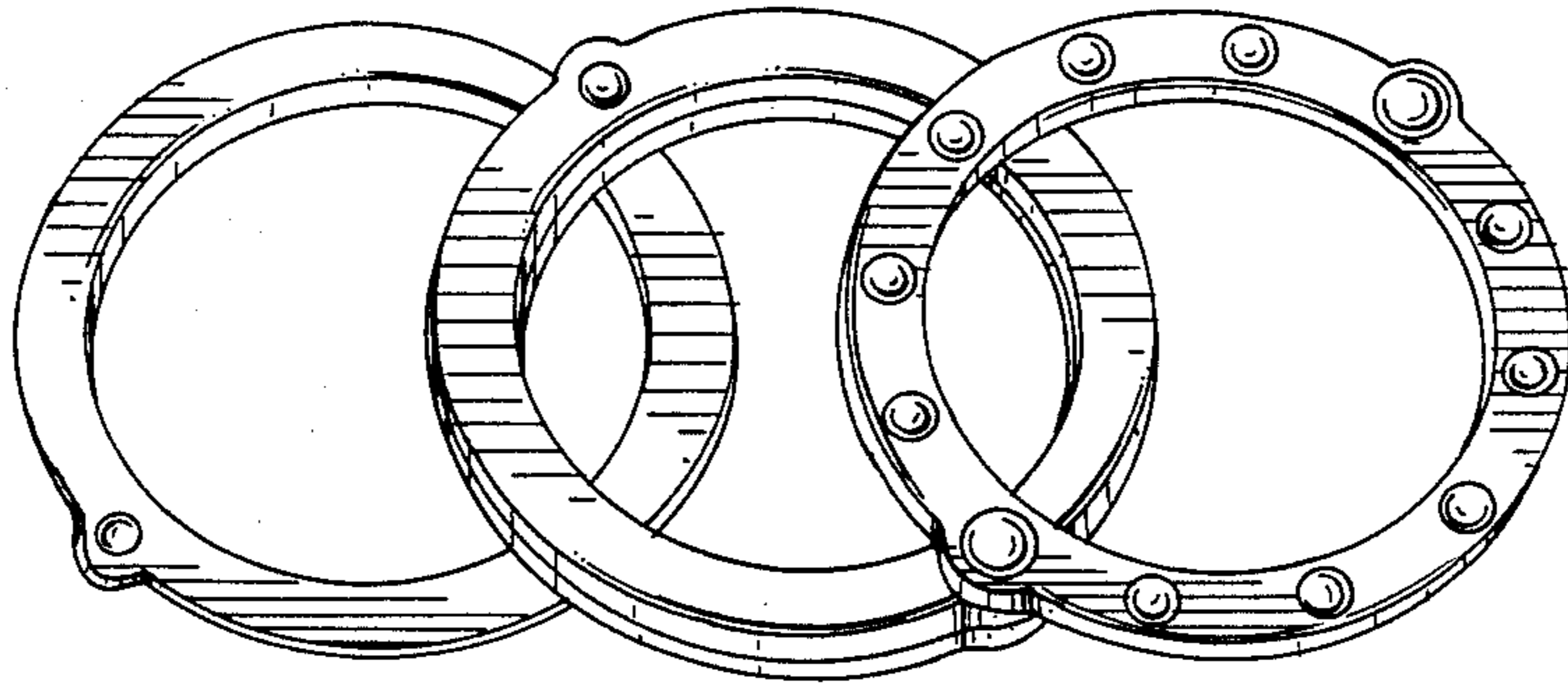


FIG. 1

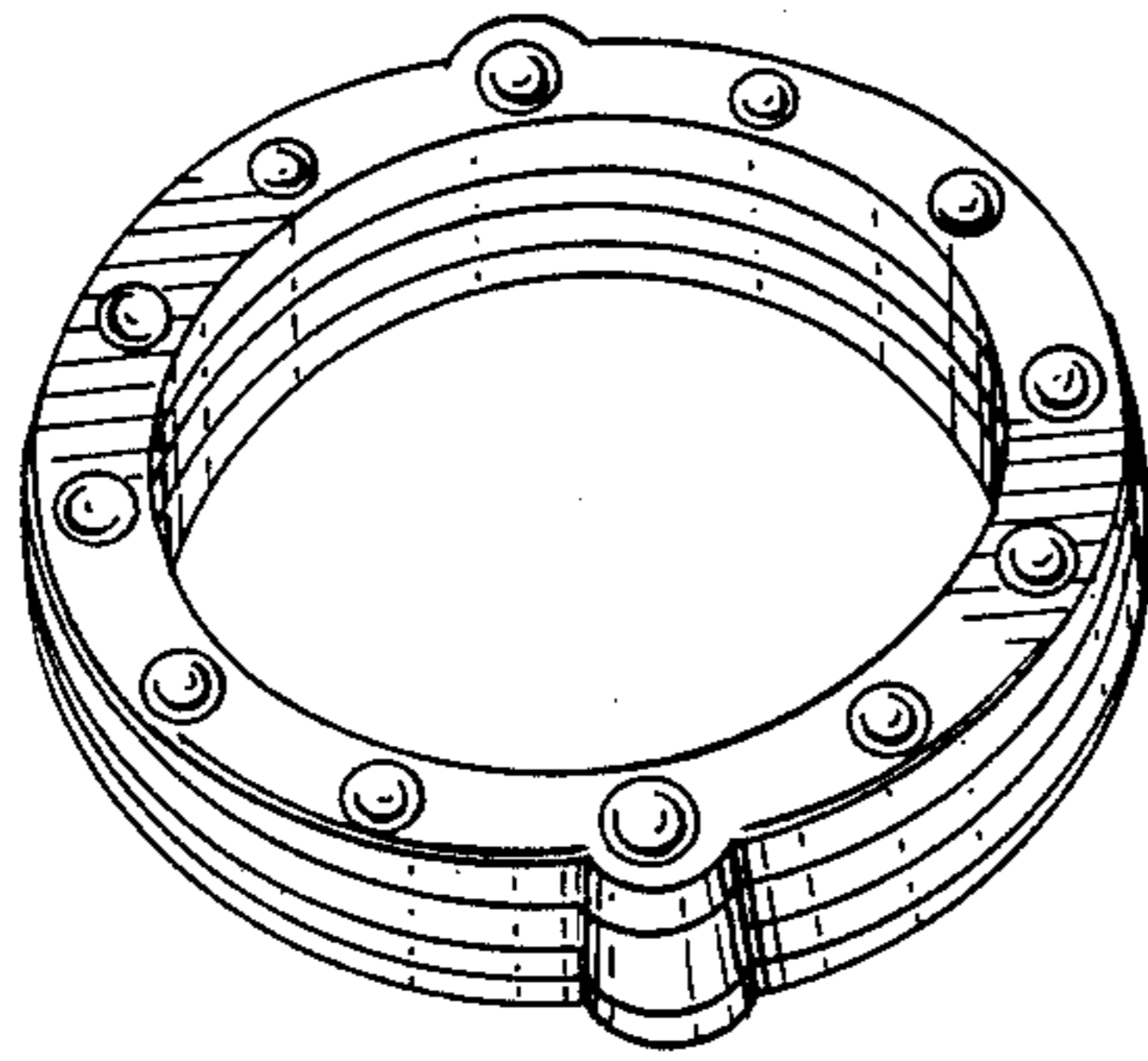


FIG. 5

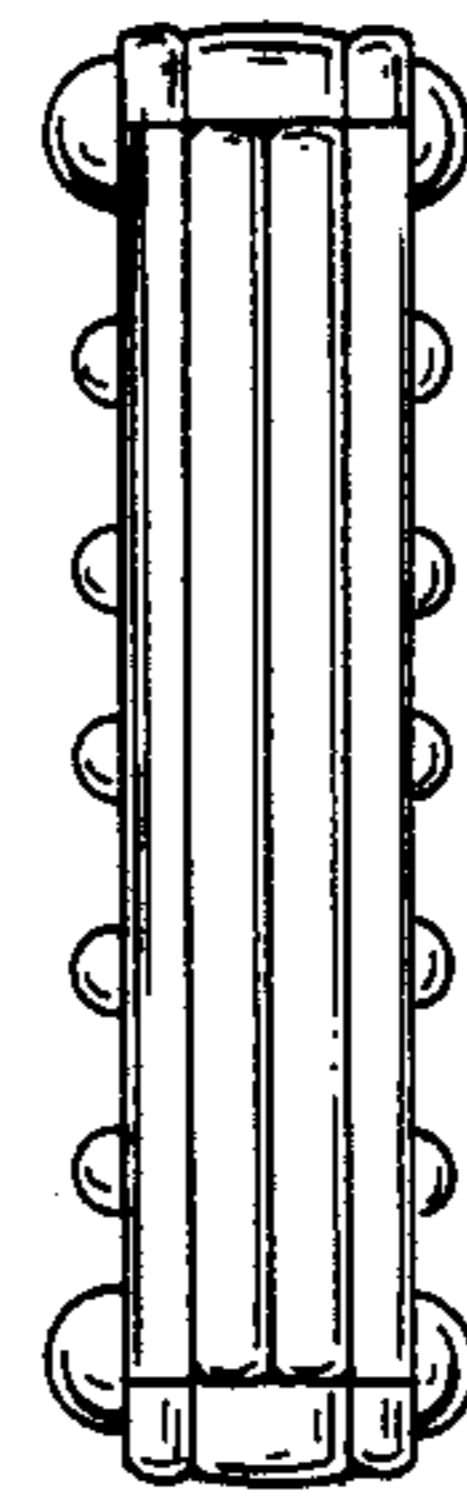


FIG. 3

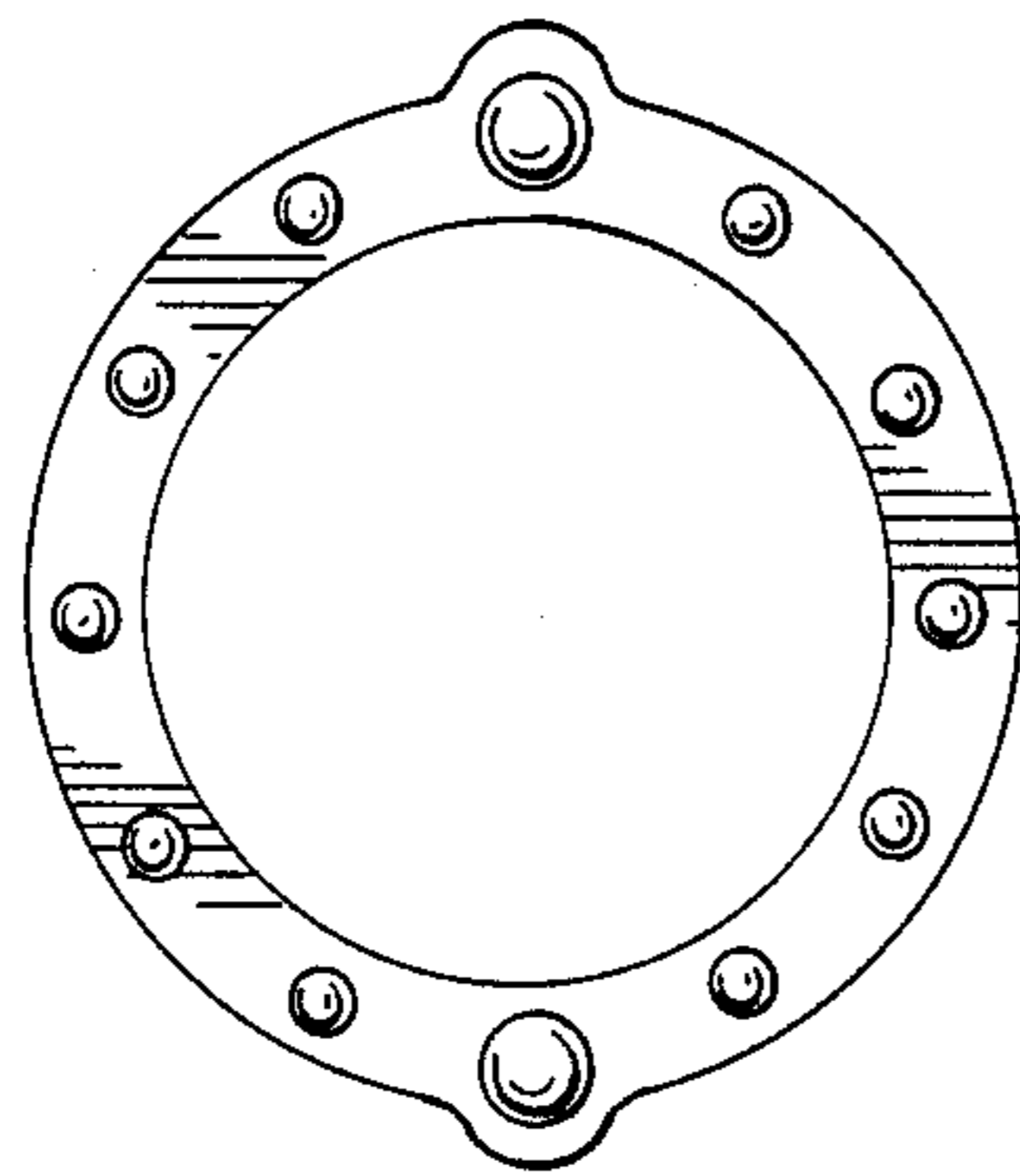


FIG. 4

