

[54] ROAD SAFETY DEVICE

2,869,504 1/1959 Andrews et al. 116/63 P

[75] Inventors: Frank Myers, Alcester; Roger L. Williams, Broxbourne, both of United Kingdom

Primary Examiner—Wallace R. Burke
Assistant Examiner—Marcus Jackson
Attorney, Agent, or Firm—Vaden, Eickenroht, Thompson & Boulware

[73] Assignee: APH Road Safety Ltd., Redditch, United Kingdom

[57] CLAIM

[**] Term: 14 Years

The design for a road safety device, as shown and described.

[21] Appl. No.: 141,906

DESCRIPTION

[22] Filed: Jan. 11, 1988

[52] U.S. Cl. D10/113

[58] Field of Search D10/113, 114; 116/63 R, 116/63 P, 63 T

FIG. 1 is a front perspective view of a road safety device showing my new design, with the rear perspective view being identical thereto;

FIG. 2 is a front elevational view thereof;

FIG. 3 is a top plan view thereof;

FIG. 4 is a right side elevational view thereof, with the left side being identical thereto;

FIG. 5 is a bottom plan view thereof;

FIG. 6 is a right side elevational view thereof, shown in a closed position.

[56] References Cited

U.S. PATENT DOCUMENTS

- D. 128,037 7/1941 Carver D10/114
- 2,525,728 10/1950 Sauer 116/63 P
- 2,561,016 7/1951 Ford et al. 116/63 P

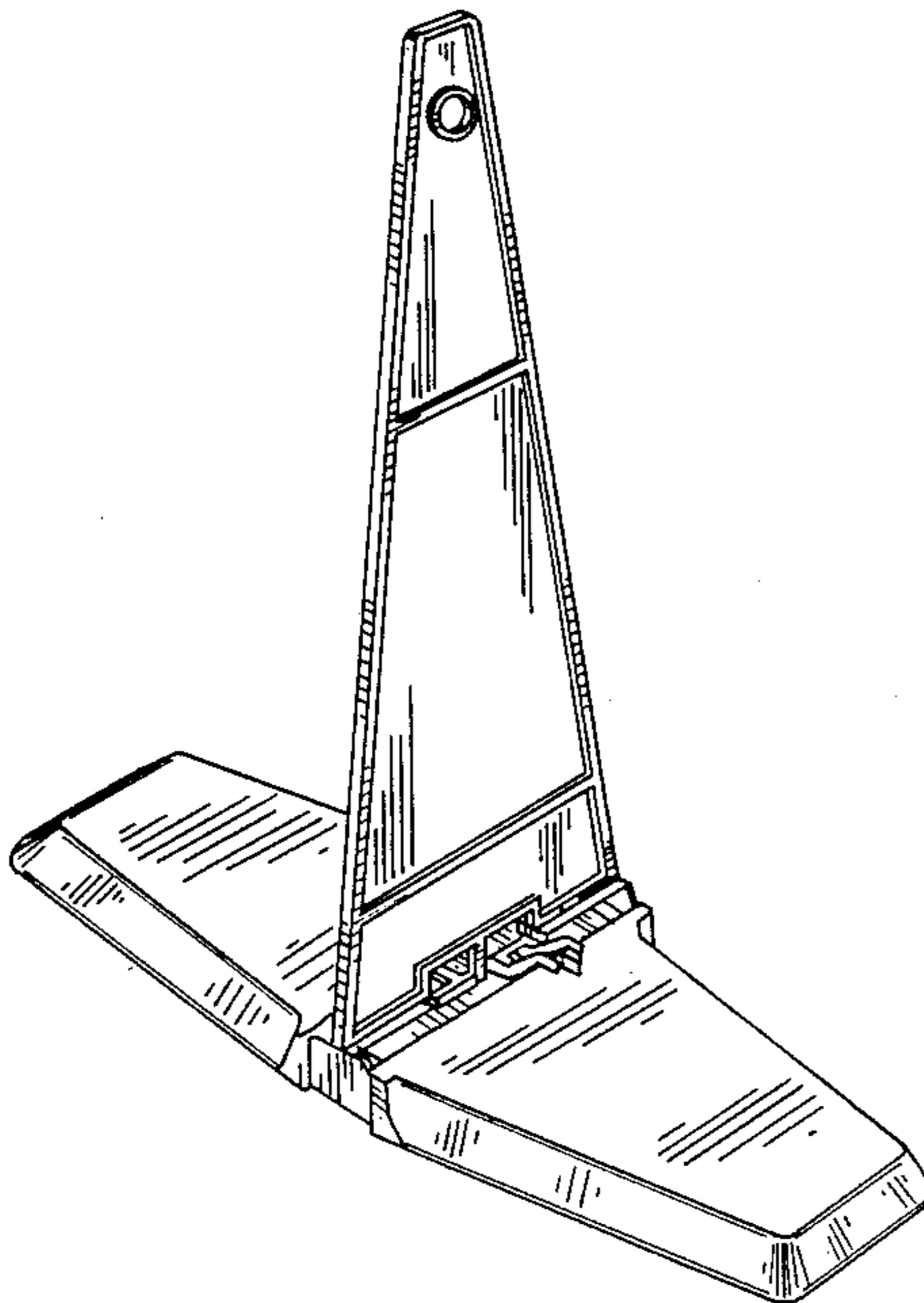


FIG. 1

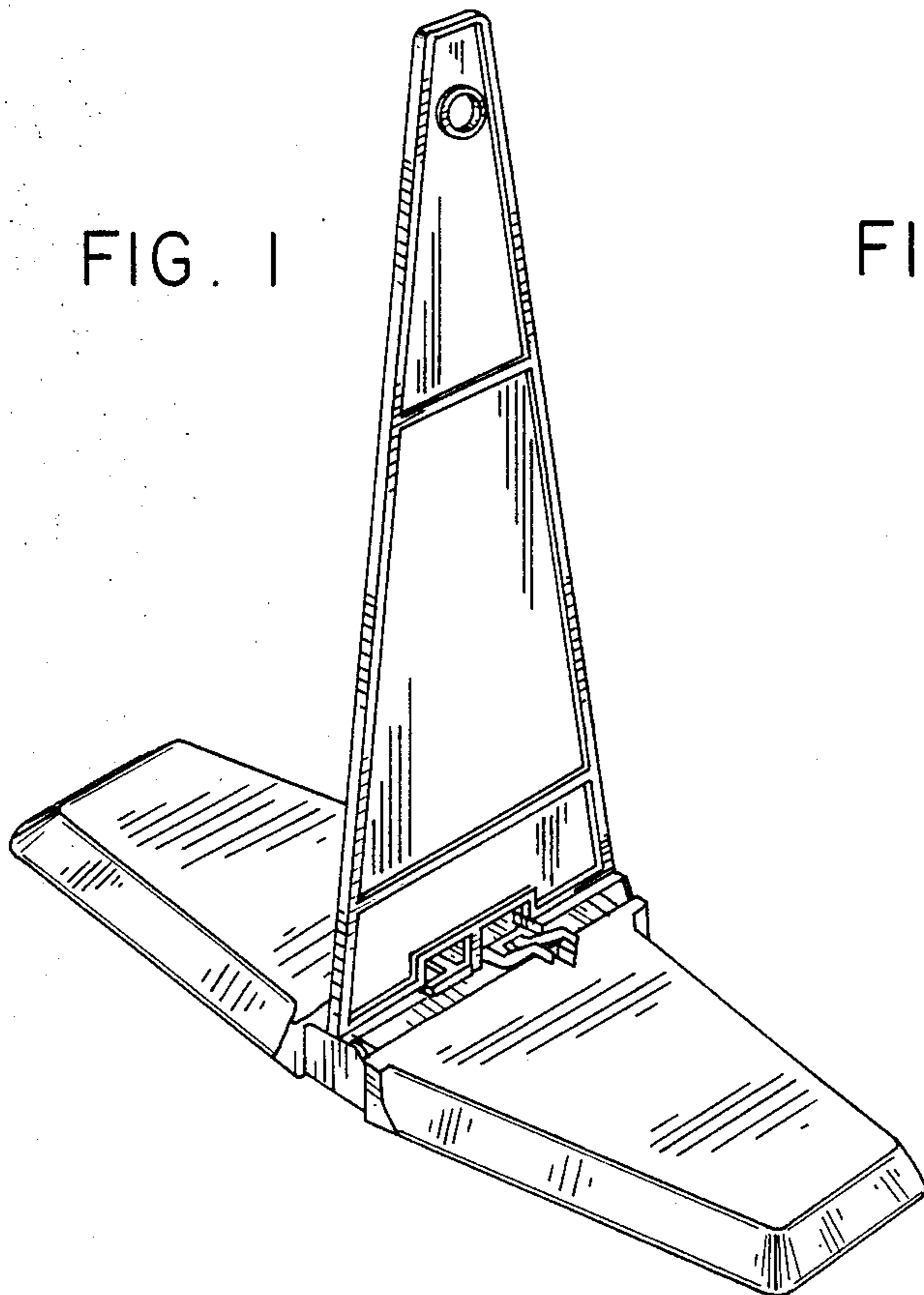


FIG. 2

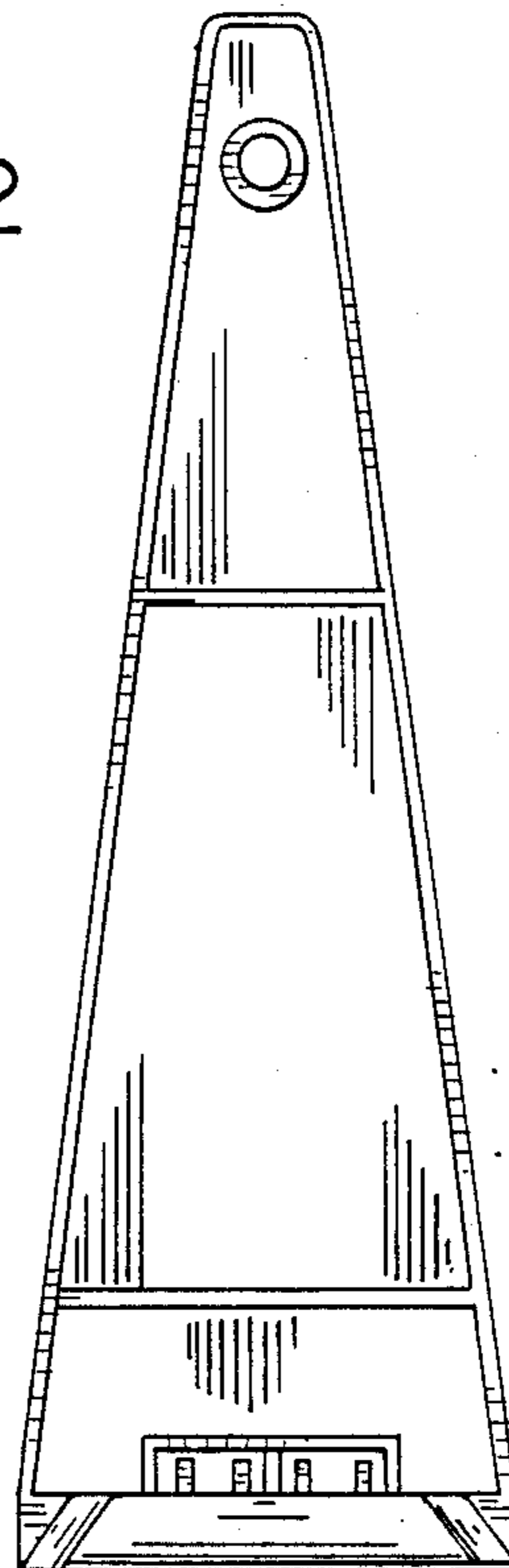
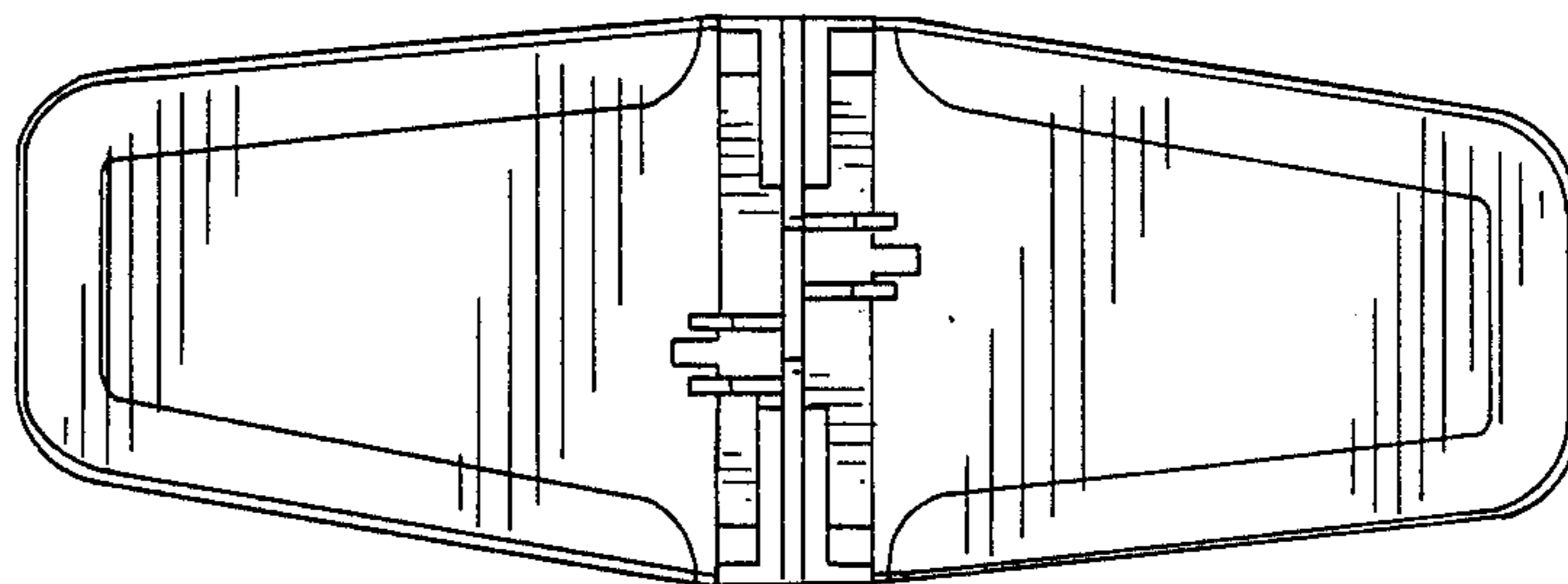


FIG. 3



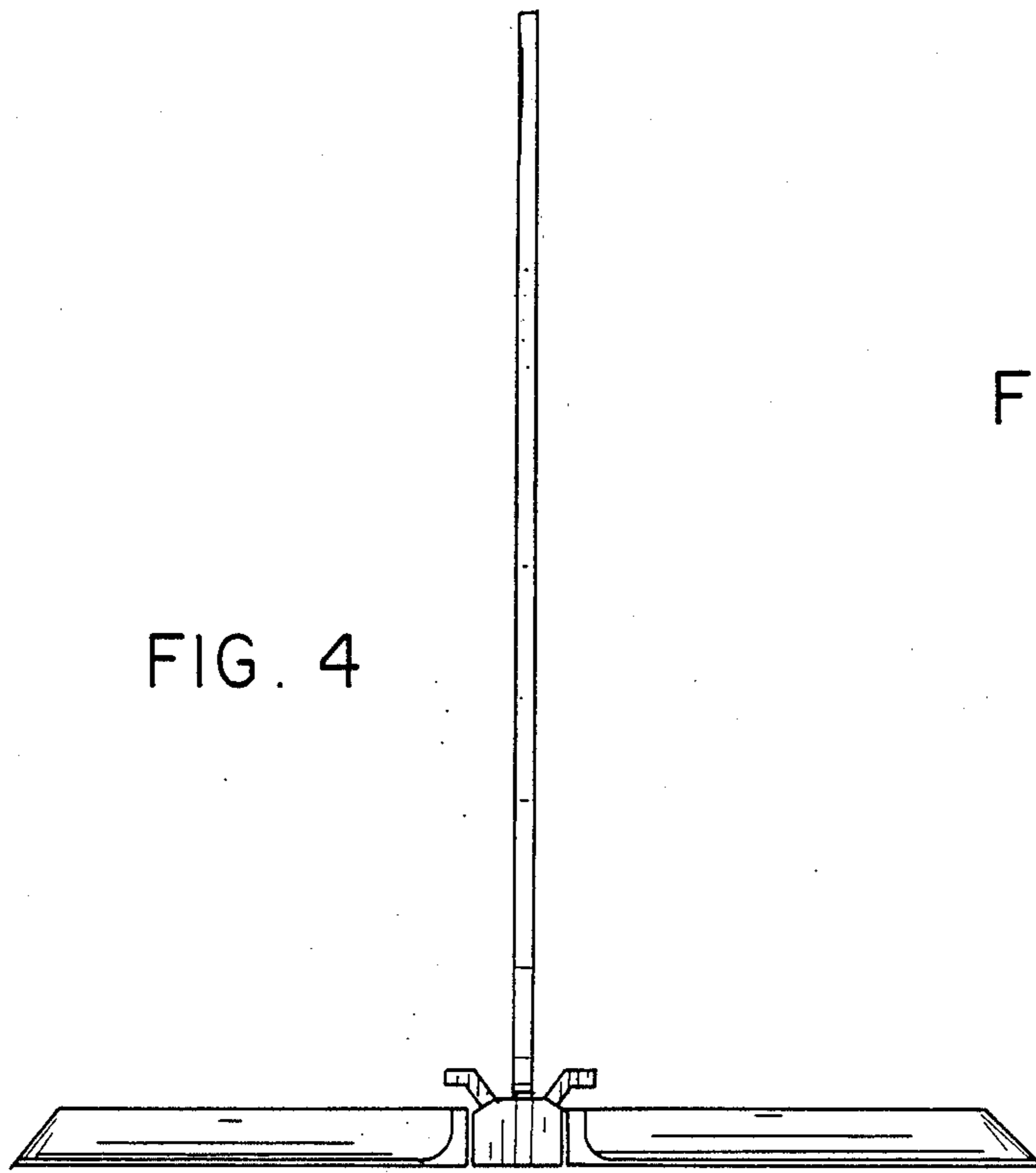


FIG. 4

FIG. 6

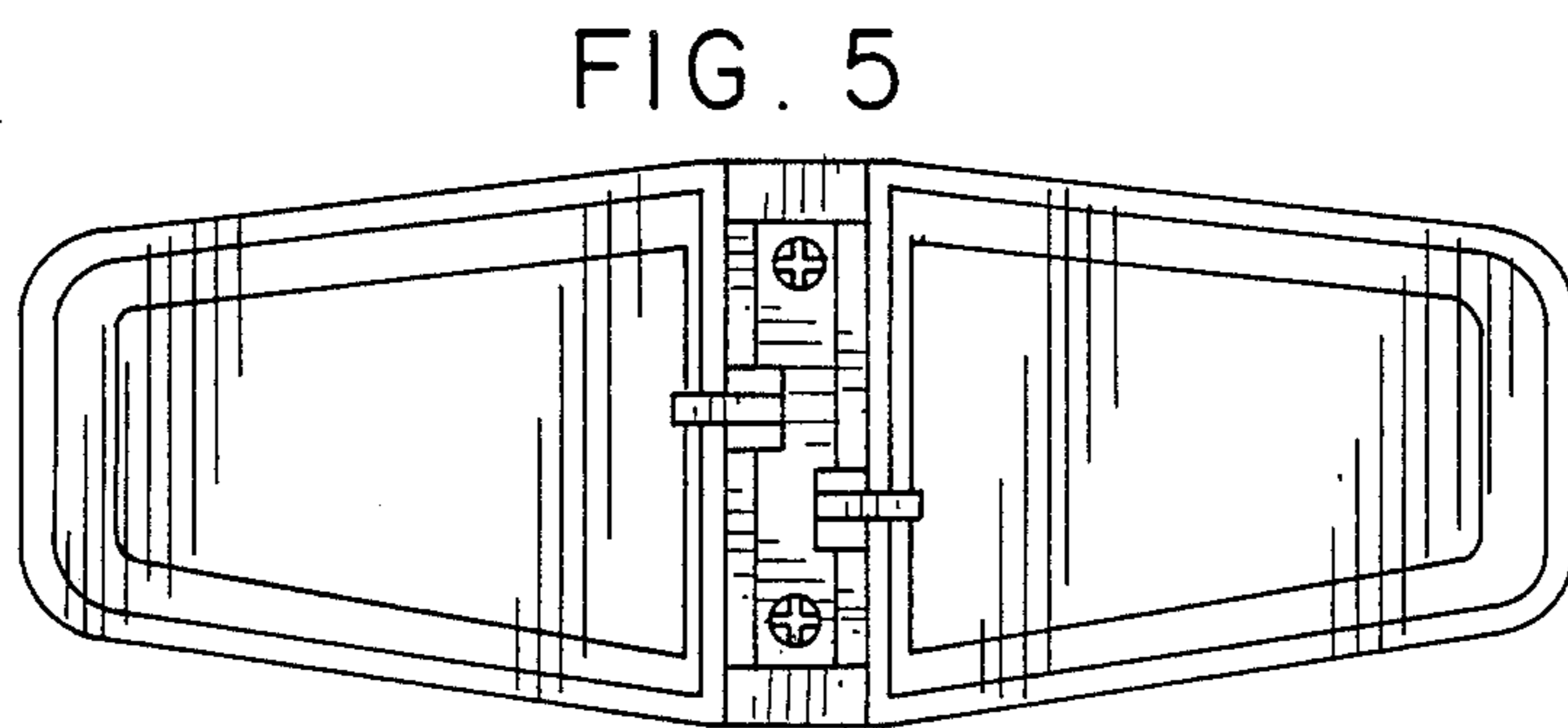
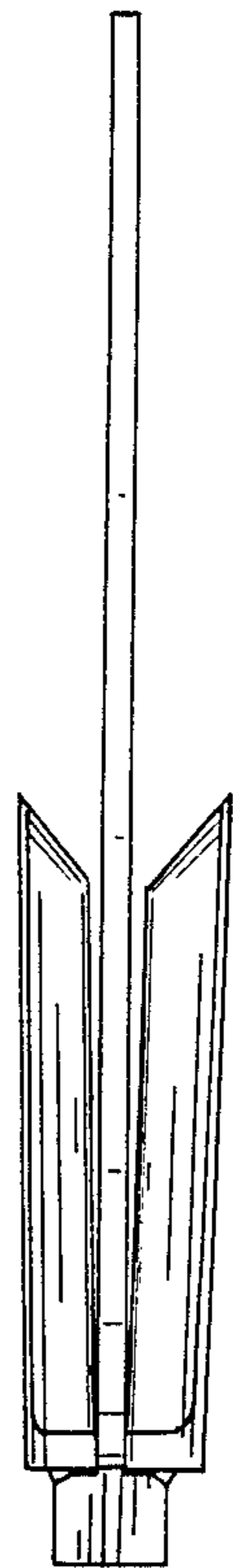


FIG. 5