

# United States Patent [19]

Chemler

[11] Patent Number: **Des. 309,259**

[45] Date of Patent: **\*\* Jul. 17, 1990**

[54] CONTAINER BODY FOR LIQUIDS OR THE LIKE

[75] Inventor: Susan W. S. Chemler, Naperville, Ill.

[73] Assignee: Continental Plastic Containers, Inc., Norwalk, Conn.

[\*\*] Term: 14 Years

[21] Appl. No.: 214,620

[22] Filed: Jul. 1, 1988

[52] U.S. Cl. .... D9/376

[58] Field of Search ..... D9/376, 375, 378, 374, D9/373; 215/1 R, 1 C, 100 A

[56] **References Cited**

**U.S. PATENT DOCUMENTS**

|            |        |                    |        |
|------------|--------|--------------------|--------|
| D. 257,952 | 1/1981 | Torongo, Jr. ....  | D9/376 |
| D. 278,030 | 3/1985 | Drummond .....     | D9/376 |
| D. 282,637 | 2/1986 | Beaver et al. .... | D9/376 |
| D. 289,611 | 5/1987 | Seelig .....       | D9/376 |
| D. 302,947 | 8/1989 | Segati .....       | D9/376 |

4,269,722 5/1981 Joshi et al. .... 215/1 C

*Primary Examiner*—Melvin B. Feifer

*Assistant Examiner*—Lucy Lieberman

*Attorney, Agent, or Firm*—Charles E. Brown; Paul Shapiro; Charles A. Brown

[57] **CLAIM**

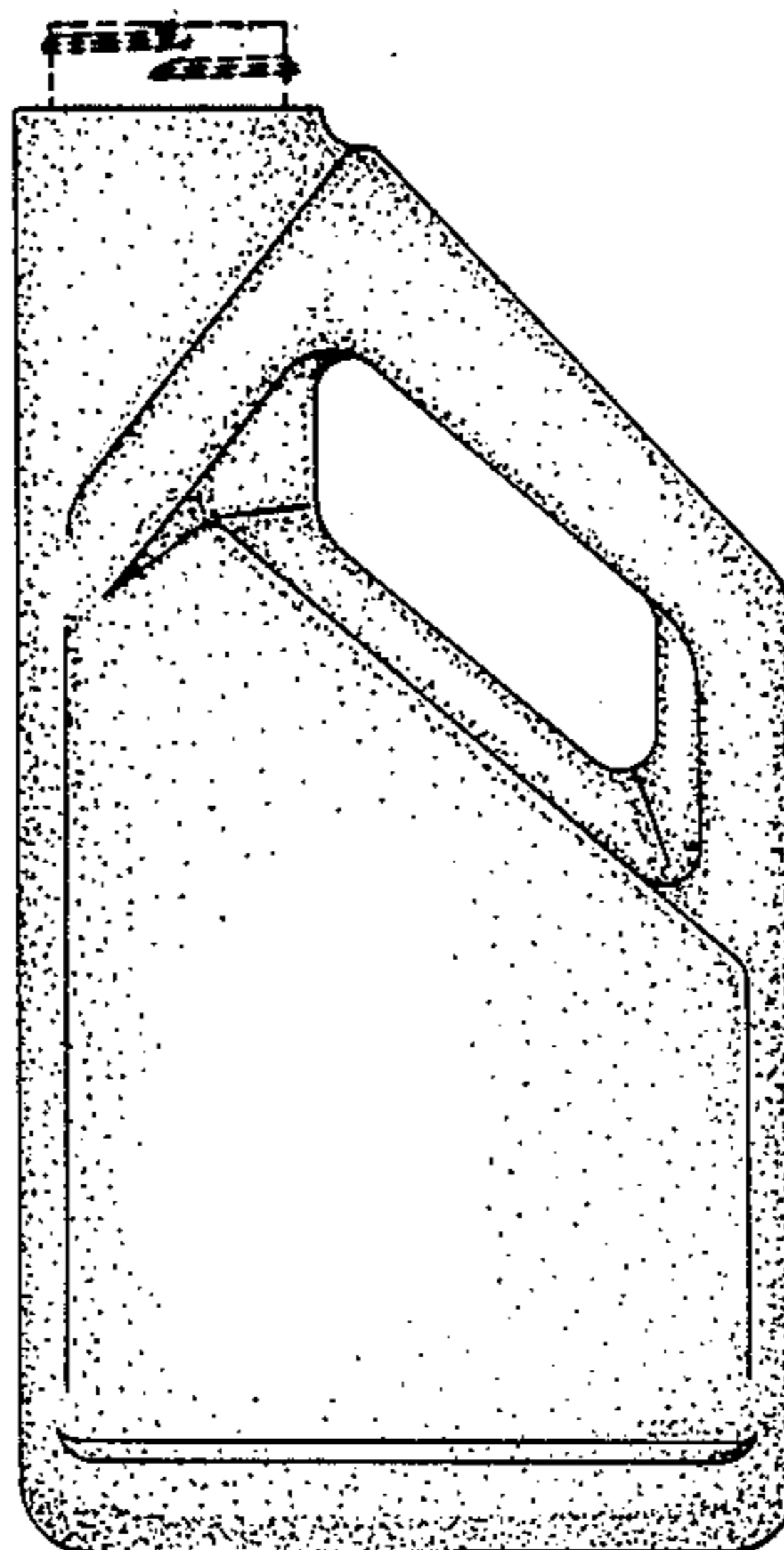
The ornamental design for a container body for liquids or the like, as shown and described.

**DESCRIPTION**

FIG. 1 is a front elevational view of a container body for liquids or the like embodying my new design, the rear elevational view being a mirror image thereto; FIG. 2 is a top plan view of my new design; FIG. 3 is a bottom plan view of my new design; FIG. 4 is a side elevation as seen from the right of FIG. 1; and

FIG. 5 is a side elevation as seen from the left of FIG. 1.

Broken lines showing the neck finish are for the purpose of illustrating the environment of use.



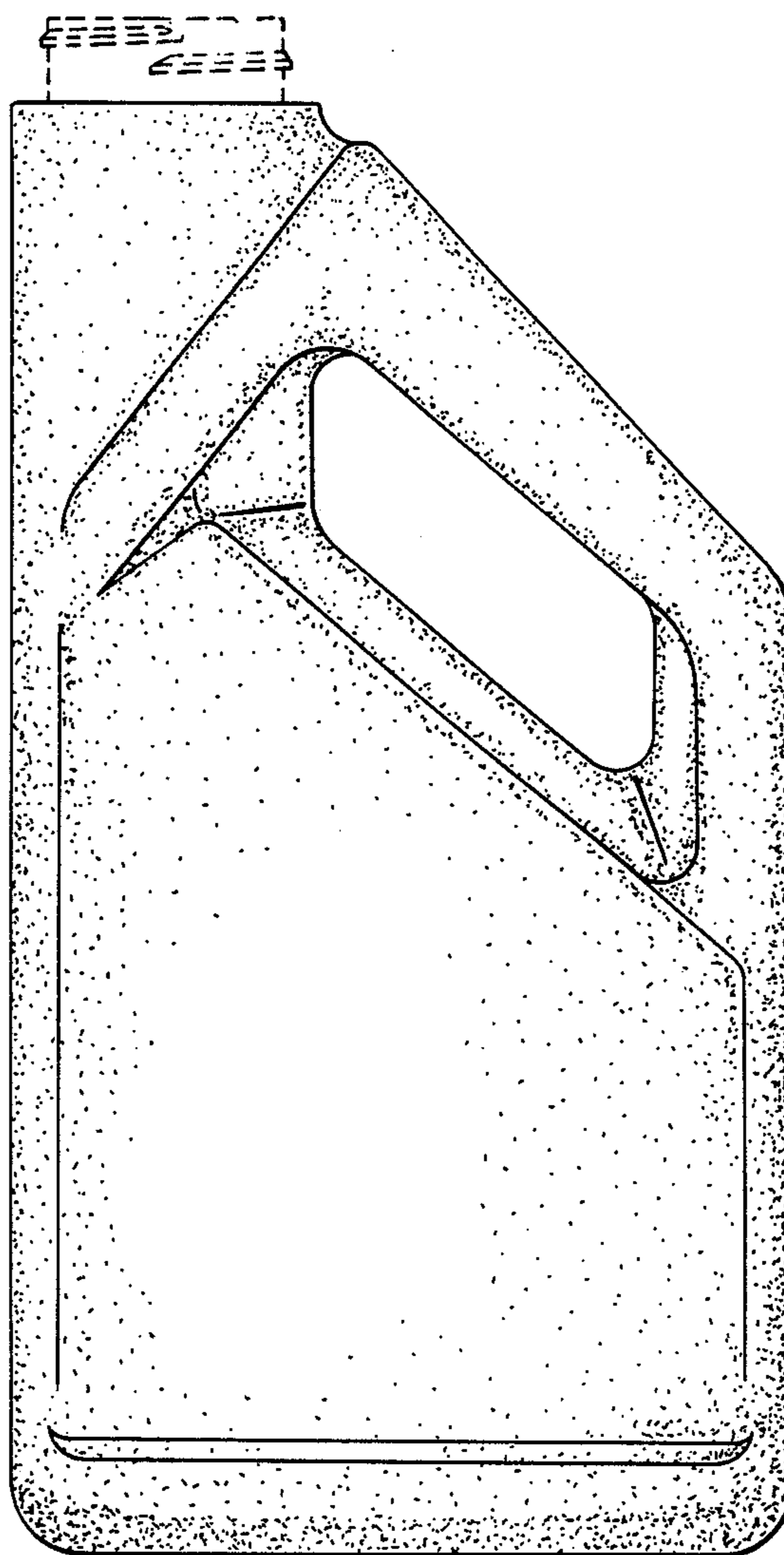


Fig. 1

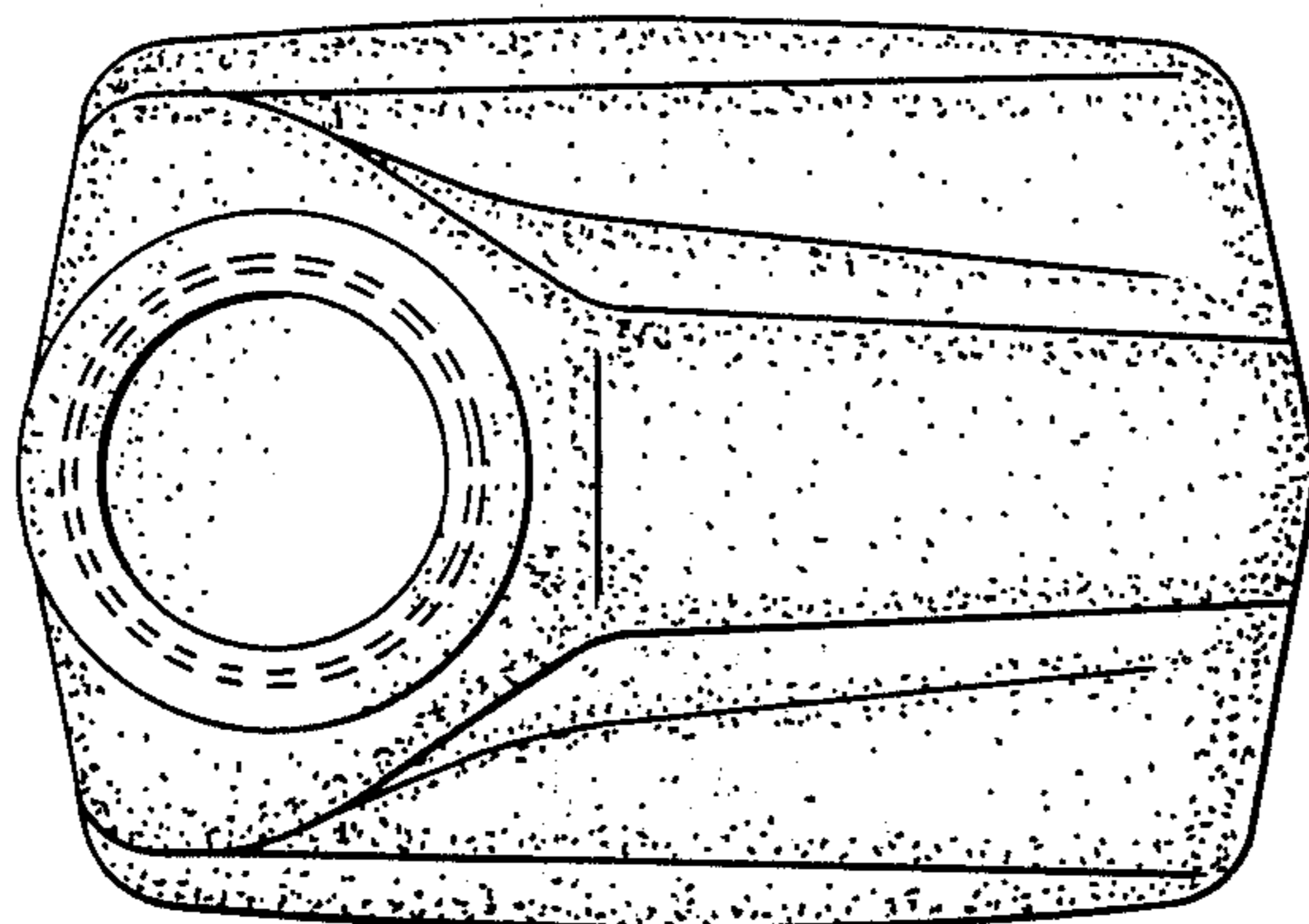


Fig. 2

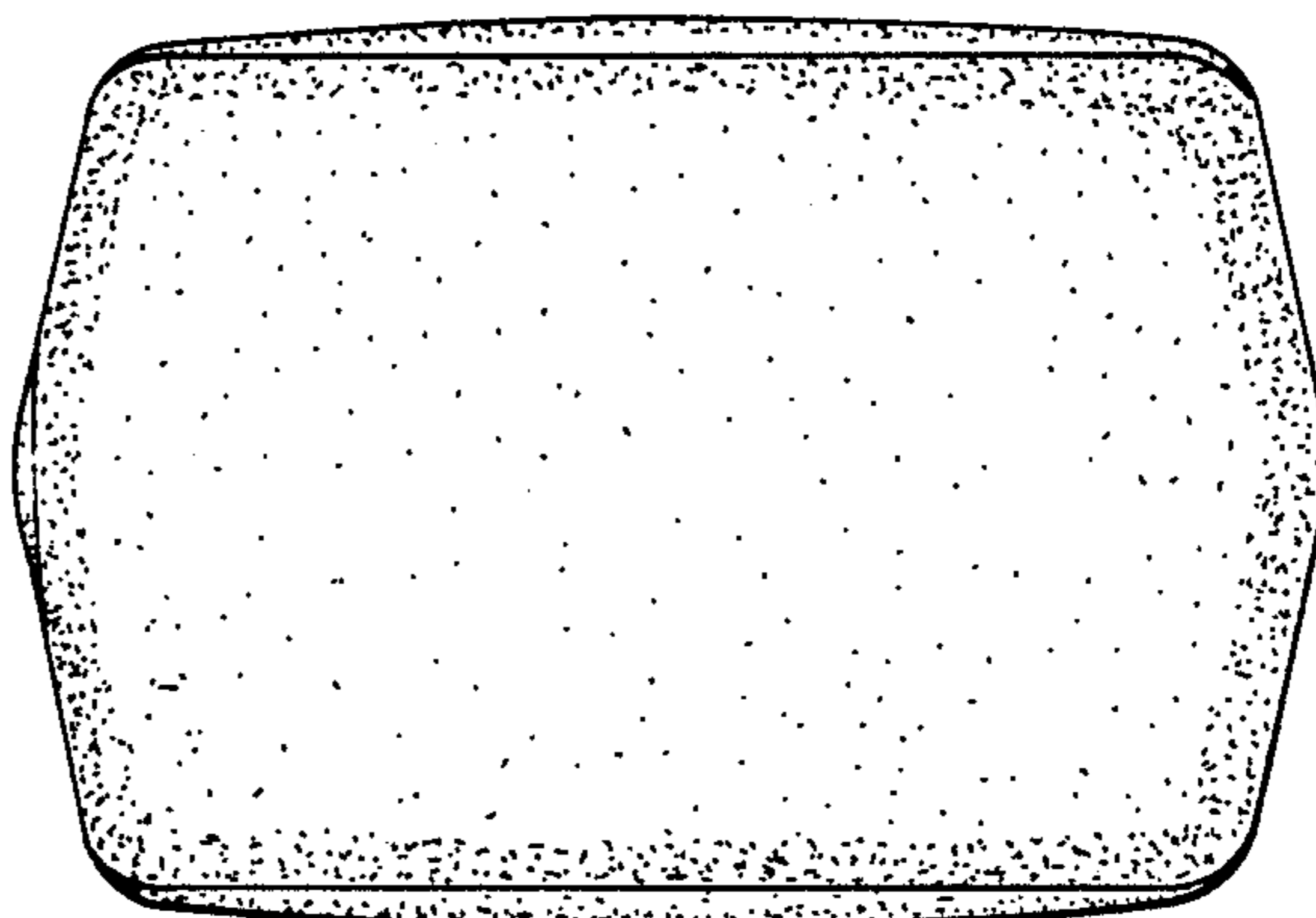


Fig. 3

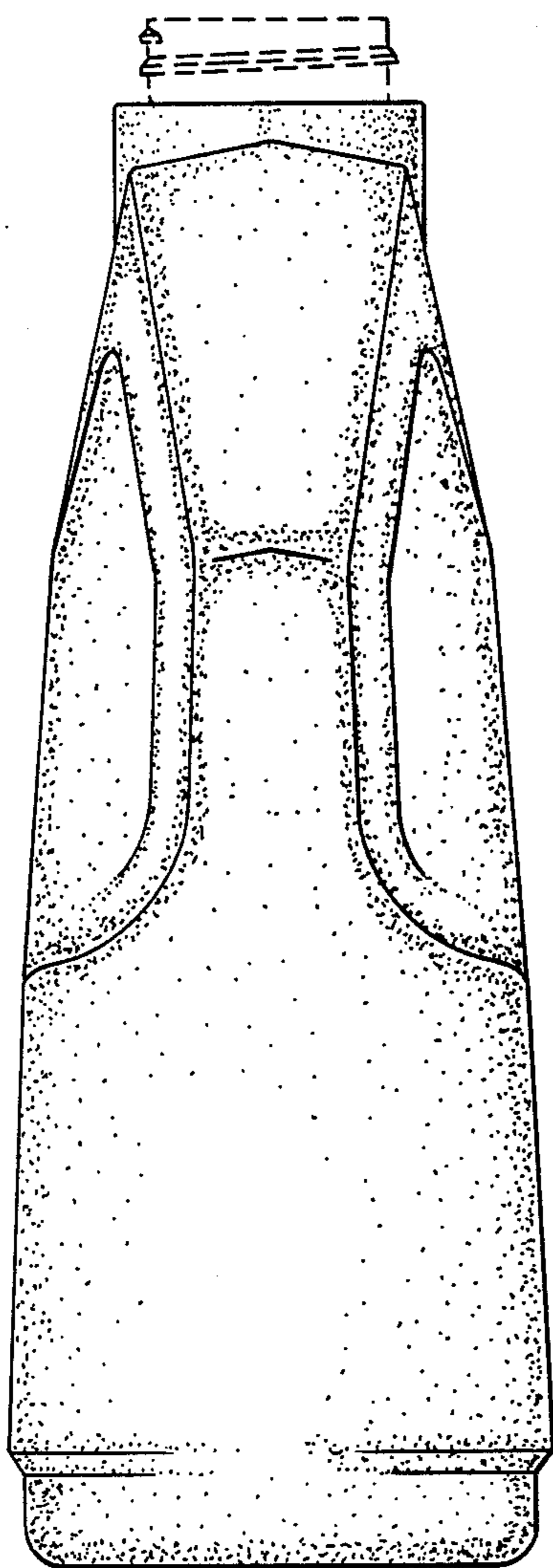


Fig. 4

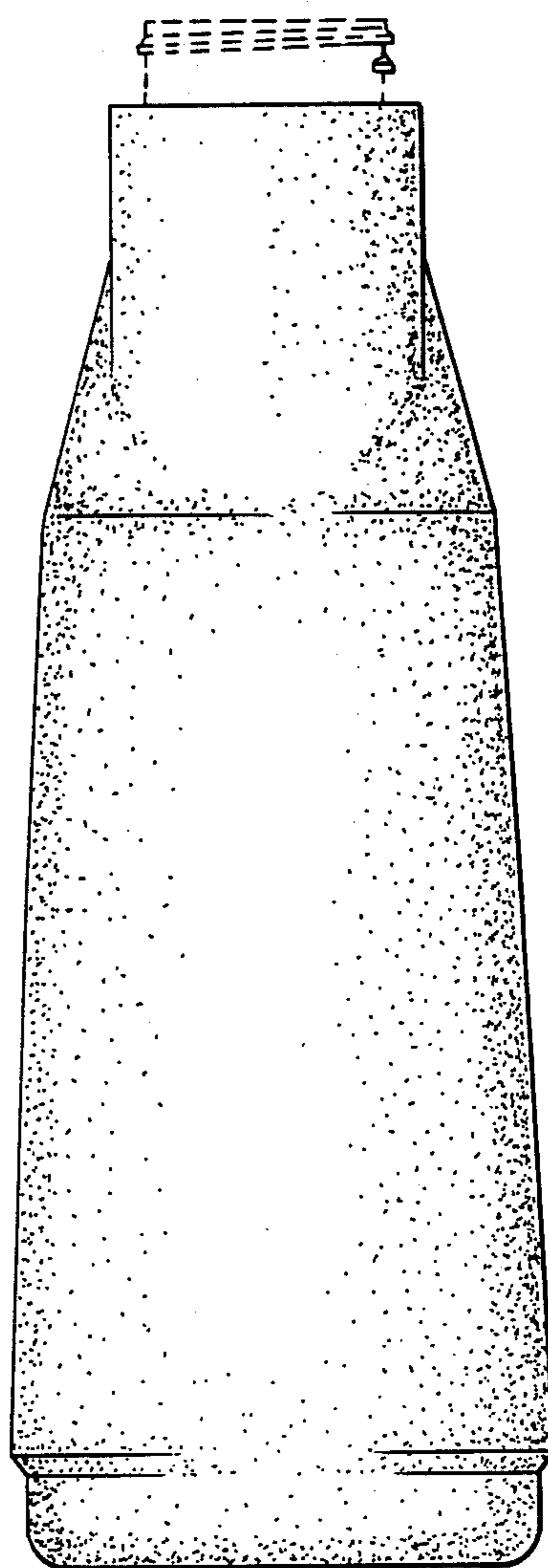


Fig. 5