

[54] **TIE DOWN EYELET**

647811 8/1928 France 296/43

[75] **Inventor: Gerald E. Palmer, New Baltimore, Mich.**

[73] **Assignee: Gerald E. Palmer Enterprises, New Baltimore, Mich.**

[**] **Term: 14 Years**

[21] **Appl. No.: 85,334**

[22] **Filed: Aug. 14, 1987**

[52] **U.S. Cl. D8/367; D8/354**

[58] **Field of Search D8/367, 356, 354; 411/342, 400, 401; 296/43; 410/110, 108, 106, 116, 101; 105/380; 280/143; 114/112, 75, 381; 248/499, 500, 231.91, 317, 339, 343**

[56] **References Cited**

U.S. PATENT DOCUMENTS

D. 193,579	9/1962	Frisch	D8/356
D. 241,117	8/1976	Holtz	D8/367
D. 272,987	3/1984	Allen	D8/354
D. 275,868	10/1984	Ake	D8/367
3,421,726	1/1969	Getter	410/110
3,595,125	7/1971	Jacobs	296/43 X
3,866,873	2/1975	Bohli	D8/354
3,871,637	3/1975	Mueller et al.	248/499
4,191,108	3/1980	Jones	296/43 X
4,319,537	3/1982	Hackney	114/112
4,607,991	8/1986	Porter	296/43 X
4,812,093	3/1989	Millar, Jr.	410/110

FOREIGN PATENT DOCUMENTS

836852	3/1970	Canada	410/101
--------	--------	--------------	---------

OTHER PUBLICATIONS

J. C. Whitney & Co.: Catalog No. 480J; at p. 46, Tie--Down, item 12XJ6241P acts as anchor for tie-down straps.

Wilcox Crittenden Catalog 519, at p. 28, item 901, Single Pad or Lashing Eye.

Primary Examiner—Horace B. Fay, Jr.

Attorney, Agent, or Firm—Basile and Hanlon

[57] **CLAIM**

The ornamental design for a tie down eyelet, as shown and described.

DESCRIPTION

FIG. 1 is a front elevational view of a first embodiment of a tie down eyelet showing my new design, the rear elevational view being a mirror image;

FIG. 2 is a side elevational view thereof, the side opposite being a mirror image;

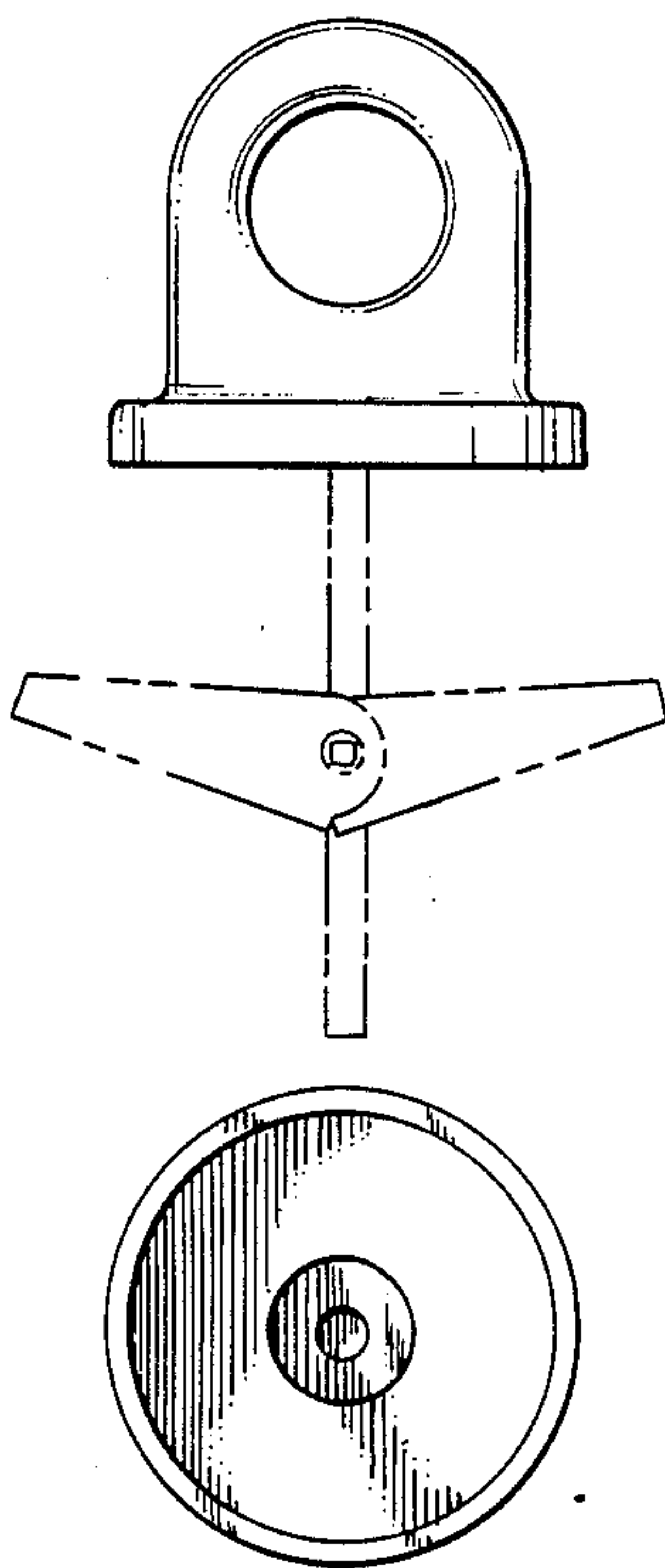
FIGS. 3 and 4 are respectively top and bottom plan views thereof;

FIG. 5 is a front elevational view of a second embodiment thereof; the rear elevational view being a mirror image;

FIG. 6 is a top plan view thereof, the bottom plan view being a mirror image.

The side elevational views of the second embodiment are substantially similar to FIG. 2.

The broken line showing of fastening means in FIG. 1 is for illustrative purposes only and forms no part of the claimed design.



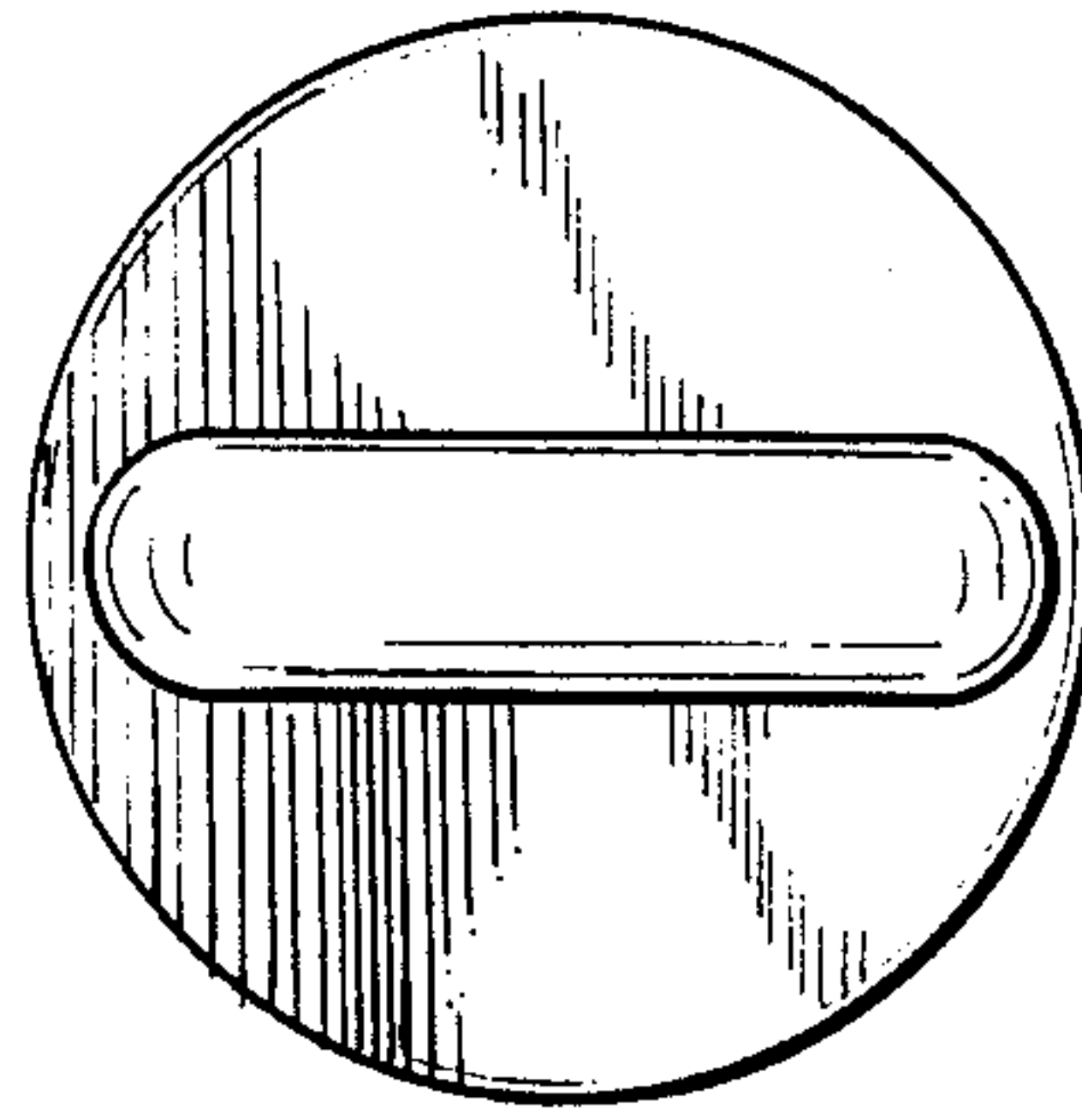


FIG-3

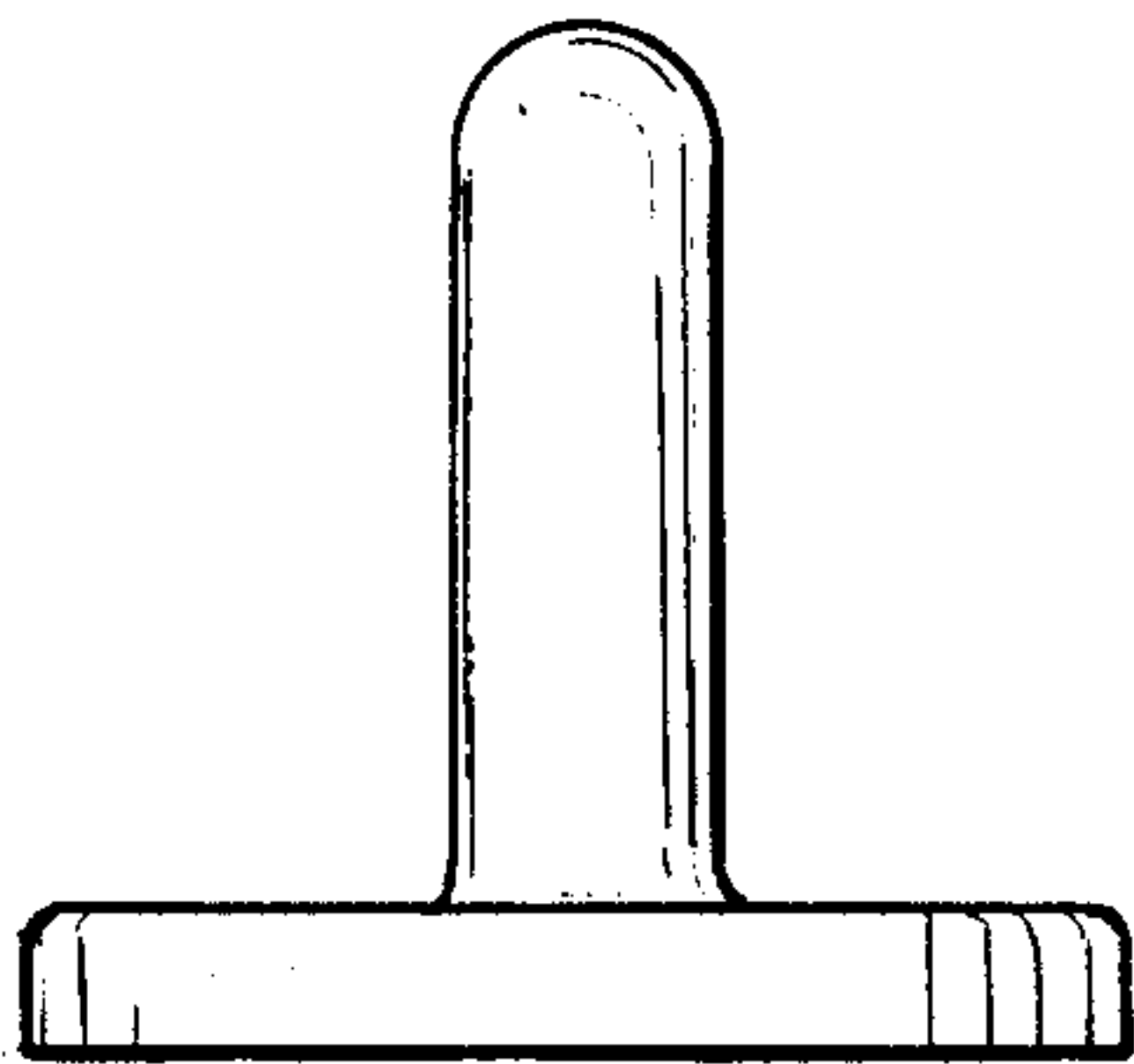


FIG-2

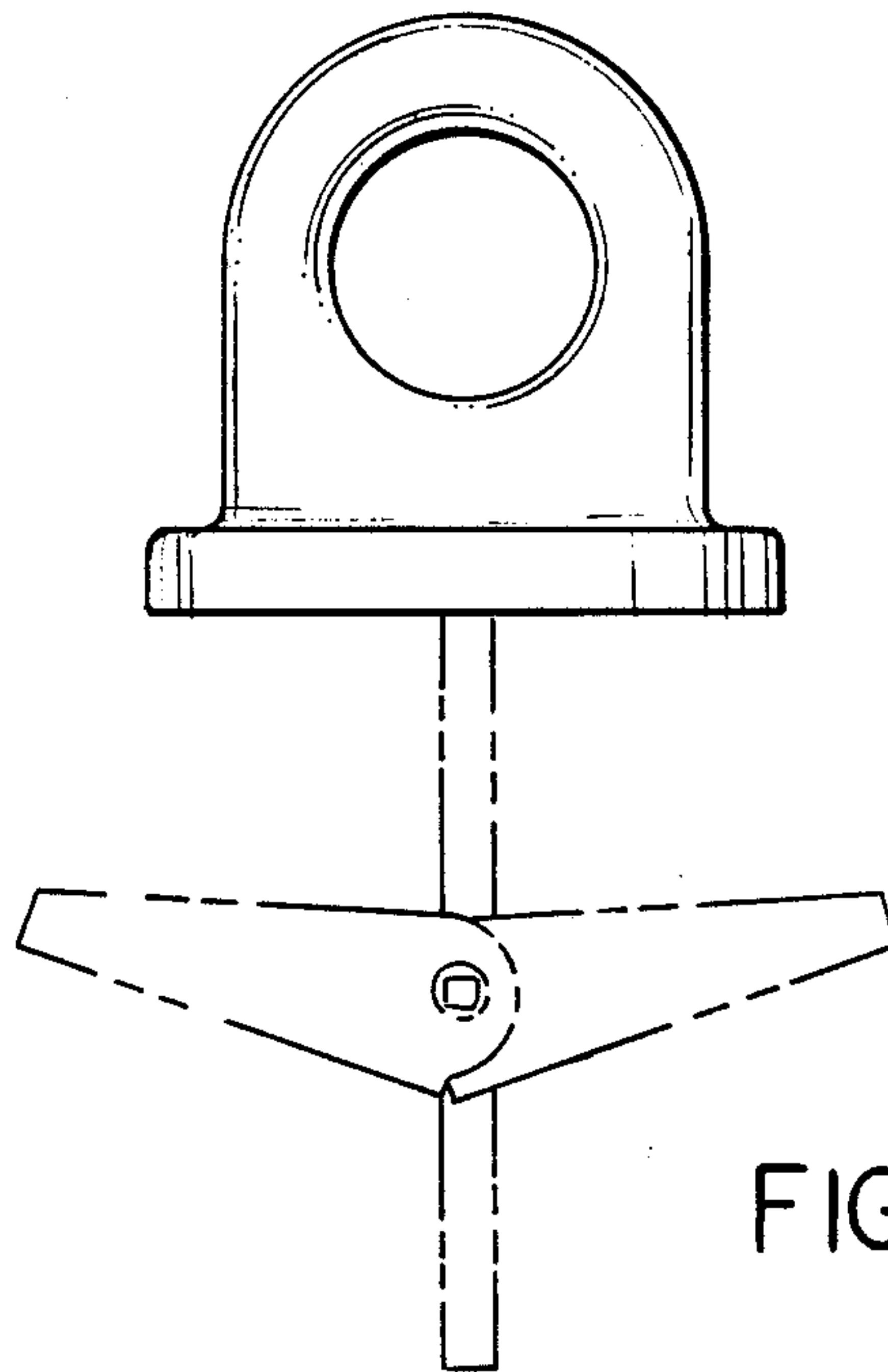


FIG-1

FIG-4

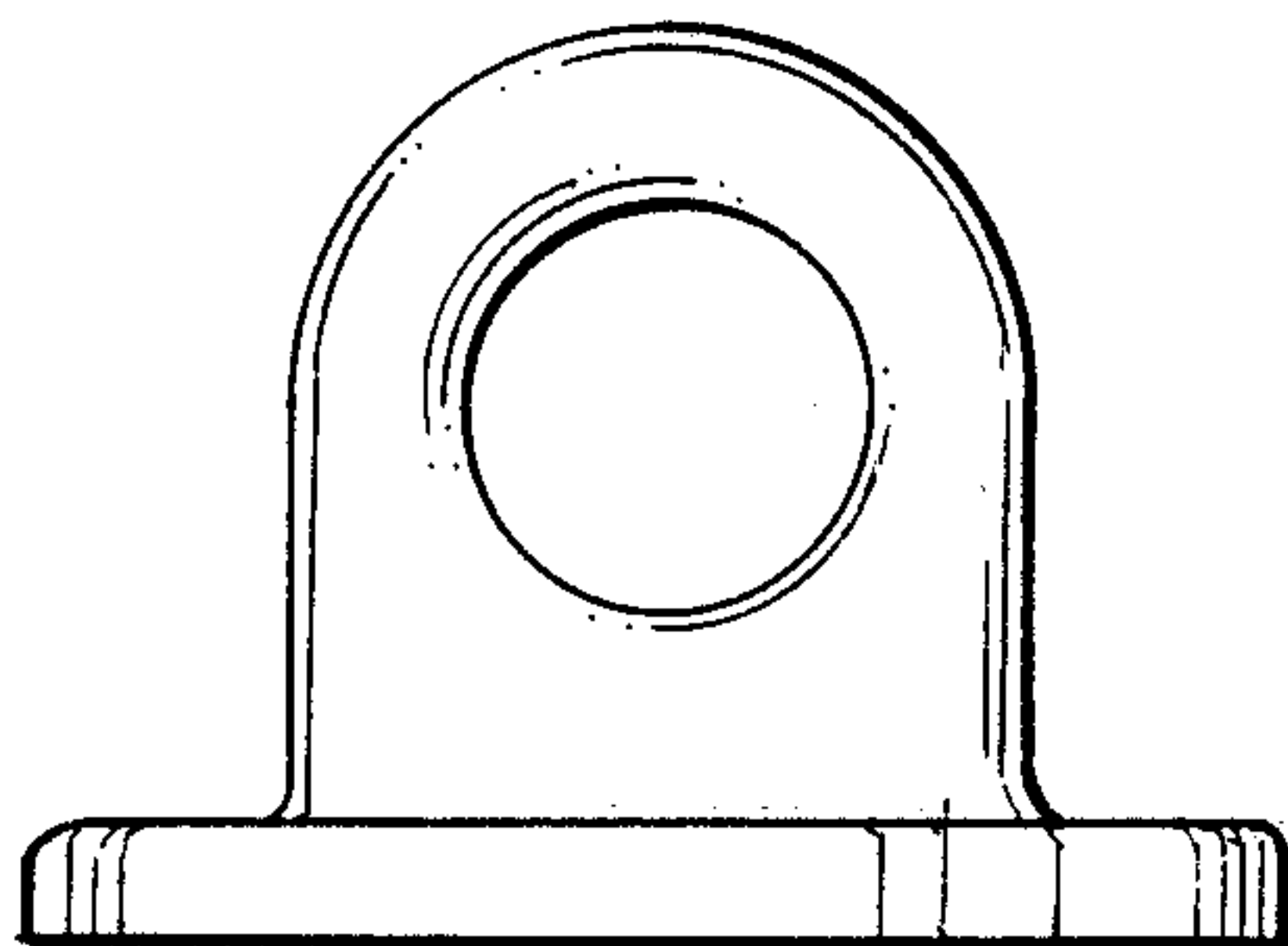
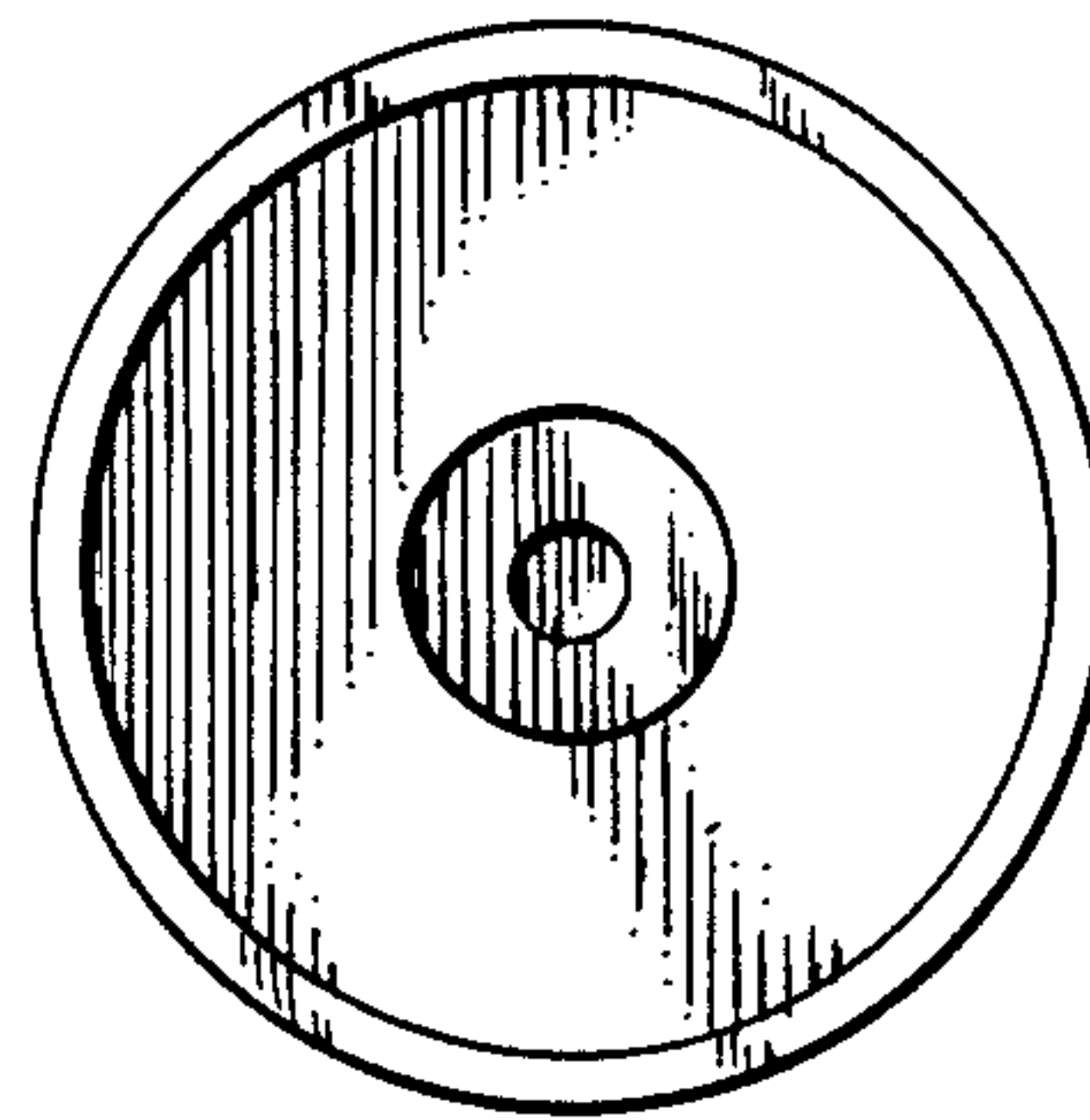


FIG-5

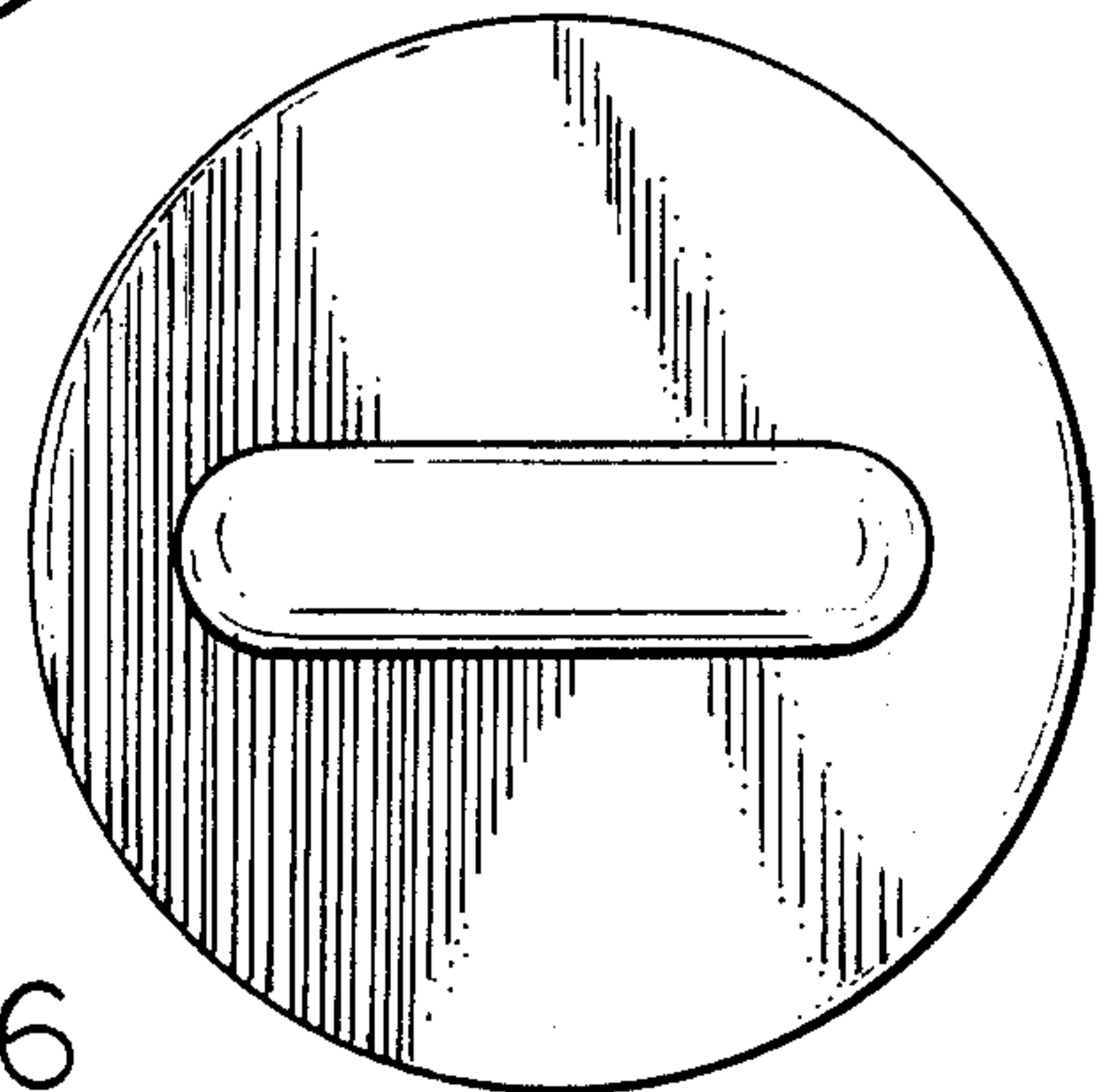


FIG-6