

[54] HASP-TYPE LATCH

[75] Inventor: Walter J. MacFarlane, Kensington, Conn.

[73] Assignee: The Stanley Works, New Britain, Conn.

[**] Term: 14 Years

[21] Appl. No.: 288,801

[22] Filed: Dec. 22, 1988

[52] U.S. Cl. D8/338; D8/345

[58] Field of Search D8/330-331, D8/336, 338, 345; 292/281, 285, 340, 341.14; 70/2, 5, 7, 13, 133, 136, 138-139, 119, 312; 222/470

[56] References Cited

U.S. PATENT DOCUMENTS

511,933	1/1894	Cottier	292/285
906,528	12/1908	Hulbert	292/285
1,195,493	8/1916	Nedrow	222/470 X
1,992,734	2/1935	Bittorf	292/340

OTHER PUBLICATIONS

Hardware Age-insert (7/15/68), p. 1, Locking Hasp "A".

Slaymaker catalogue (1985), p. 12, Locking Hasp #BL138.

Eberhard catalogue (1985), p. 15, section 3, Hinge #5867.

Home Security (1979), p. 129, Hasp Lock.

Primary Examiner—Wallace R. Burke

Assistant Examiner—Brian N. Vinson

[57] CLAIM

The ornamental design for a hasp-type latch, as shown and described.

DESCRIPTION

FIG. 1 is a perspective view of a hasp-type latch showing my new design;

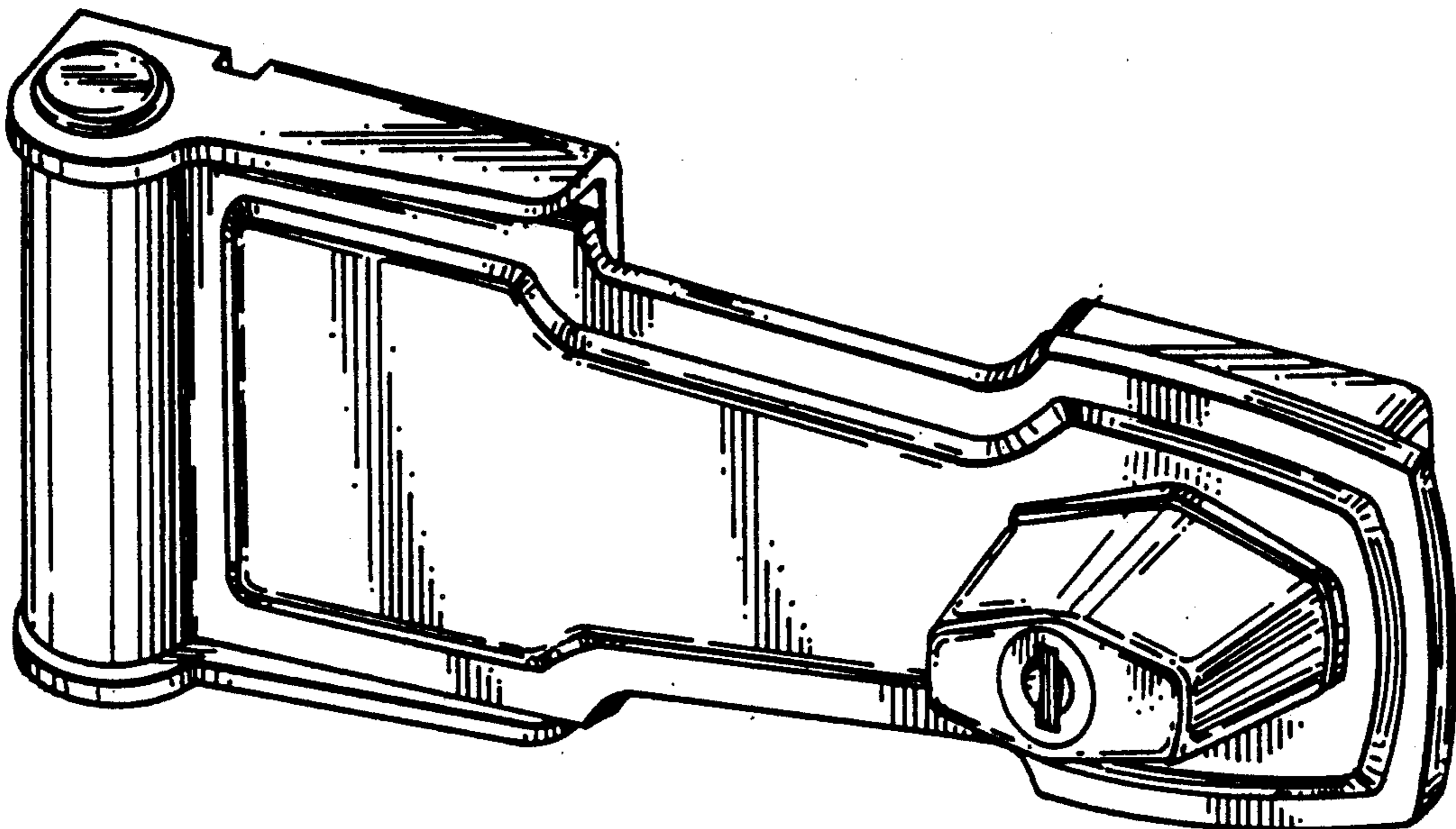
FIG. 2 is a front elevational view thereof;

FIG. 3 is a bottom plan view thereof, the top being a mirror image;

FIG. 4 is a rear elevational view thereof;

FIG. 5 is a left side elevational view thereof; and

FIG. 6 is right side elevational view thereof.



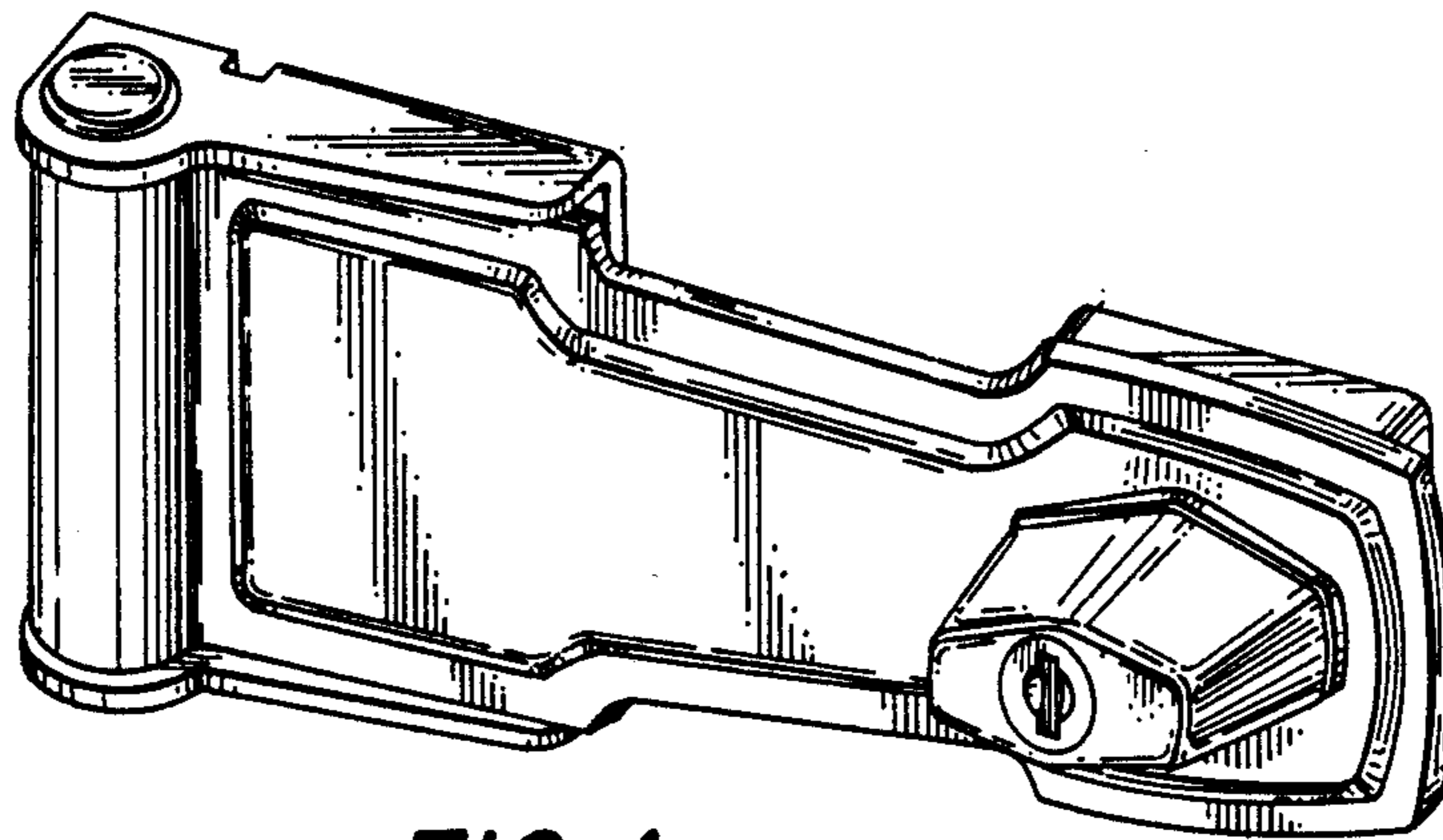


FIG. 1

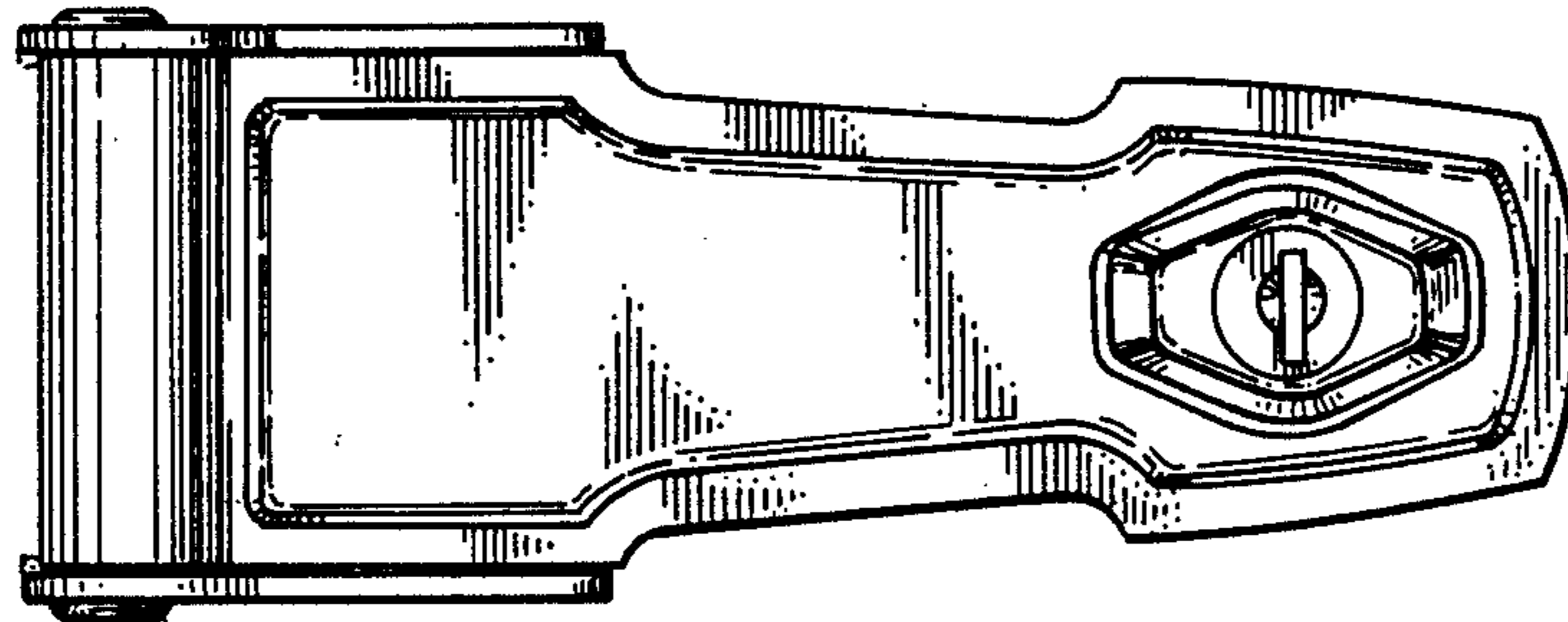


FIG. 2

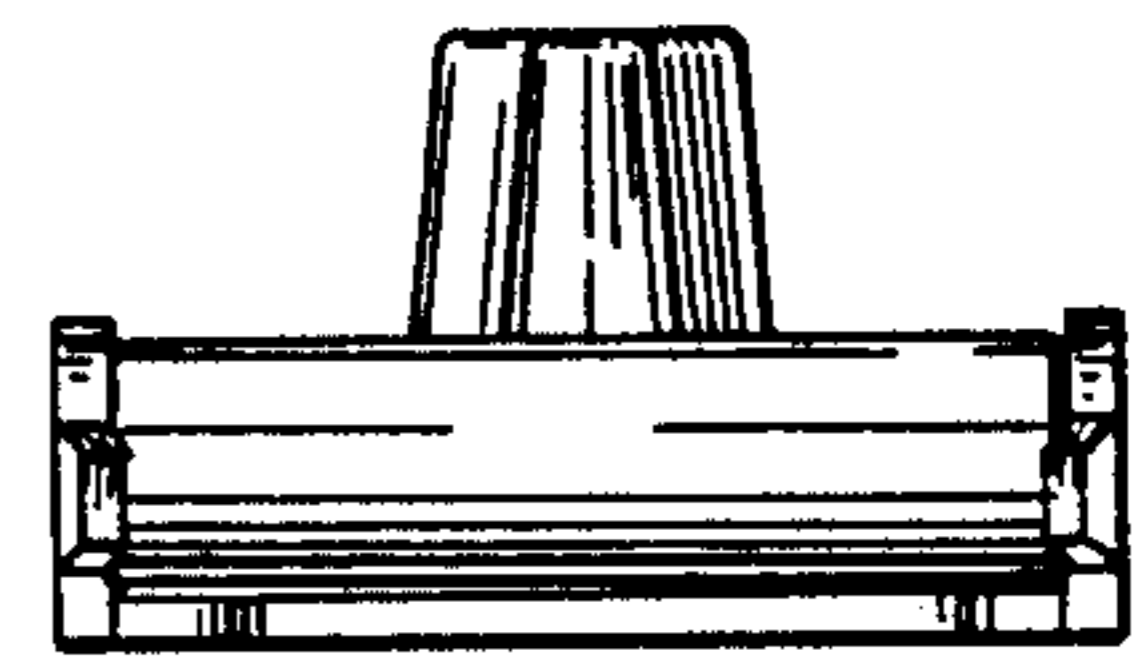


FIG. 5



FIG. 3

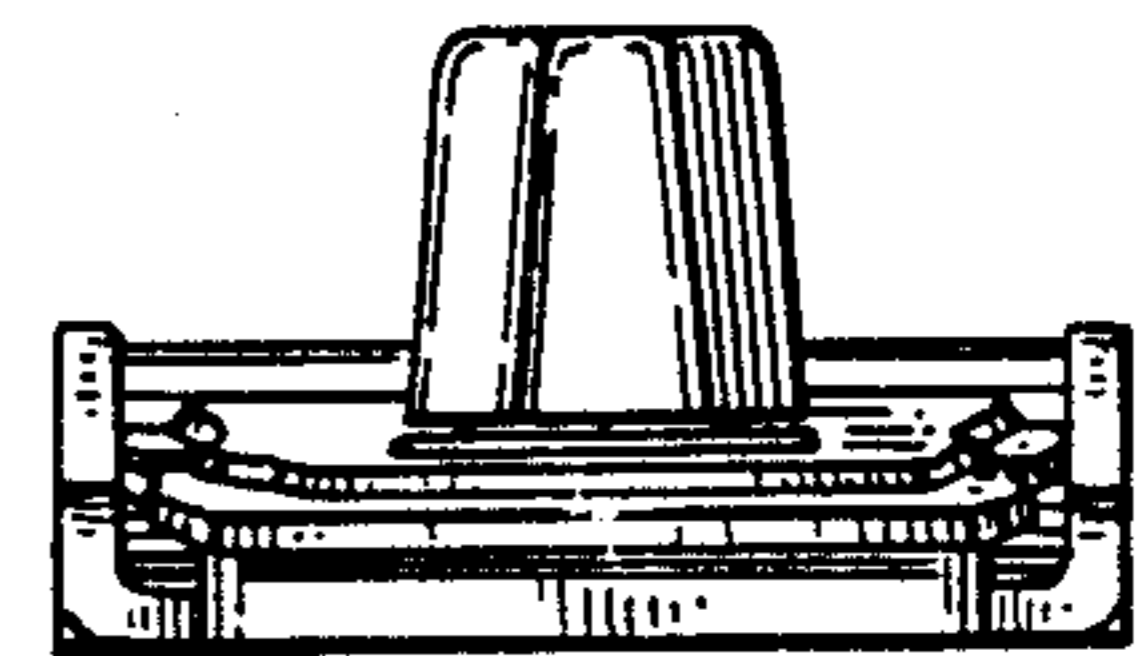


FIG. 6

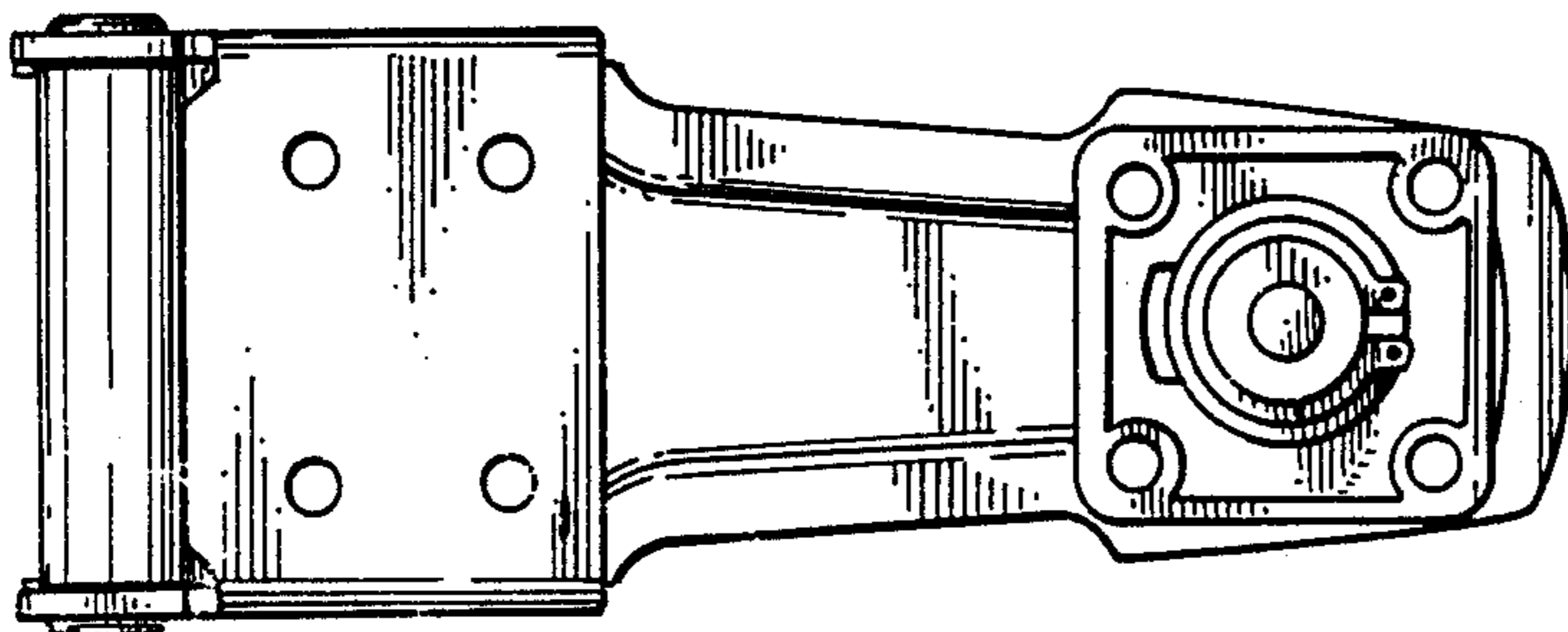


FIG. 4