

United States Patent [19]
Griffin

[11] **Patent Number: Des. 309,240**

[45] **Date of Patent: ** Jul. 17, 1990**

[54] **CONDIMENT GRINDER**

[75] **Inventor: Anthony H. Griffin, Lower Froyle, England**

[73] **Assignee: Cole & Mason Limited, Hampshire, England**

[**] **Term: 14 Years**

[21] **Appl. No.: 40,329**

[22] **Filed: Apr. 20, 1987**

[30] **Foreign Application Priority Data**

Oct. 24, 1986 [GB] United Kingdom 1037602

[52] **U.S. Cl. D7/679**

[58] **Field of Search D7/52-58, D7/372-373; 222/142.1-142.9; 241/168, 169, 169.1**

[56] **References Cited**

U.S. PATENT DOCUMENTS

D. 259,090 5/1981 Cowan D7/53
D. 284,252 6/1986 Lichtenvort D7/53

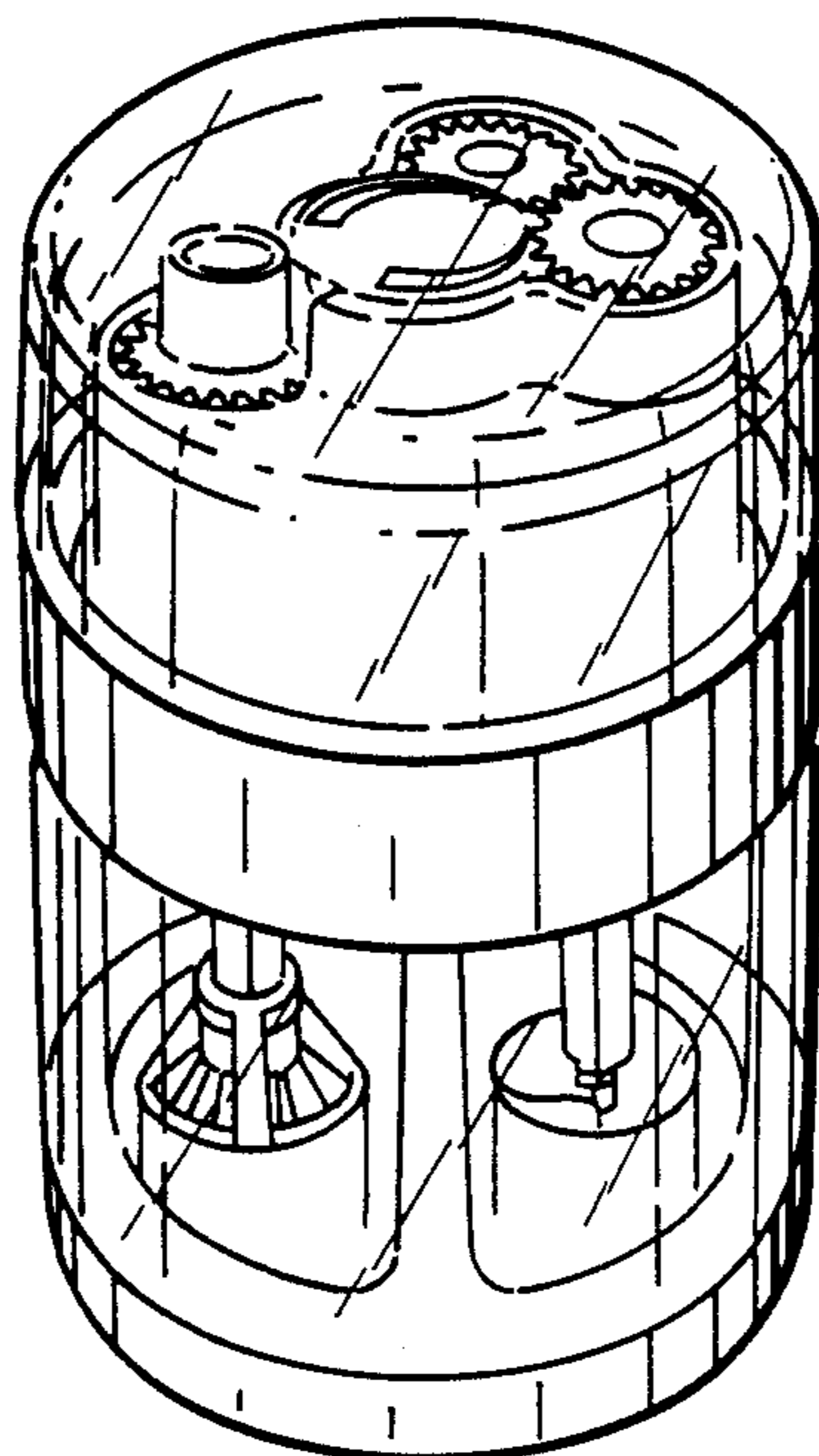
Primary Examiner—Bernard Ansher
Assistant Examiner—Terry A. Pfeffer
Attorney, Agent, or Firm—Lowe, Price, LeBlanc Becker & Shur

[57] **CLAIM**

The ornamental design for a condiment grinder, as shown.

DESCRIPTION

FIG. 1 is a top perspective view of a condiment grinder showing my new design;
FIG. 2 is a side elevation view thereof;
FIG. 3 is a top plan view thereof; and
FIG. 4 is a bottom plan view thereof.



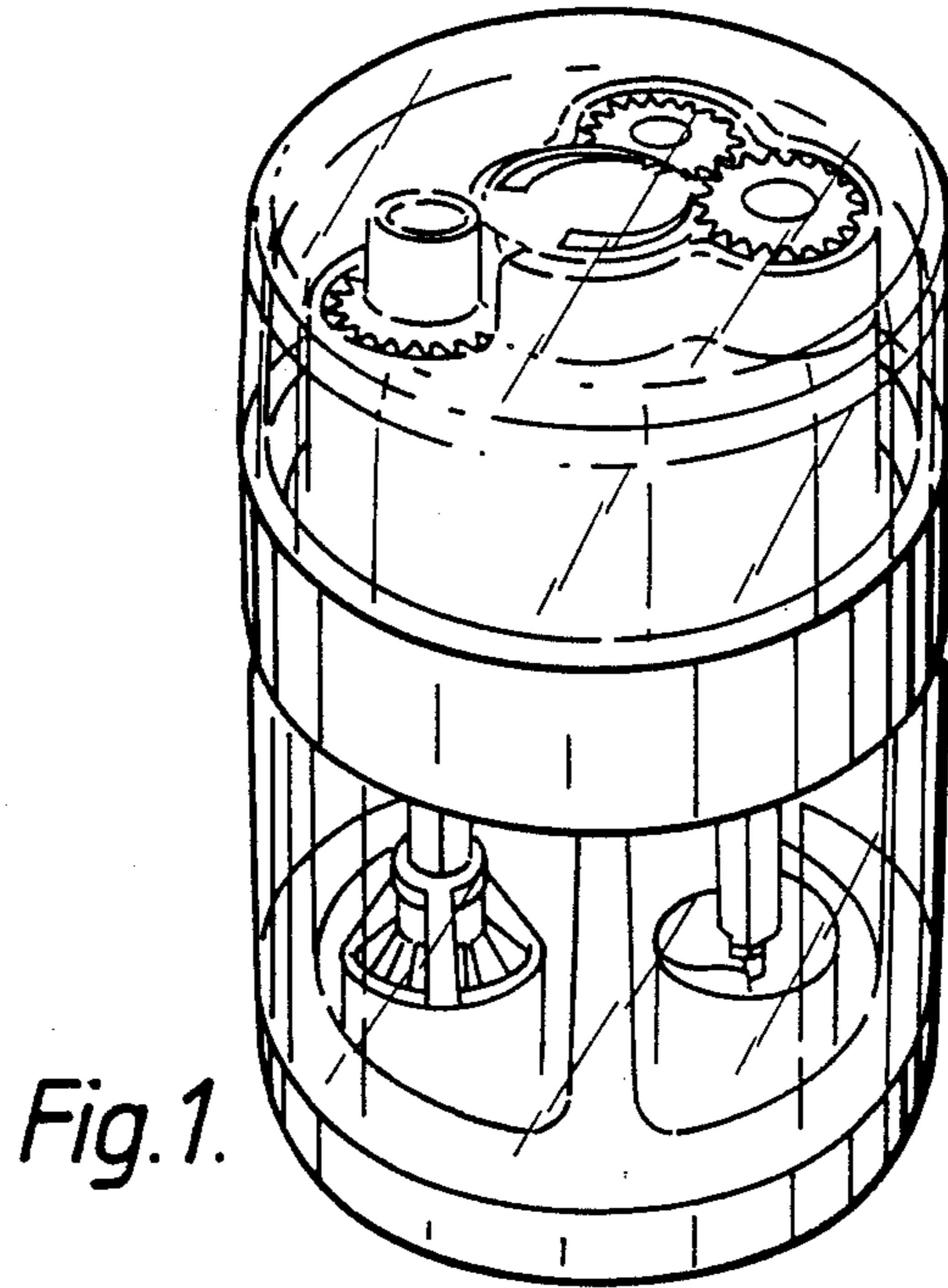


Fig. 1.

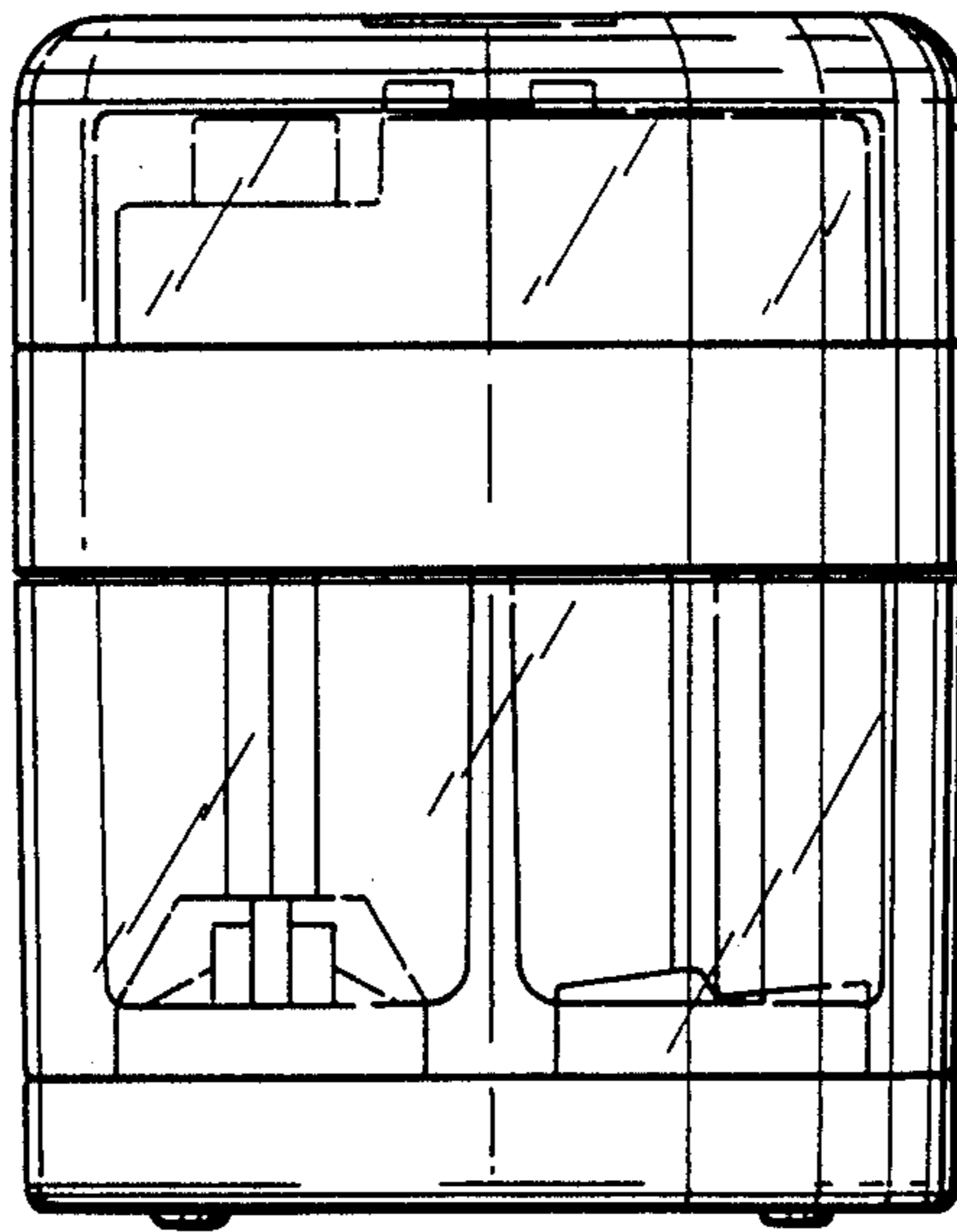


Fig. 2.

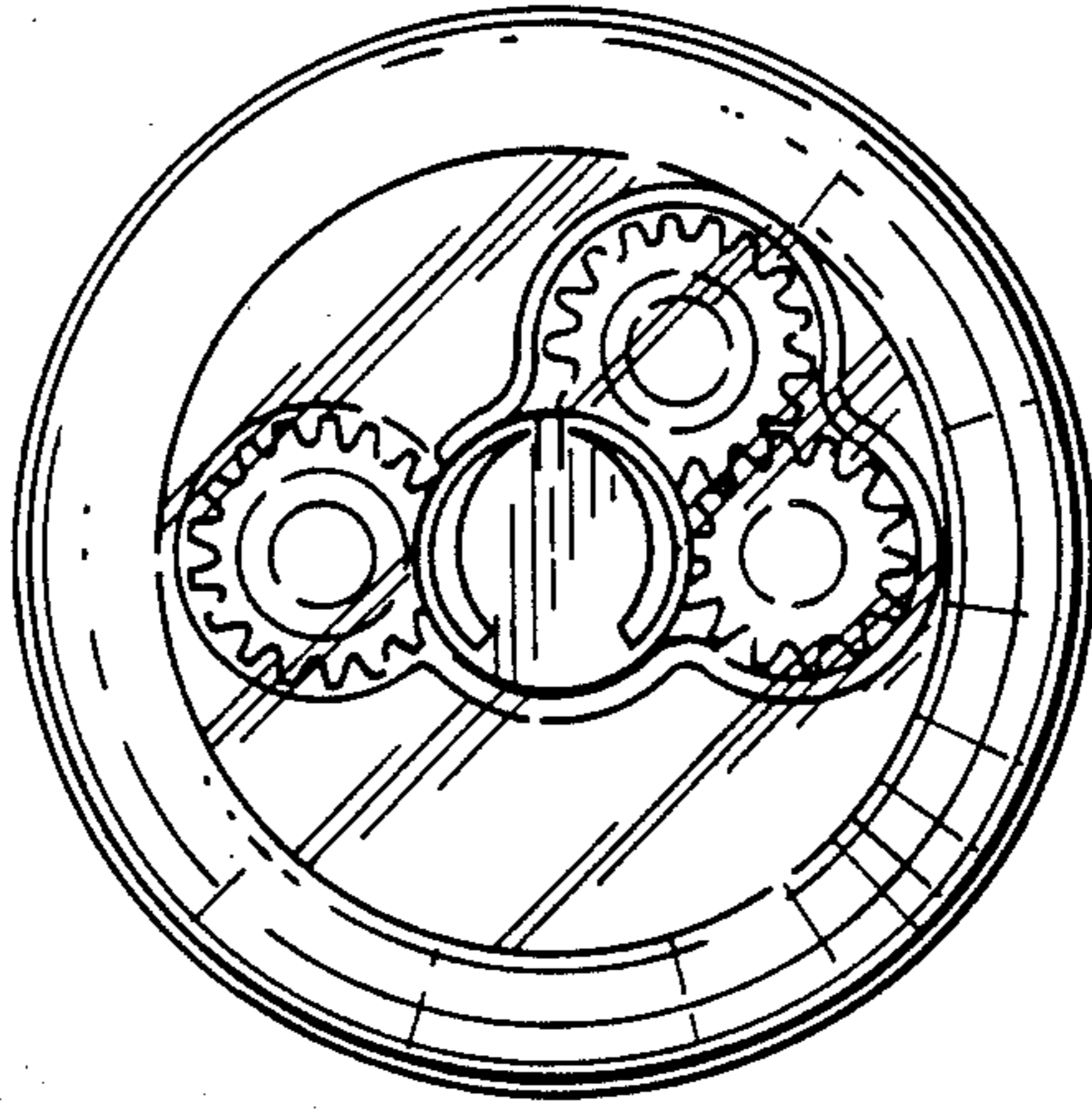


Fig. 3.

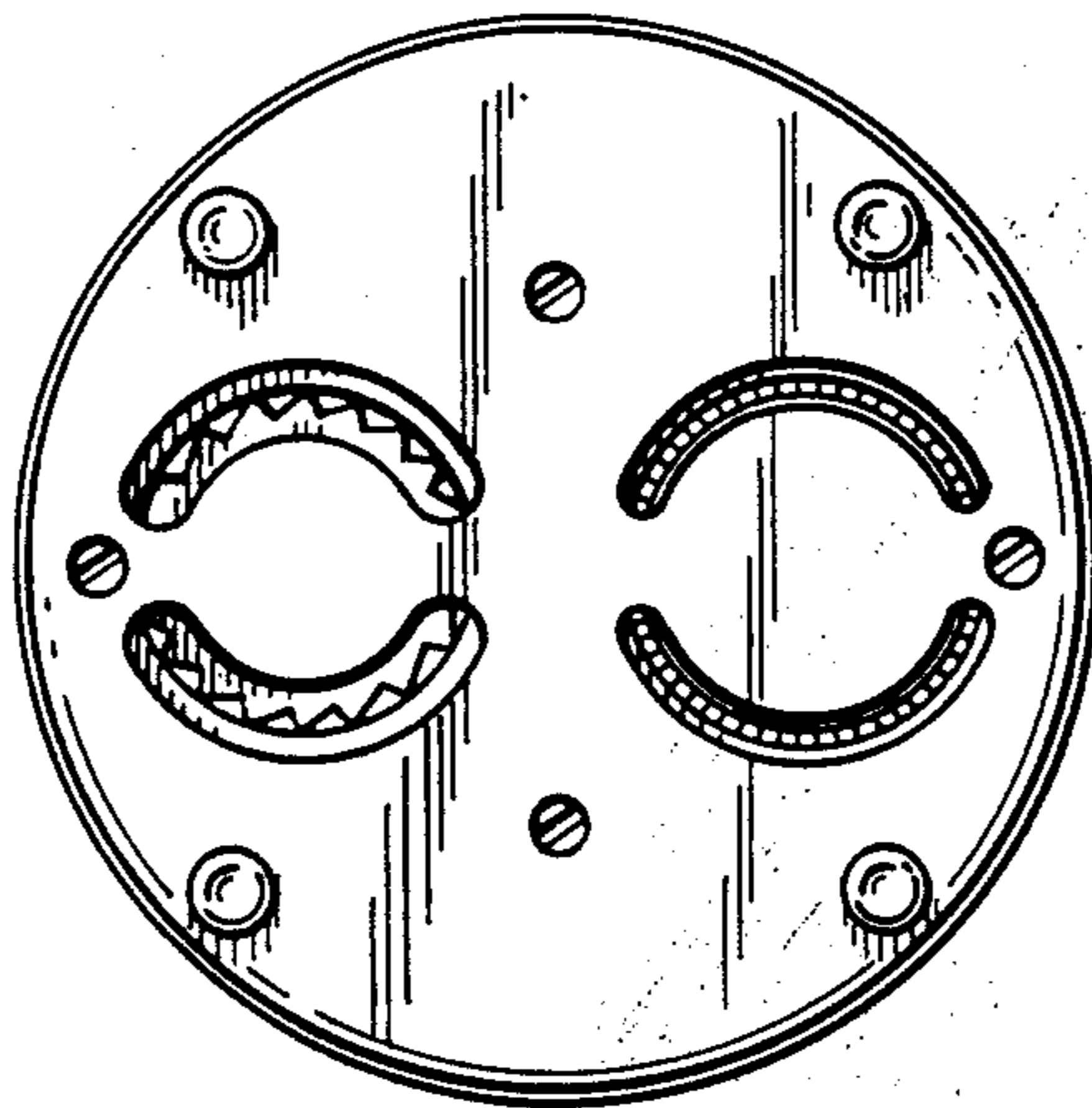


Fig. 4.