

[54] BEVERAGE DISPENSING HEAD

[75] Inventors: Mojtaba Valiyee, Moraga; William A. Martindale; Richard A. Martindale, both of Vacaville, all of Calif.

[73] Assignee: Automatic Bar Controls, Inc., Vacaville, Calif.

[**] Term: 14 Years

[21] Appl. No.: 922,985

[22] Filed: Oct. 20, 1986

[52] U.S. Cl. D7/398

[58] Field of Search D7/387-398

[56] References Cited

U.S. PATENT DOCUMENTS

D. 195,714	7/1963	Cornelius	D7/398
D. 274,031	5/1984	de Man	D7/398
3,168,967	10/1961	Giampa	222/129.1
3,863,810	2/1975	Hanson	D7/398 X

OTHER PUBLICATIONS

Sweets Catalog, 1978, sect. 11.23/ALd, Alco Bar-O--Matic Beverage Dispenser.
Restaurants & Institutions, Apr. 1982, p. 92-S, Cornelius

Co. advertisement, top left, Bar Valve Beverage Dispensers.

Booth Brand Premix Beverage Dispenser; 5-10/1985; Booth Dispensers, Dallas, Texas; photographs A-1 and A-2 supplied by applicant.

Cornelius Brand Premix Beverage Dispenser; Cornelius Co., Anoka, Minn.; photographs B-1 and B-2 supplied by applicant.

Primary Examiner—Winifred E. Herrmann

Assistant Examiner—John Warchol

Attorney, Agent, or Firm—Townsend and Townsend

[57] CLAIM

The ornamental design for a beverage dispensing head, as shown and described.

DESCRIPTION

FIG. 1 is a top, front and right side perspective view of a beverage dispensing head showing our new design, the broken line showing of a hose is illustrative of environmental structure only and forms no part of the claimed design.

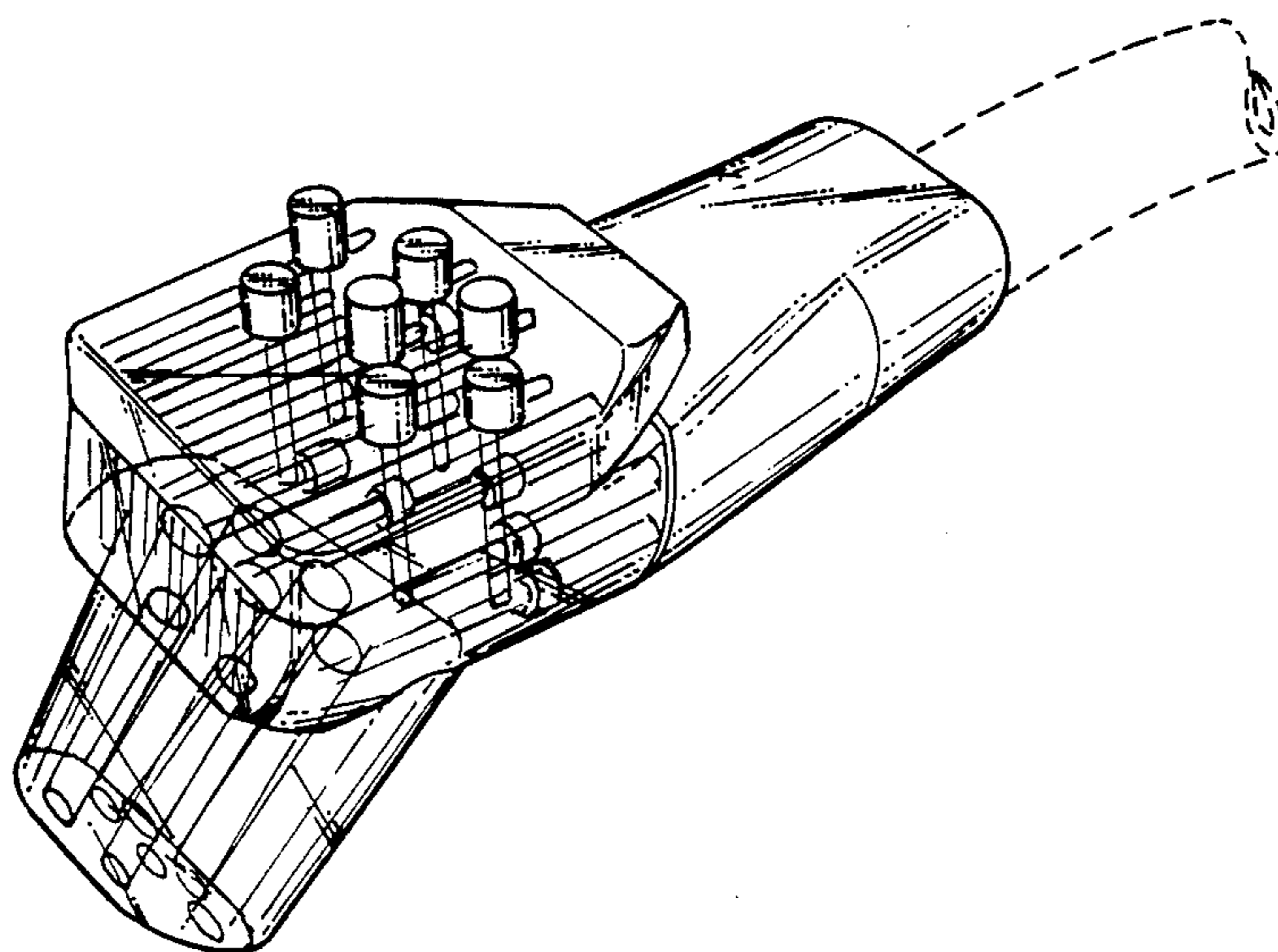
FIG. 2 is a top plan view thereof;

FIG. 3 is a front elevational view thereof;

FIG. 4 is a right side elevational view thereof, the side opposite being a mirror image;

FIG. 5 is a rear elevational view thereof; and

FIG. 6 is a bottom plan view thereof.



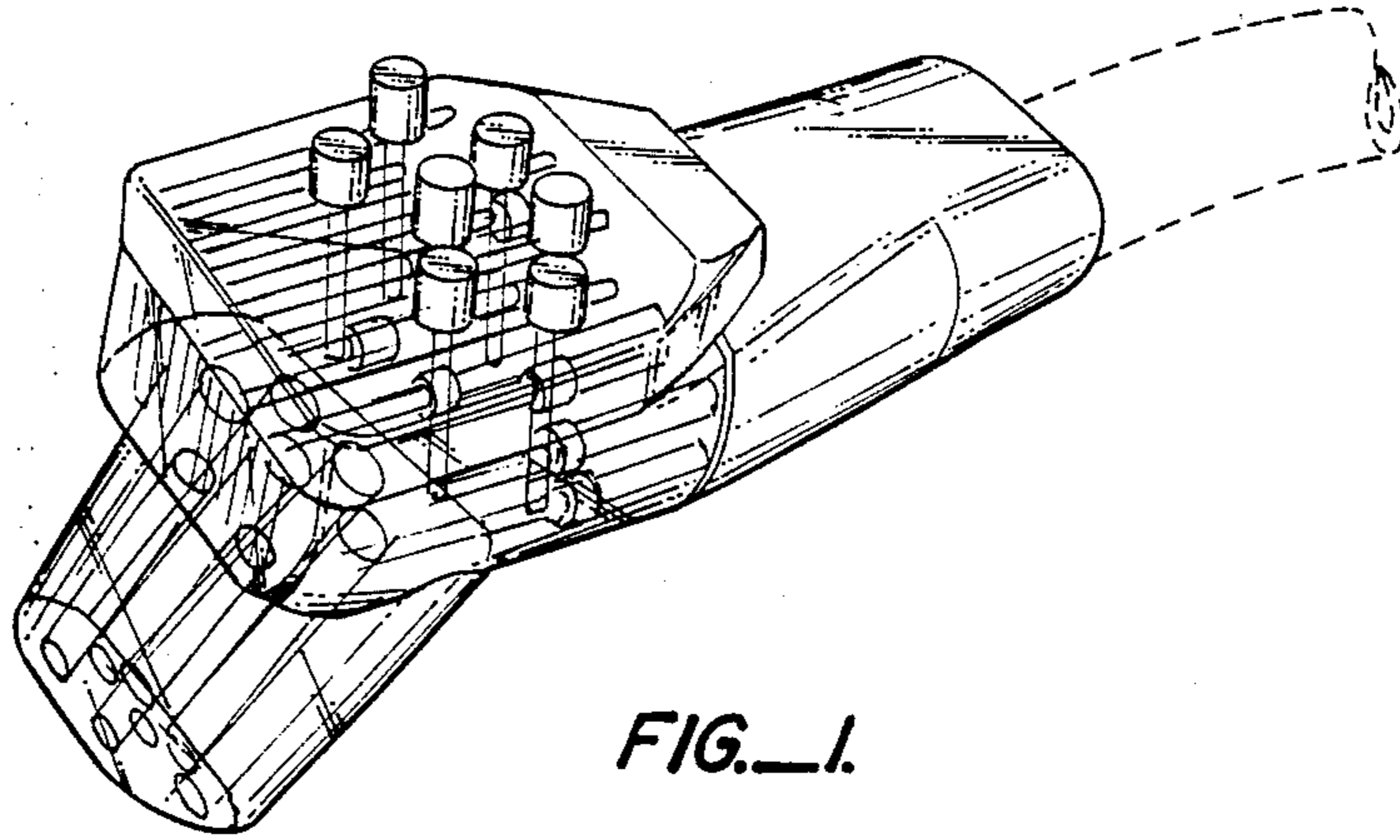


FIG. 1.

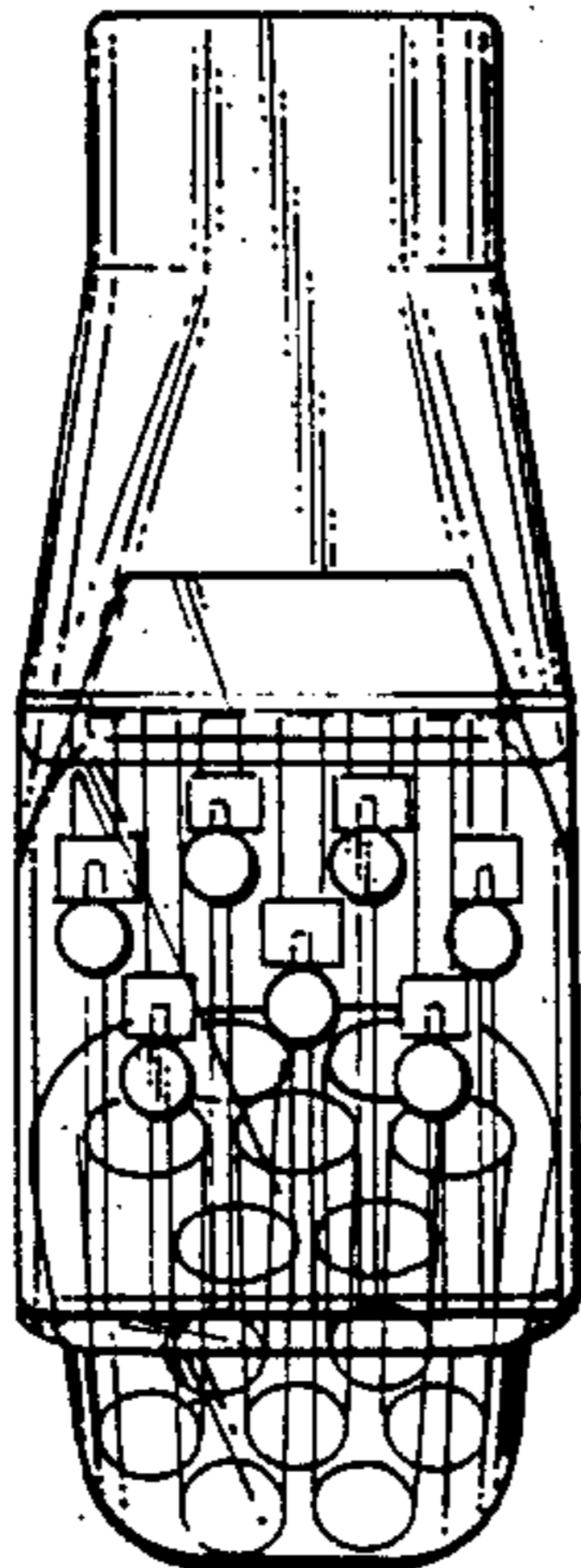


FIG. 2.

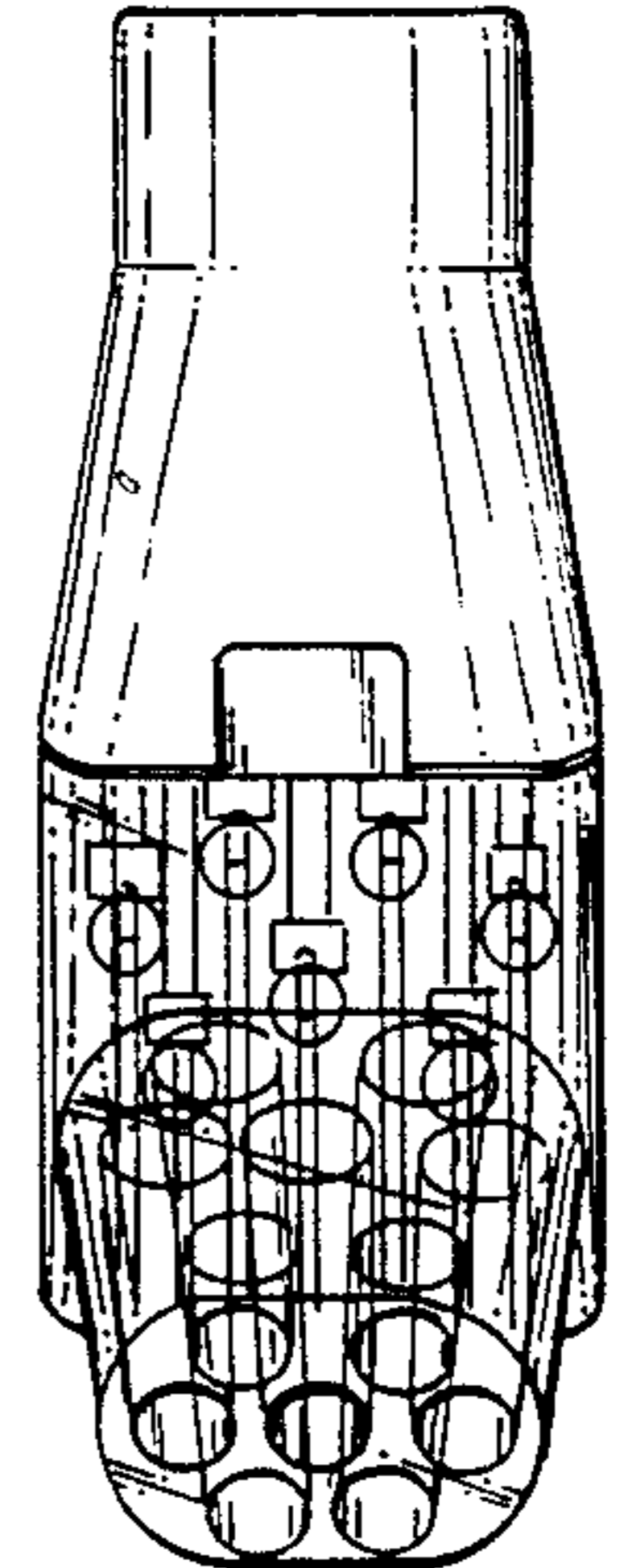


FIG. 6.

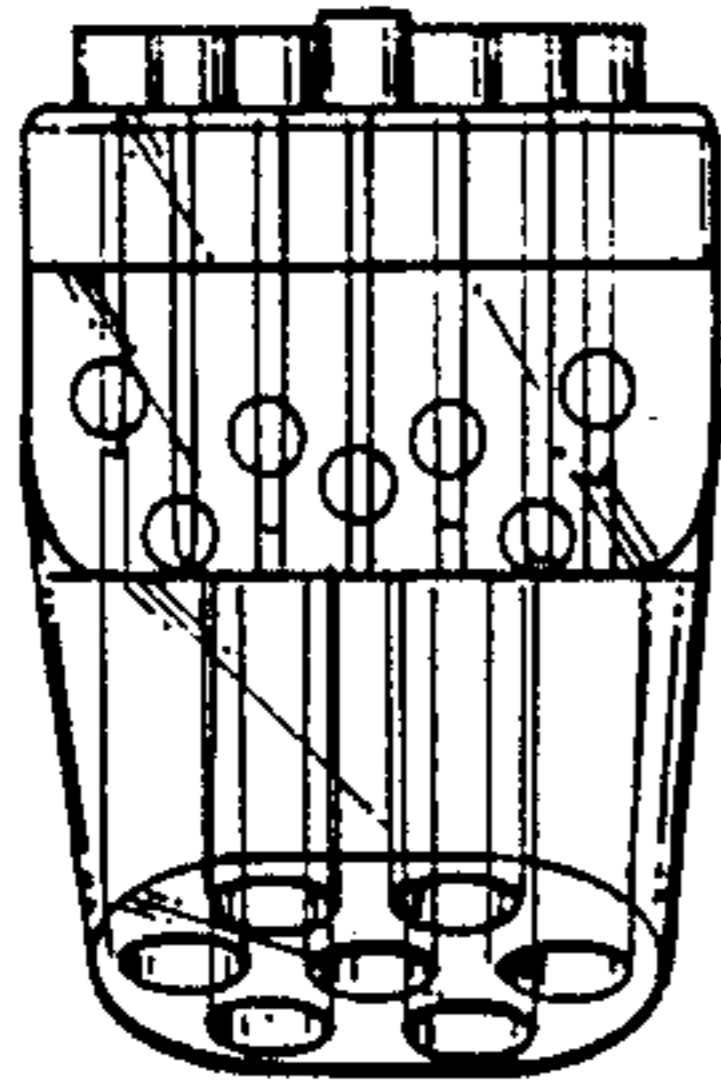


FIG. 3.

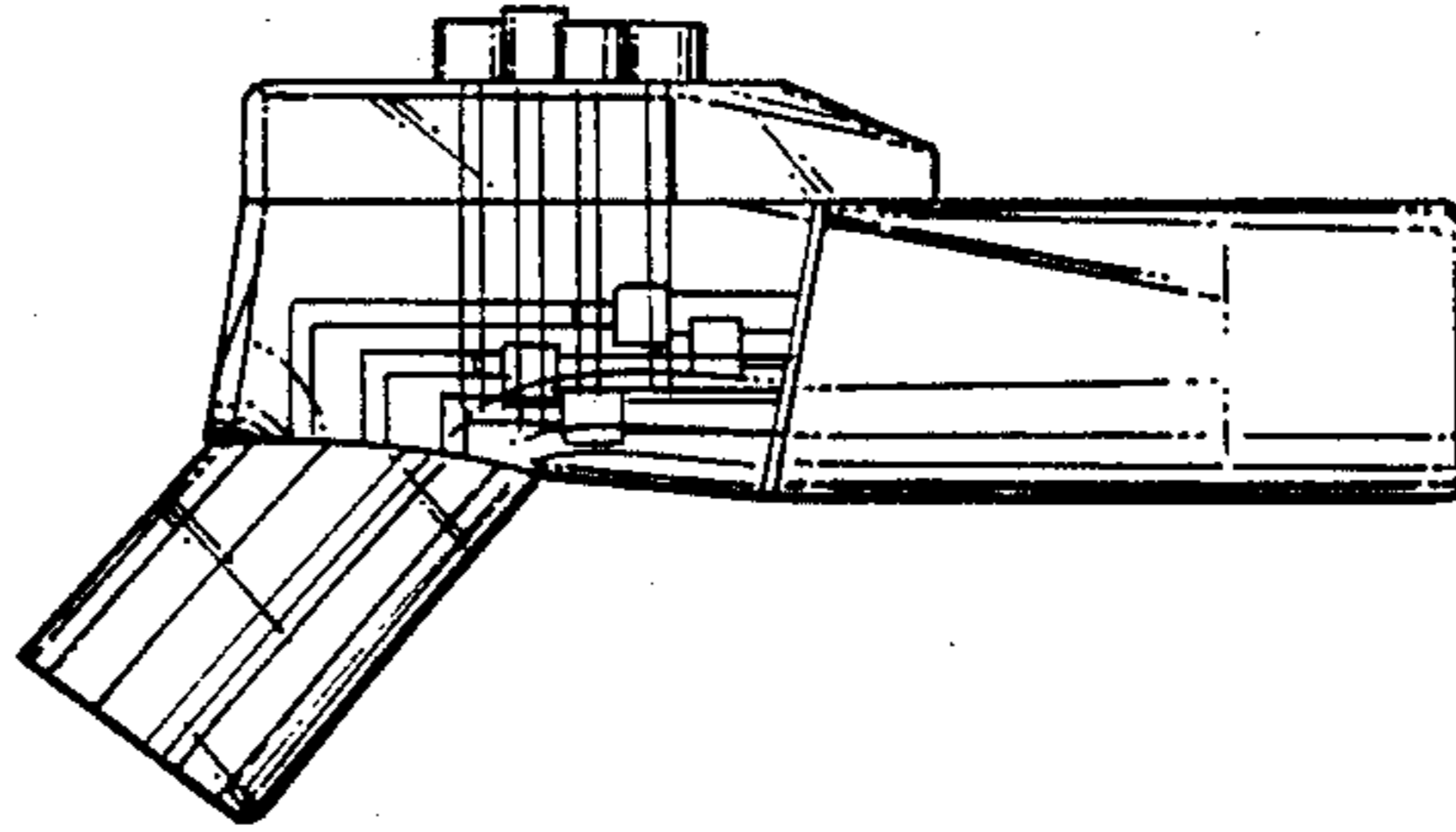


FIG. 4.

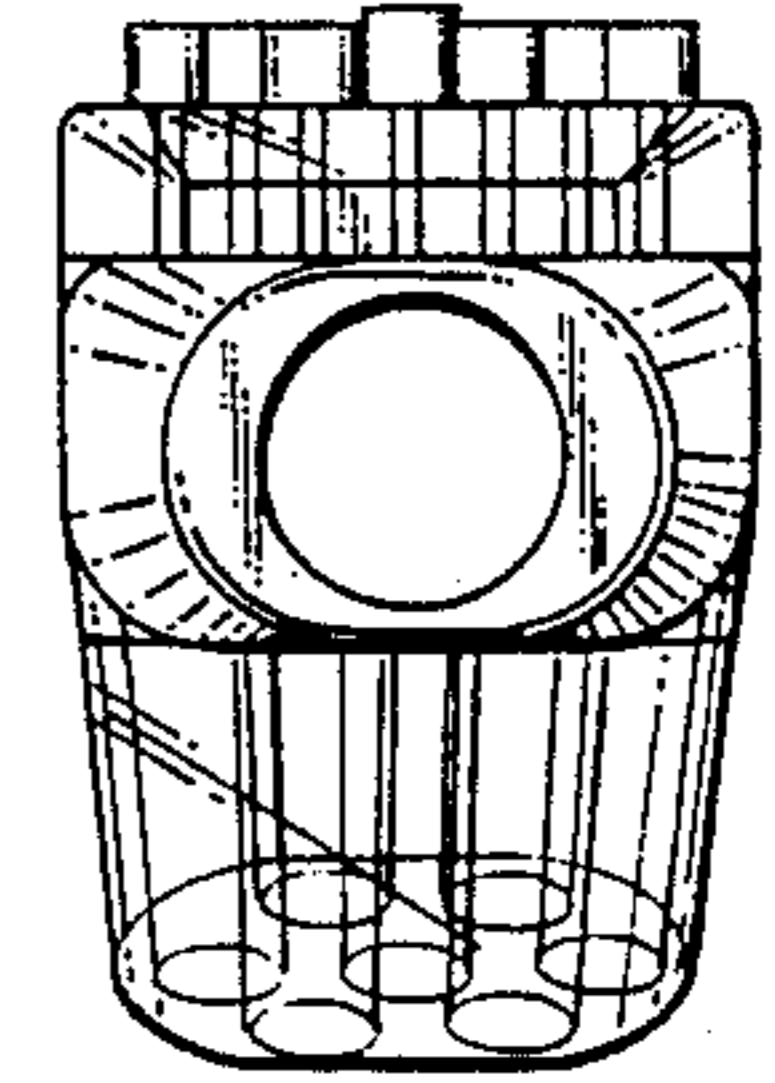


FIG. 5.