

[54] COMBINED WATER DISPENSER AND CONTAINER

[75] Inventor: Raymond L. Larson, Fargo, N. Dak.

[73] Assignee: BMR Investments, Inc., Fargo, N. Dak.

[**] Term: 14 Years

[21] Appl. No.: 20,648

[22] Filed: Mar. 2, 1987

[52] U.S. Cl. D7/313; D7/312

[58] Field of Search D7/312, 313, 300, 305, D7/310; D9/374, 370, 376, 380, 382; 62/391, 389, 397; 222/181, 185

[56] References Cited

U.S. PATENT DOCUMENTS

D. 6,382	2/1873	Meyer	D7/313
D. 194,631	2/1963	Eicholtz	.	
D. 282,957	3/1986	Carlson	D9/374 X
939,594	11/1909	Fulper	222/185 X
1,692,066	11/1928	Washburne	62/397 X
1,841,877	1/1932	Chrisman	62/391 X
3,195,752	7/1965	Cox	215/1
3,966,093	6/1976	Frahm et al.	222/185

4,391,308	7/1983	Steiner	141/18
4,629,096	12/1986	Schroer et al.	222/146.6
4,658,975	4/1987	Cone	215/100 A
4,717,031	1/1988	Hewson	D7/313 X

FOREIGN PATENT DOCUMENTS

1465560	12/1966	France	.
110547	1/1965	Netherlands	.

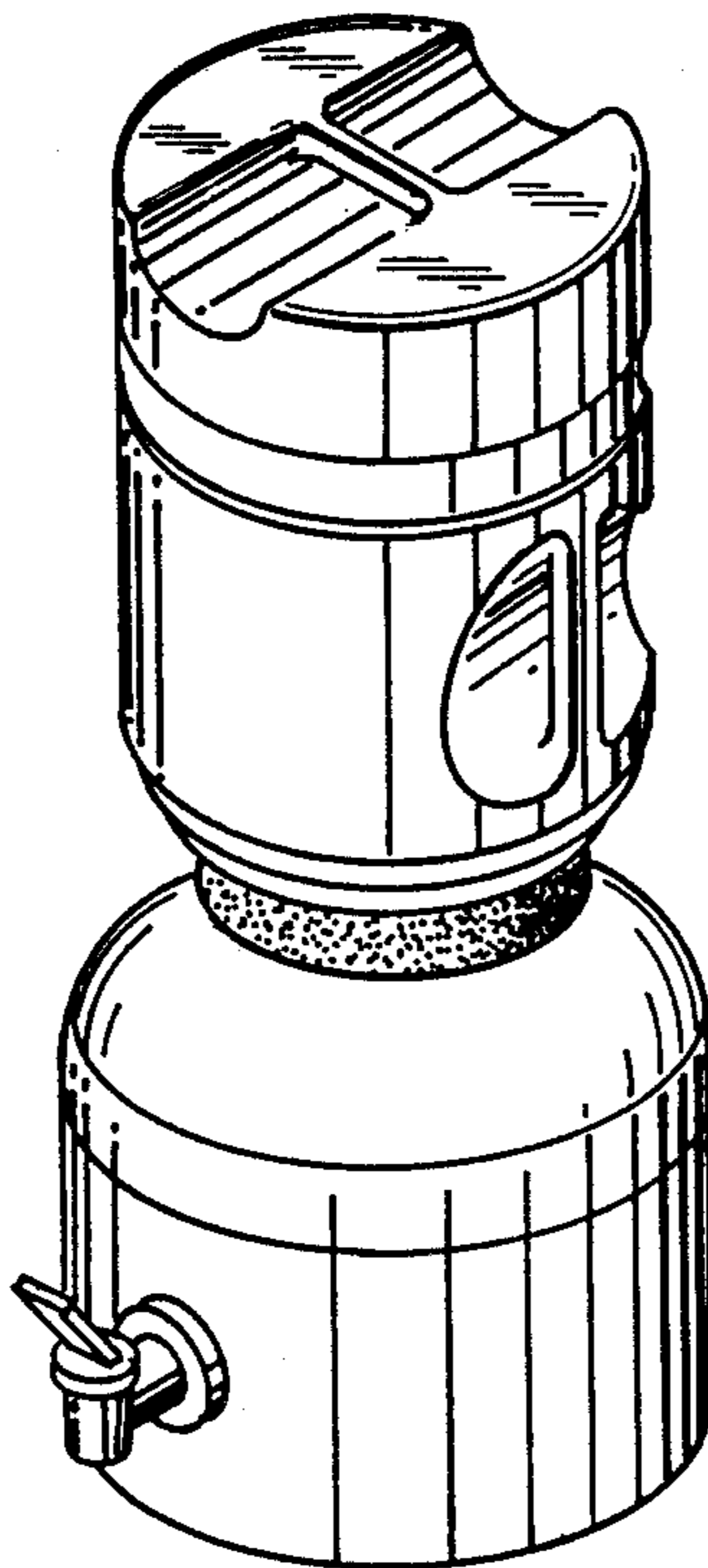
Primary Examiner—Winifred E. Herrmann
Attorney, Agent, or Firm—Burd, Bartz & Gutenkauf

[57] CLAIM

The ornamental design for a combined water dispenser and container, as shown and described.

DESCRIPTION

FIG. 1 is a top, front, and right side perspective view of a combined water dispenser and container showing my new design;
FIG. 2 is a front elevational view thereof;
FIG. 3 is a side elevational view of the right side thereof;
FIG. 4 is a rear elevational view thereof;
FIG. 5 is a side elevational view of the left side thereof;
FIG. 6 is a top plan view thereof; and
FIG. 7 is a bottom plan view thereof.



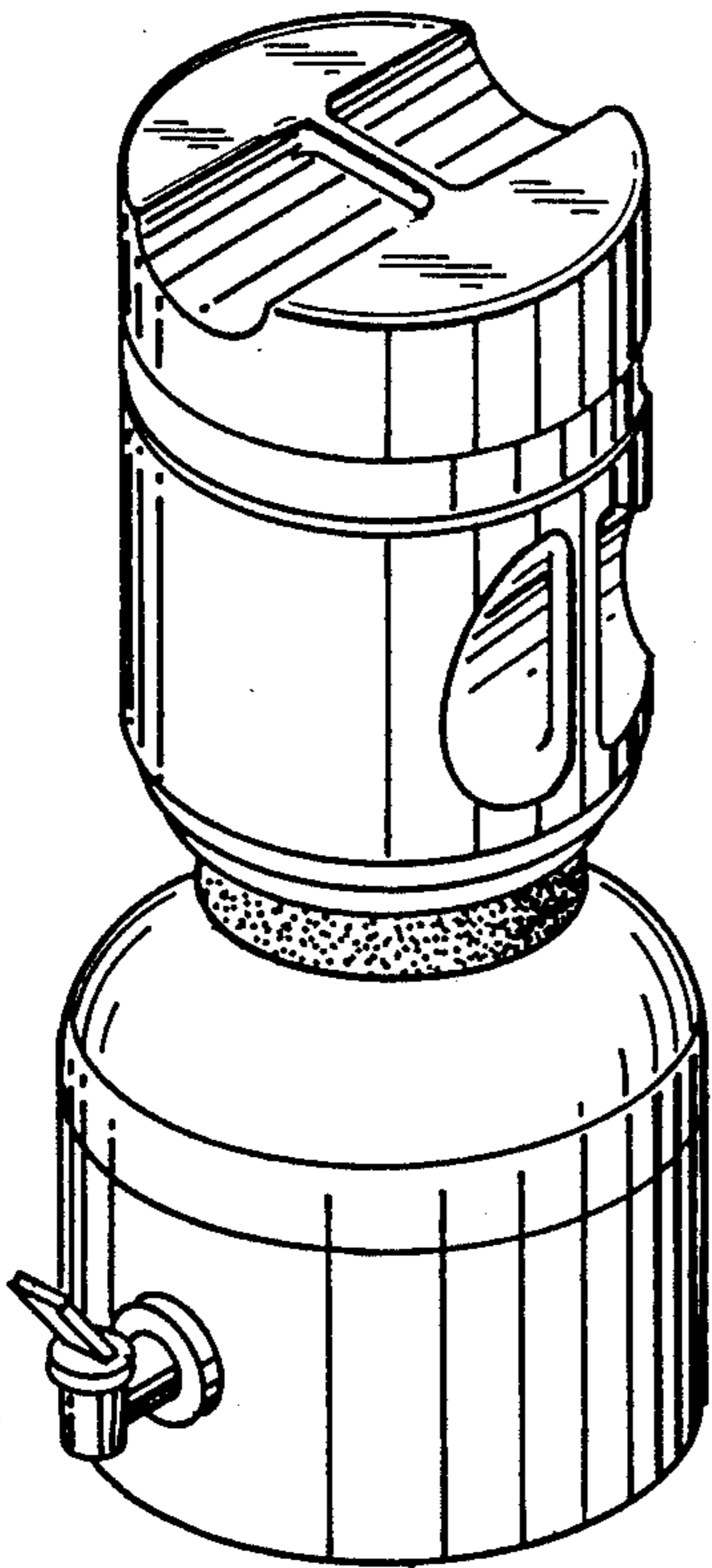


Fig. 1

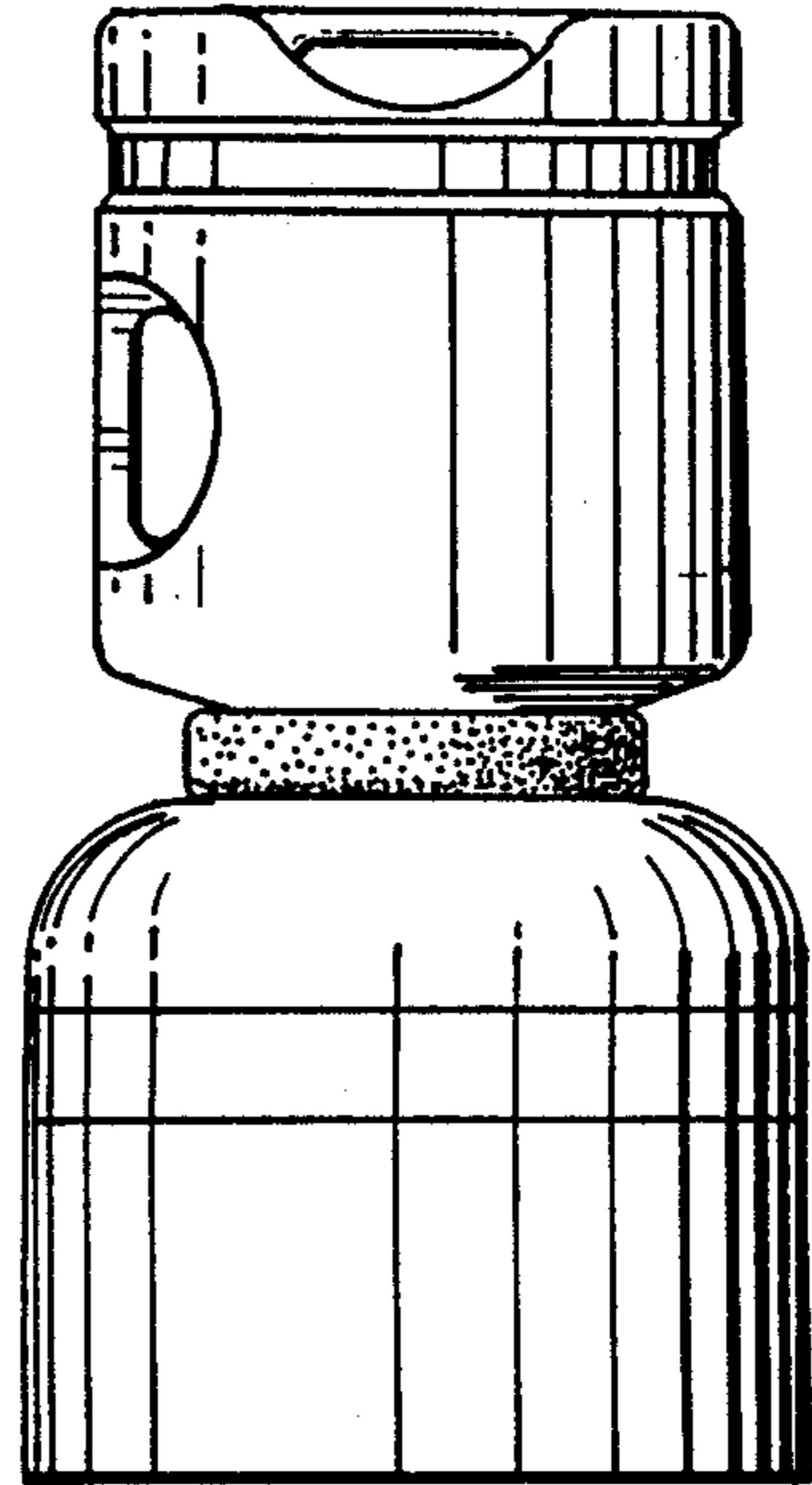


Fig. 4

Fig. 2

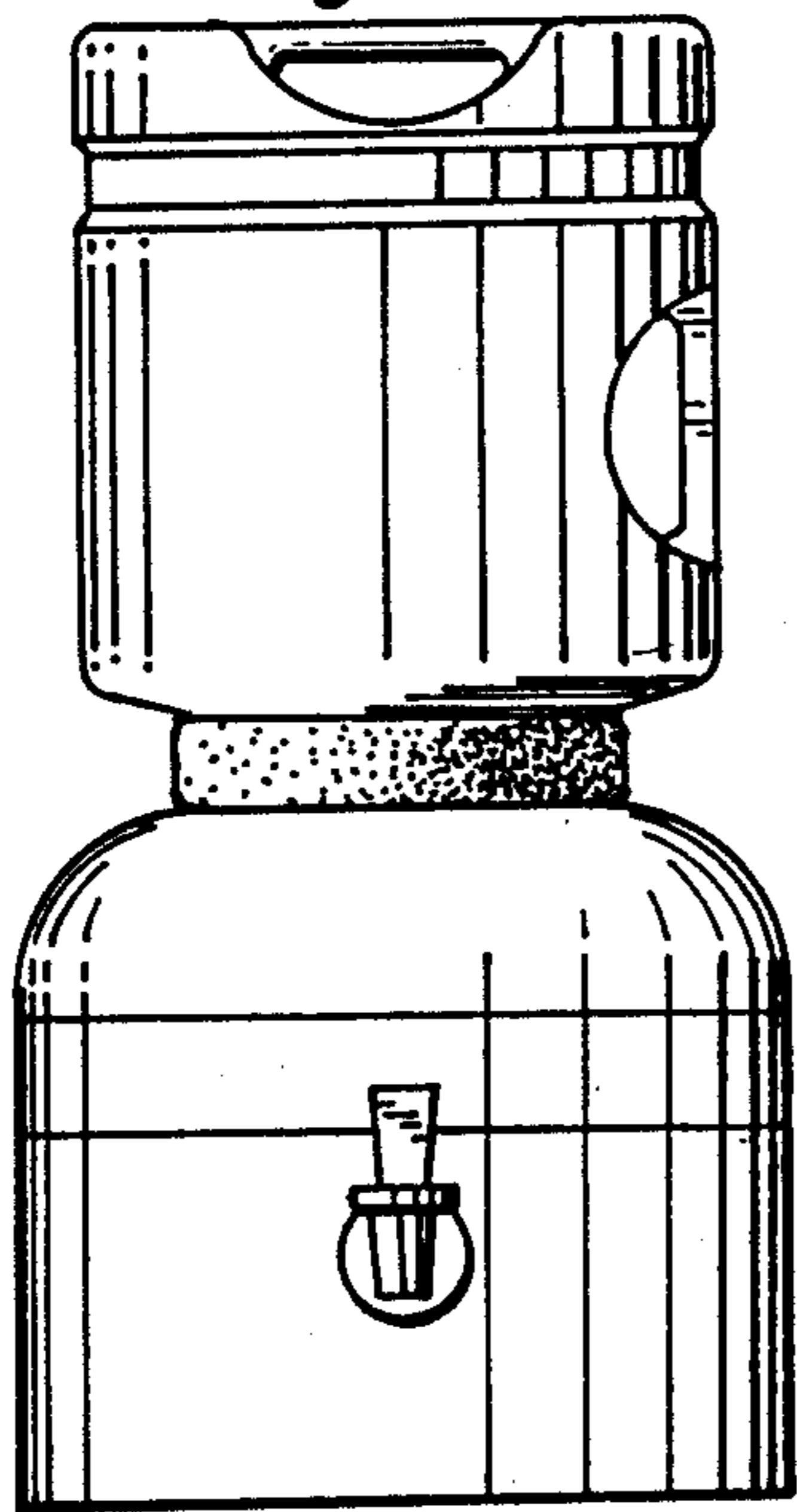
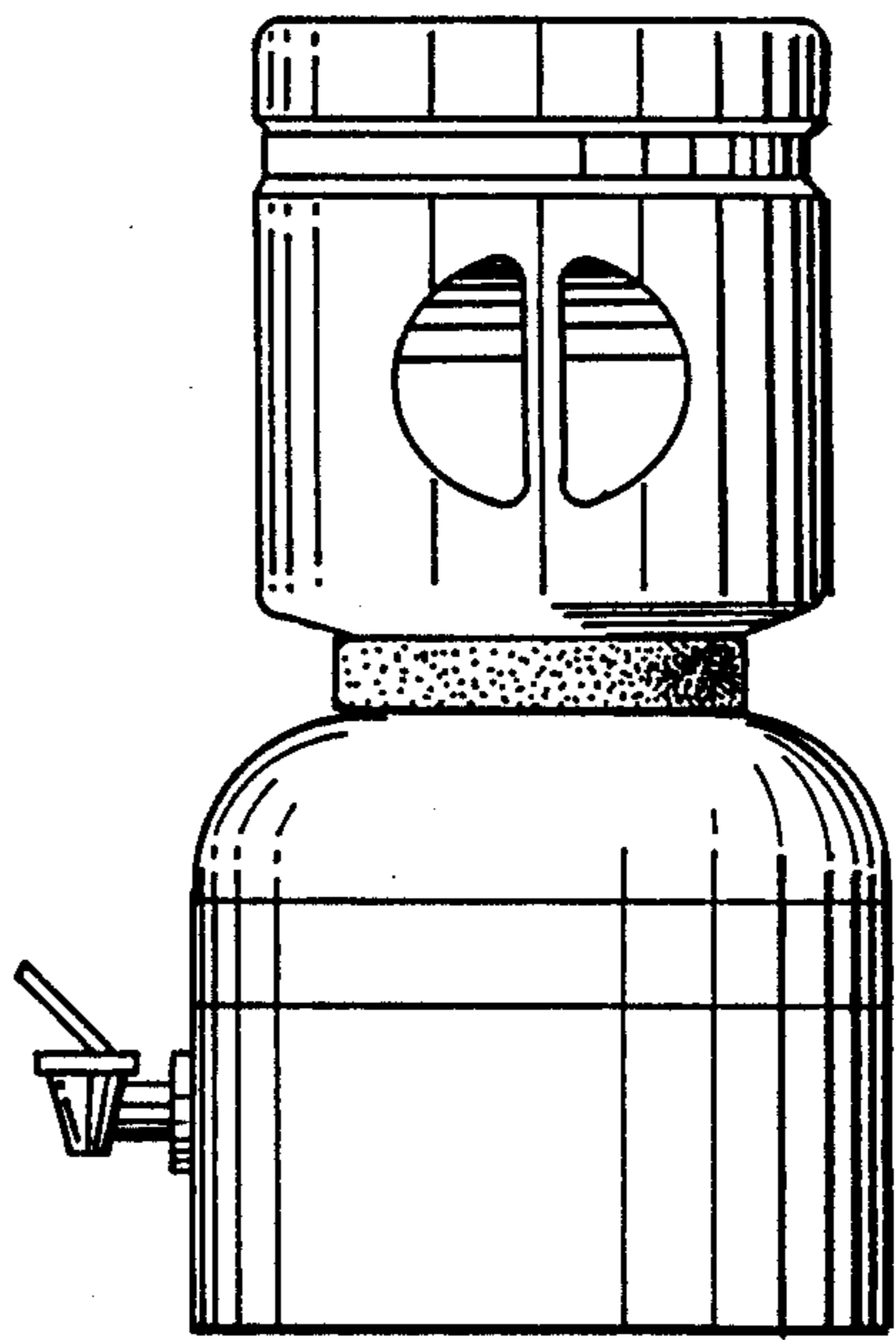


Fig. 3



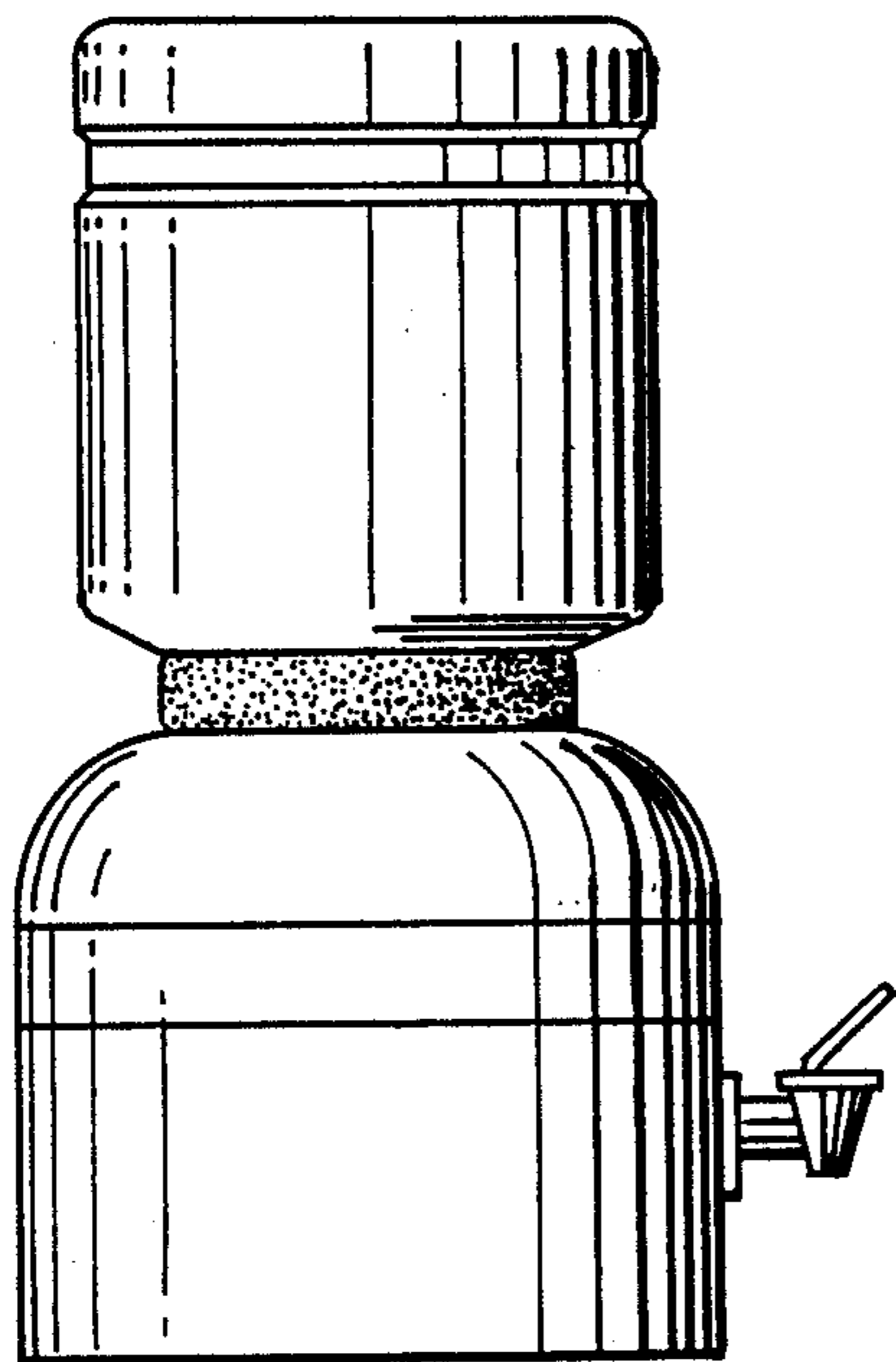


Fig. 5

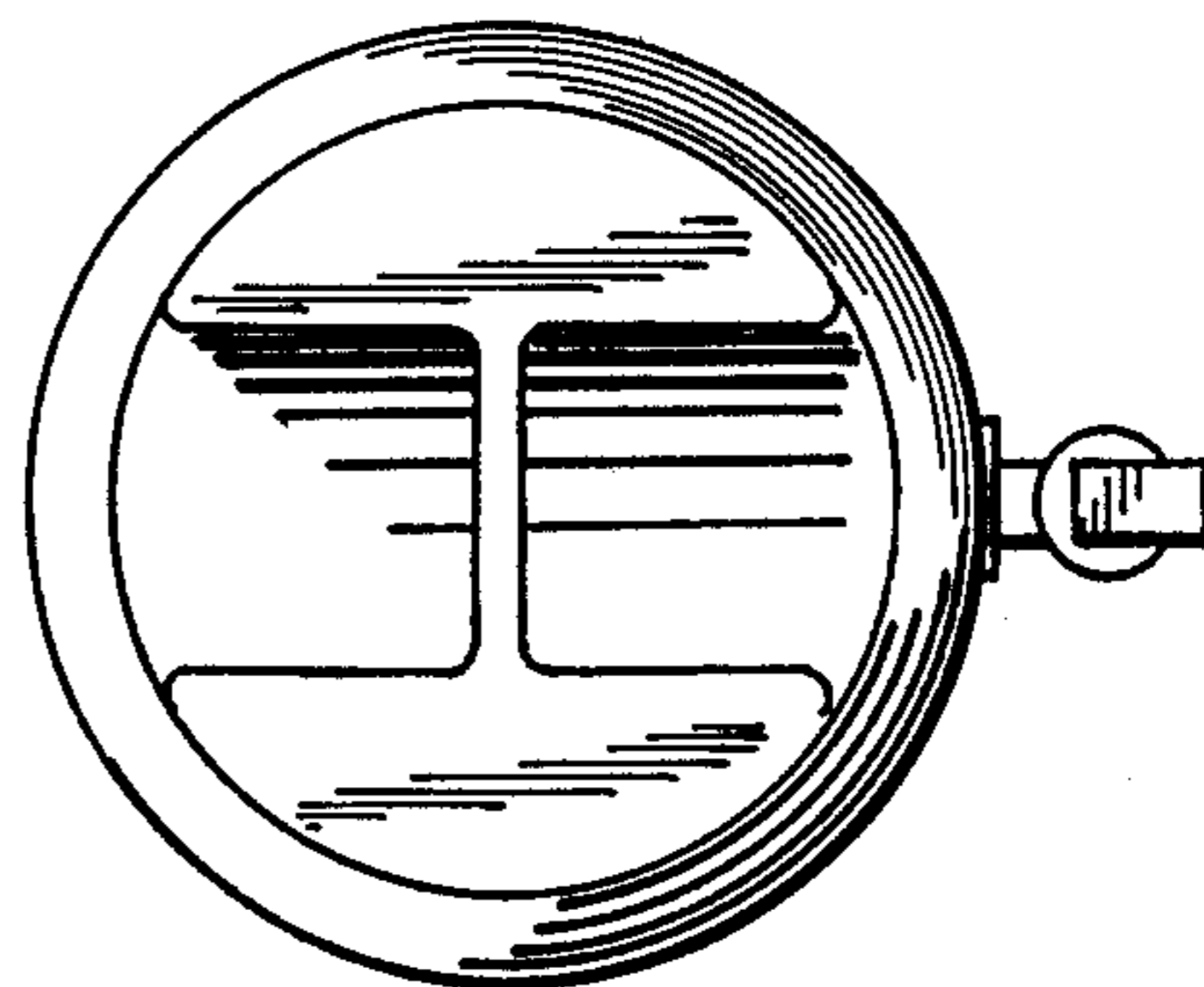


Fig. 6

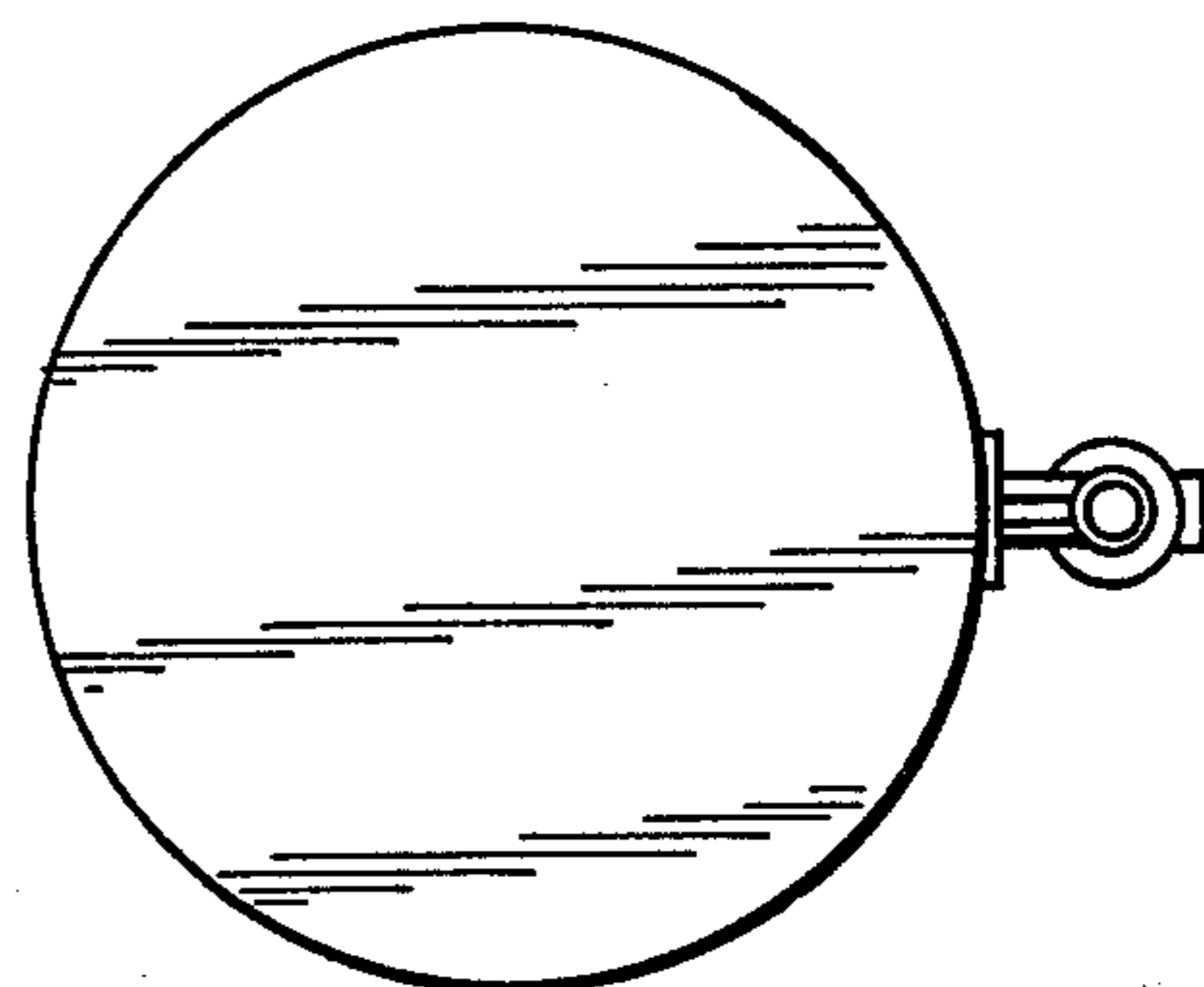


Fig. 7