

[54] INFLATABLE BOLSTER

[76] Inventor: Diarmid McVicar, 114 West First Avenue, Box 878, Qualicum Beach, British Columbia, Canada, V0R 2T0

[\*\*] Term: 14 Years

[21] Appl. No.: 132,142

[22] Filed: Dec. 14, 1987

[30] Foreign Application Priority Data

Jun. 16, 1987 [CA] Canada ..... 16-06-87-1

[52] U.S. Cl. .... D6/604; D6/596

[58] Field of Search ..... D6/595-596, D6/601, 604-605; 5/431-432, 443, 448-452, 455, 458; 297/218

[56] References Cited

U.S. PATENT DOCUMENTS

257,309 10/1980 Kroll ..... D6/601

754,329	3/1904	Milliken .....	D6/596 X
2,620,493	12/1952	Brelsford .....	5/458 X
2,918,682	12/1959	Thoresen et al. ....	5/432
4,108,492	8/1978	Kirby .....	297/218 X
4,635,306	1/1987	Willey .....	5/432 X
4,639,960	2/1987	Quillen et al. ....	5/455
4,654,907	4/1987	Hangaard .....	5/420

FOREIGN PATENT DOCUMENTS

744294 10/1966 Canada .

Primary Examiner—Wallace R. Burke

Assistant Examiner—Brian N. Vinson

[57] CLAIM

The ornamental design for an inflatable bolster, as shown and described.

DESCRIPTION

FIG. 1 is a bottom perspective view of an inflatable bolster showing my new design; and FIG. 2 is a top perspective view thereof.

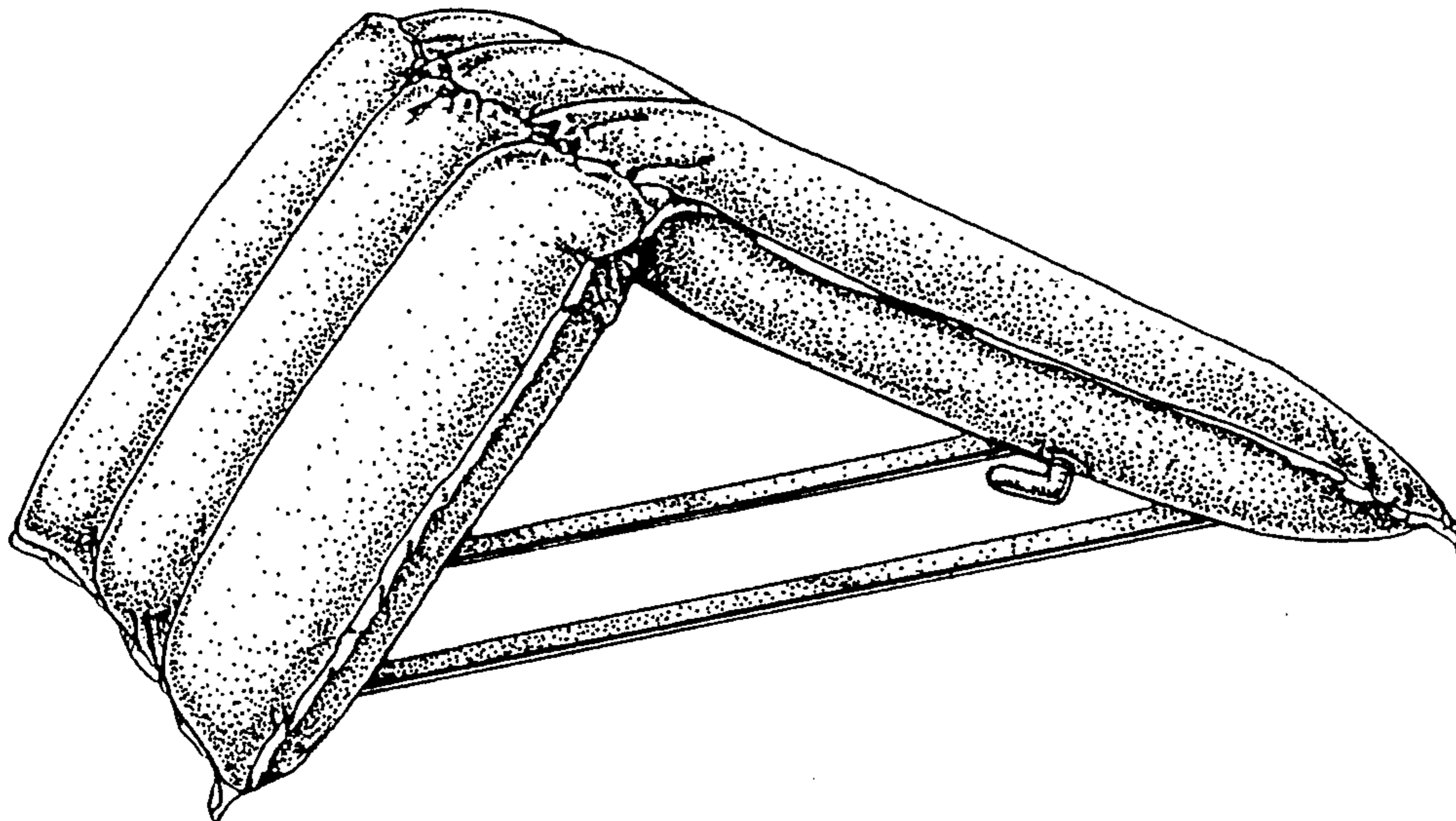


FIG. 1

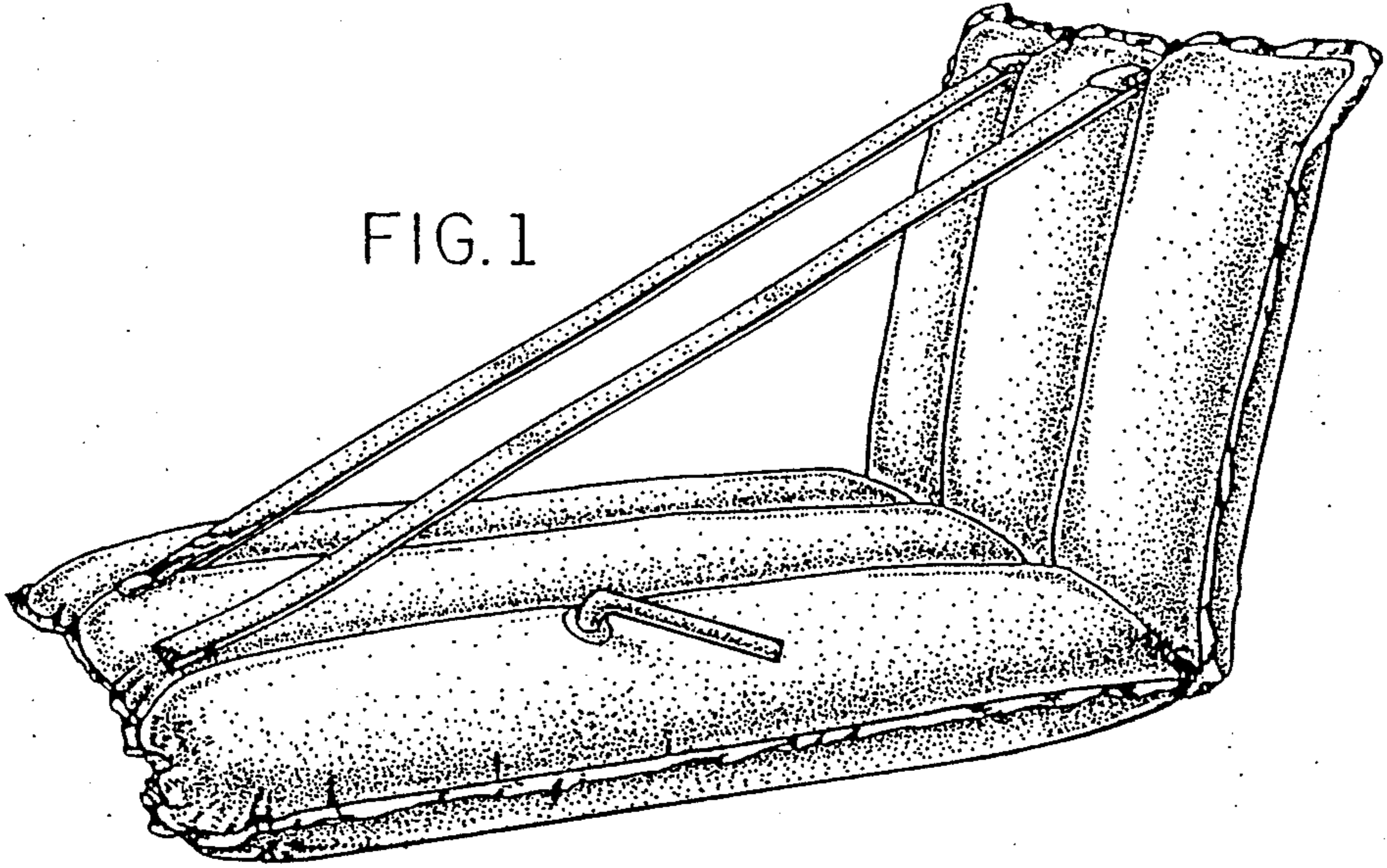


FIG. 2

