

[54] BICYCLE SPROCKET CLEANER

3,058,669 10/1962 Drell D23/225 X
3,346,908 10/1967 Johnson D4/114 X

[75] Inventors: John F. Hoenselaar, Anacortes, Wash.; Eivind Clausen, Bellingham, Wash.

Primary Examiner—Wallace R. Burke
Assistant Examiner—Lavone D. Tabor
Attorney, Agent, or Firm—Hughes & Multer

[73] Assignee: Allsop, Inc., Bellingham, Wash.

[57] CLAIM

[**] Term: 14 Years

The ornamental design for a bicycle sprocket cleaner, as shown and described.

[21] Appl. No.: 53,423

[22] Filed: Aug. 22, 1987

DESCRIPTION

[52] U.S. Cl. D4/114; D23/225

[58] Field of Search D4/105-106, D4/114, 116; D9/300, 448; D23/213, 223-229; D32/35; 222/148-149, 323, 472-473; 239/106-107, 272, 308-309, 354

FIG. 1 is a perspective view of a bicycle sprocket cleaner showing my new design; FIG. 2 is a right side elevational view thereof; FIG. 3 is a top plan view thereof; FIG. 4 is a left side elevational view thereof; FIG. 5 is a front elevational view thereof; FIG. 6 is a rear elevational view thereof; and FIG. 7 is a bottom plan view thereof.

[56] References Cited

U.S. PATENT DOCUMENTS

D. 205,127 6/1966 Dykes, Jr. D4/114
D. 287,394 12/1986 Yamamoto D23/225

The broken line showing of a spray can is for illustrative purposes only and forms no part of the claimed design.

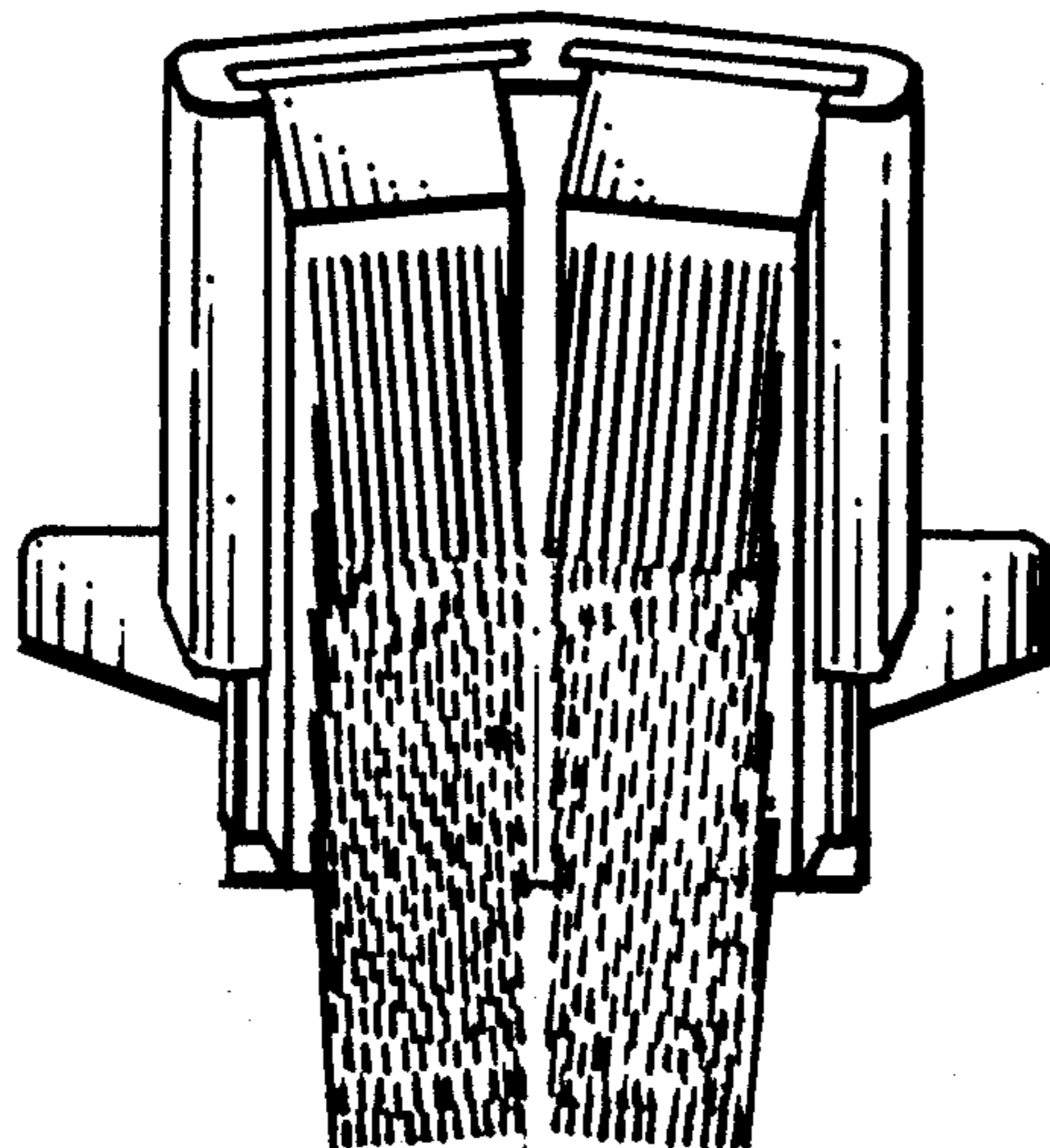
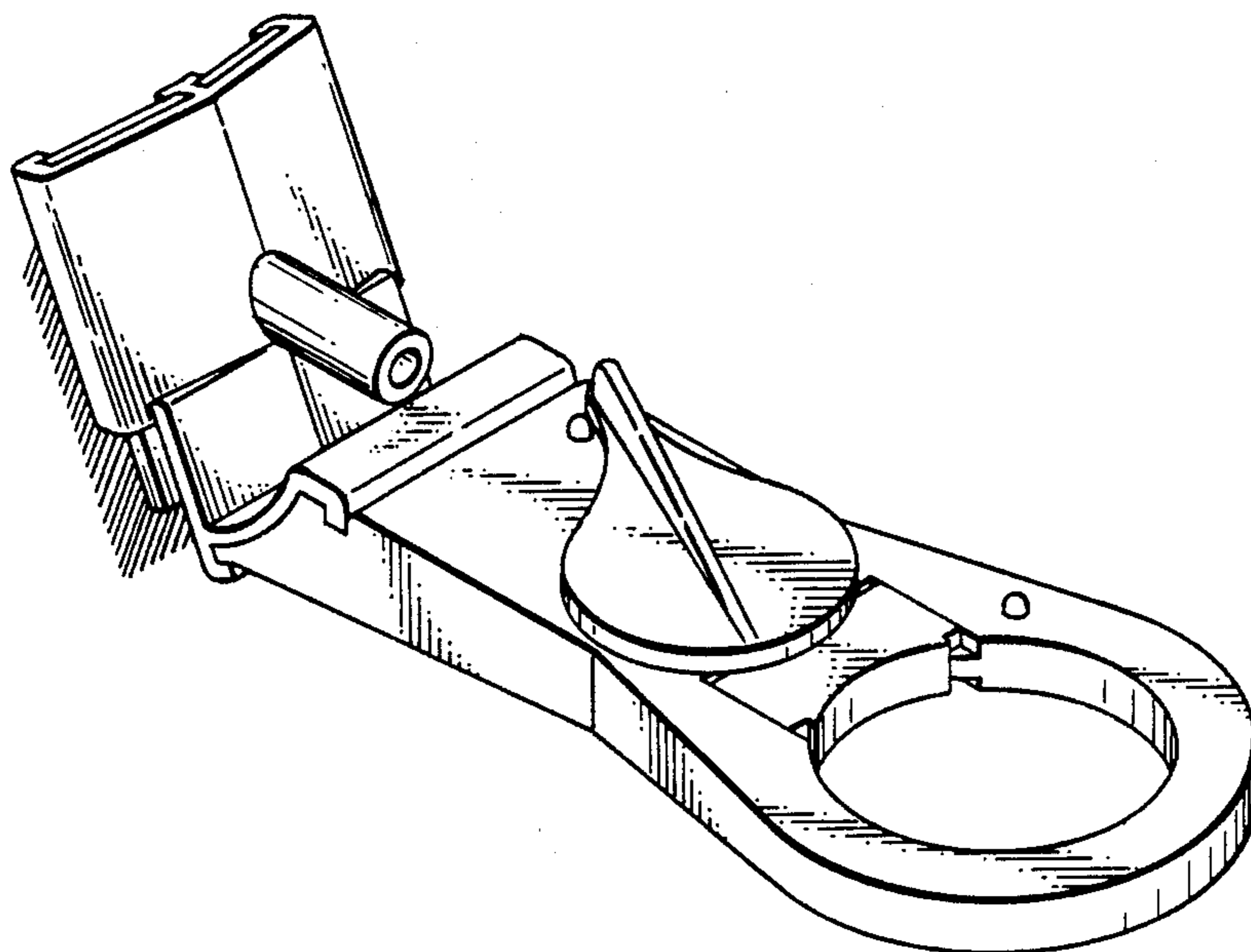


FIG. 1

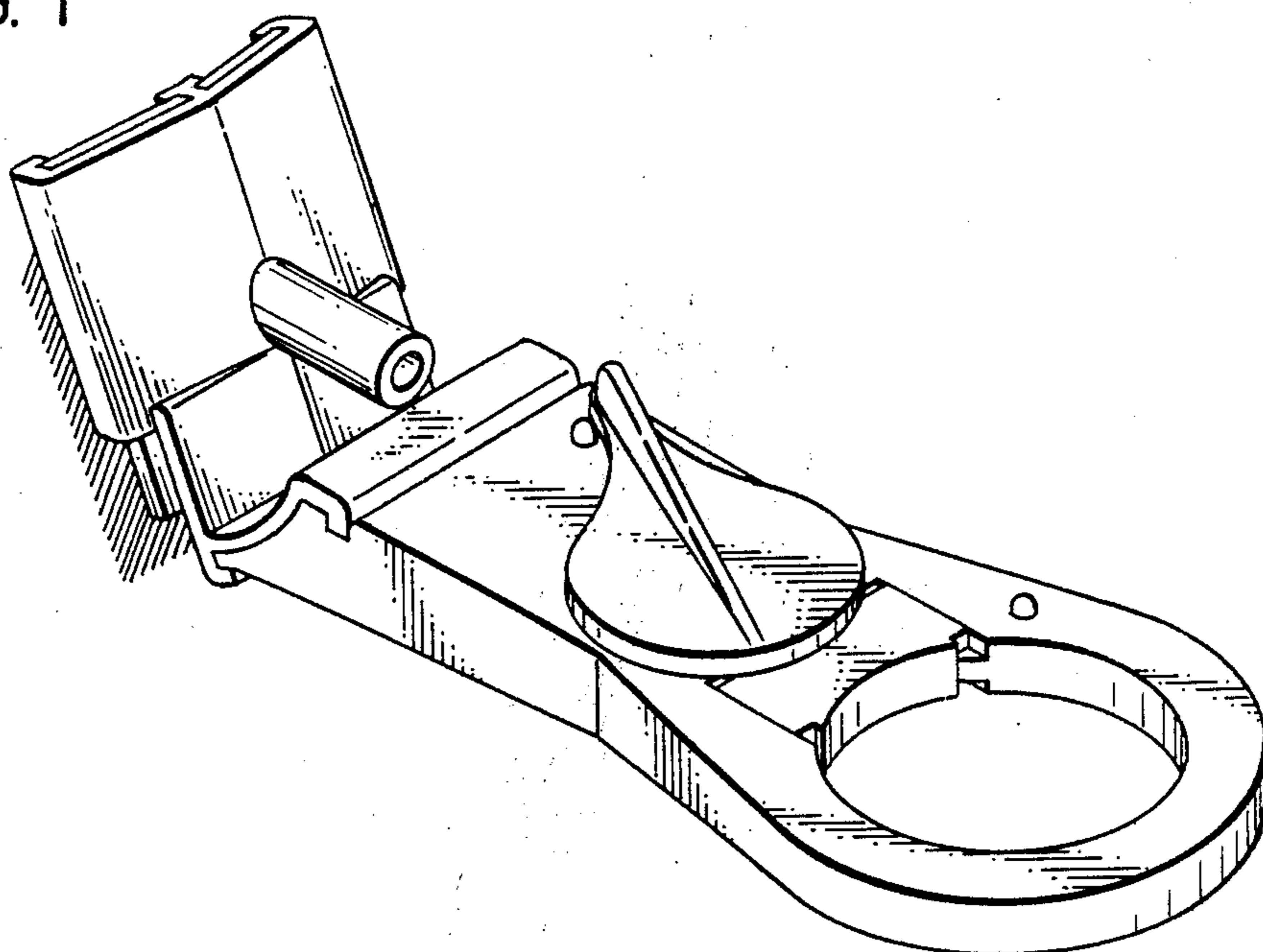


FIG. 2

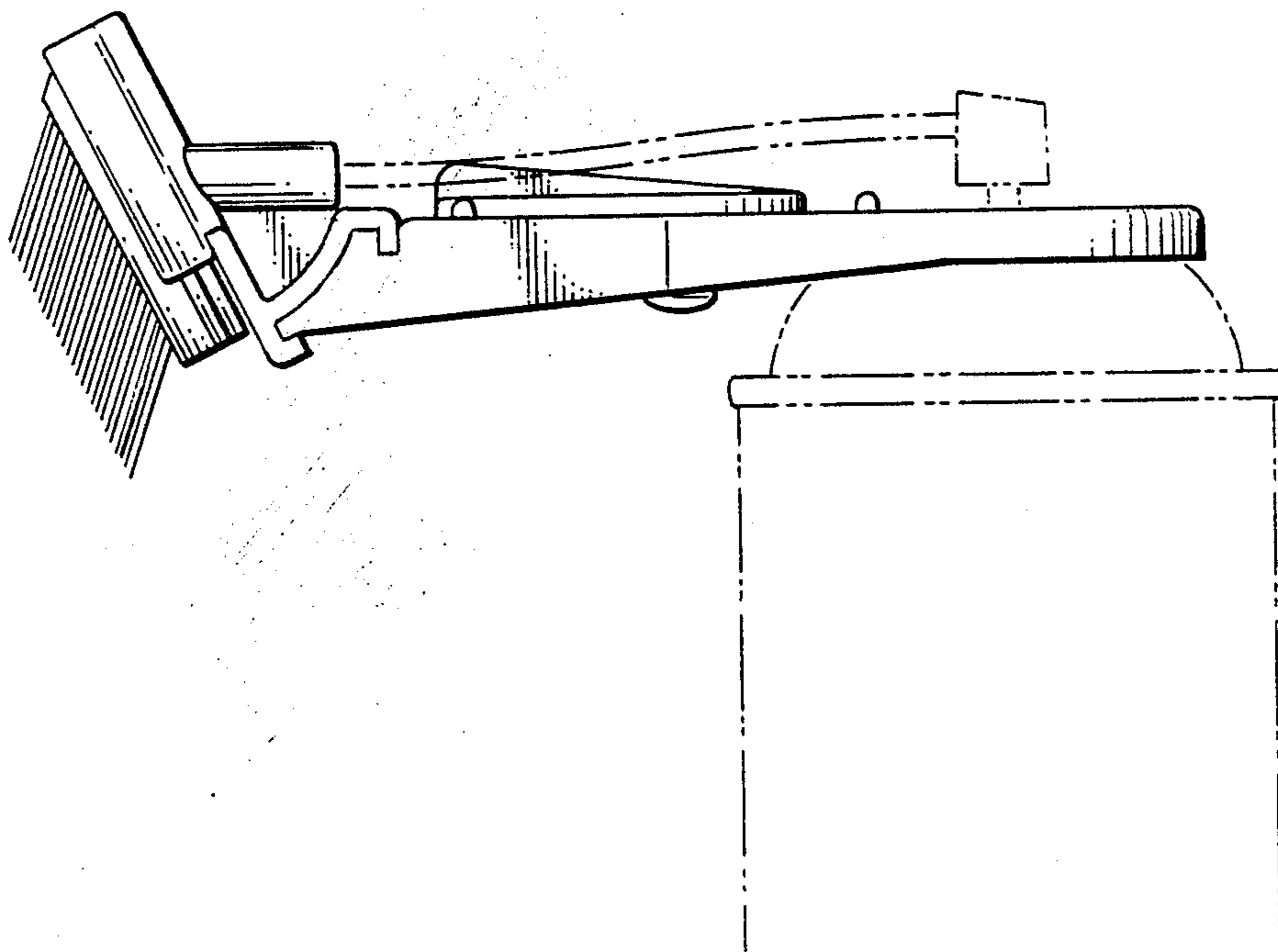


FIG. 3

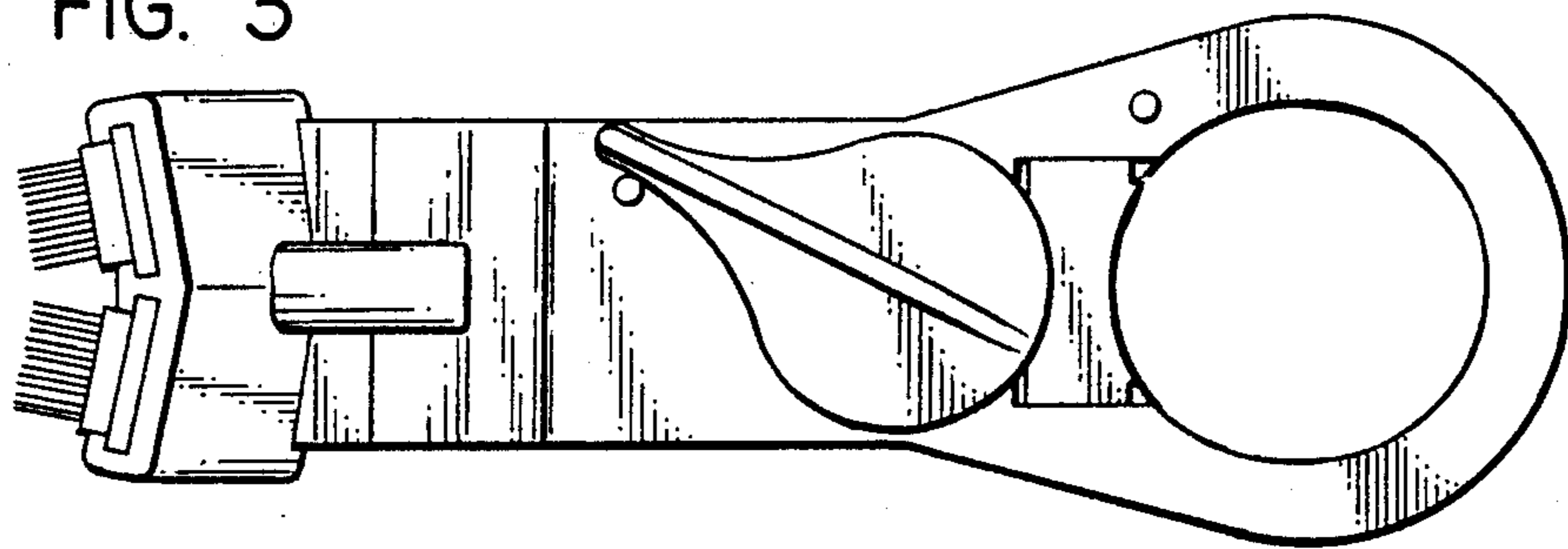


FIG. 4

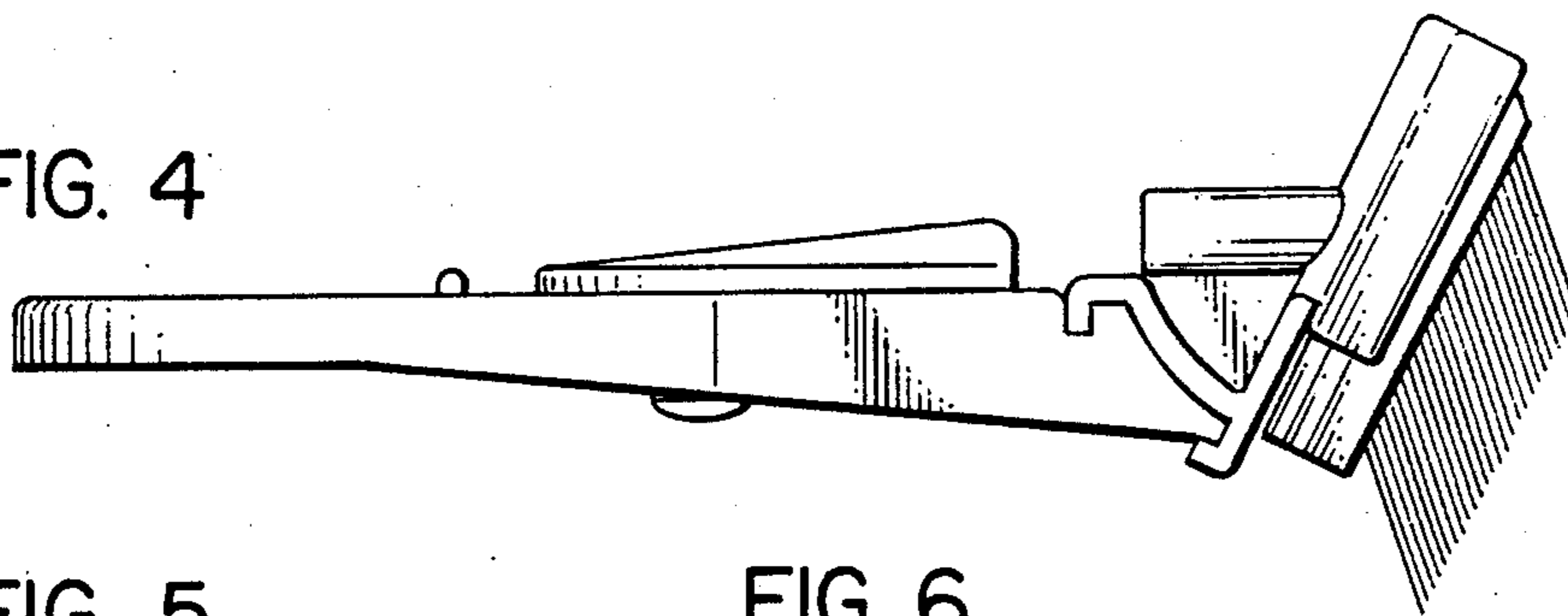


FIG. 5

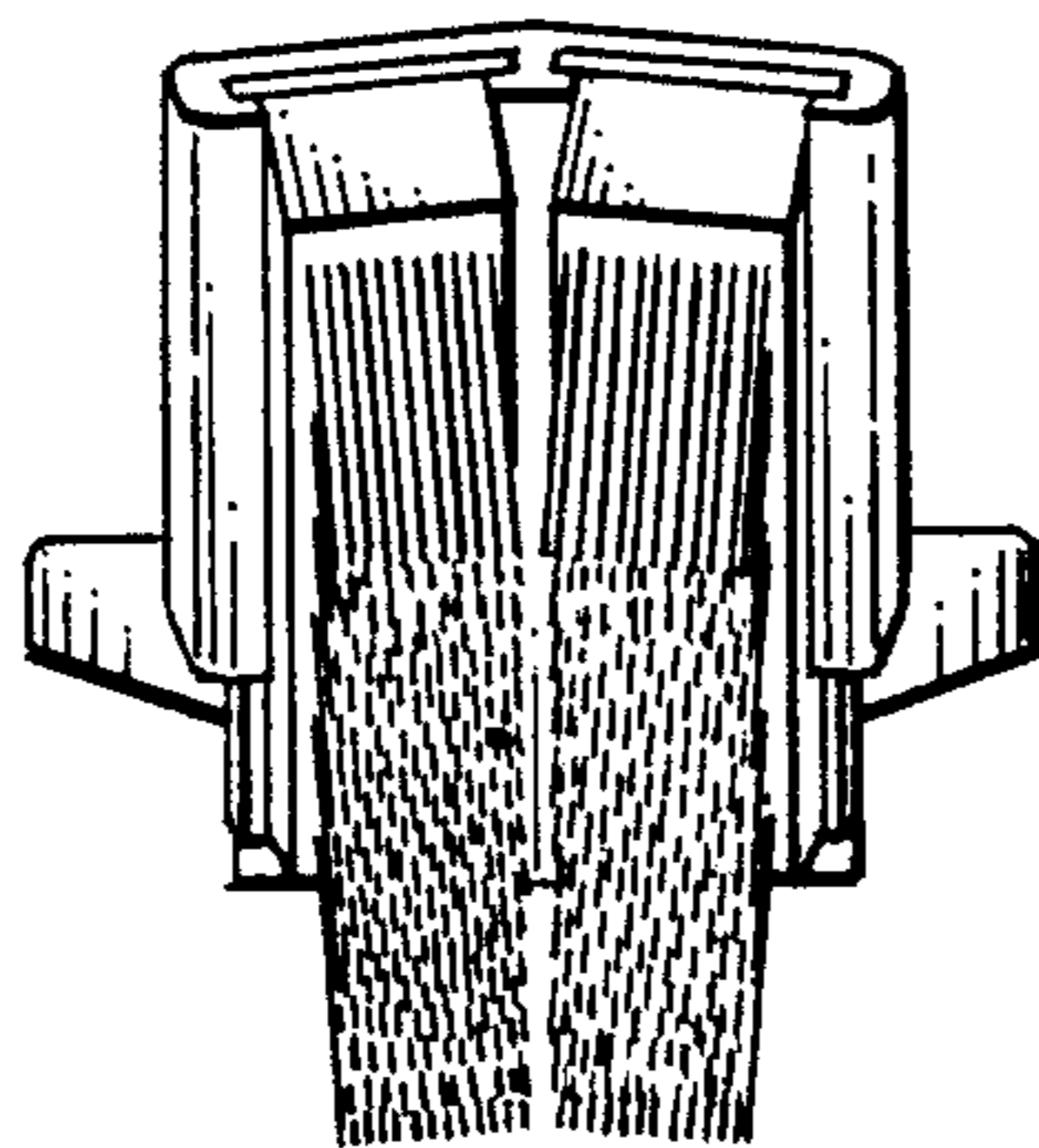


FIG. 6

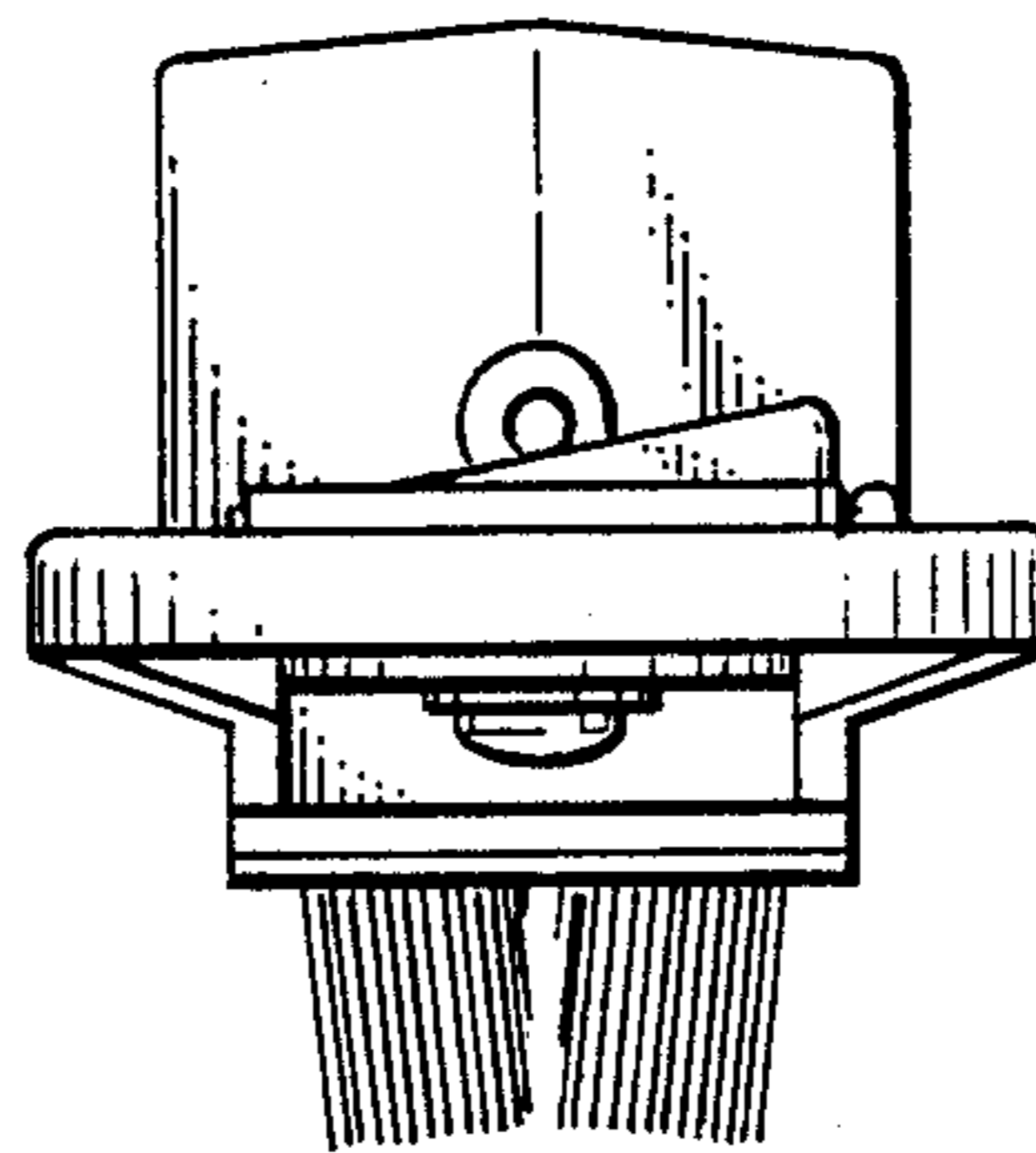


FIG. 7

