

[54] RECHARGEABLE VACUUM CLEANER

[75] Inventor: John S. Yuen, Kowloon, Hong Kong

[73] Assignee: John Manufacturing Limited, Kowloon, Hong Kong

[*] Notice: The portion of the term of this patent subsequent to Nov. 28, 2003 has been disclaimed.

[**] Term: 14 Years

[21] Appl. No.: 22,986

[22] Filed: Mar. 6, 1987

[30] Foreign Application Priority Data

Oct. 17, 1986 [GB] United Kingdom 1037474

[52] U.S. Cl. D32/18

[58] Field of Search D32/17, 18, 21, 22; 15/329, 344, 350, 351

[56] References Cited

U.S. PATENT DOCUMENTS

D. 275,427 9/1984 Kishi et al. D32/18

D. 279,513 7/1985 Rinaldi et al. D32/18

D. 287,893 1/1987 Fujii et al. D32/18
4,682,384 7/1987 Prahel et al. 15/344

OTHER PUBLICATIONS

Consumer Reports, 1/1986, p. 21, "Douglass Readivac 6.0", lower rt. corner of pg.

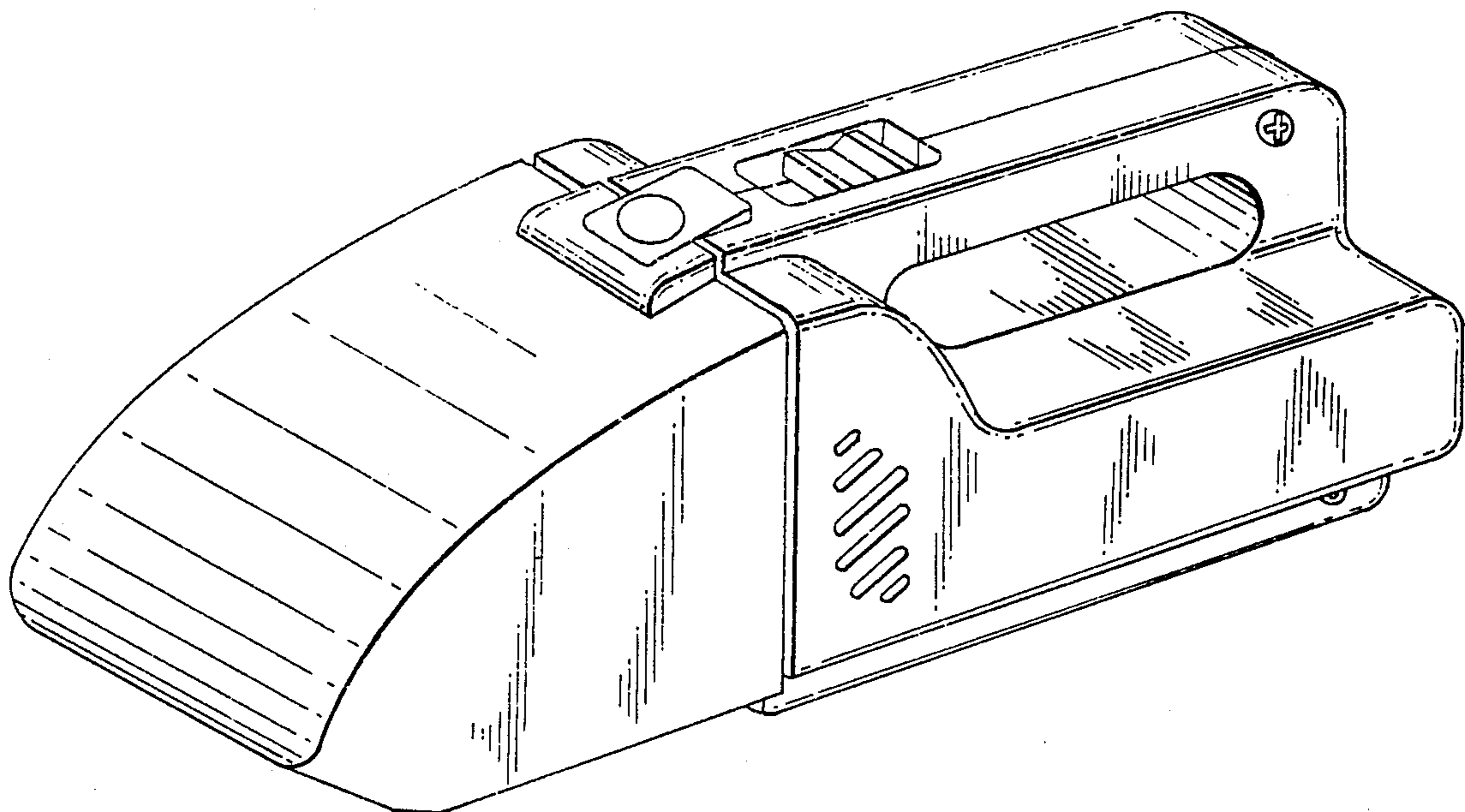
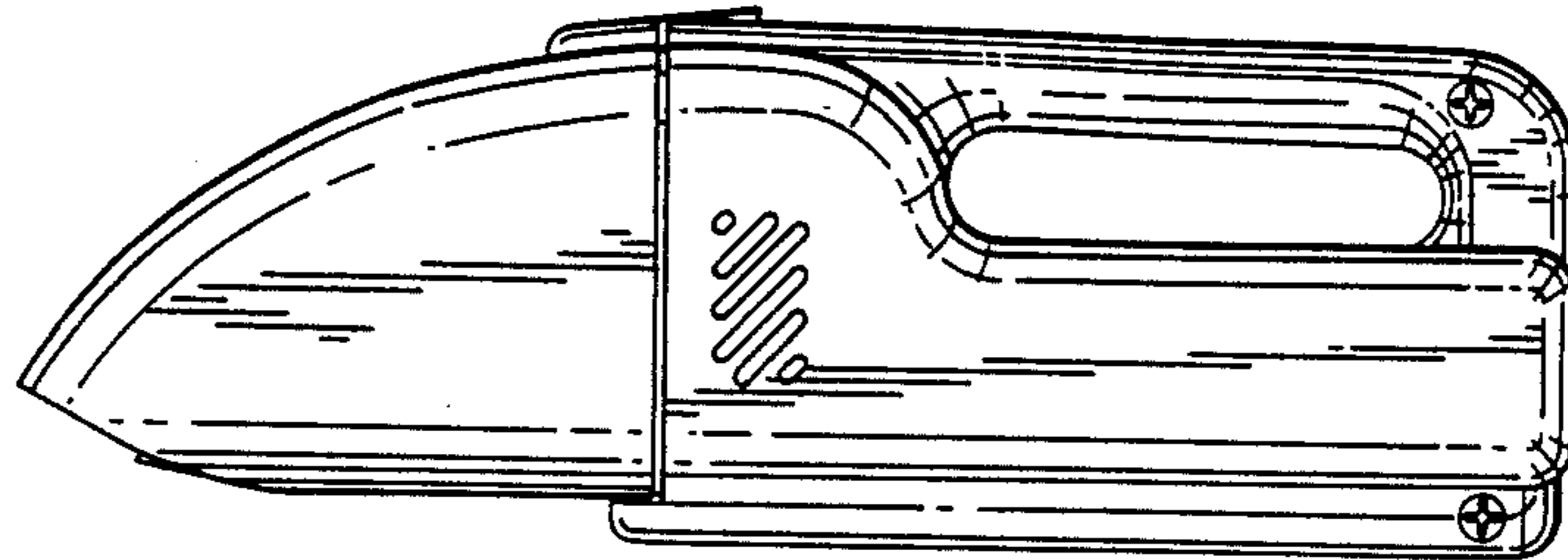
Primary Examiner—A. Hugo Word
Assistant Examiner—Ruth McInroy
Attorney, Agent, or Firm—Fay, Sharpe, Beall, Fagan, Minnich & McKee

[57] CLAIM

The ornamental design for a rechargeable vacuum cleaner, as shown and described.

DESCRIPTION

FIG. 1 is a left side elevational view of a rechargeable vacuum cleaner showing my new design; FIG. 2 is a top plan view thereof; FIG. 3 is a right side elevational view thereof; FIG. 4 is a bottom plan view thereof; FIG. 5 is a rear elevational view thereof; FIG. 6 is a front elevational view thereof; and FIG. 7 is a top, front and left side perspective view thereof.



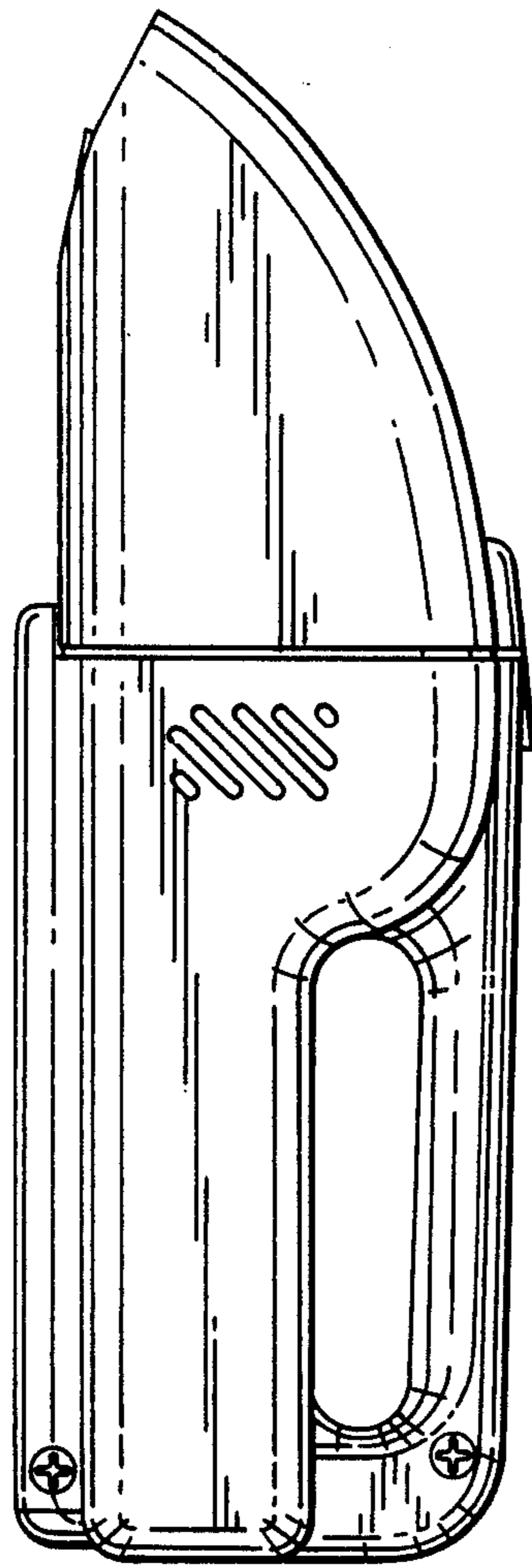


FIG. 1

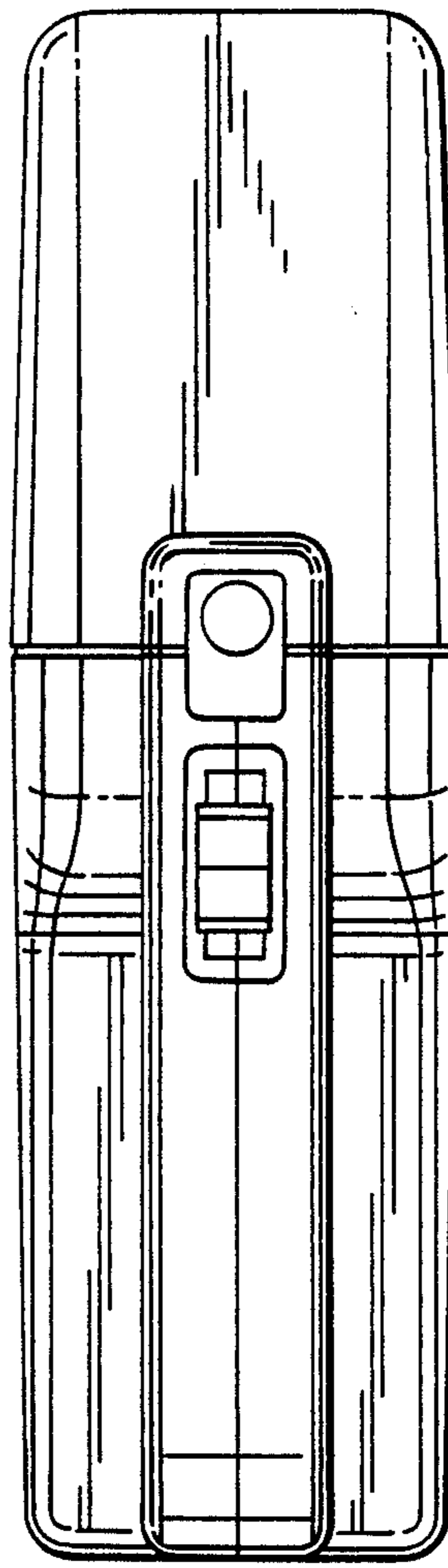


FIG. 2

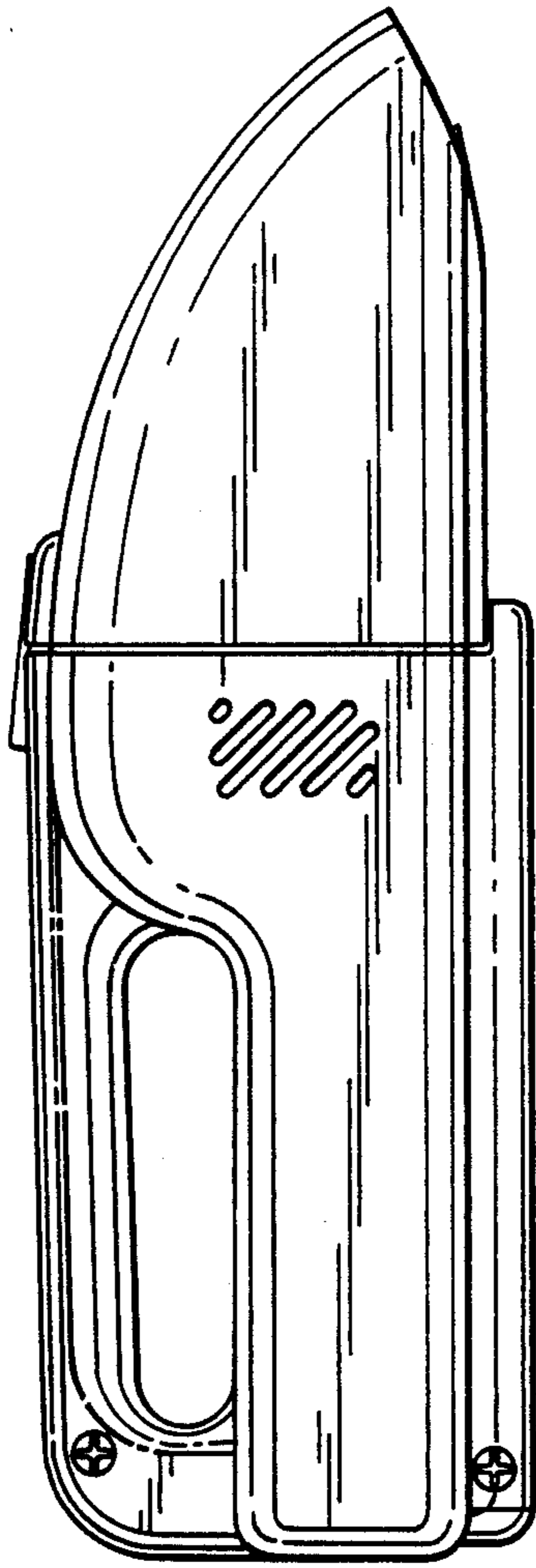


FIG. 3

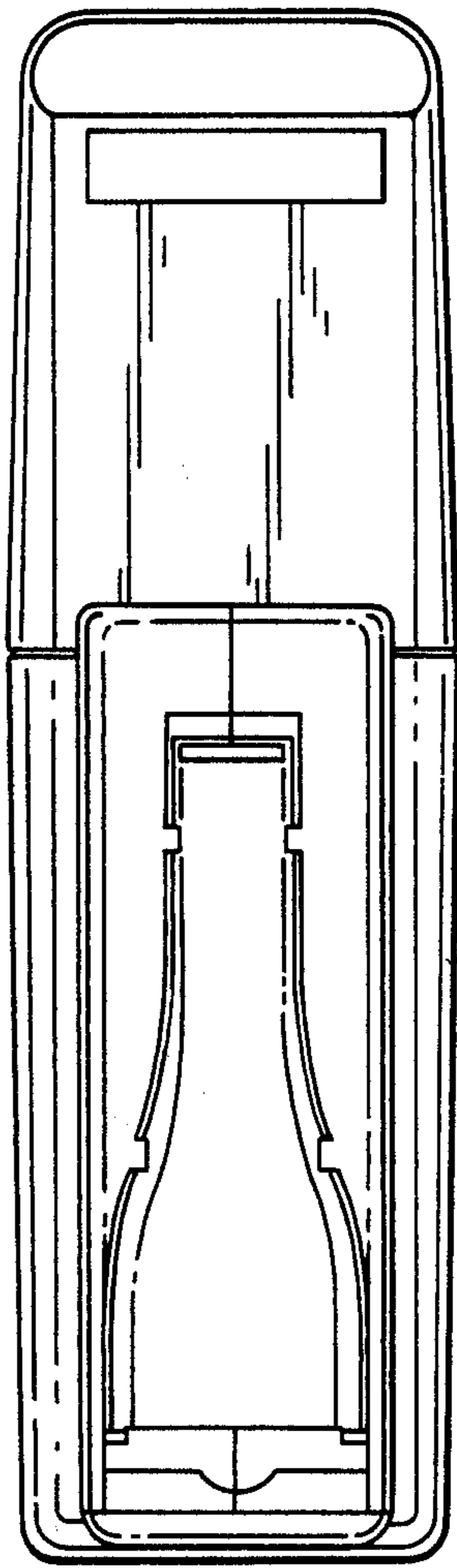


FIG. 4

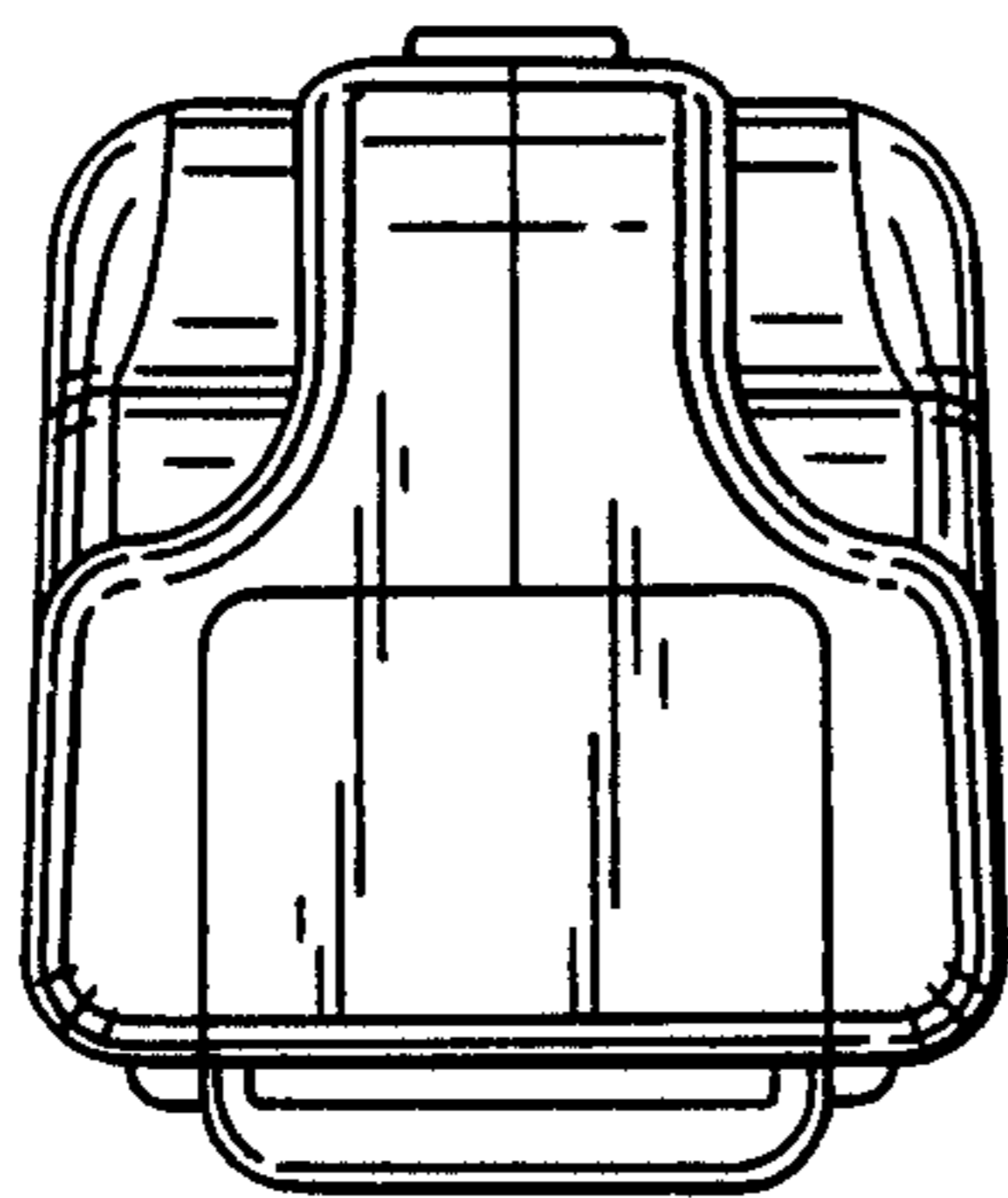


FIG. 5

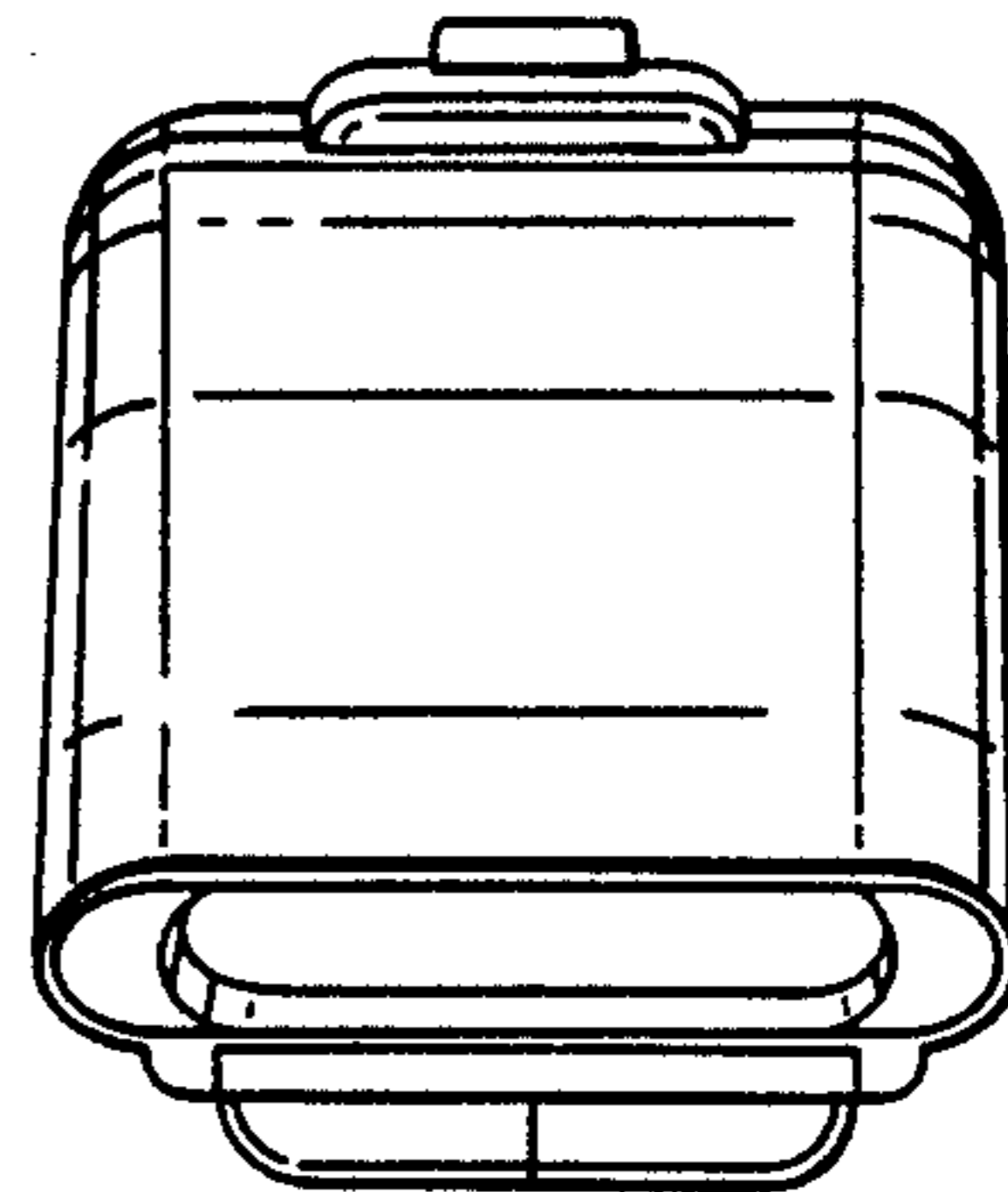


FIG. 6

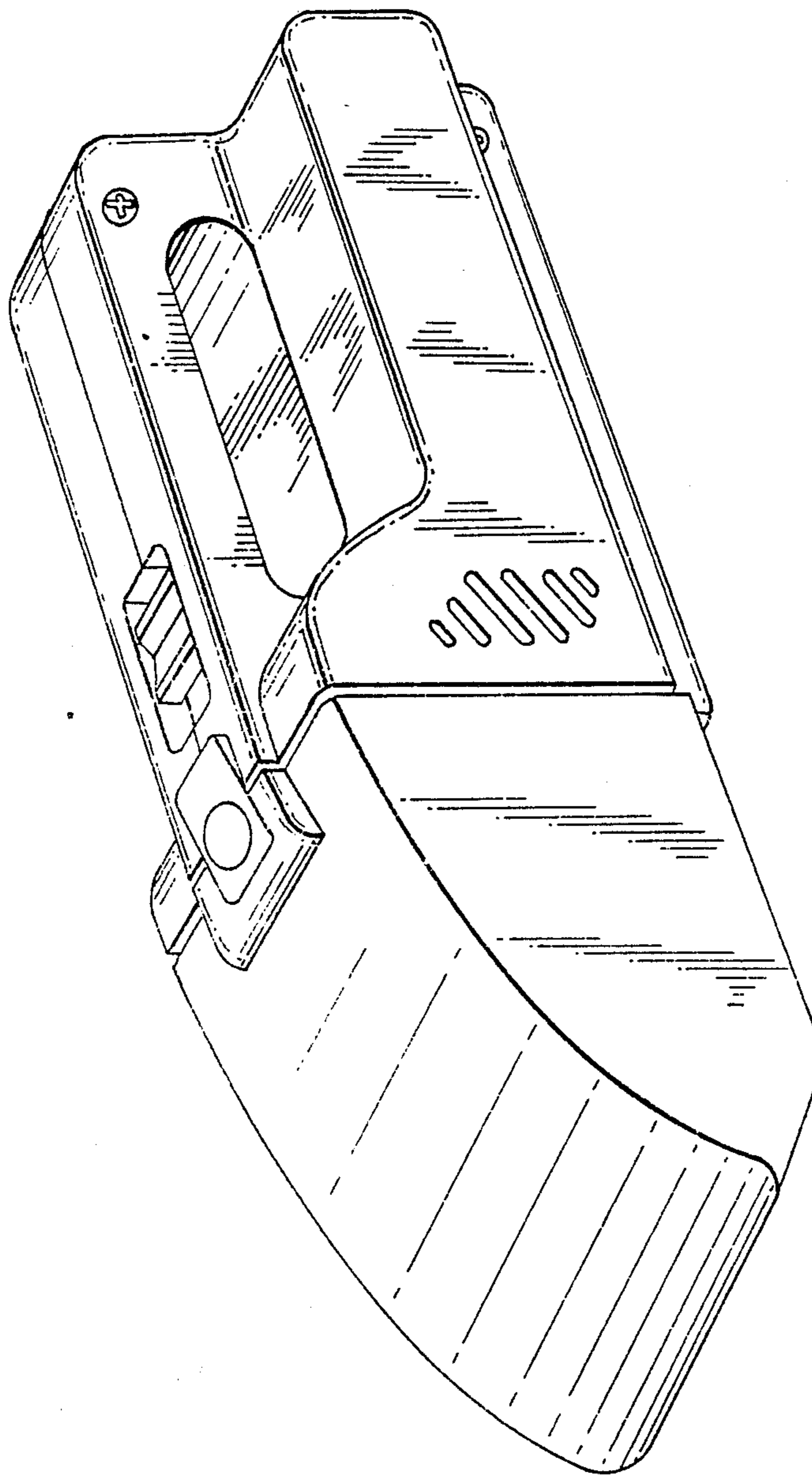


FIG. 7