

[54] **GOLF BALL WASHING MACHINE**

[76] **Inventor: Derone W. Thrasher, 26661 S. MacArthur, Tracy, Calif. 95376**

[**] **Term: 14 Years**

[21] **Appl. No.: 115,097**

[22] **Filed: Nov. 2, 1987**

[52] **U.S. Cl. D32/1**

[58] **Field of Search D32/1, 25, 29, 30; 15/21 A, 21 D, 97 R, 3.15**

[56] **References Cited**

U.S. PATENT DOCUMENTS

D. 237,005	9/1975	Akel	D32/1
3,120,669	2/1964	Montuori	15/3.13
3,949,443	4/1976	Edgar	15/21 A
4,805,251	2/1989	Hollrock	15/21 A

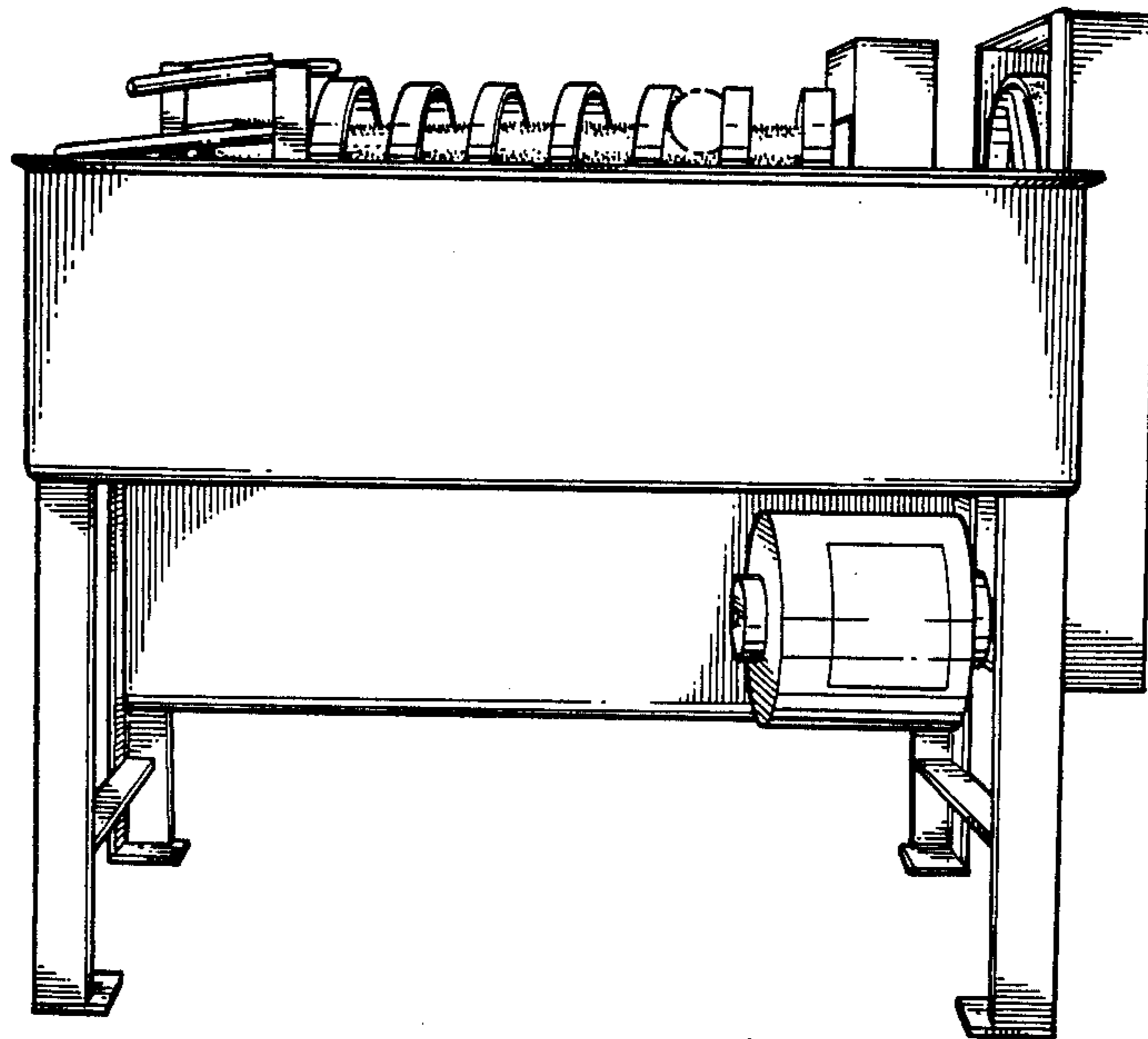
Primary Examiner—A. Hugo Word
Assistant Examiner—R. McInroy
Attorney, Agent, or Firm—Basil B. Travis

[57] **CLAIM**

The ornamental design for a golf ball washing machine, as shown and described.

DESCRIPTION

FIG. 1 is a top perspective view of a golf ball washing machine showing my new design; FIG. 2 is a front perspective view thereof, the golf ball shown in broken lines is for illustrative purposes only and forms no part of the claimed design; FIG. 3 is a rear elevational view thereof; FIG. 4 is an end elevational view thereof; FIG. 5 is an end elevational view of the opposite end of FIG. 4; and FIG. 6 is a bottom plan view.



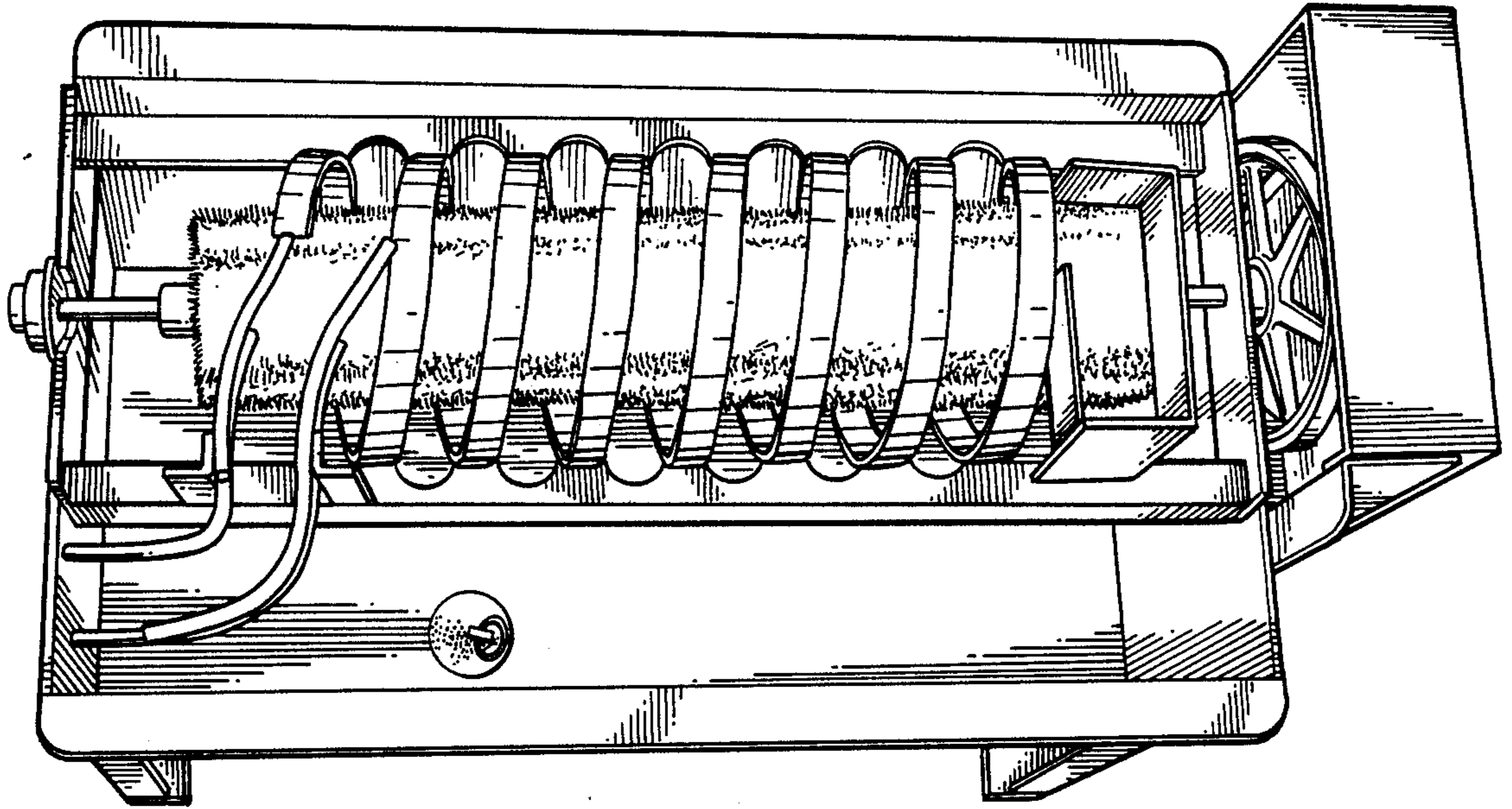


FIG. 1

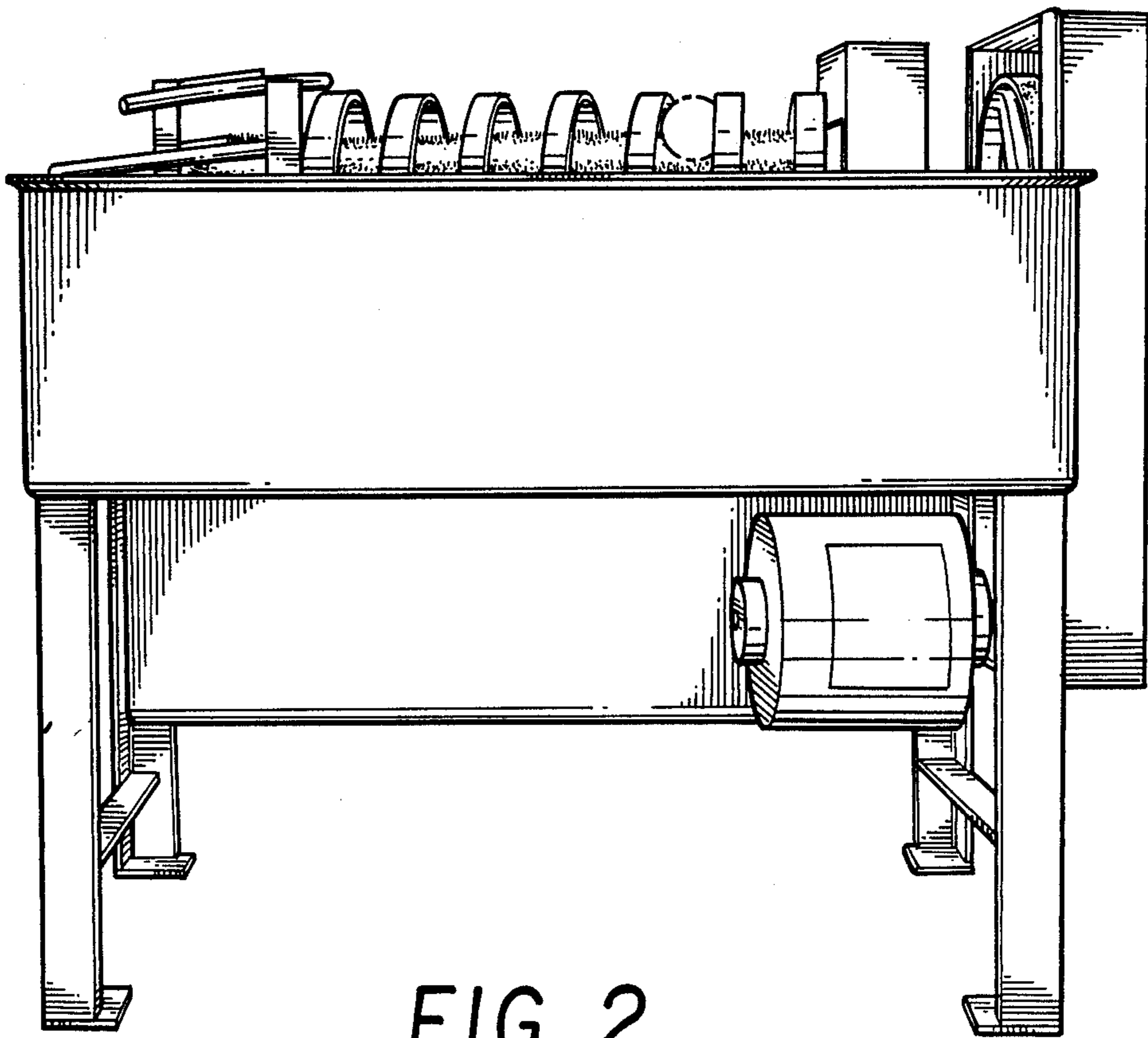


FIG. 2

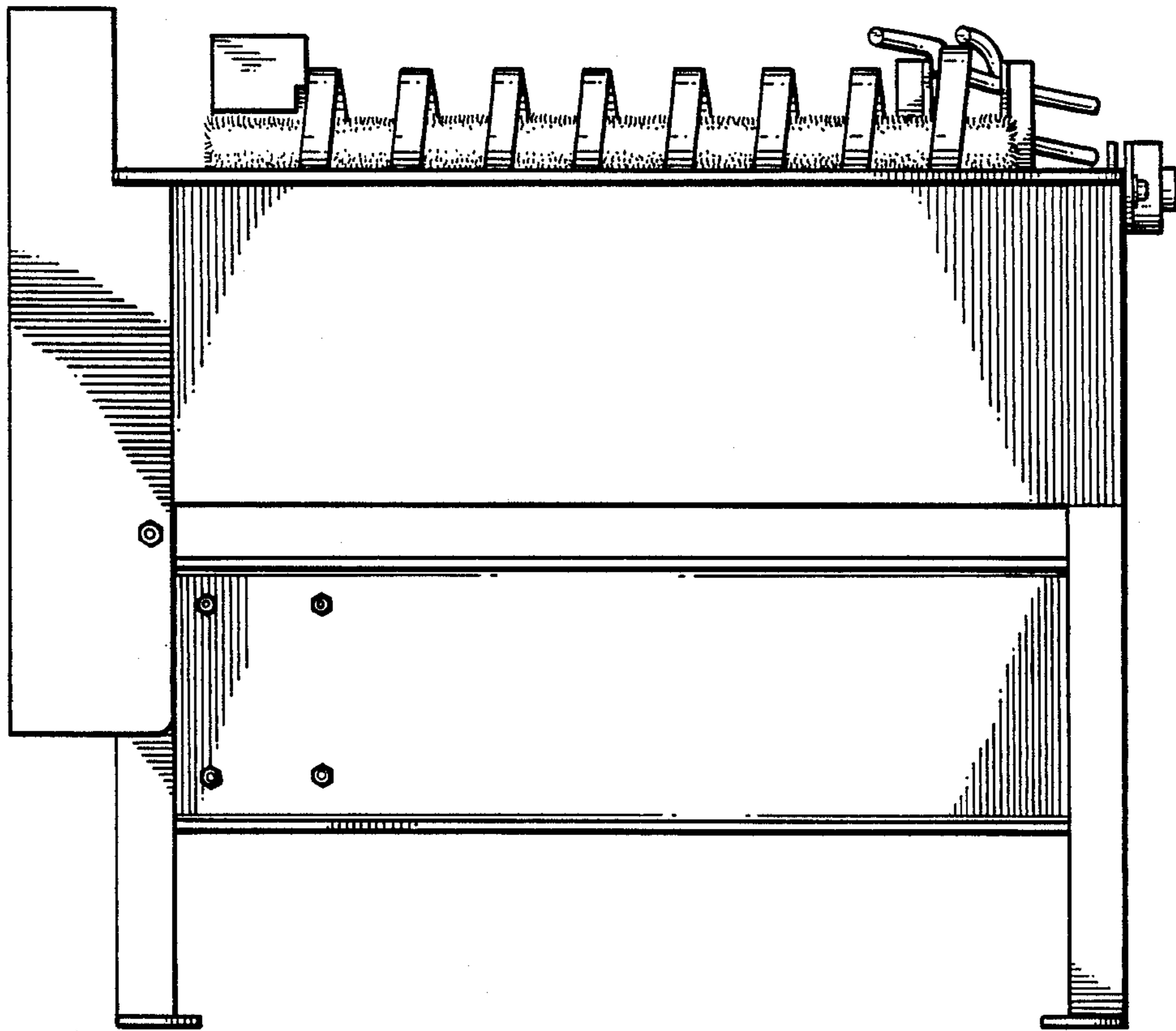


FIG. 3

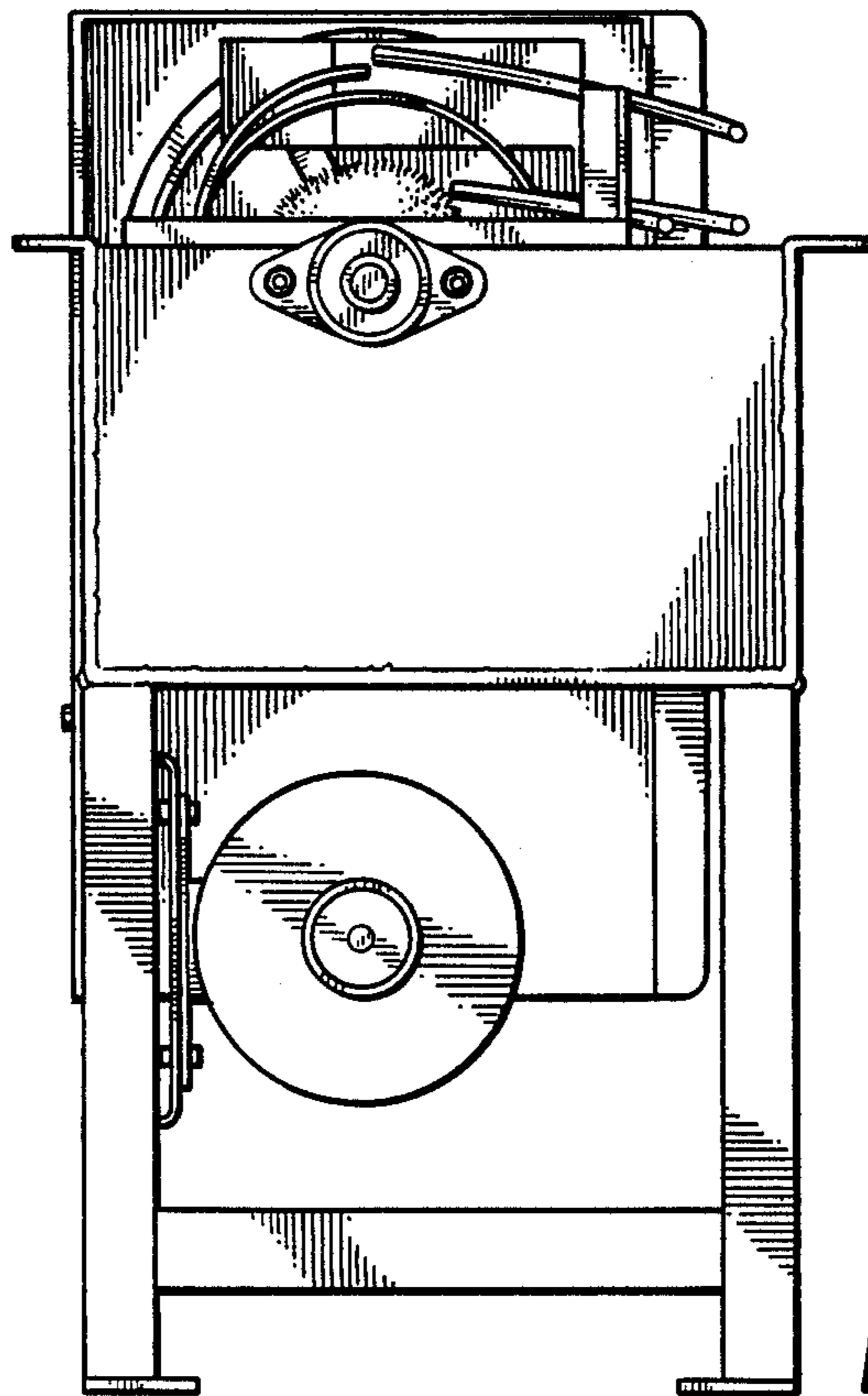


FIG. 4

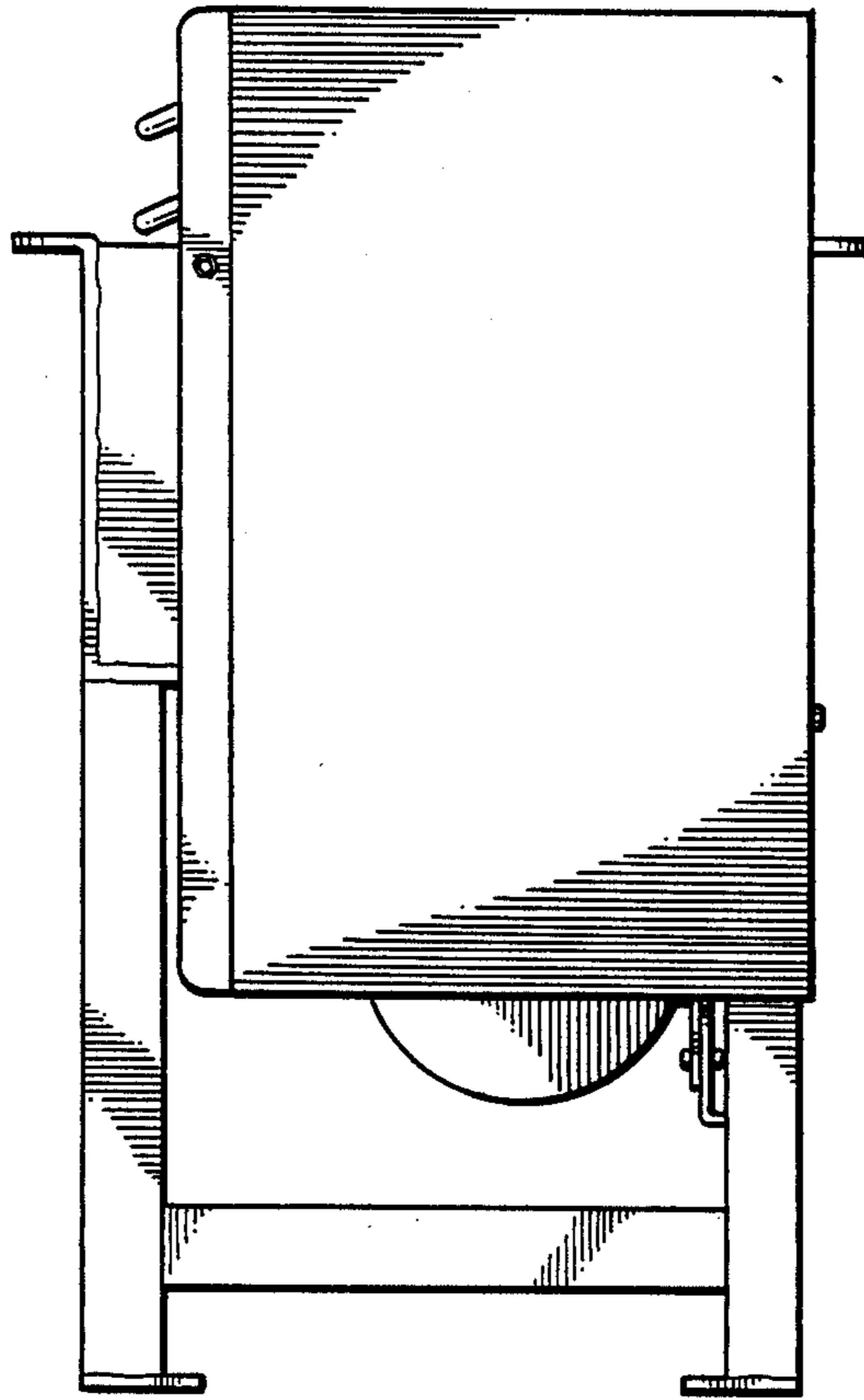


FIG. 5

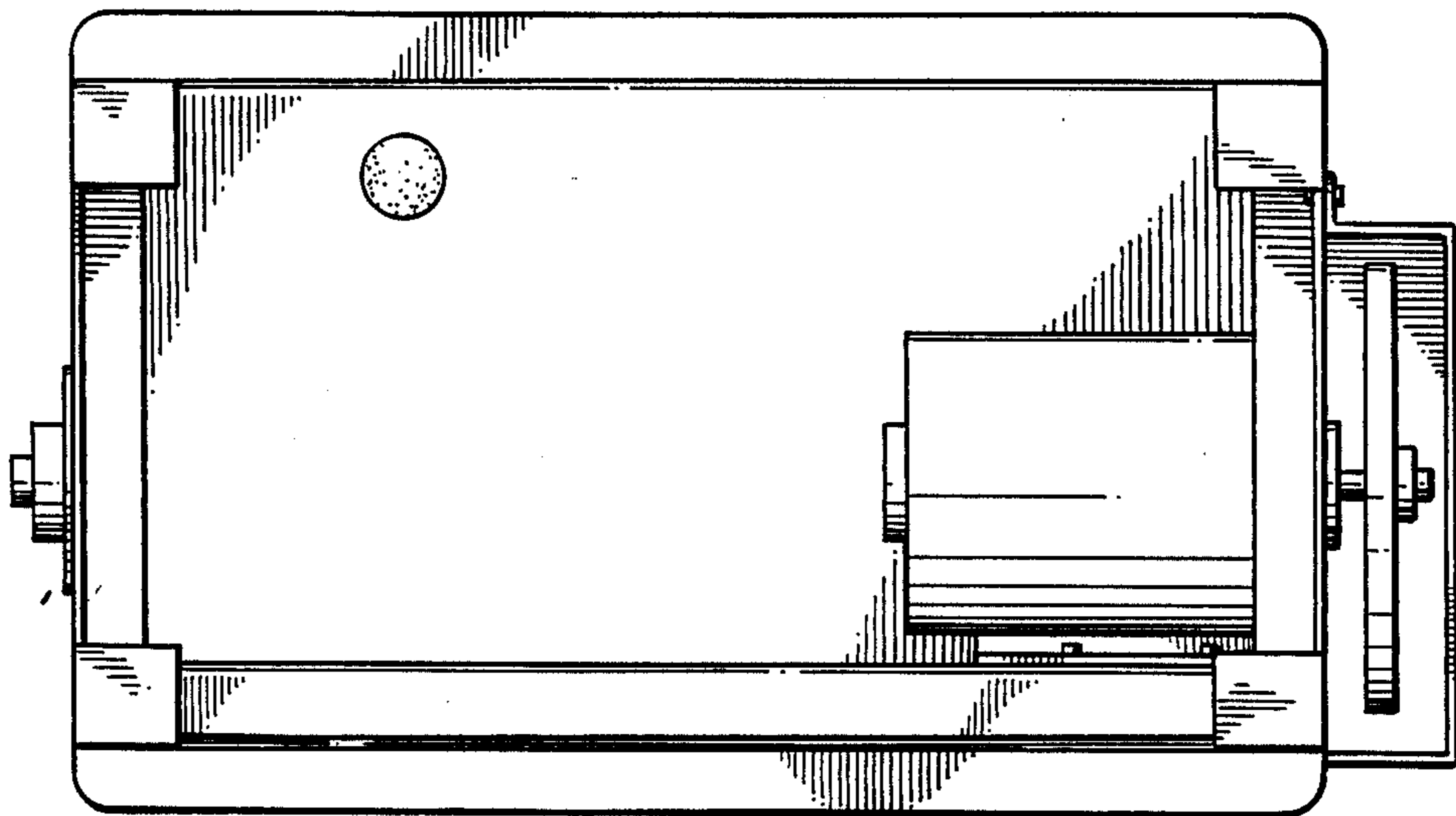


FIG. 6