

[54] HANDLE FOR FIRE EXTINGUISHER

[75] Inventor: Esmat Macramalla, Beaconsfield, Canada

[73] Assignee: Incendex Inc., Quebec, Canada

[**] Term: 14 Years

[21] Appl. No.: 165,882

[22] Filed: Mar. 4, 1988

[52] U.S. Cl. D29/5; D23/225

[58] Field of Search D29/1-5; 169/30, 89, 51, 70, 77, 71, 74, 75; 222/473, 471, 472; D23/213, 225, 226

[56] References Cited

U.S. PATENT DOCUMENTS

D. 186,765	12/1959	Hose	D29/5
D. 191,476	10/1961	Palma, Jr.	D23/225
D. 271,613	11/1983	Watkins	D23/225
D. 290,298	6/1987	Sinclair	D29/5
4,619,328	10/1986	Seyler et al.	169/74

FOREIGN PATENT DOCUMENTS

2746175 4/1979 Fed. Rep. of Germany 169/75

Primary Examiner—Wallace R. Burke

Assistant Examiner—Kay H. Chin

Attorney, Agent, or Firm—Oblon, Spivak, McClelland, Maier & Neustadt

[57] CLAIM

The ornamental design for a handle for fire extinguisher, as shown and described.

DESCRIPTION

FIG. 1 is a top perspective view of a handle for fire extinguisher showing my new design;

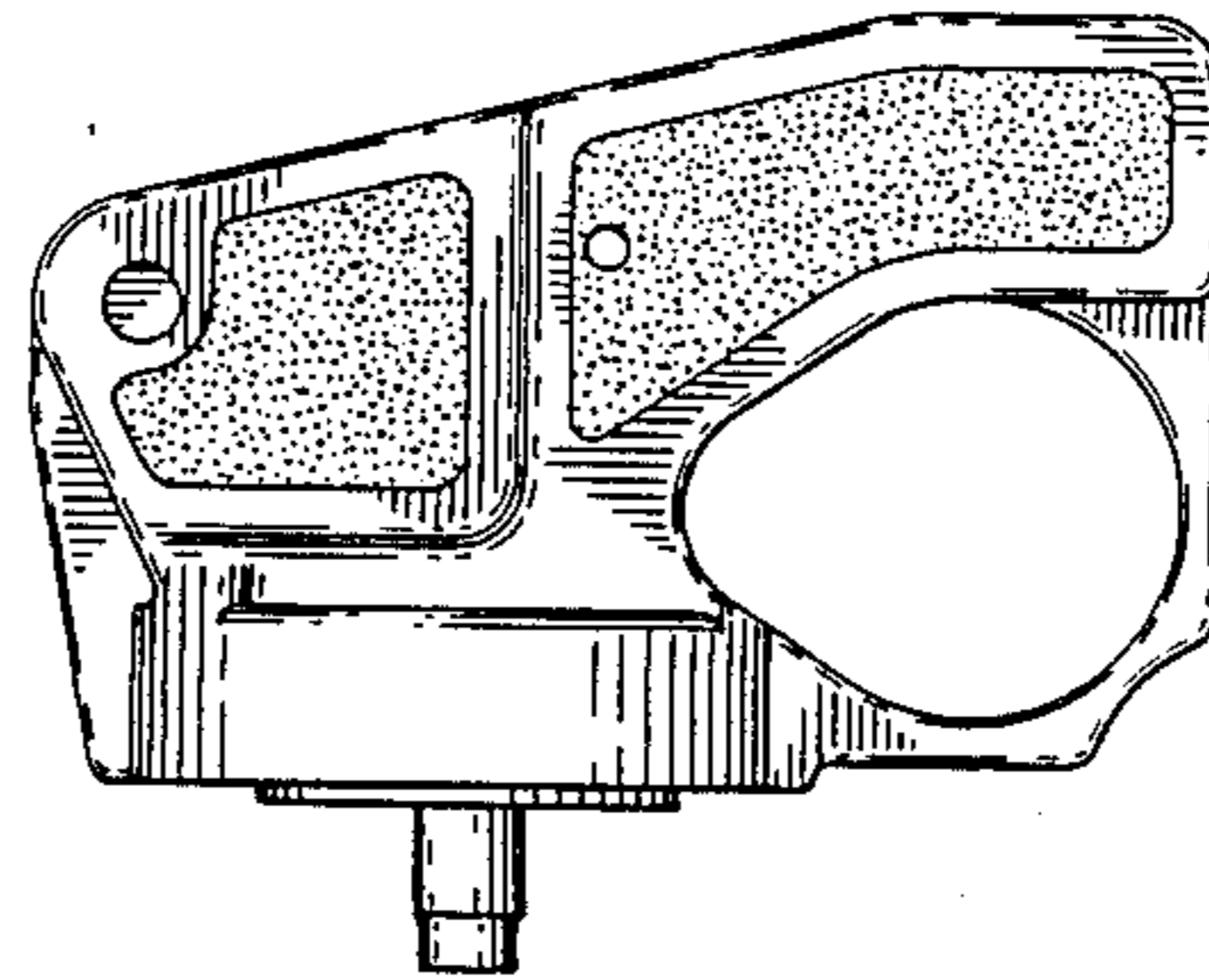
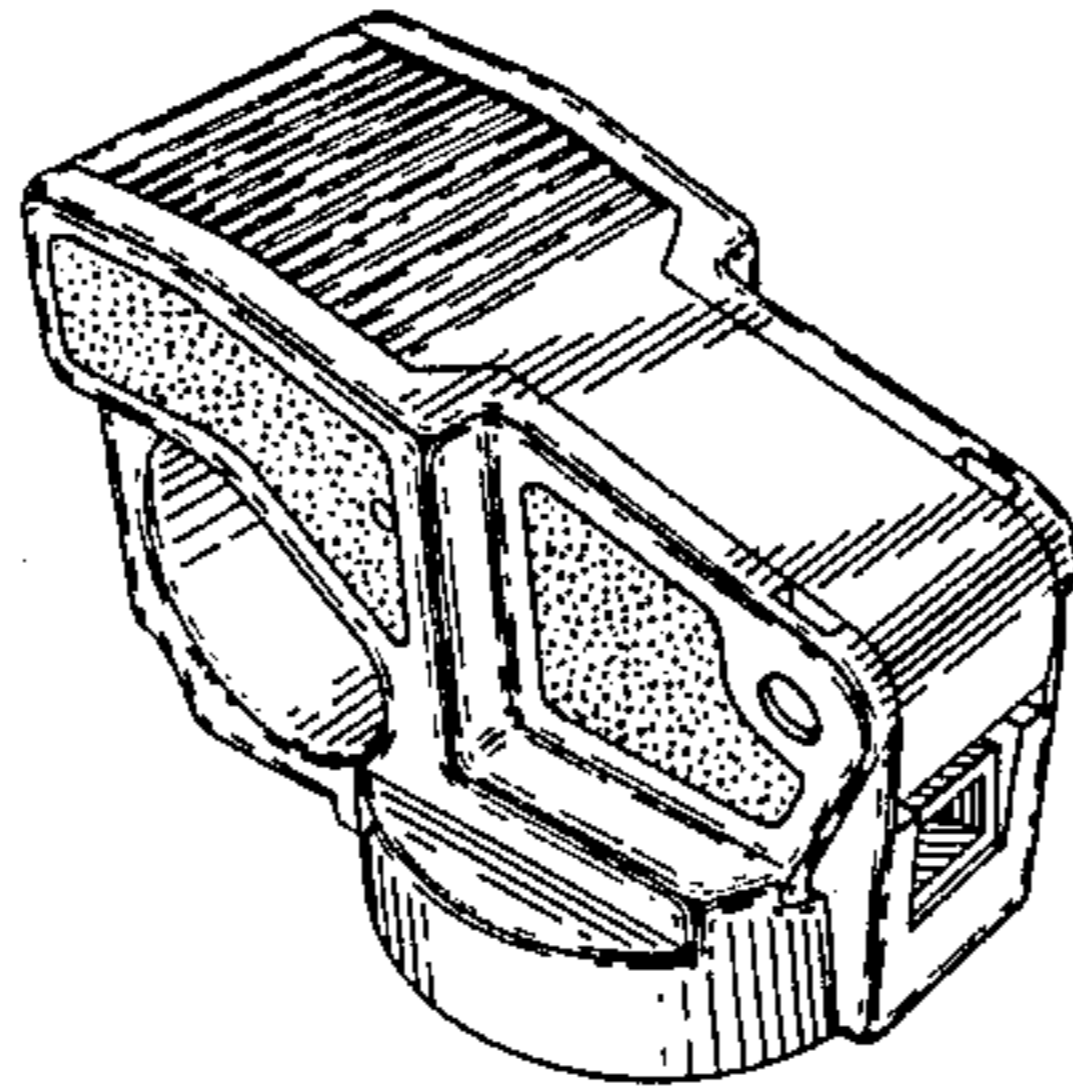
FIG. 2 is a side elevational view thereof, the opposite side elevational view being a mirror image of that shown;

FIG. 3 is a front elevational view thereof;

FIG. 4 is a top plan view thereof;

FIG. 5 is a rear elevational view thereof; and

FIG. 6 is a bottom plan view thereof.



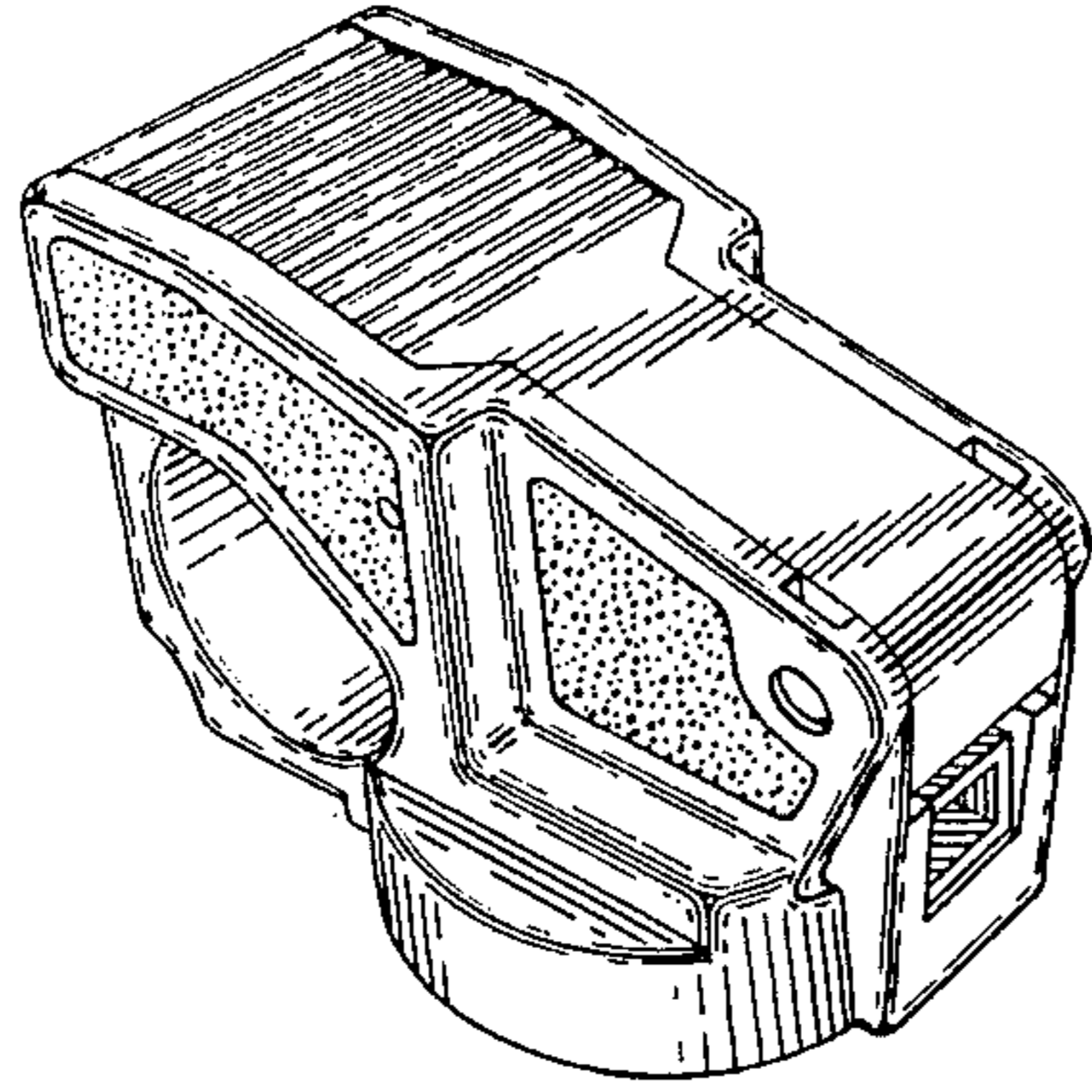


FIG. 1

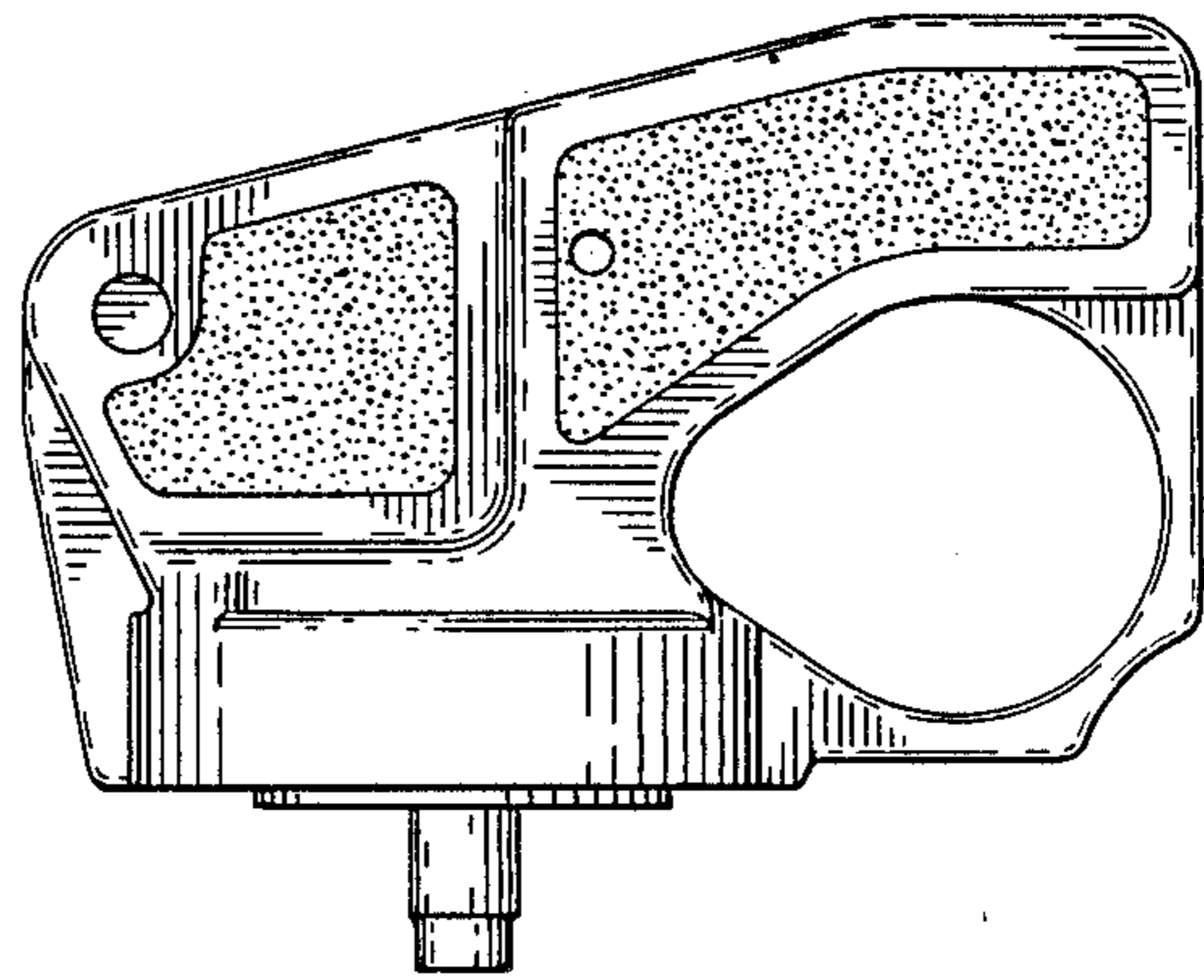


FIG. 2

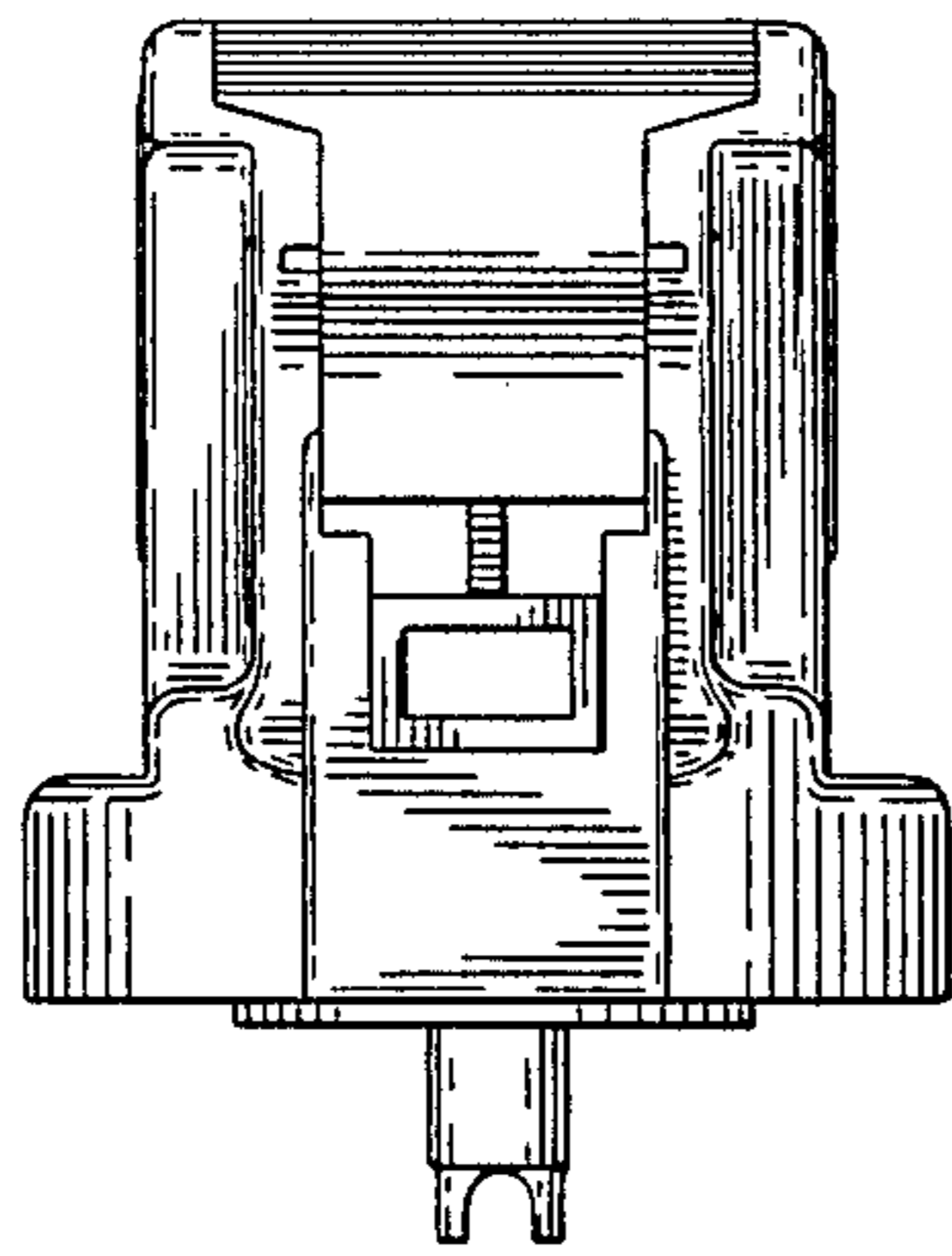


FIG. 3

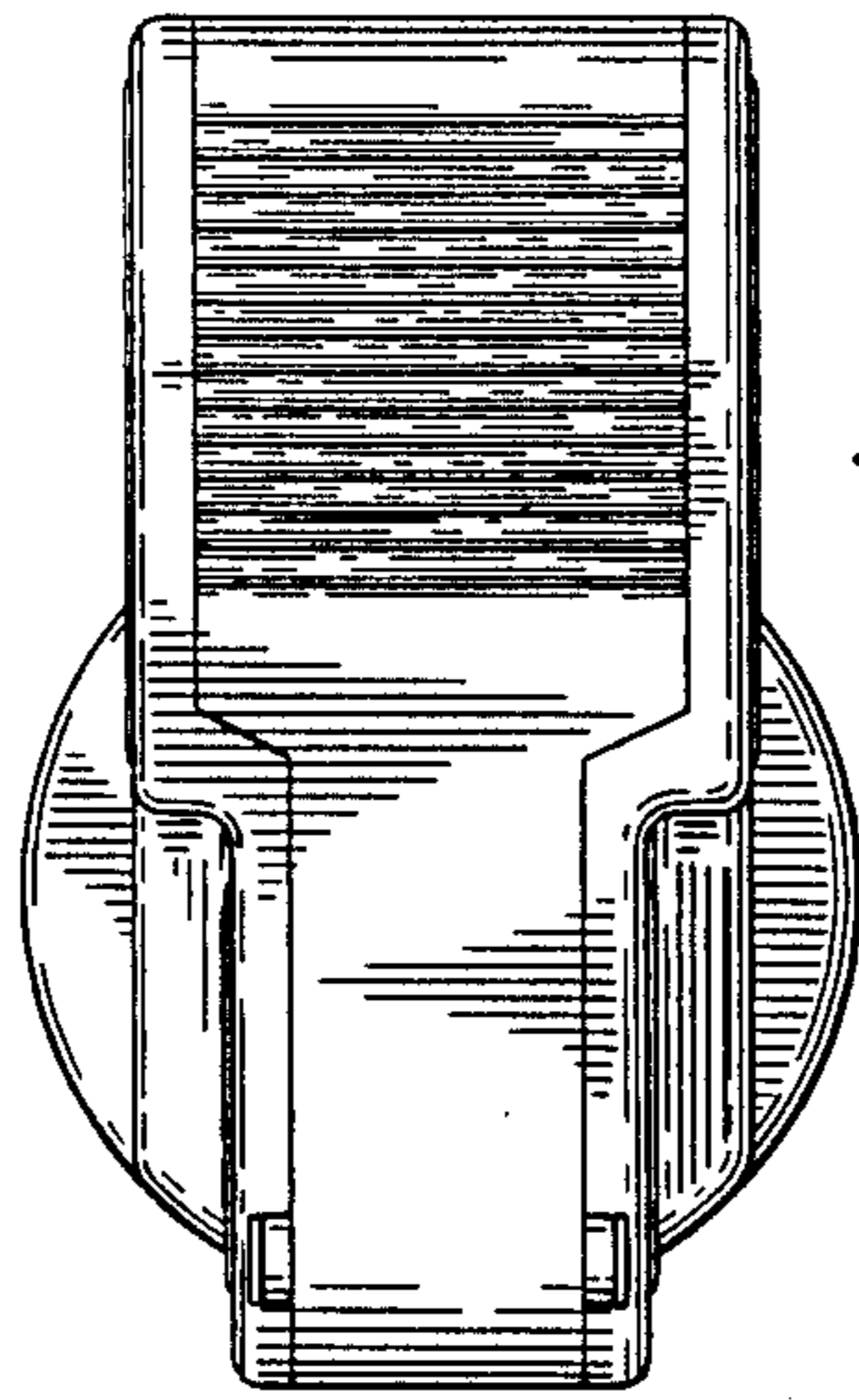


FIG. 4

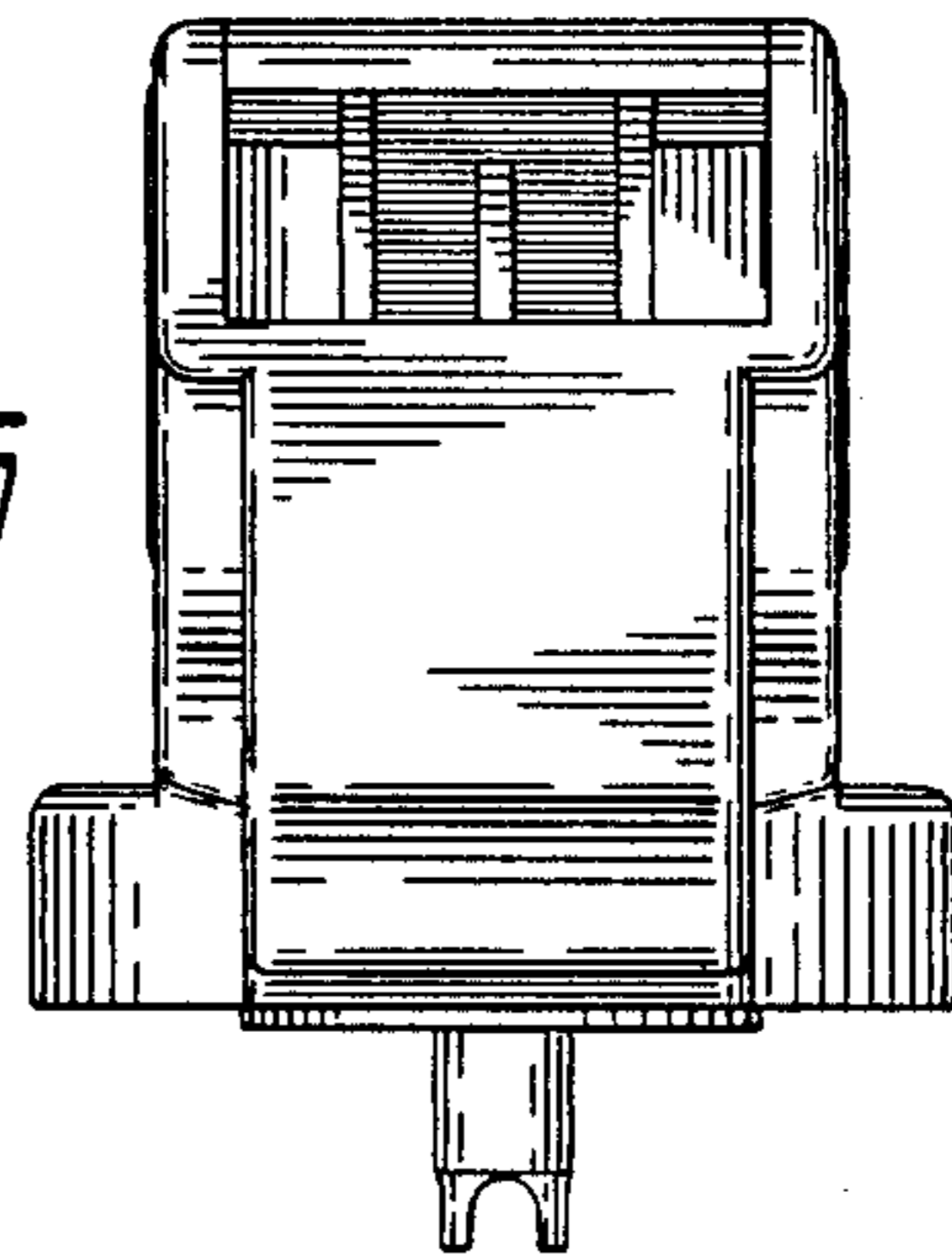


FIG. 5

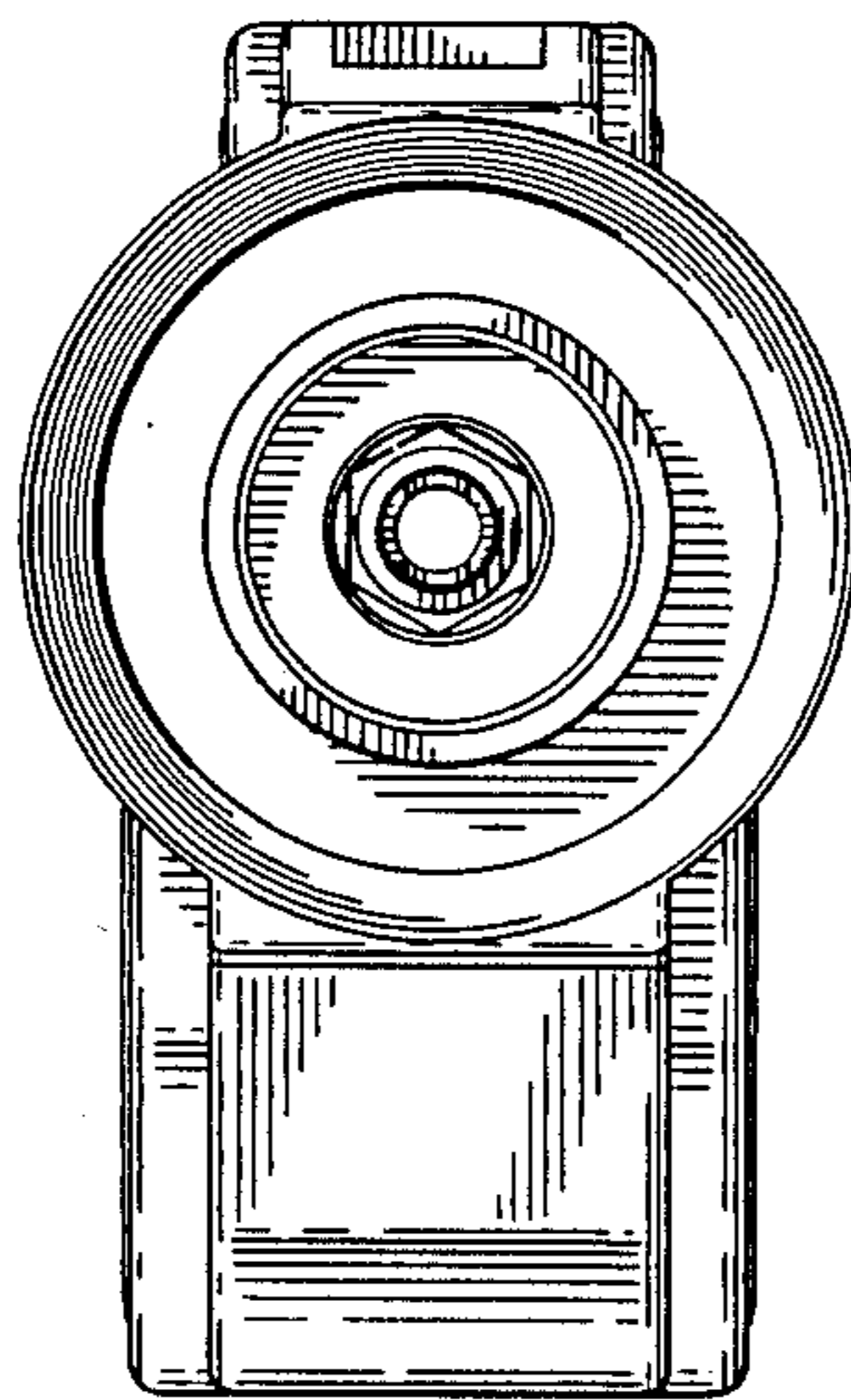


FIG. 6