

[54] LAMP

[75] Inventors: Kirti B. Chakrabarti, Danvers, Mass.; Donald F. Garrity, Jr., Chester, N.H.; James L. Cashman, III, Salem, Mass.

[73] Assignee: GTE Products Corporation, Danvers, Mass.

[\*\*] Term: 14 Years

[21] Appl. No.: 942,641

[22] Filed: Dec. 16, 1986

[52] U.S. Cl. .... D26/2

[58] Field of Search ..... D26/1, 2, 3; 313/315, 313/317, 318, 110, 113, 116, 567, 569, 491, 493, 573; 315/56, 57, 58, 73

[56] References Cited

U.S. PATENT DOCUMENTS

3,622,832	11/1971	Schlessel et al. ....	313/318
4,084,112	4/1978	Hebert et al. ....	313/318 X
4,568,854	2/1986	Westlund, Jr. et al. ....	313/579
4,716,508	12/1987	Kramer .....	362/307 X

Primary Examiner—Susan J. Lucas  
Attorney, Agent, or Firm—Joseph S. Romanow

[57] CLAIM

The ornamental design for a lamp, as shown and described.

DESCRIPTION

FIG. 1 is a front perspective view of a lamp showing our new design;

FIG. 2 is a front elevational view thereof;

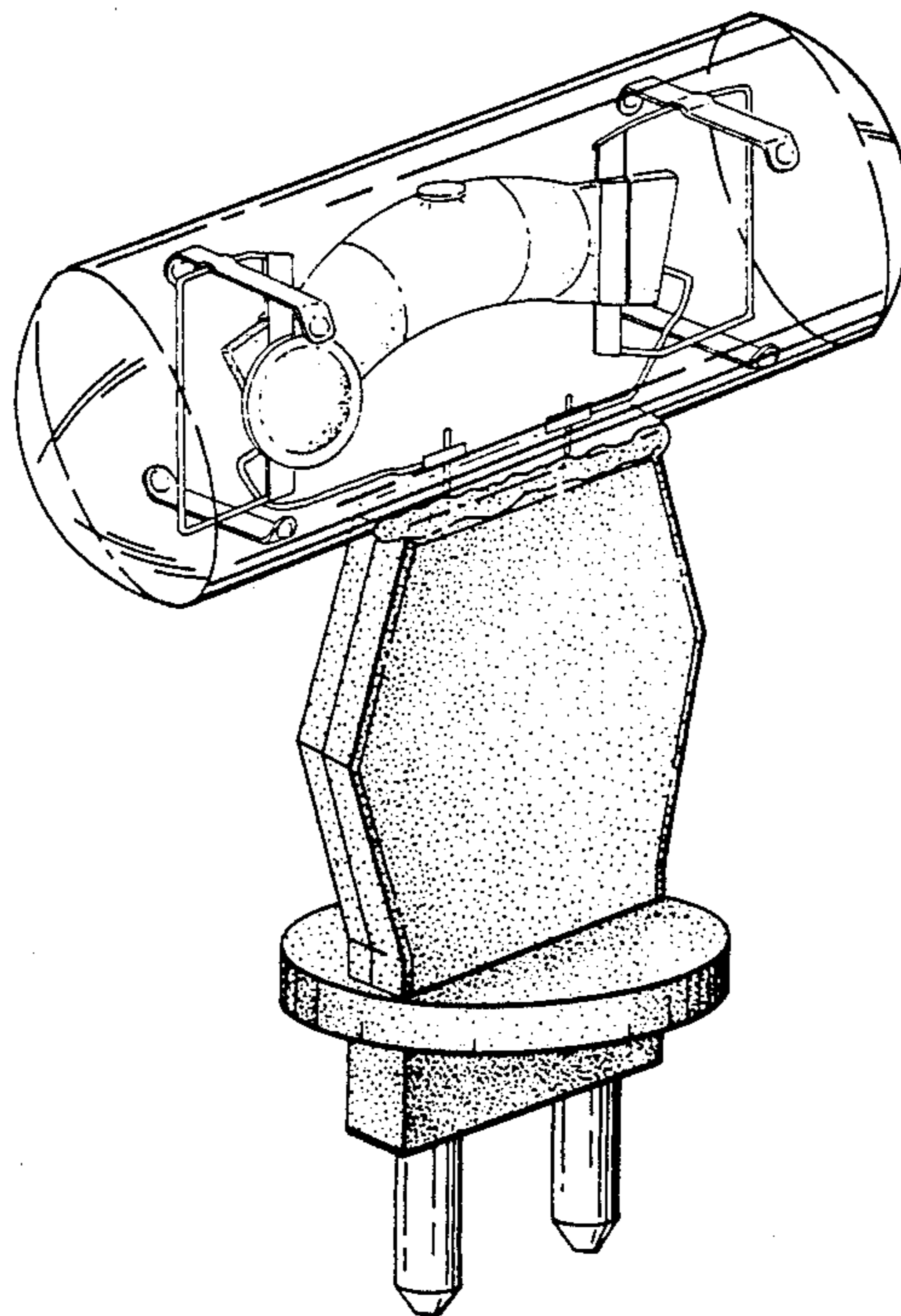
FIG. 3 is a top plan view thereof;

FIG. 4 is a bottom plan view thereof;

FIG. 5 is a left side elevational view thereof;

FIG. 6 is a right side elevational view thereof; and

FIG. 7 is a rear elevational view thereof.



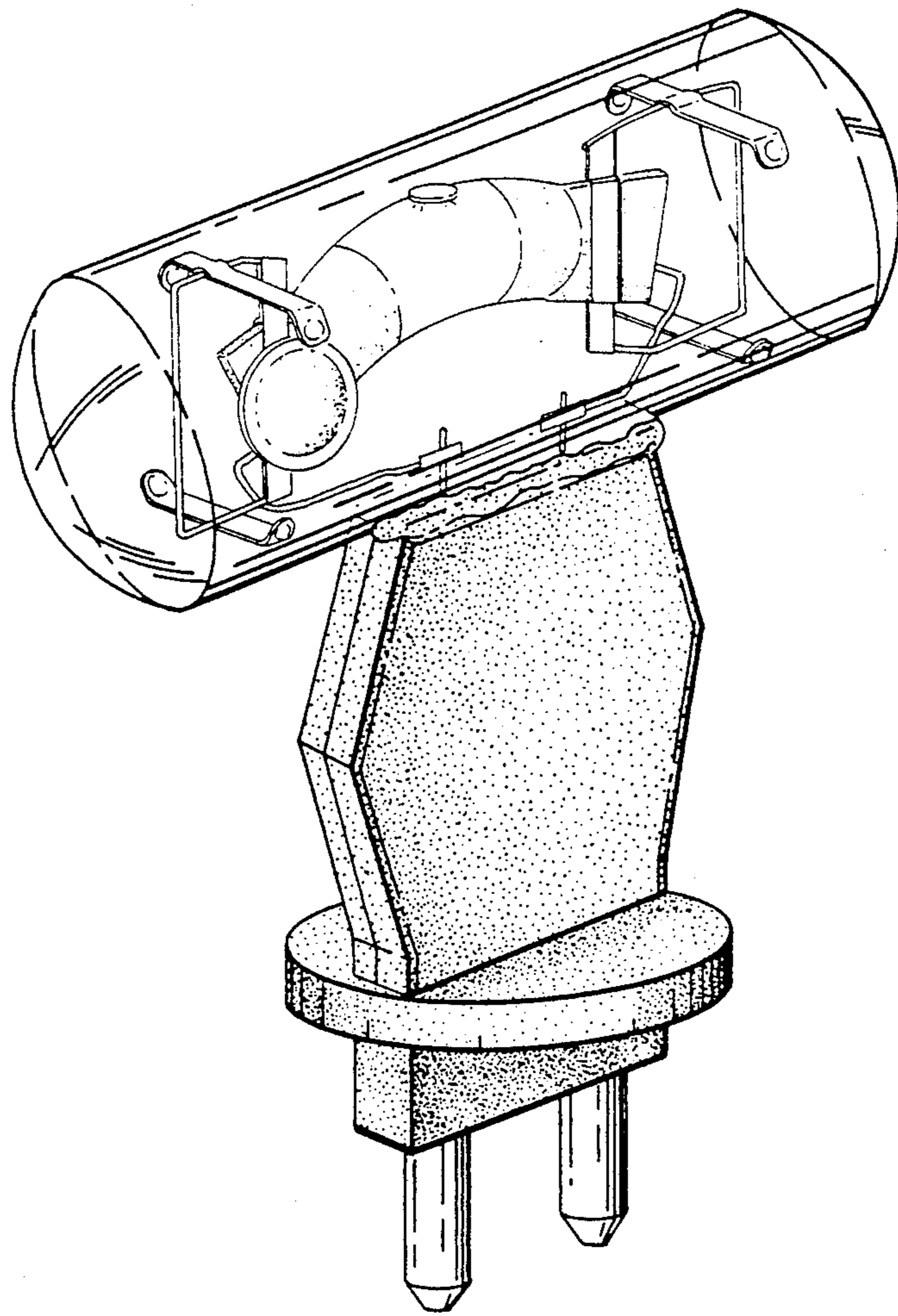


FIG. 1

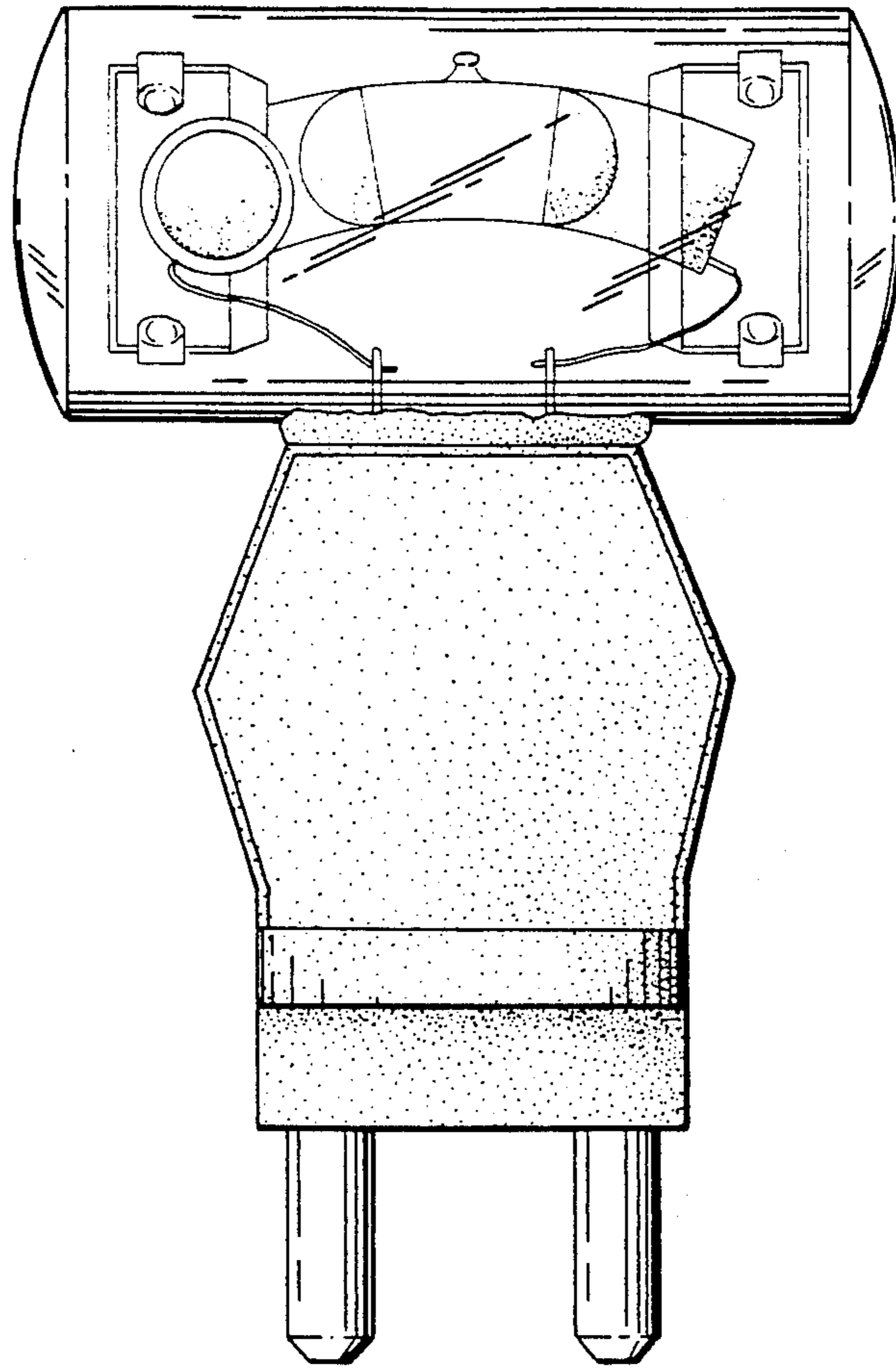


FIG. 2

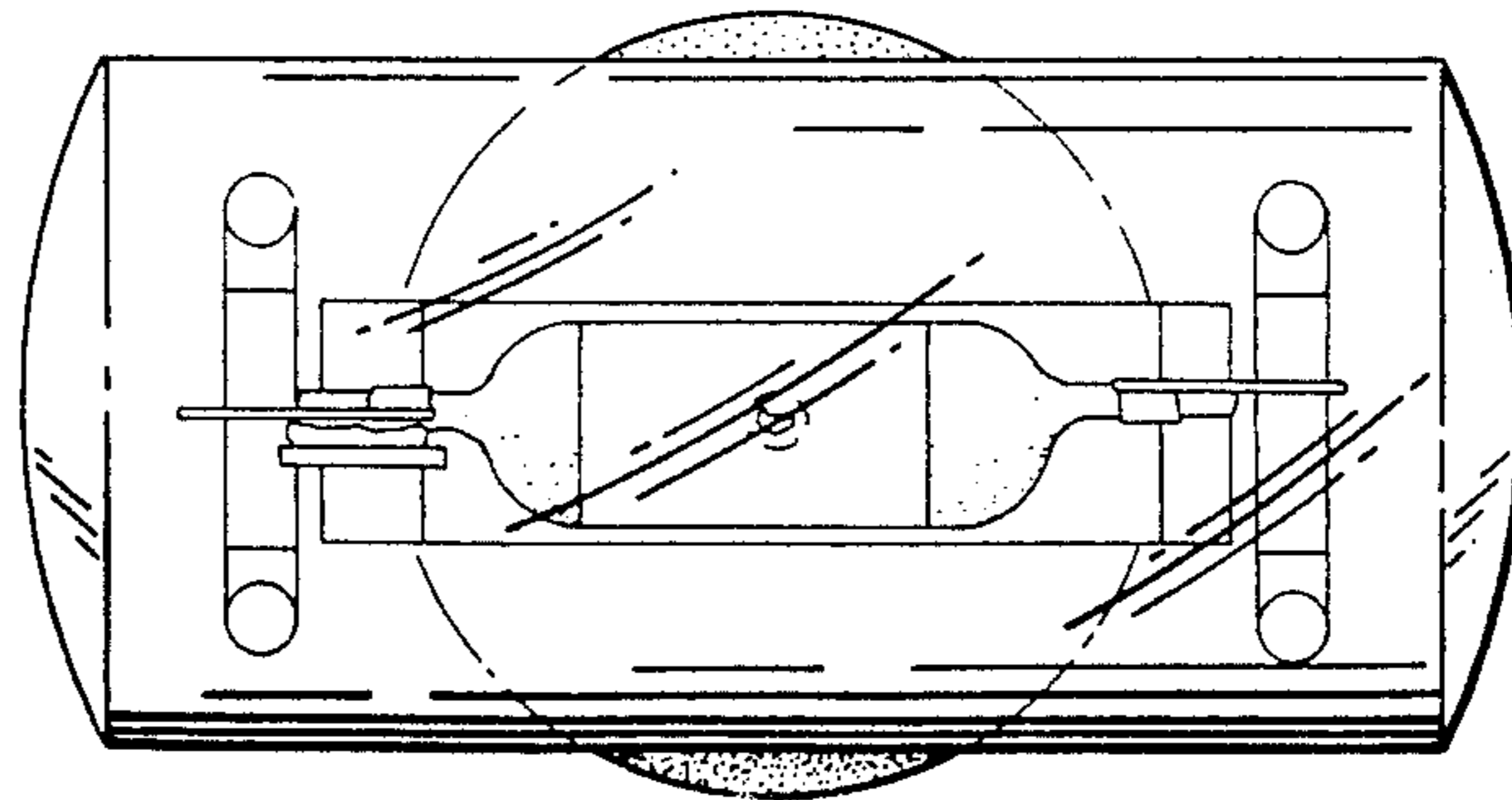


FIG. 3

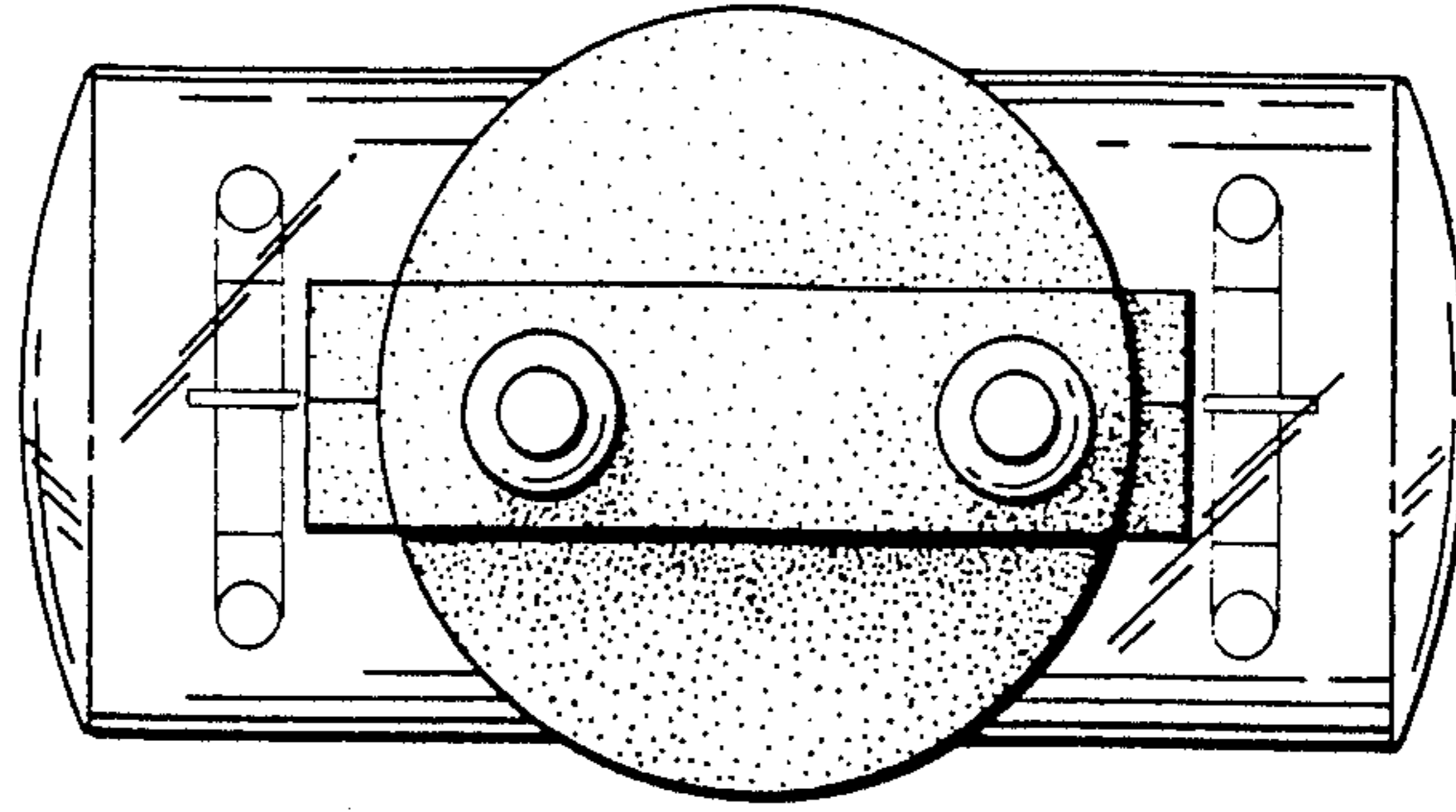


FIG. 4

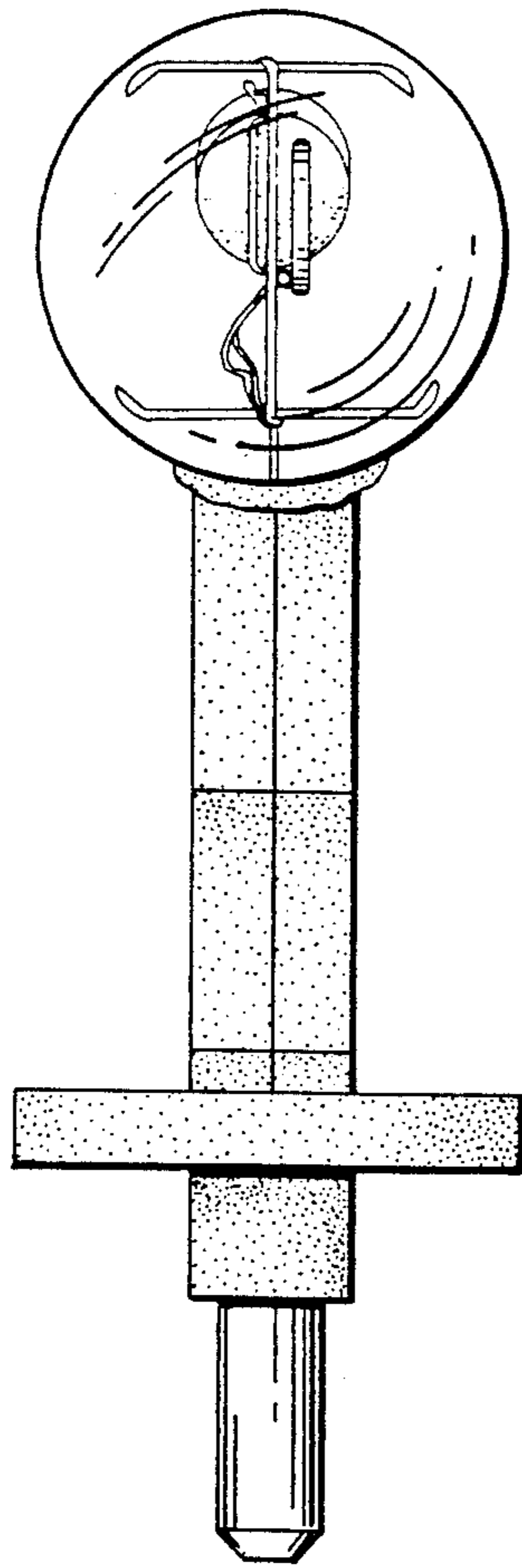


FIG. 5

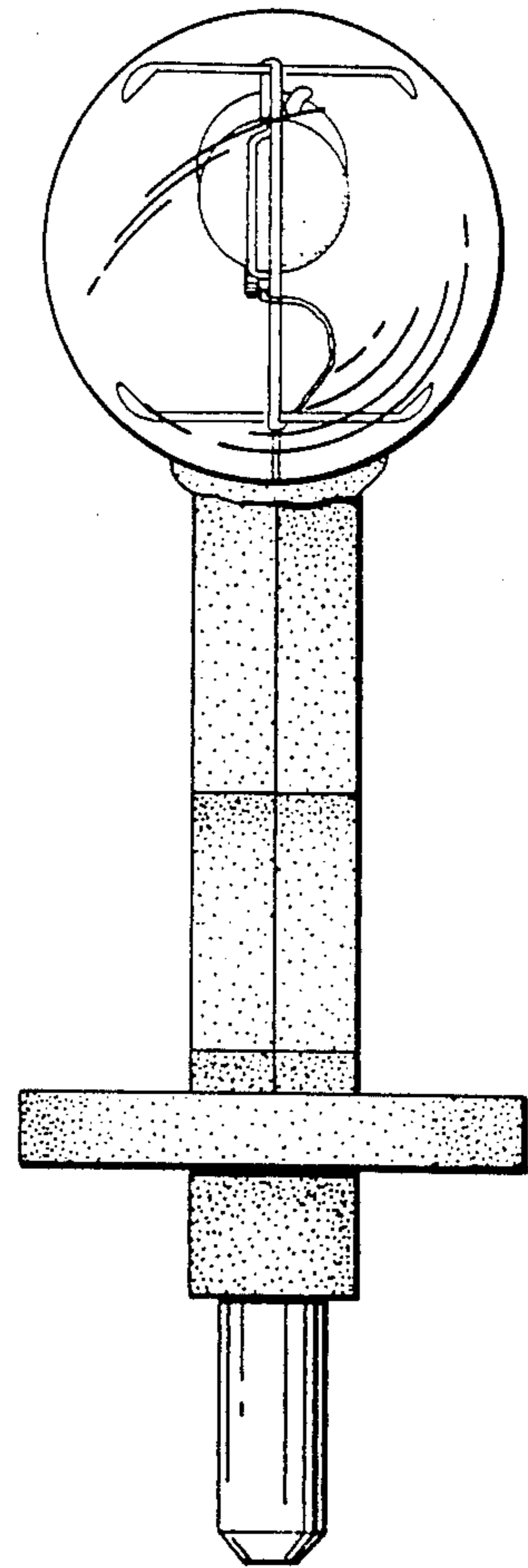


FIG. 6

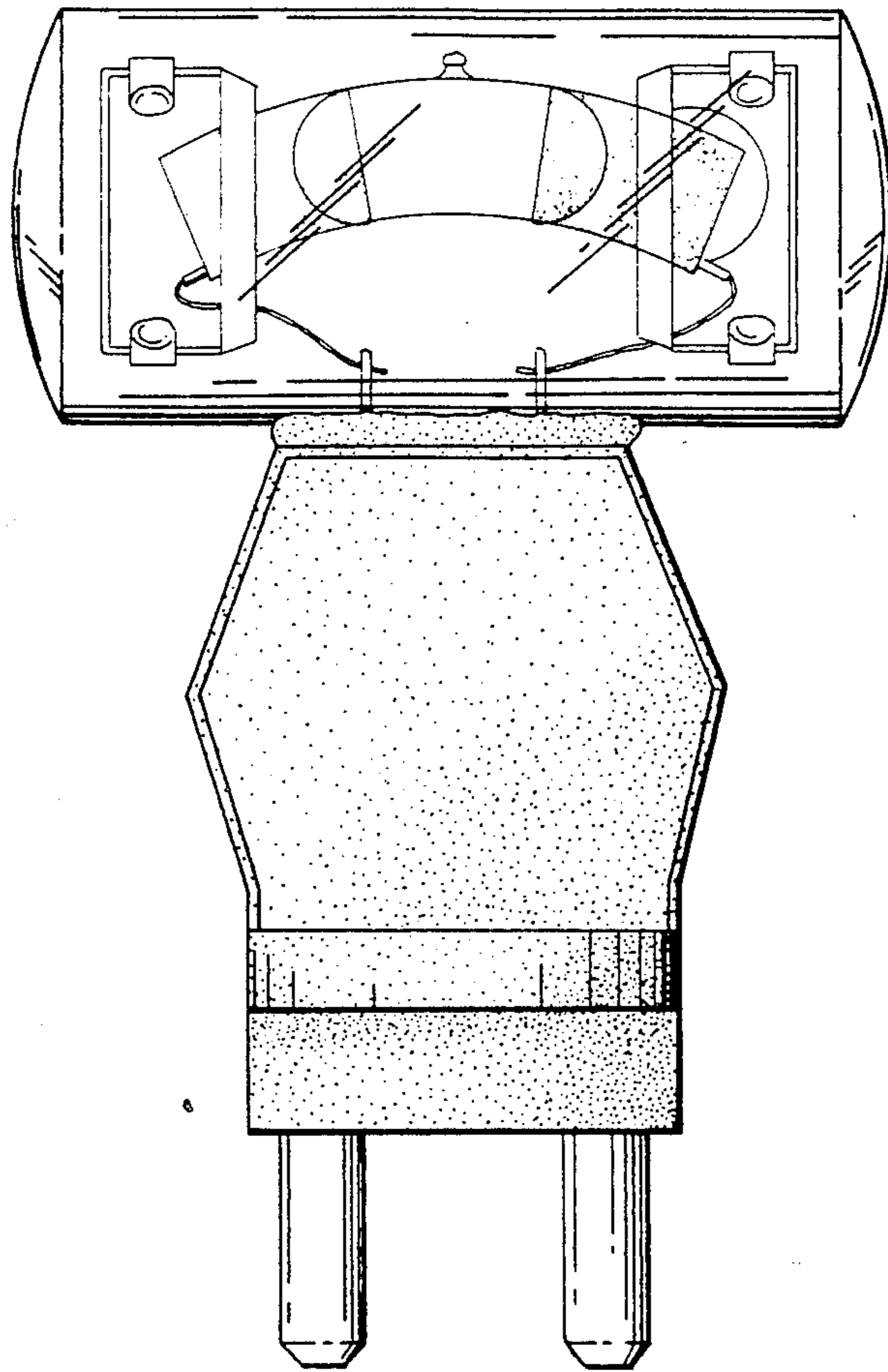


FIG. 7