

[54] MEDICATION INFUSION CASSETTE

[75] Inventor: Lanny A. Gorton, Sunland, Calif.

[73] Assignee: Pacesetter Infusion, Ltd., Sylmar, Calif.

[**] Term: 14 Years

[21] Appl. No.: 128,532

[22] Filed: Dec. 1, 1987

[52] U.S. Cl. D24/51

[58] Field of Search D24/51, 8, 29; 604/34, 604/65-67, 151-155, 246, 250, 258; 417/474, 476-478, 360; 128/DIG. 12, DIG. 13

[56] References Cited

U.S. PATENT DOCUMENTS

- D. 238,711 2/1976 Hudspith D24/29
- D. 274,355 6/1984 Cannon D24/8
- 4,204,538 5/1980 Cannon 604/246
- 4,205,238 5/1980 Shim et al. 604/246 X

4,798,589 1/1989 Tseo 604/152

Primary Examiner—A. Hugo Word
Assistant Examiner—Stella M. Reid
Attorney, Agent, or Firm—Leslie S. Miller

[57] CLAIM

The ornamental design for a medication infusion cassette, as shown.

DESCRIPTION

FIG. 1 is a perspective view of a medication infusion cassette, showing my new design; FIG. 2 is a perspective view thereof; FIG. 3 is a right side elevational view thereof; FIG. 4 is a left side elevational view thereof; FIG. 5 is a top plan view thereof; FIG. 6 is a bottom plan view thereof; and FIG. 7 is a front elevational view thereof. The broken line showing of the tubes in FIG. 1 is for illustrative purposes only and forms no part of the claimed design.

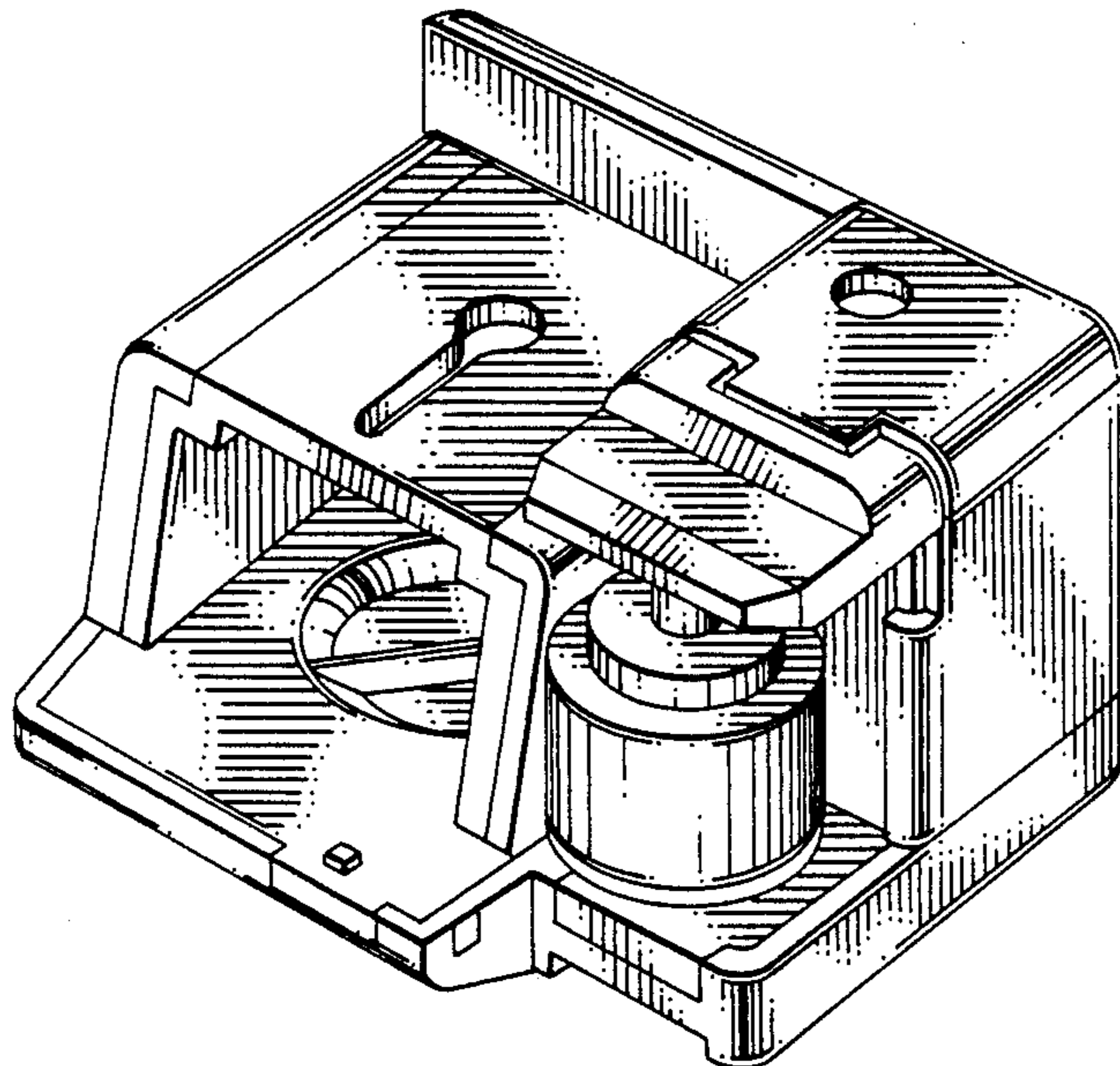


FIG. 1

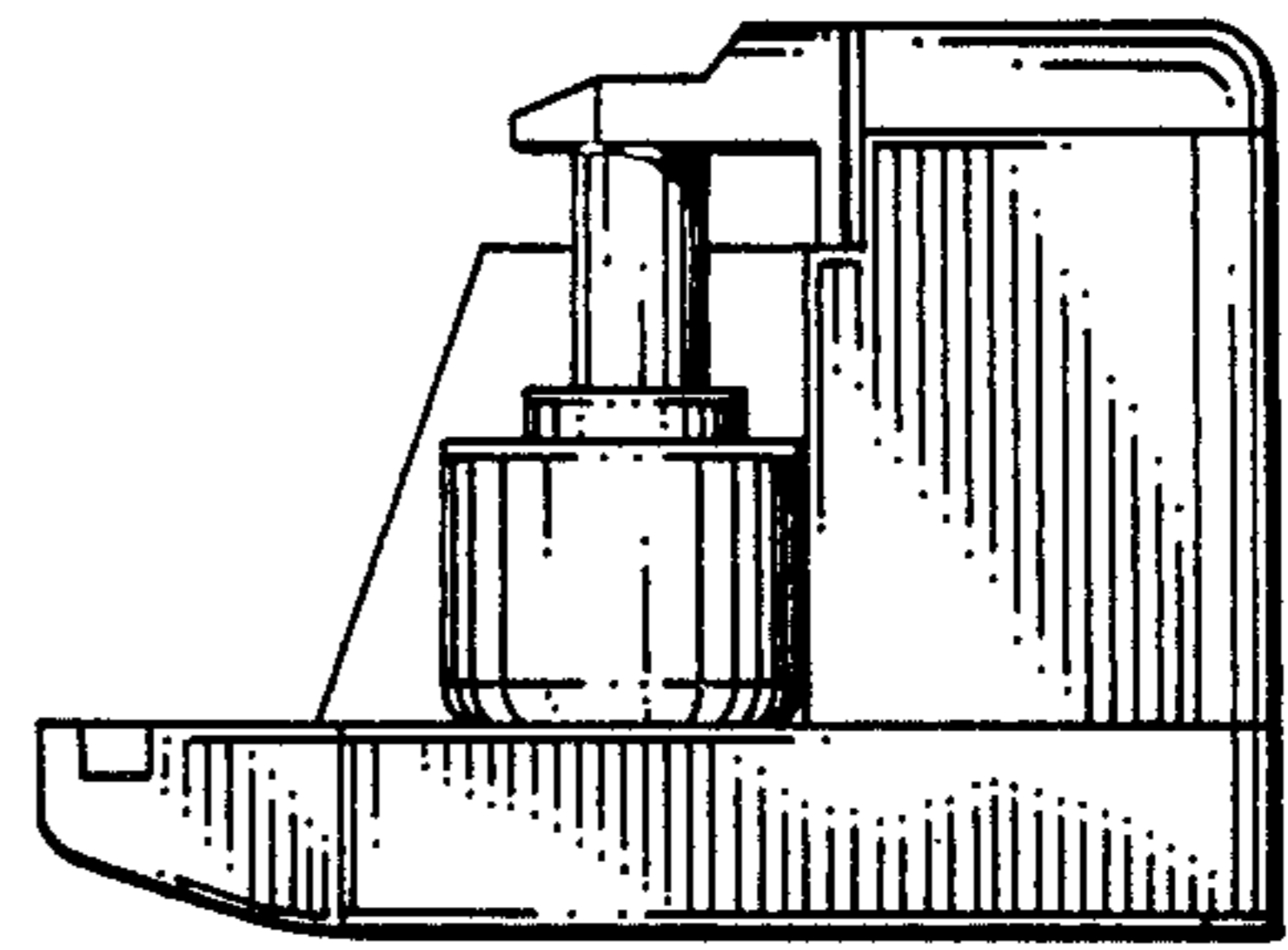
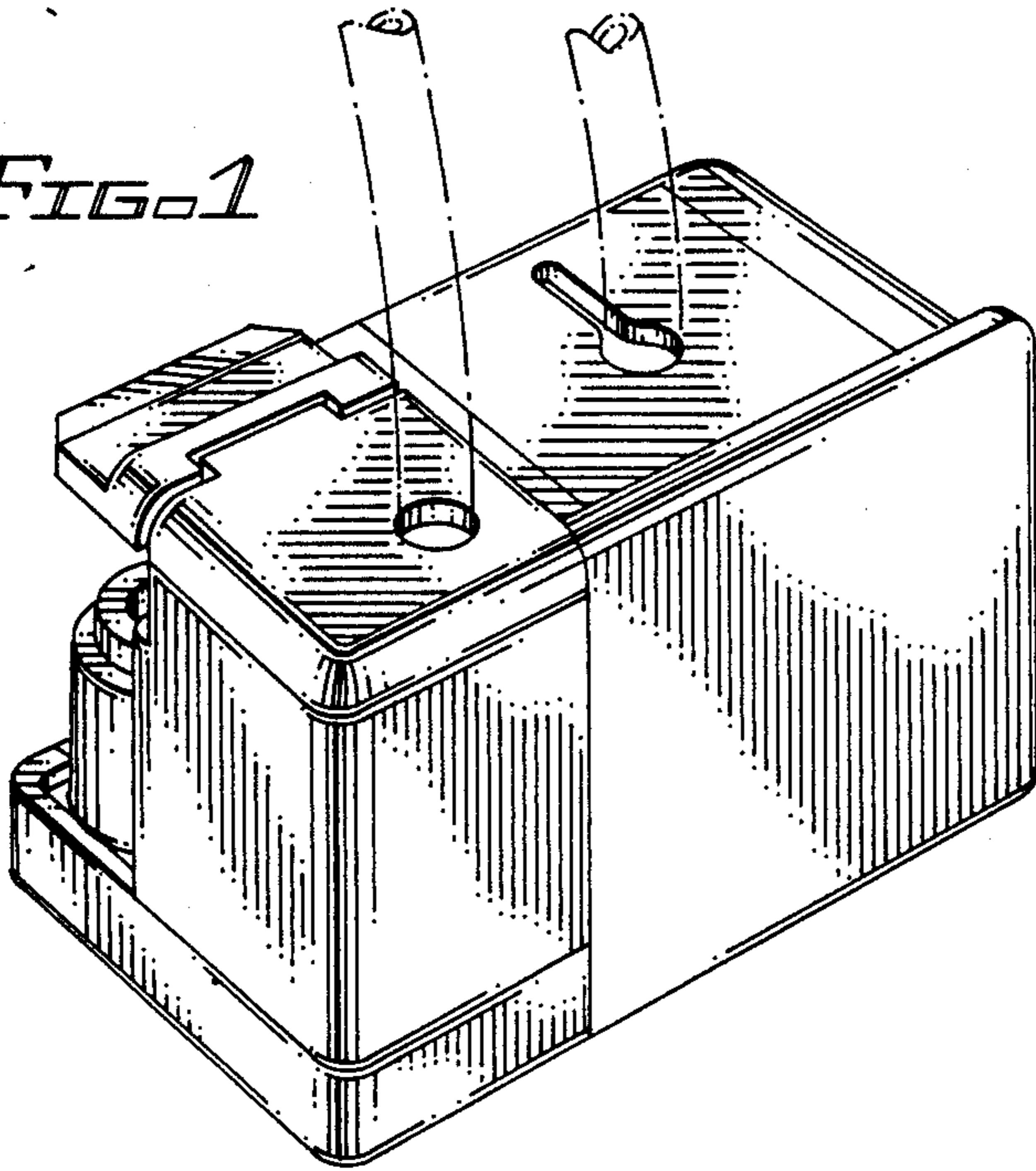


FIG. 3

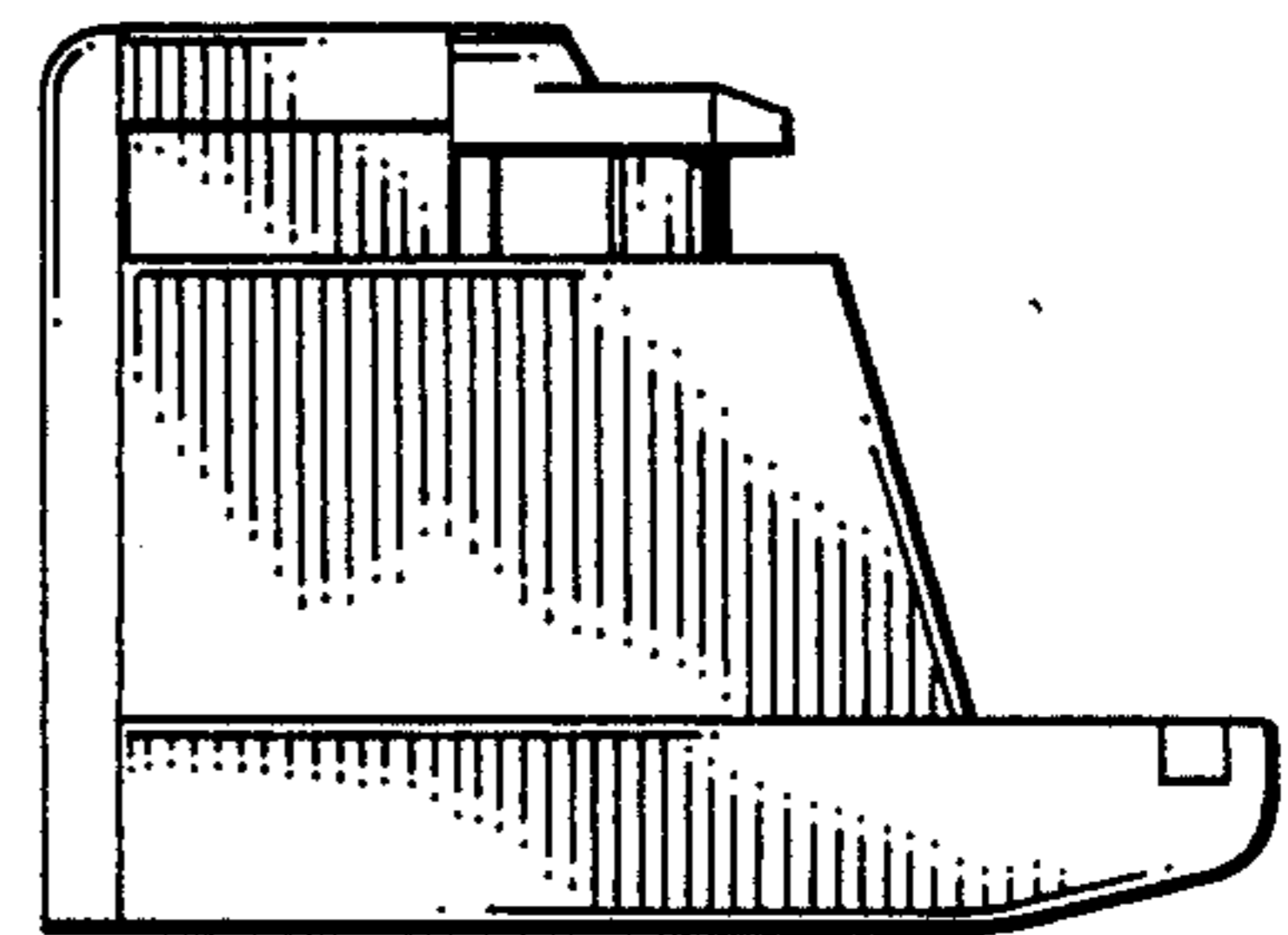


FIG. 4

FIG. 2

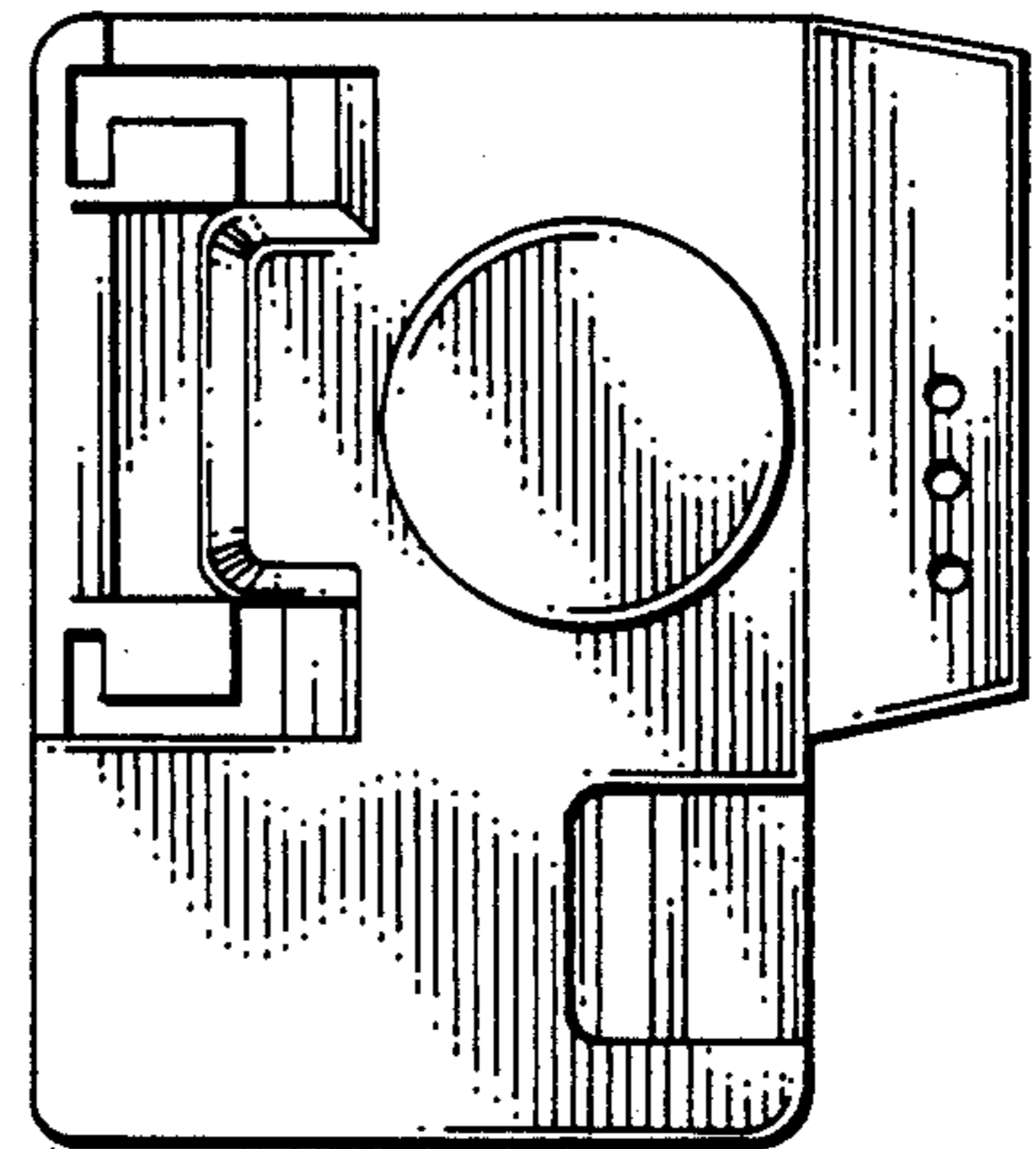
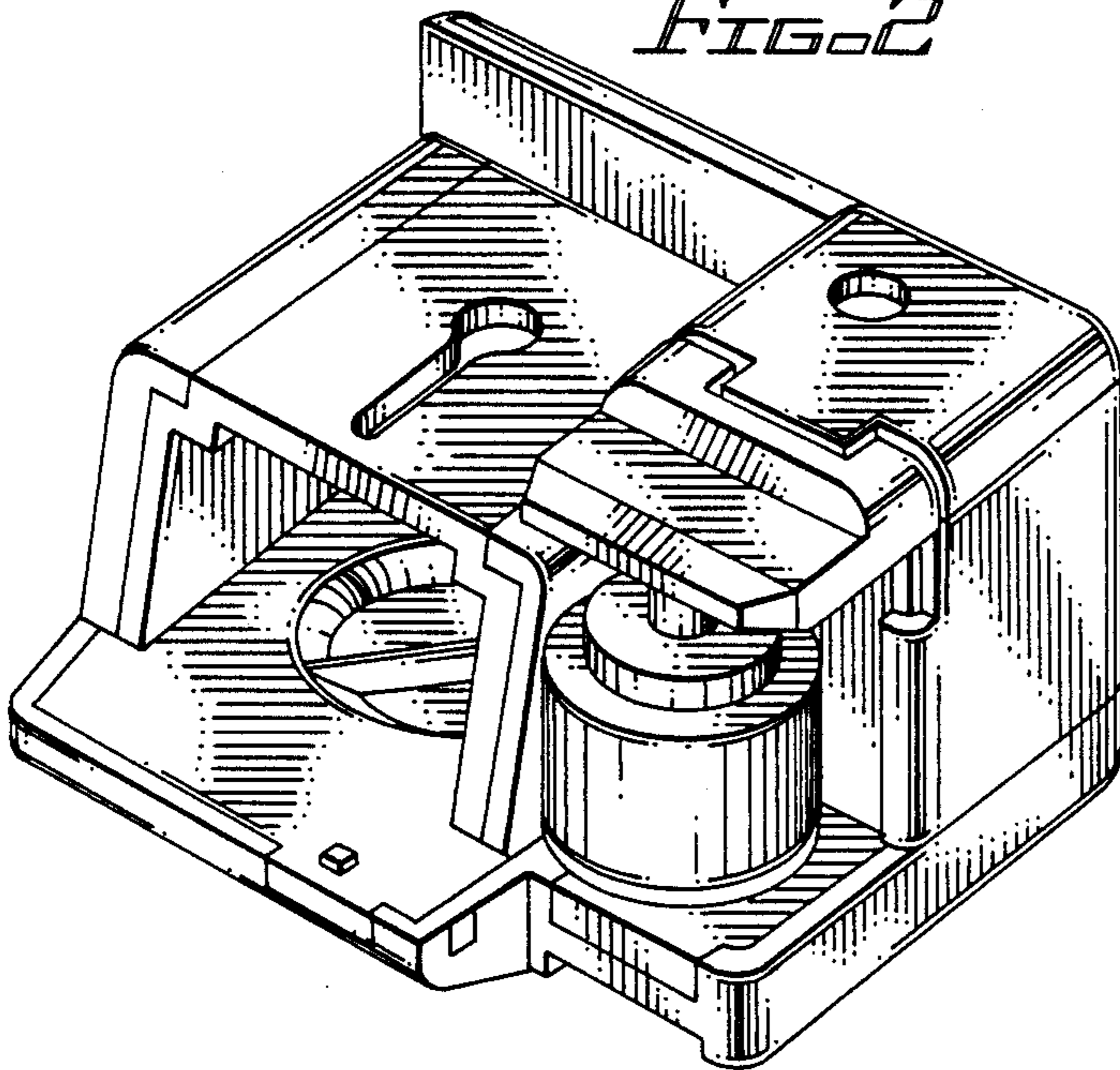


FIG. 5

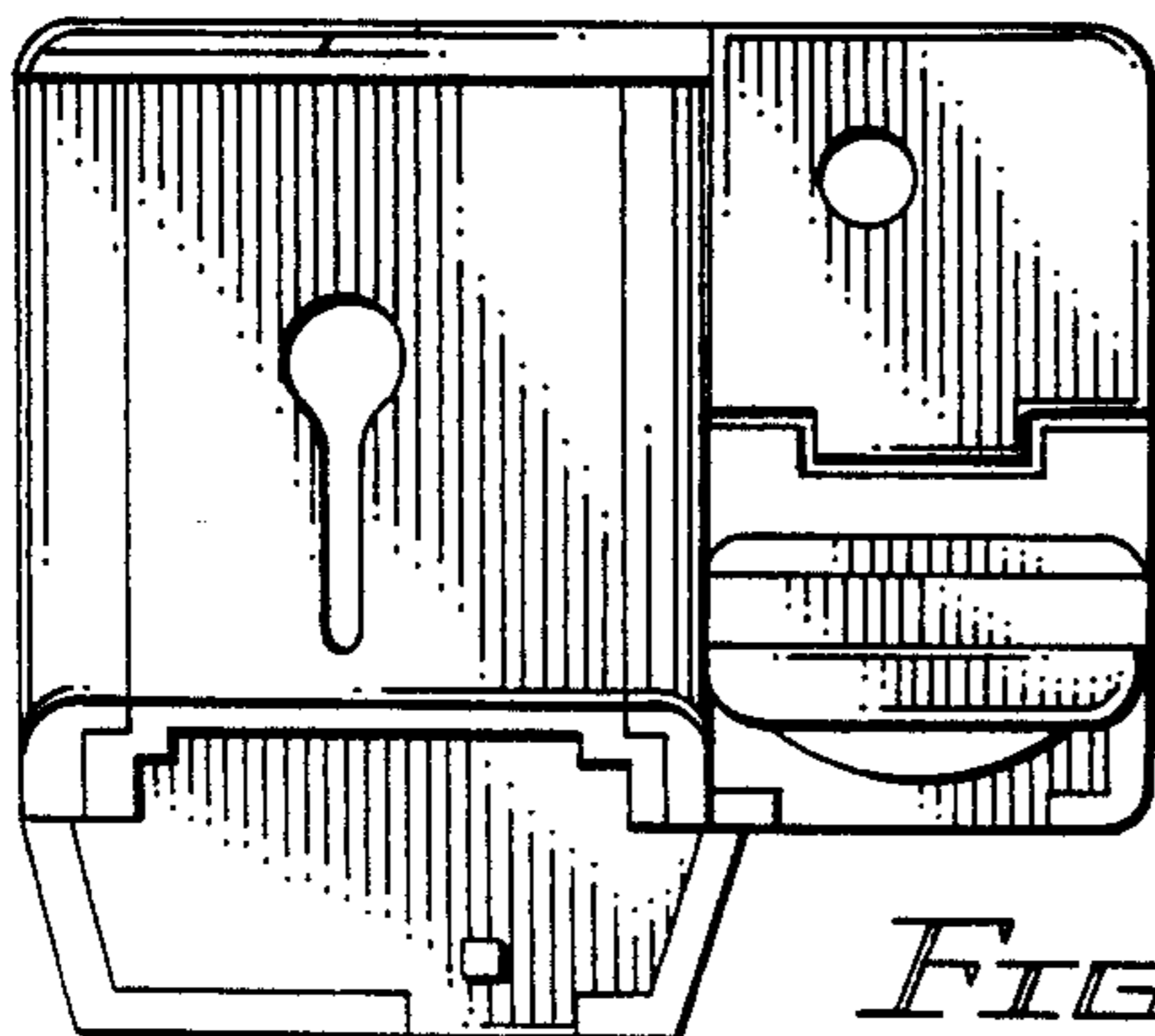


FIG. 6

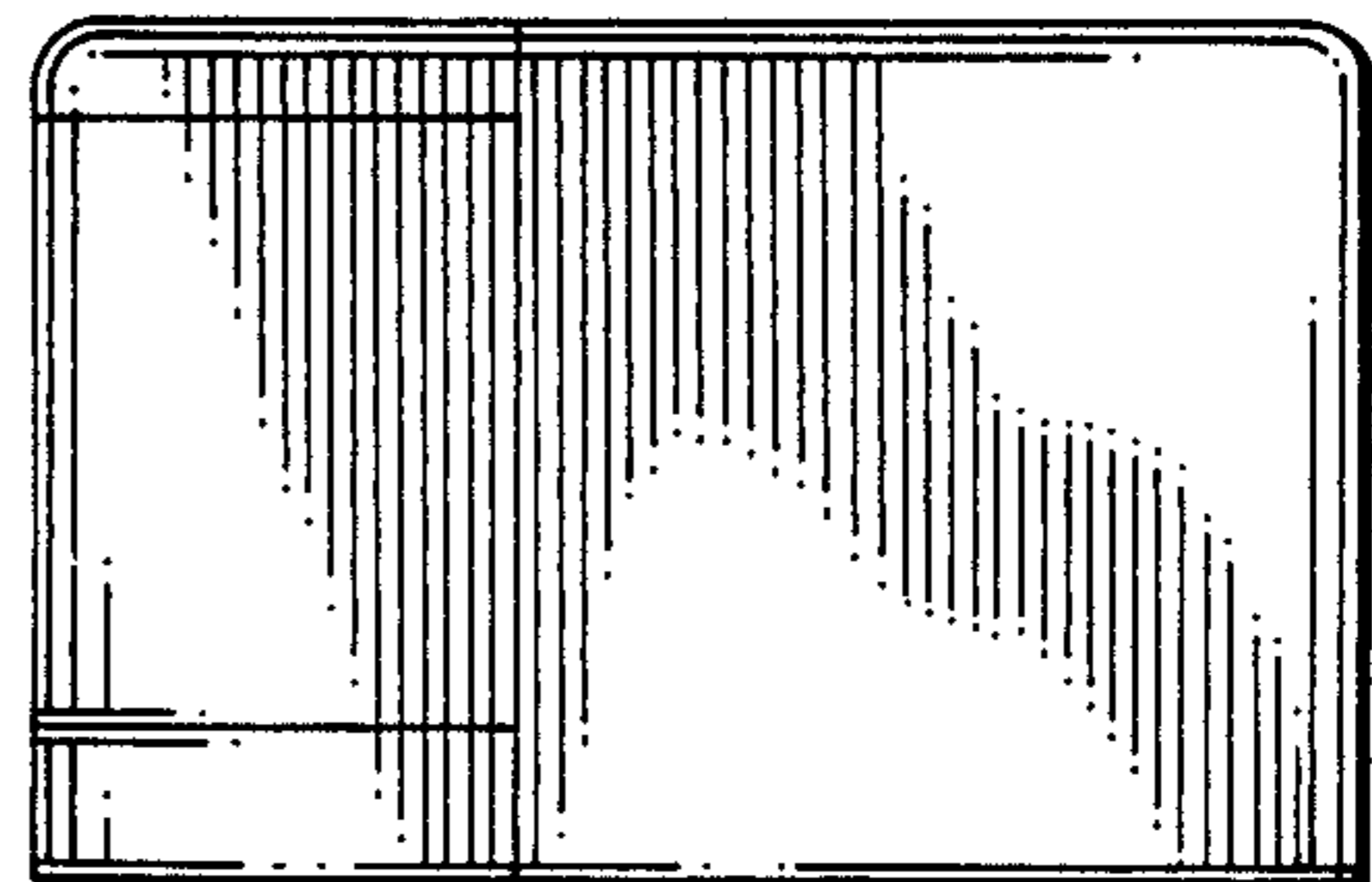


FIG. 7