

[54] DUAL-CHAMBERED HYDRO TUB SPA

[75] Inventor: John W. Hargrove, Houston, Tex.

[73] Assignee: Nancy A. Brown, Houston, Tex.

[\*\*] Term: 14 Years

[21] Appl. No.: 46,861

[22] Filed: May 4, 1987

[52] U.S. Cl. .... D24/38

[58] Field of Search ..... D24/38; 4/506, 513, 4/541, 542, 590, 592; D23/277, 280

[56] References Cited

U.S. PATENT DOCUMENTS

- D. 244,314 5/1977 Stangle ..... D24/38
- D. 251,016 2/1979 Stangle ..... D24/38
- 3,693,194 9/1972 Schindler ..... 4/513 X

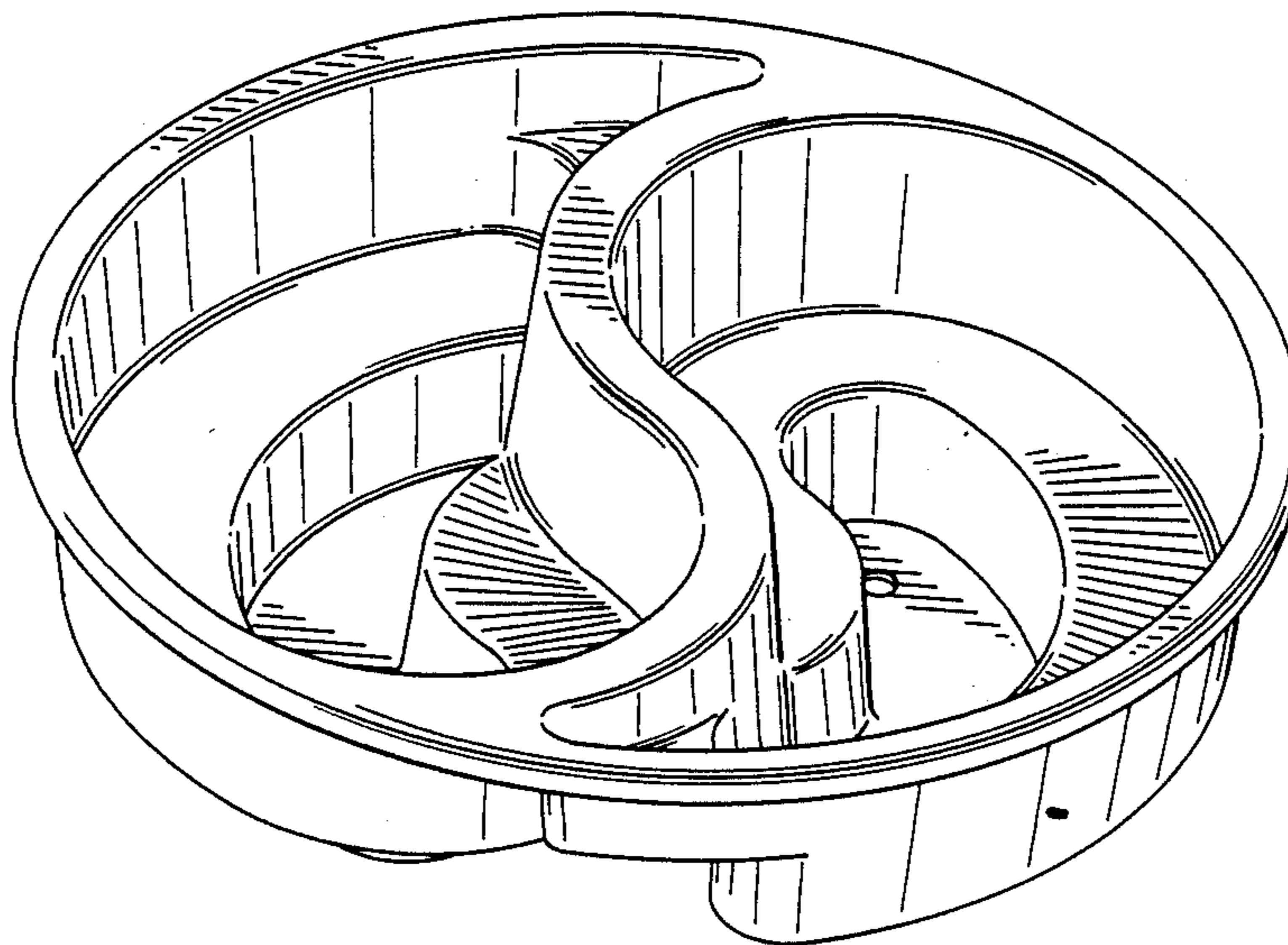
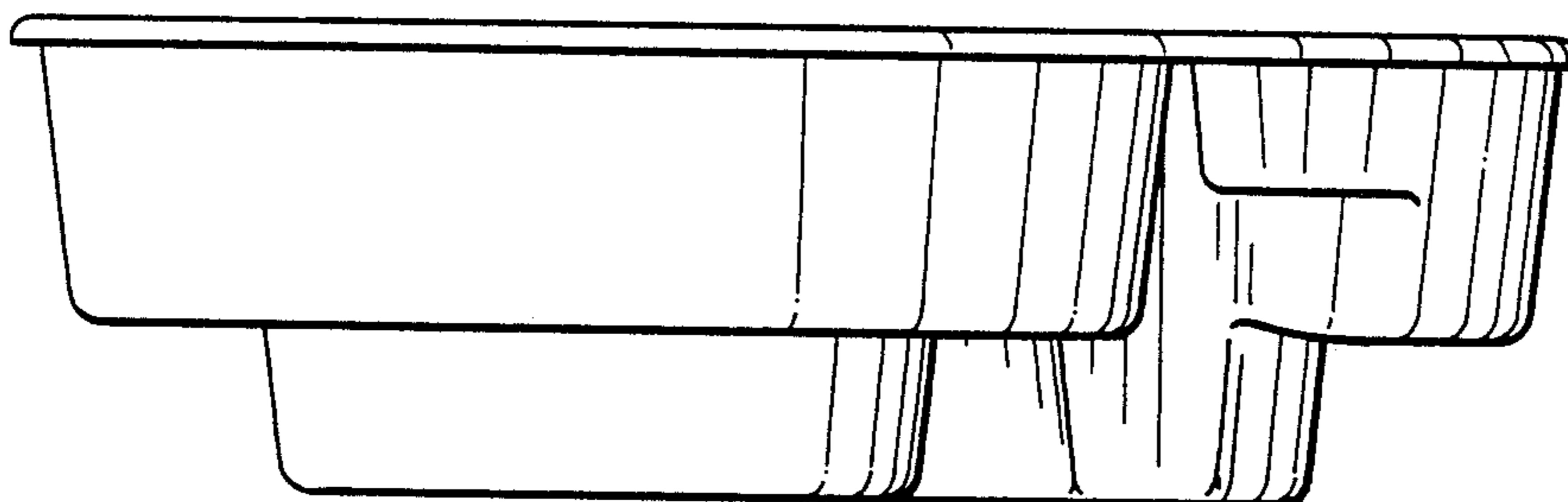
Primary Examiner—A. Hugo Word  
Assistant Examiner—Stella M. Reid  
Attorney, Agent, or Firm—Kurt S. Myers; John R. Kirk, Jr.; Darryl M. Springs

[57] CLAIM

The ornamental design for a dual-chambered hydro tub spa, as shown and described.

DESCRIPTION

FIG. 1 is a top plan view of a dual-chambered hydro tub spa, showing my new design;  
FIG. 2 is a side elevational view thereof;  
FIG. 3 is a right side elevational view thereof;  
FIG. 4 is a top perspective view thereof;  
FIG. 5 is a bottom plan view thereof; and  
FIG. 6 is a cross-sectional view taken along line 6—6 of FIG. 1.



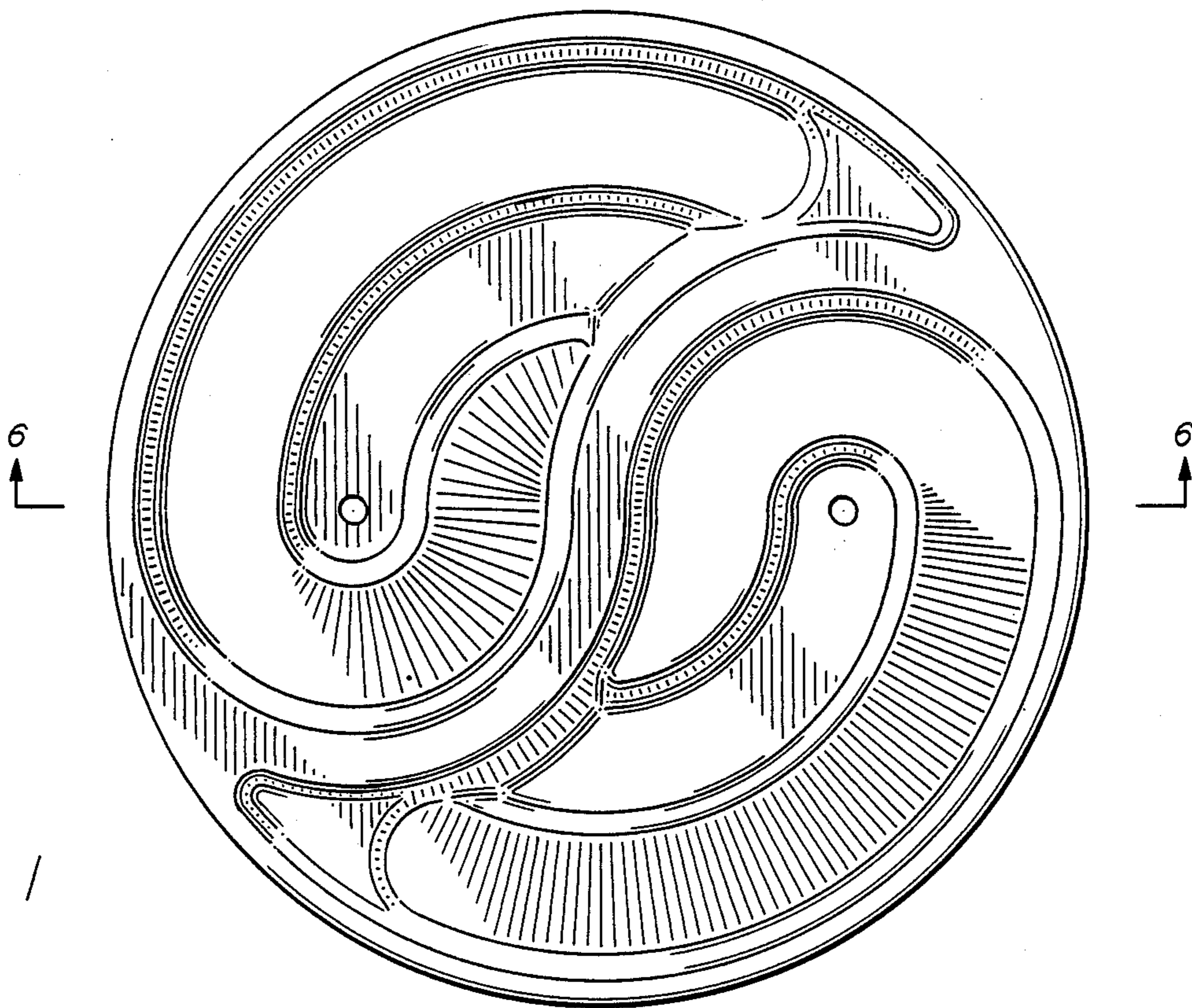


FIG. 1

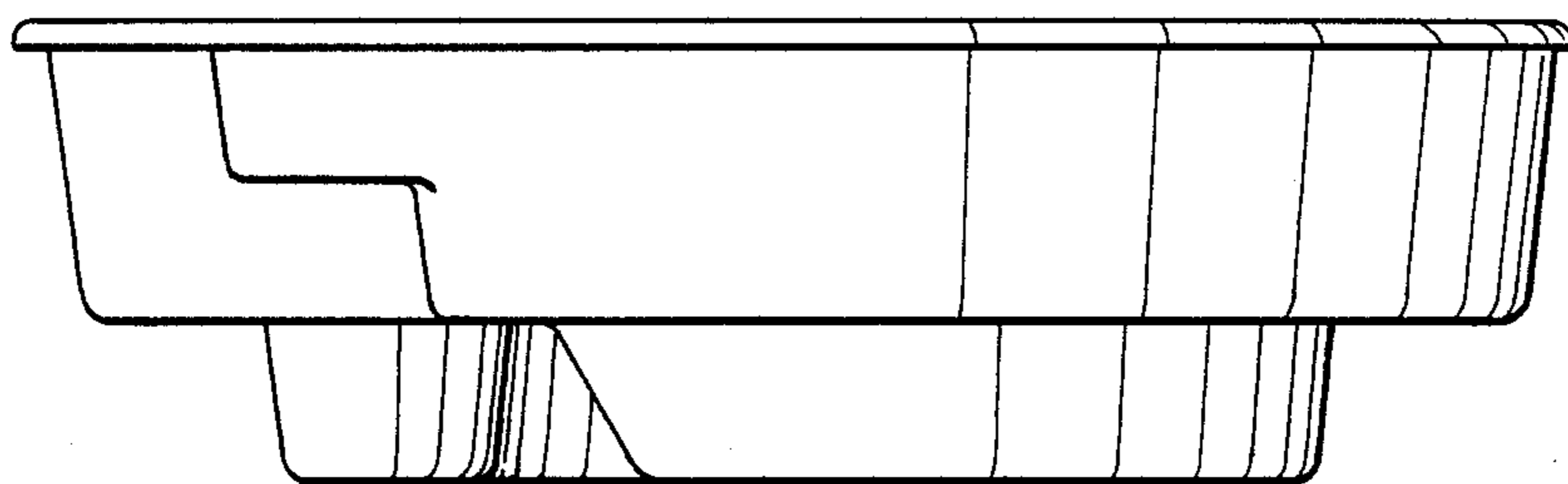


FIG. 2

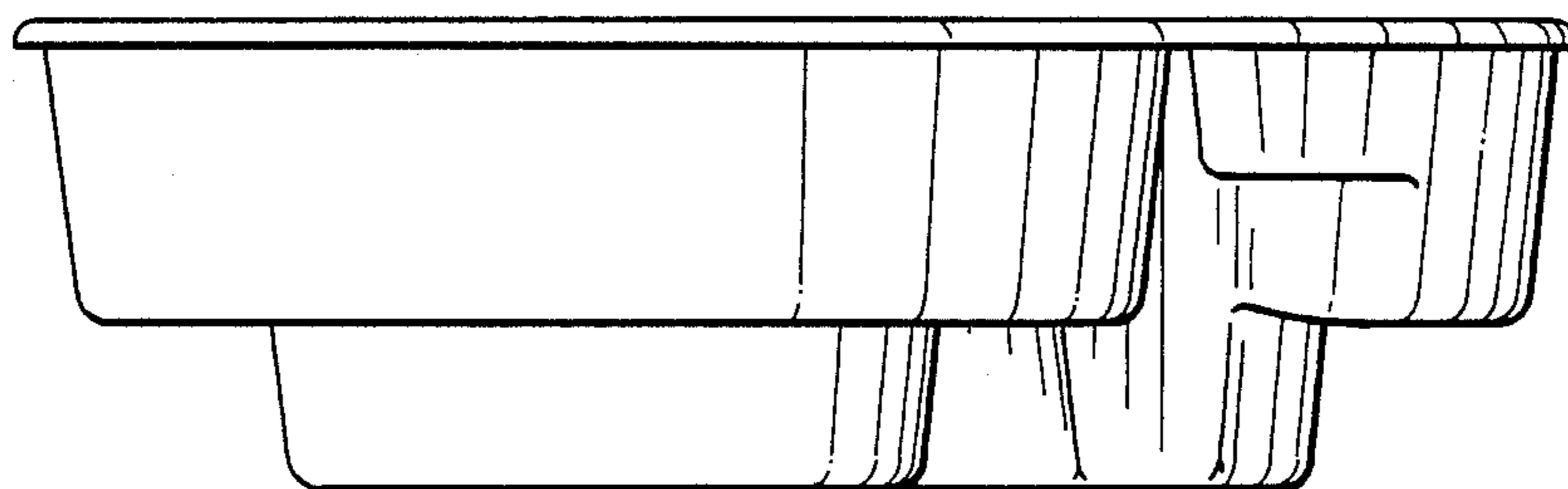


FIG. 3



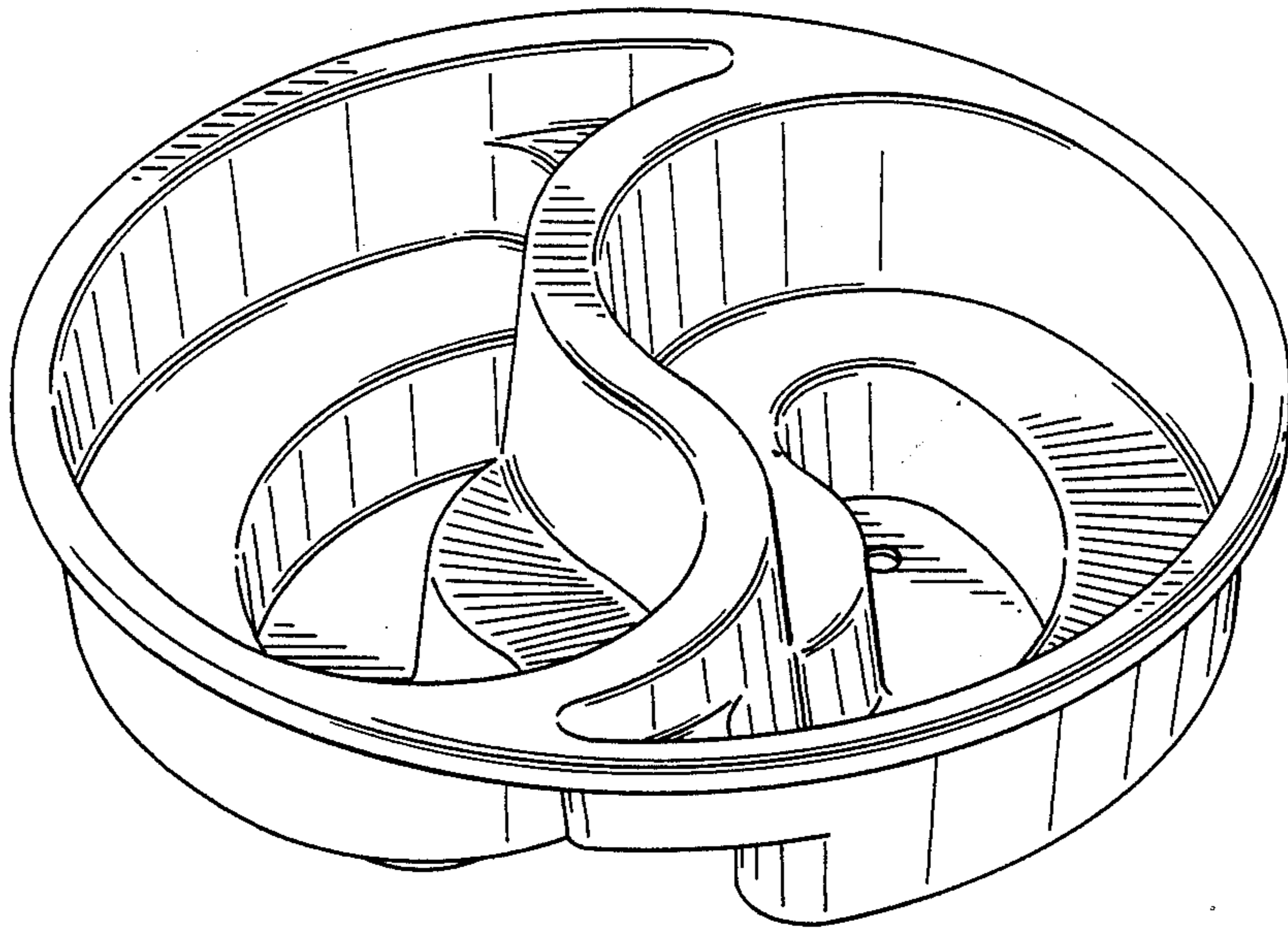


FIG. 4

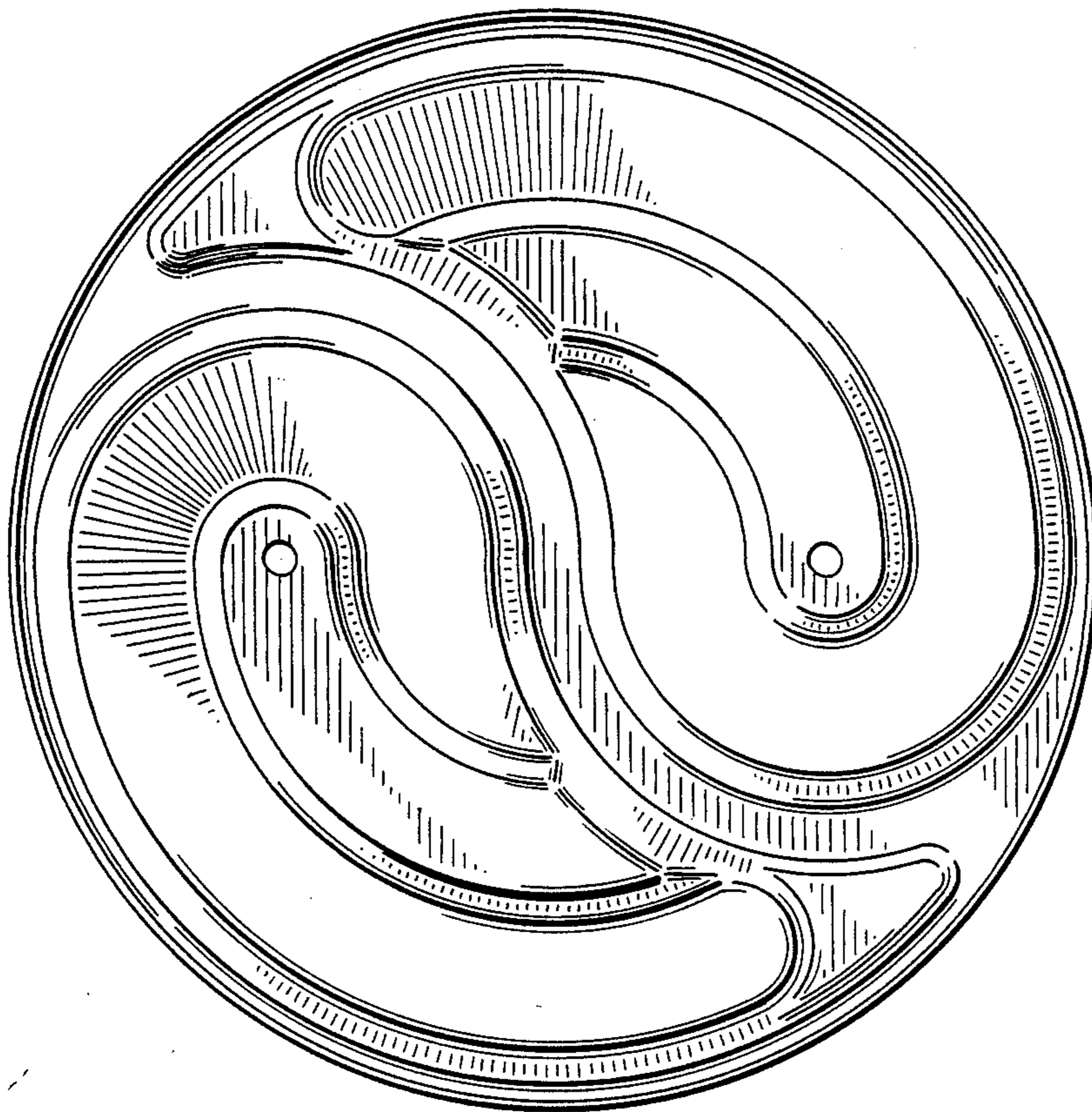


FIG. 5

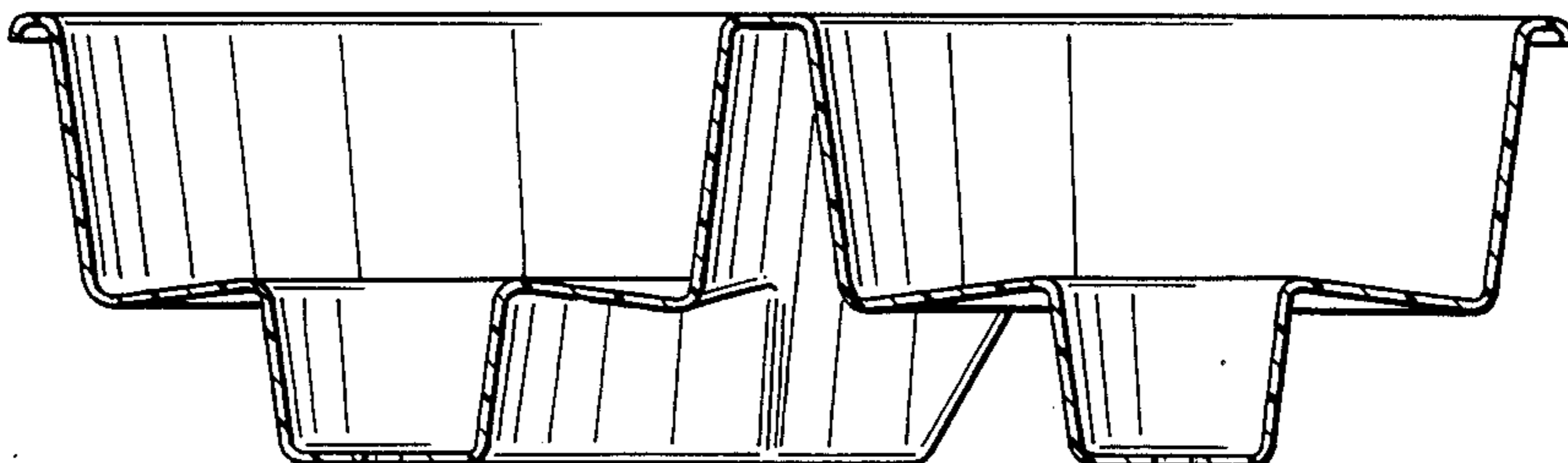


FIG. 6