

[54] COMBINED CEMENTING TOOL AND VIBRATORY ROD FOR DENTAL APPLICATIONS

[75] Inventor: Stephen J. Lockawich, Concord, N.H.

[73] Assignees: Herbert L. Stiles; Lawrence J. Joyce, both of Penacook, N.H.

[**] Term: 14 Years

[21] Appl. No.: 197,083

[22] Filed: May 20, 1988

[52] U.S. Cl. D24/10

[58] Field of Search D24/10, 16; 433/3, 114, 433/117, 118, 125, 141, 142, 148, 149, 150

[56] References Cited

U.S. PATENT DOCUMENTS

1,099,984	6/1914	Kirsten	433/141
3,081,980	3/1963	Karlström et al.	433/118 X
3,727,314	4/1973	De Angeles et al.	433/150
4,206,547	6/1980	Tanaka	433/141
4,780,083	10/1988	Croll	433/142 X

OTHER PUBLICATIONS

Advertisement for Micro-Bond Hi-Life Restorations (1

page) distributed by: Howmedica, Inc., Dental Division.

Primary Examiner—Susan J. Lucas

Assistant Examiner—M. H. Tung

Attorney, Agent, or Firm—Davis, Bujold & Streck

[57] CLAIM

The ornamental design for a combined cementing tool and vibratory rod for dental applications, as shown and described.

DESCRIPTION

FIG. 1 is a perspective view of a combined cementing tool and vibratory rod for dental applications showing my new design;

FIG. 2 is a side elevational view of the vibratory rod thereof, the cementing tool omitted for clarity of disclosure;

FIG. 3 is a bottom plan view thereof, the top plan being identical;

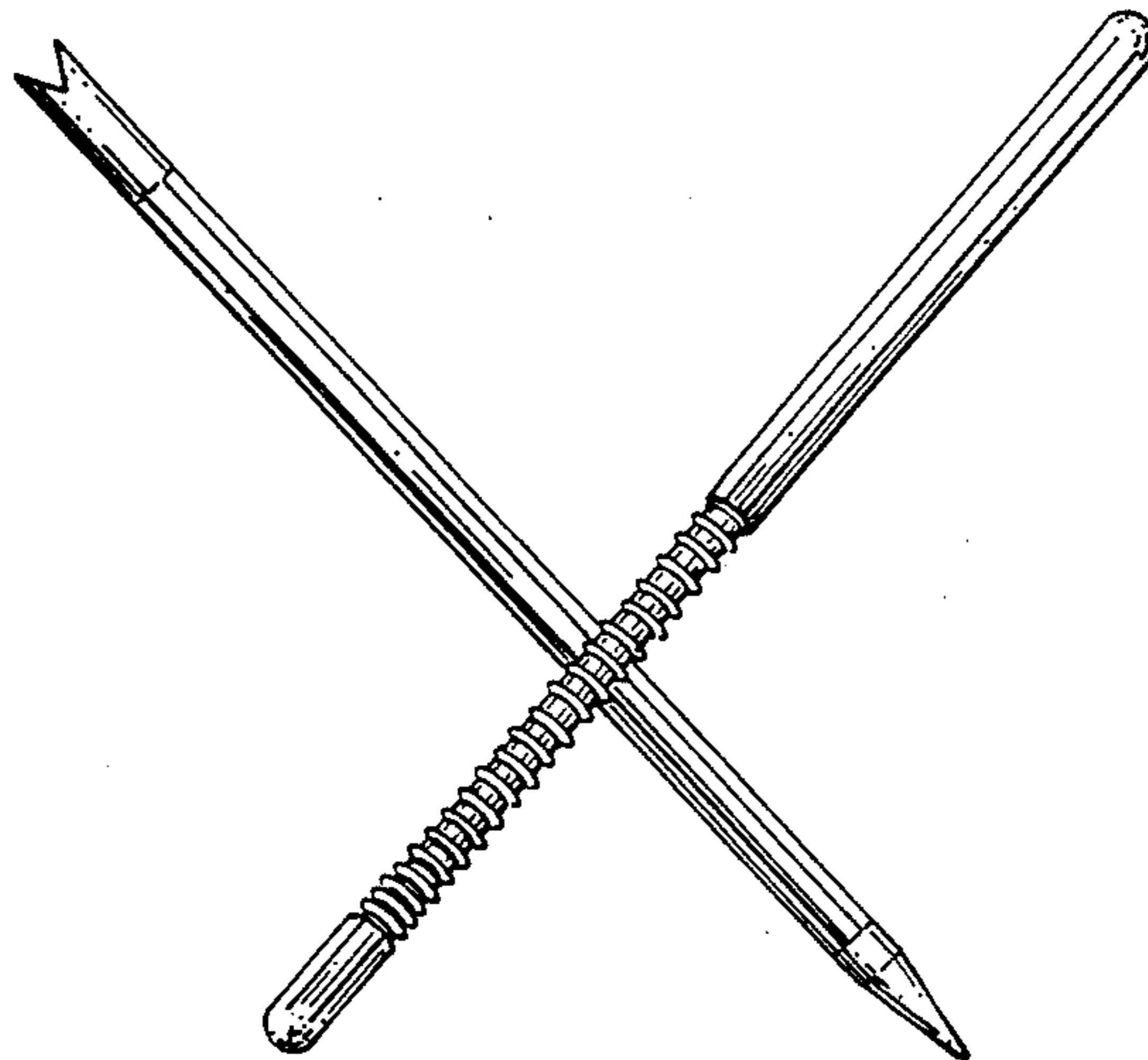
FIG. 4 is a side elevational view of the cementing tool thereof, the vibratory rod omitted for clarity of disclosure;

FIG. 5 is the other side elevational view thereof;

FIG. 6 is a top plan view thereof;

FIG. 7 is a bottom plan view thereof;

FIG. 8 is a cross-sectional view thereof taken on line 8—8 of FIG. 4.



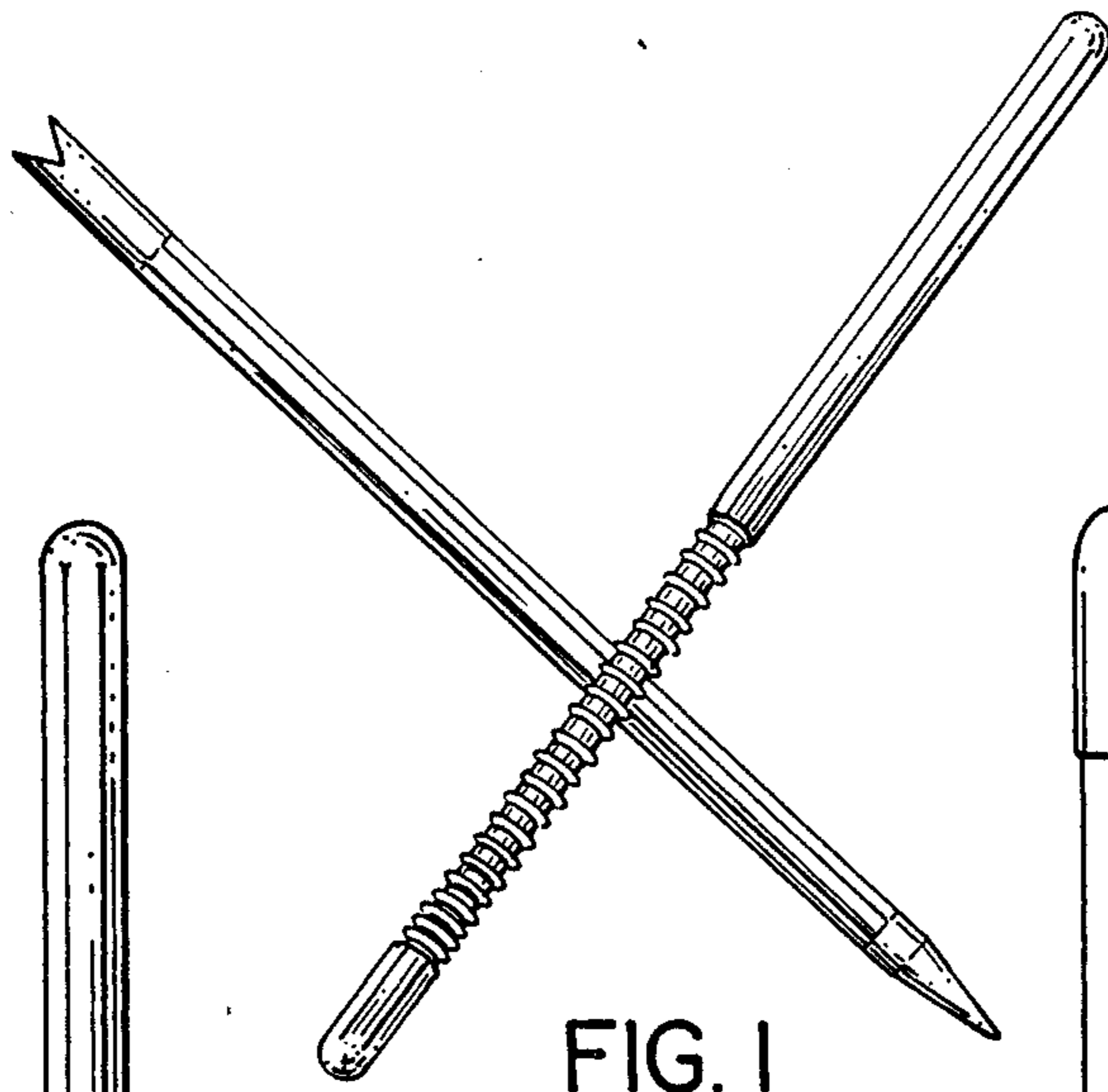


FIG. 1



FIG. 2



FIG. 3

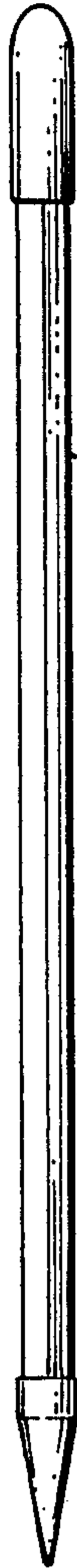


FIG. 5



FIG. 8


FIG. 6 



FIG. 4

FIG. 7 