

[54] SURGICAL SUPPORT STAND FOR USE IN ARTHROSCOPIC SURGERY OF THE SHOULDER OR THE LIKE

[75] Inventors: Ronald A. Sanderson, Calabasas; John L. Wilson, Granada Hills; Nolan Maples, Burbank, all of Calif.

[73] Assignee: Cal-Surgical, Inc., Bishop, Calif.

[**] Term: 14 Years

[21] Appl. No.: 63,517

[22] Filed: Jun. 18, 1987

[52] U.S. Cl. D24/1.1

[58] Field of Search D24/64, 1.1; 128/84 R, 128/84 B, 83, 75, 76, 25; 269/322-326, 328

[56] References Cited

U.S. PATENT DOCUMENTS

D. 244,058	4/1977	Kowal	D24/64
2,590,739	3/1952	Wagner et al.	128/84 B
3,654,922	4/1972	Outcalt	128/75
4,042,232	8/1977	Lile et al.	269/328

4,616,637 10/1986 Caspari et al. 269/328 X

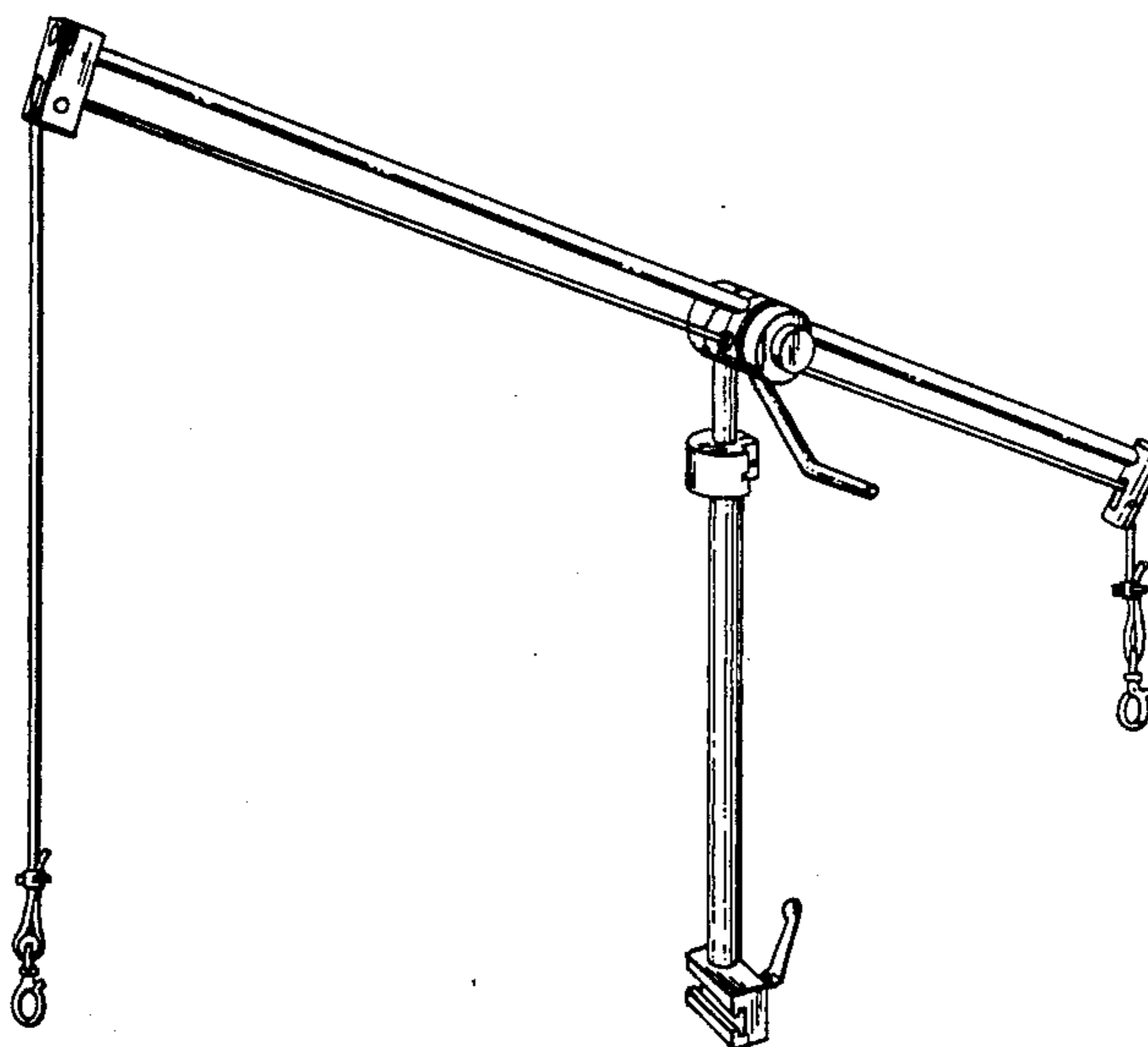
Primary Examiner—A. Hugo Word
Assistant Examiner—Stella M. Reid
Attorney, Agent, or Firm—Kelly Bauersfeld & Lowry

[57] CLAIM

The ornamental design for a surgical support stand for use in arthroscopic surgery of the shoulder or the like, as shown and described.

DESCRIPTION

FIG. 1 is a front, top and left side perspective view of a surgical support stand for use in arthroscopic surgery of the shoulder or the like showing our new design; FIG. 2 is a front elevational view thereof; FIG. 3 is a left side elevational view thereof; FIG. 4 is rear elevational view thereof; FIG. 5 is a right side elevational view thereof; FIG. 6 is a top plan view thereof; FIG. 7 is a bottom plan view thereof; and FIG. 8 is a front elevational view showing the surgical support stand for use in arthroscopic surgery of the shoulder or the like in an alternate position of adjustment.



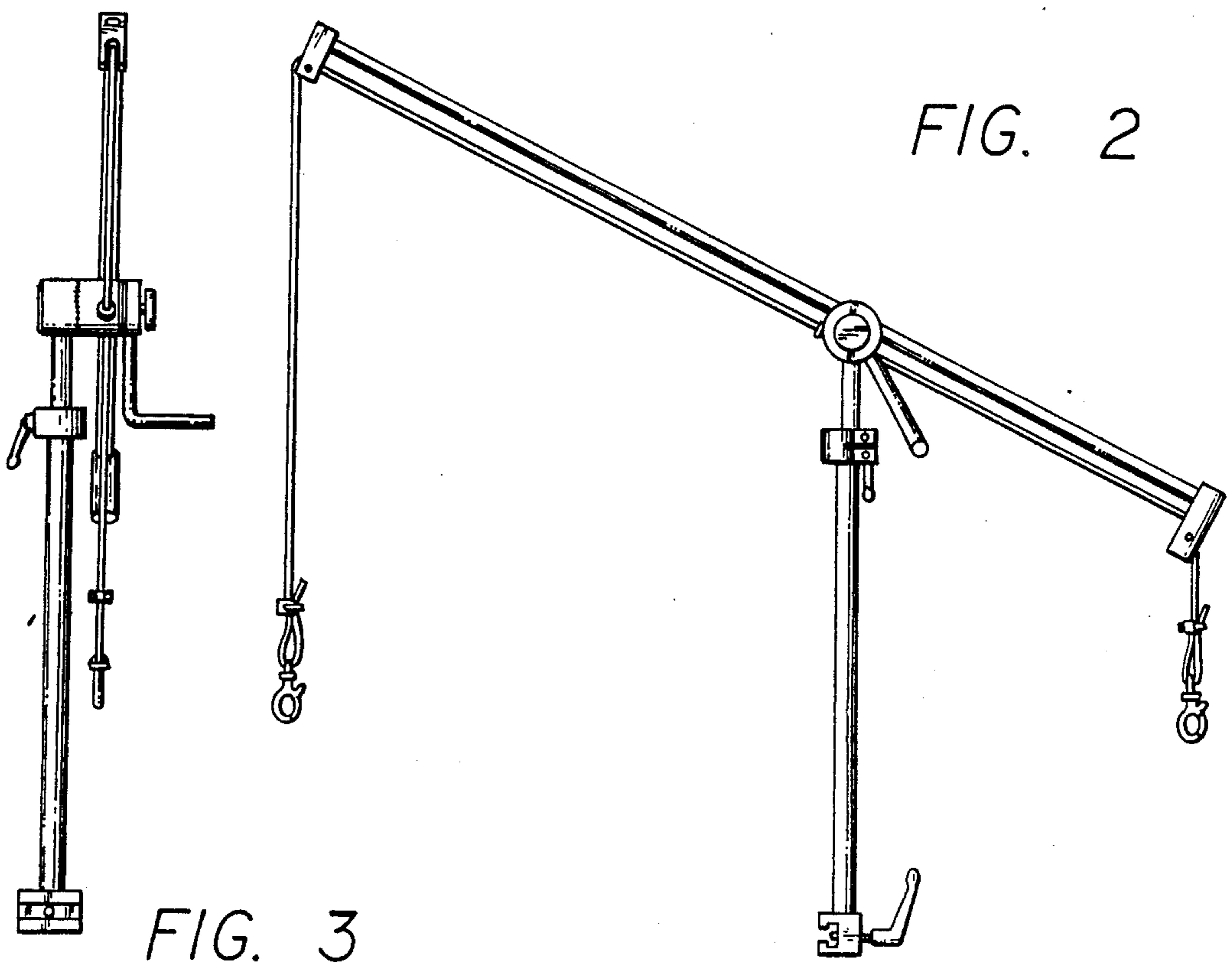
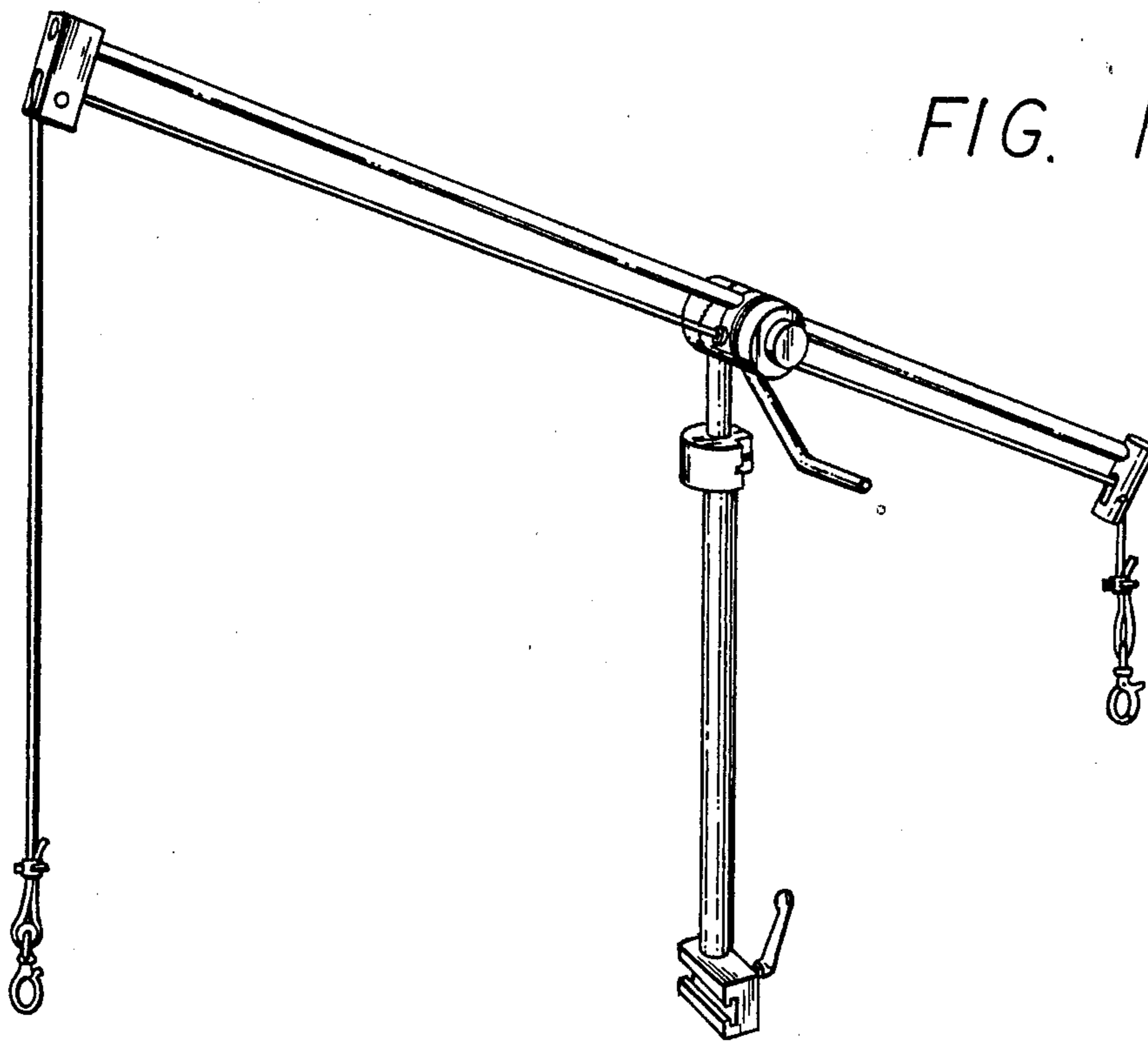


FIG. 3

FIG. 5

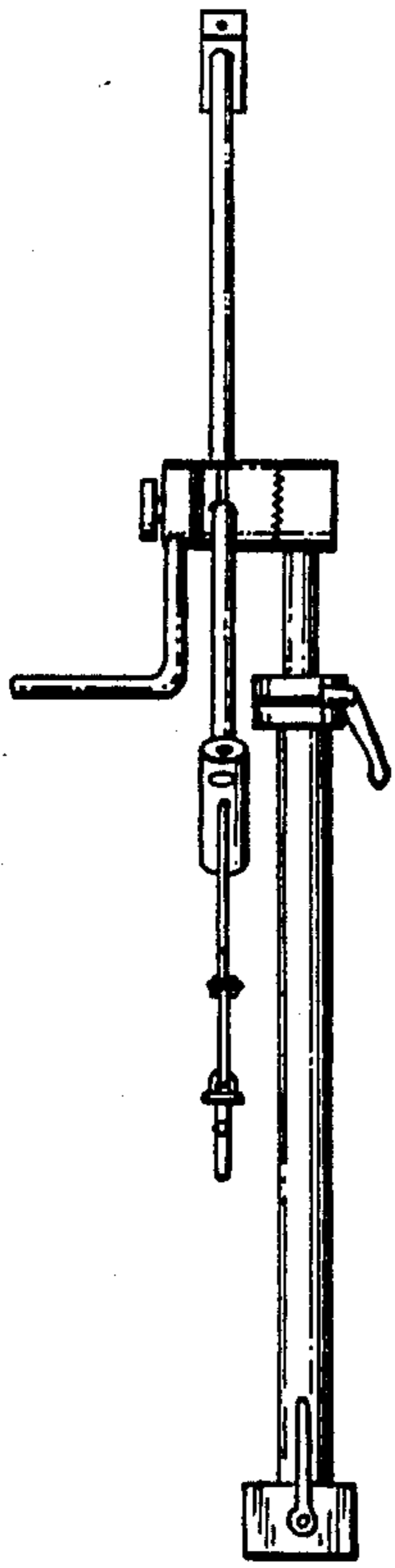


FIG. 4

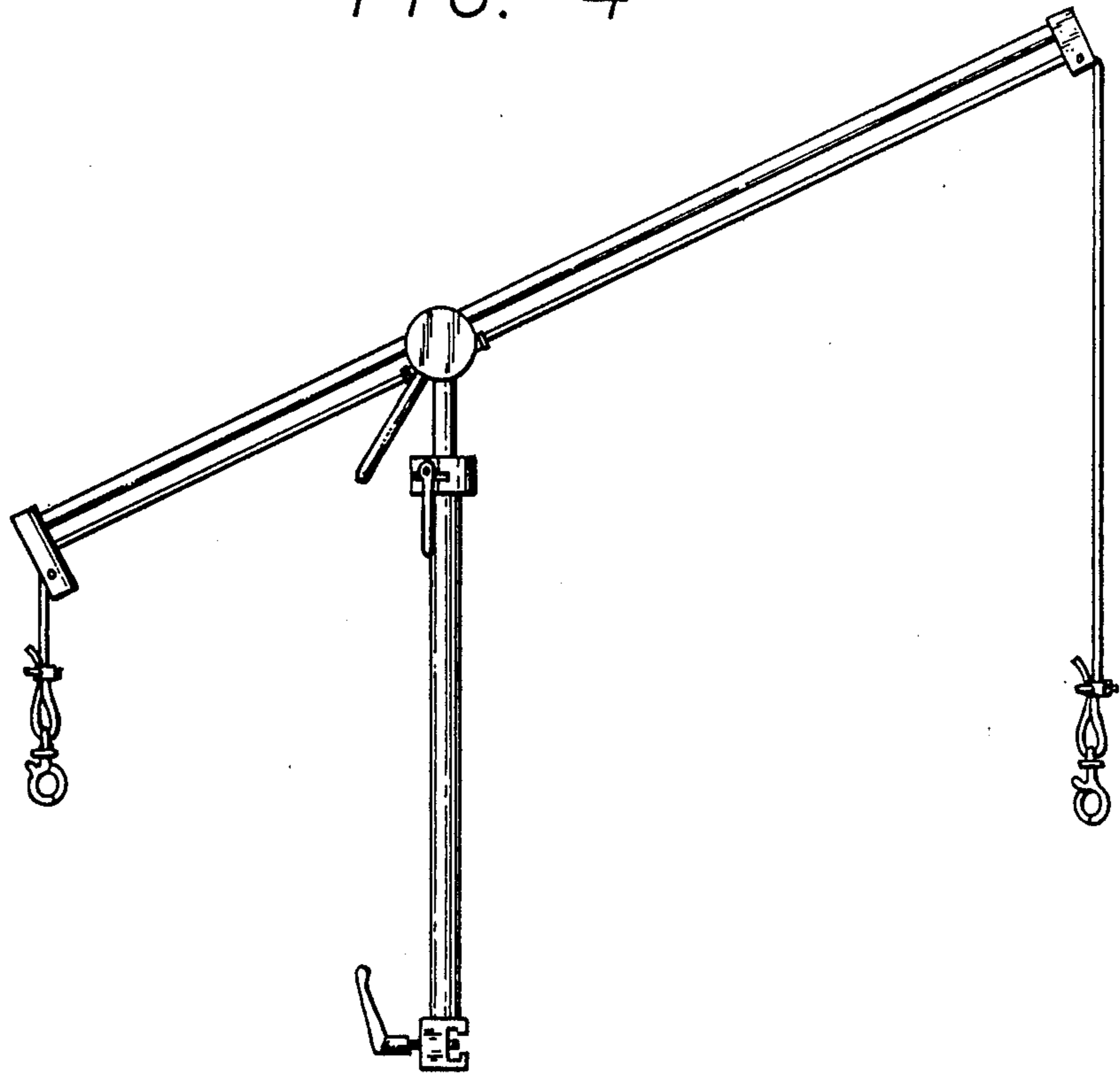


FIG. 6

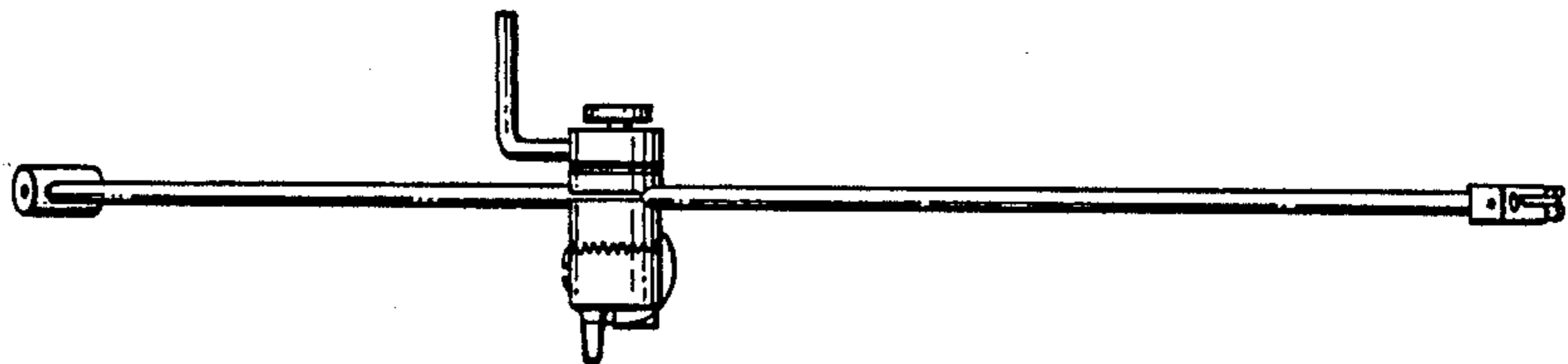
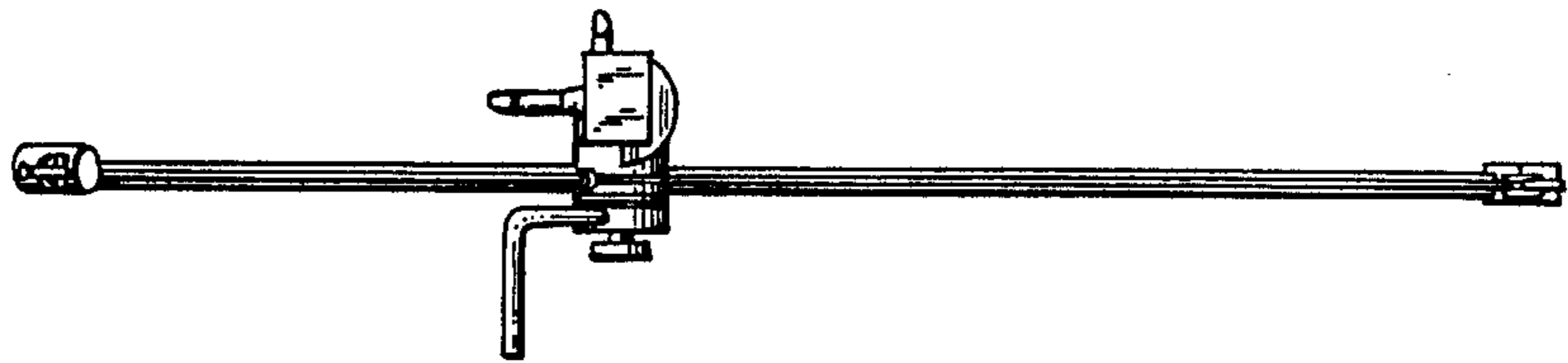


FIG. 7



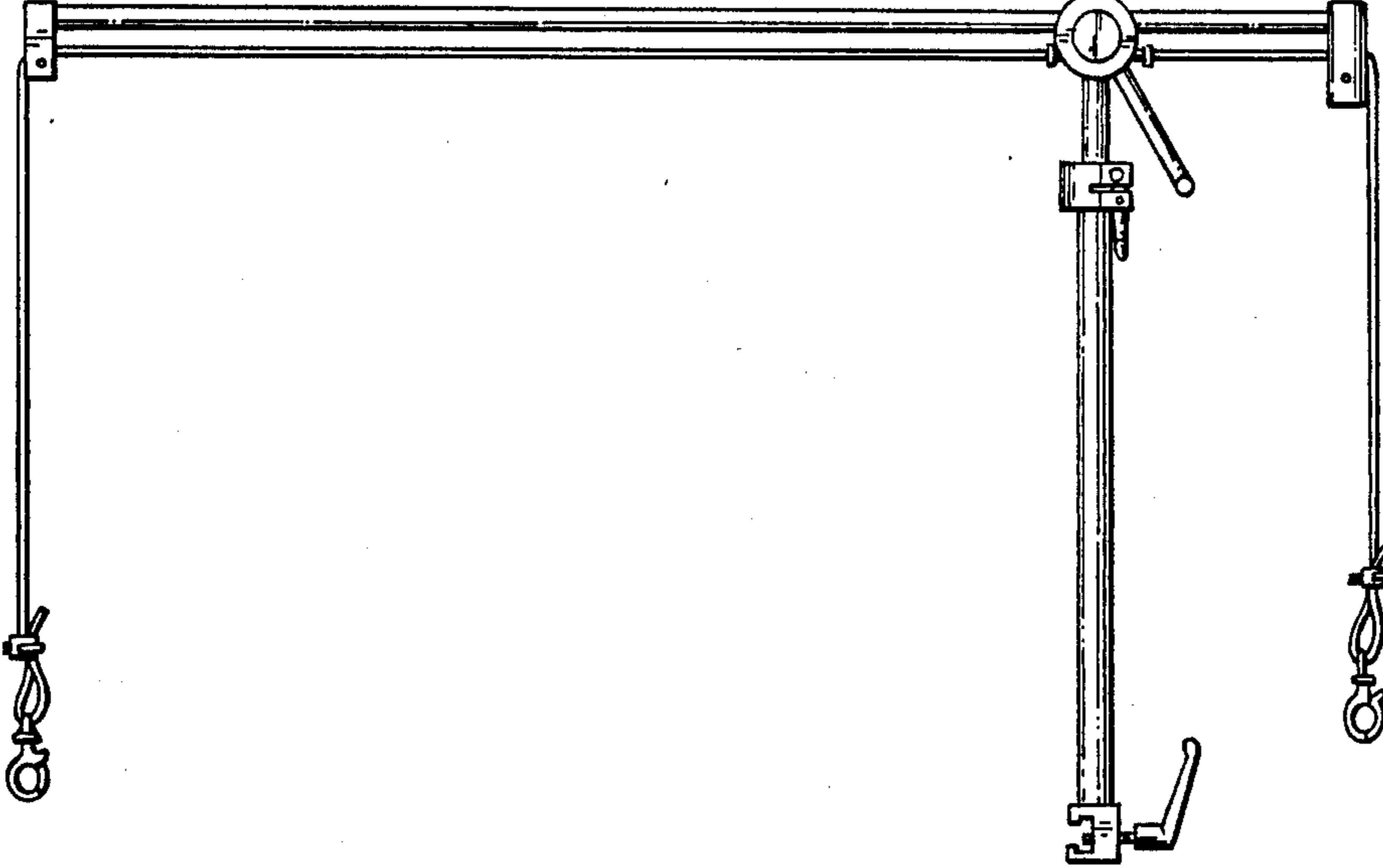


FIG. 8