

[54] CEILING FAN BLADE

[76] Inventor: William N. Taylor, III, 2914 Shady Lake Cir., Carrollton, Tex. 75006

[**] Term: 14 Years

[21] Appl. No.: 174,639

[22] Filed: Mar. 29, 1988

[52] U.S. Cl. D23/413

[58] Field of Search D23/370, 411, 377, 413, D23/379, 385; 416/206, 205, 5; 362/96, 404, 405; D21/235

[56] References Cited

U.S. PATENT DOCUMENTS

D. 246,795	12/1977	Bonifant	D23/413
D. 262,736	1/1982	Wooden	D23/413
2,208,084	7/1940	Ryder	D23/413
3,004,623	10/1961	Nissen	D21/235

OTHER PUBLICATIONS

W. S. Darley & Co. Municipal Supplies Catalogue, No. 148, p. 97, Emergency Auxiliary Stretcher, top right side of page.

Primary Examiner—James M. Gandy
Assistant Examiner—Lisa Lichtenstein
Attorney, Agent, or Firm—W. Kirk McCord

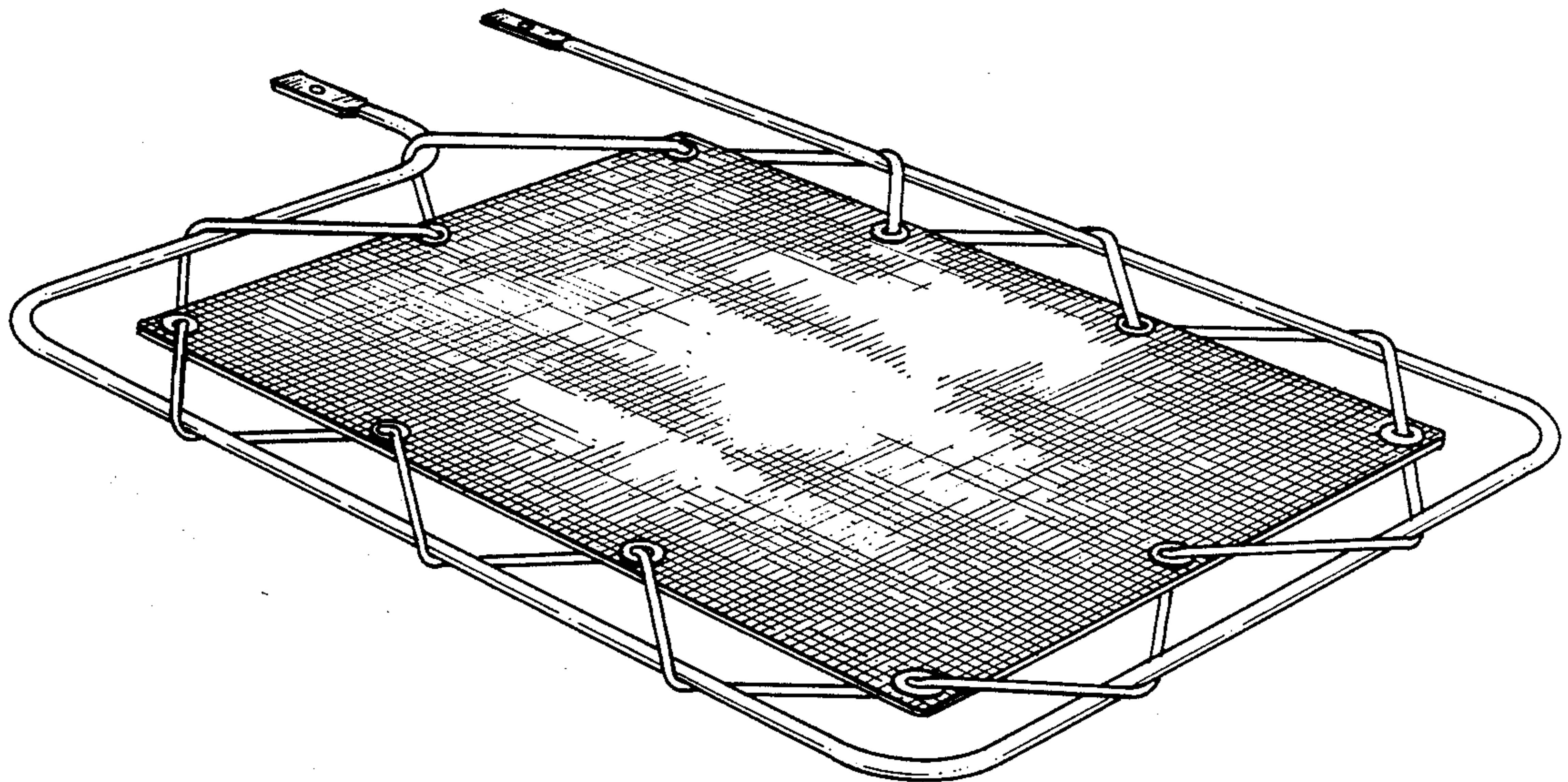
[57] CLAIM

The ornamental design for a ceiling fan blade, as shown and described.

DESCRIPTION

FIG. 1 is a top perspective view of a ceiling fan blade showing my new design;
 FIG. 2 is a bottom plan view thereof;
 FIG. 3 is a left end elevation view thereof;
 FIG. 4 is a left side elevation view thereof;
 FIG. 5 is a top plan view thereof;
 FIG. 6 is a right end elevation view thereof;
 FIG. 7 is a right side elevation view thereof;
 FIG. 8 is a top perspective view of a ceiling fan blade showing a second embodiment of my new design;
 FIG. 9 is a bottom plan view of FIG. 8;
 FIG. 10 is a left end elevation view of FIG. 8;
 FIG. 11 is a left side elevation view of FIG. 8;
 FIG. 12 is a top plan view of FIG. 8;
 FIG. 13 is a right end elevation view of FIG. 8; and
 FIG. 14 is a right side elevation view of FIG. 8.

The fragmentary criss-cross pattern shown in FIGS. 1, 2, 5, 8, 9 and 12 is understood to be repeated uniformly throughout the rectangular area as shown.



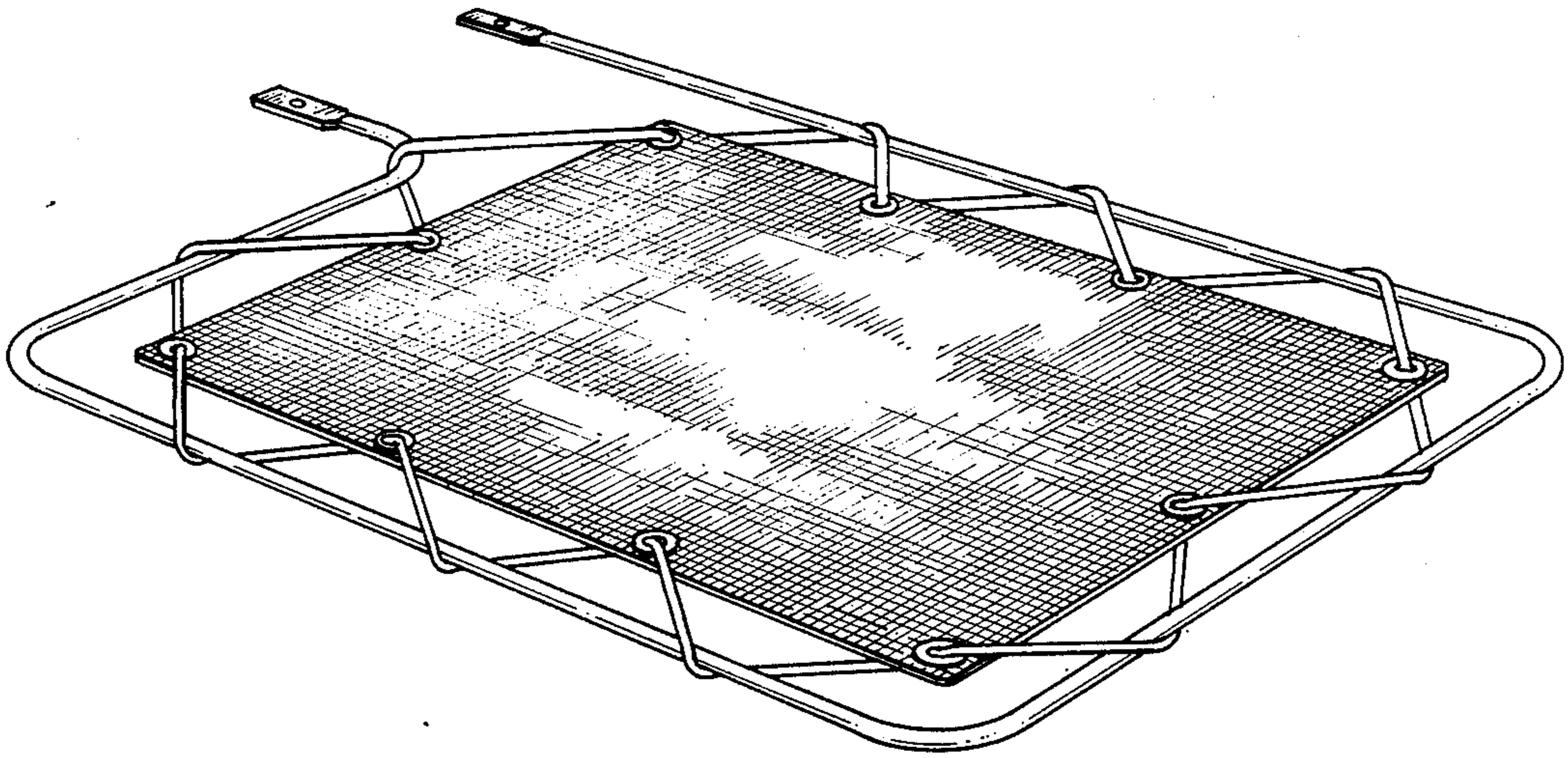


FIG. 1

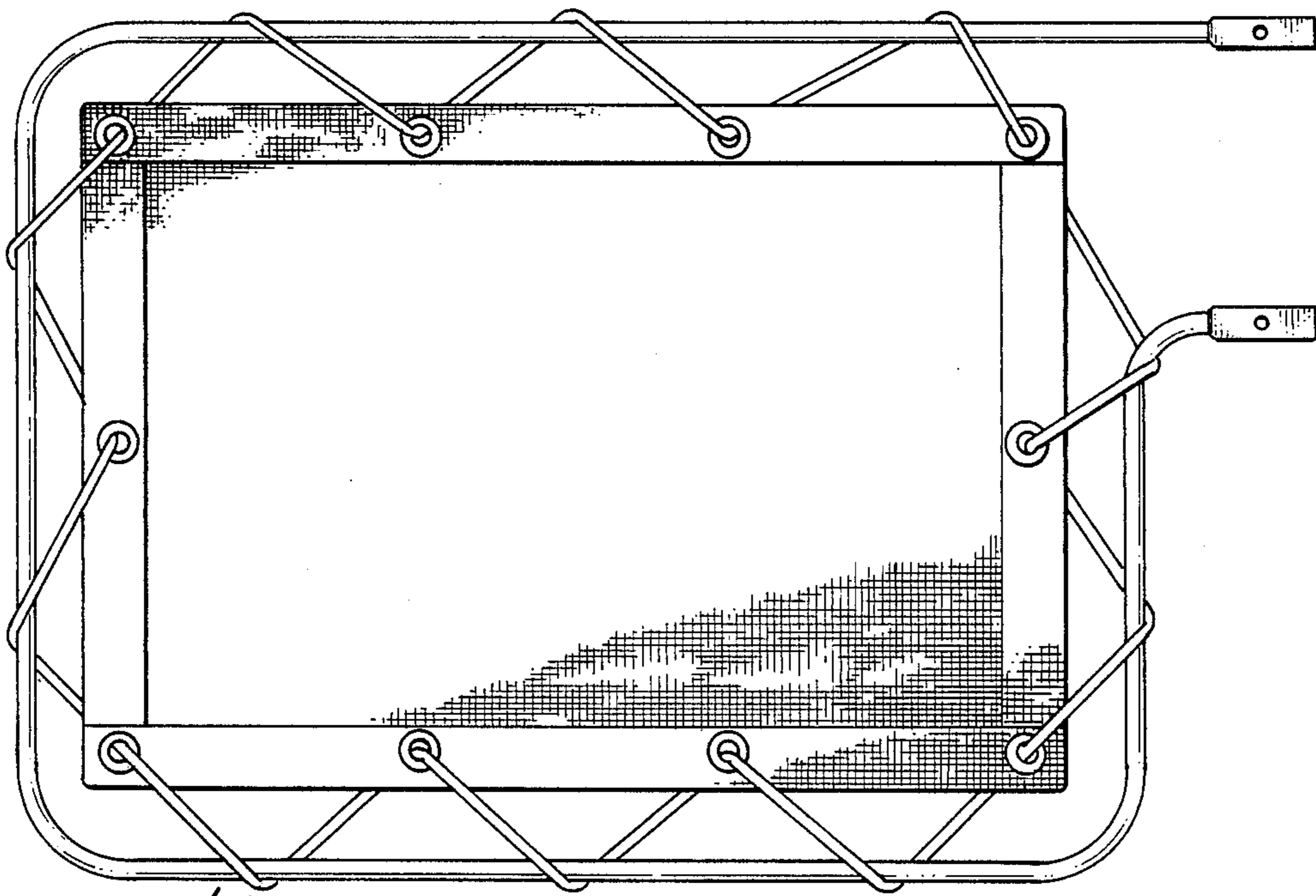


FIG. 2



FIG. 3

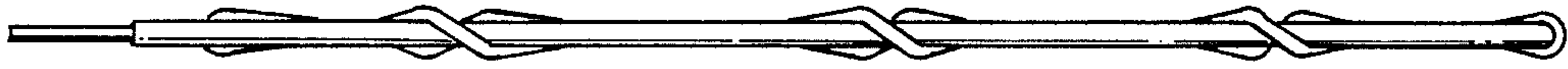


FIG. 4

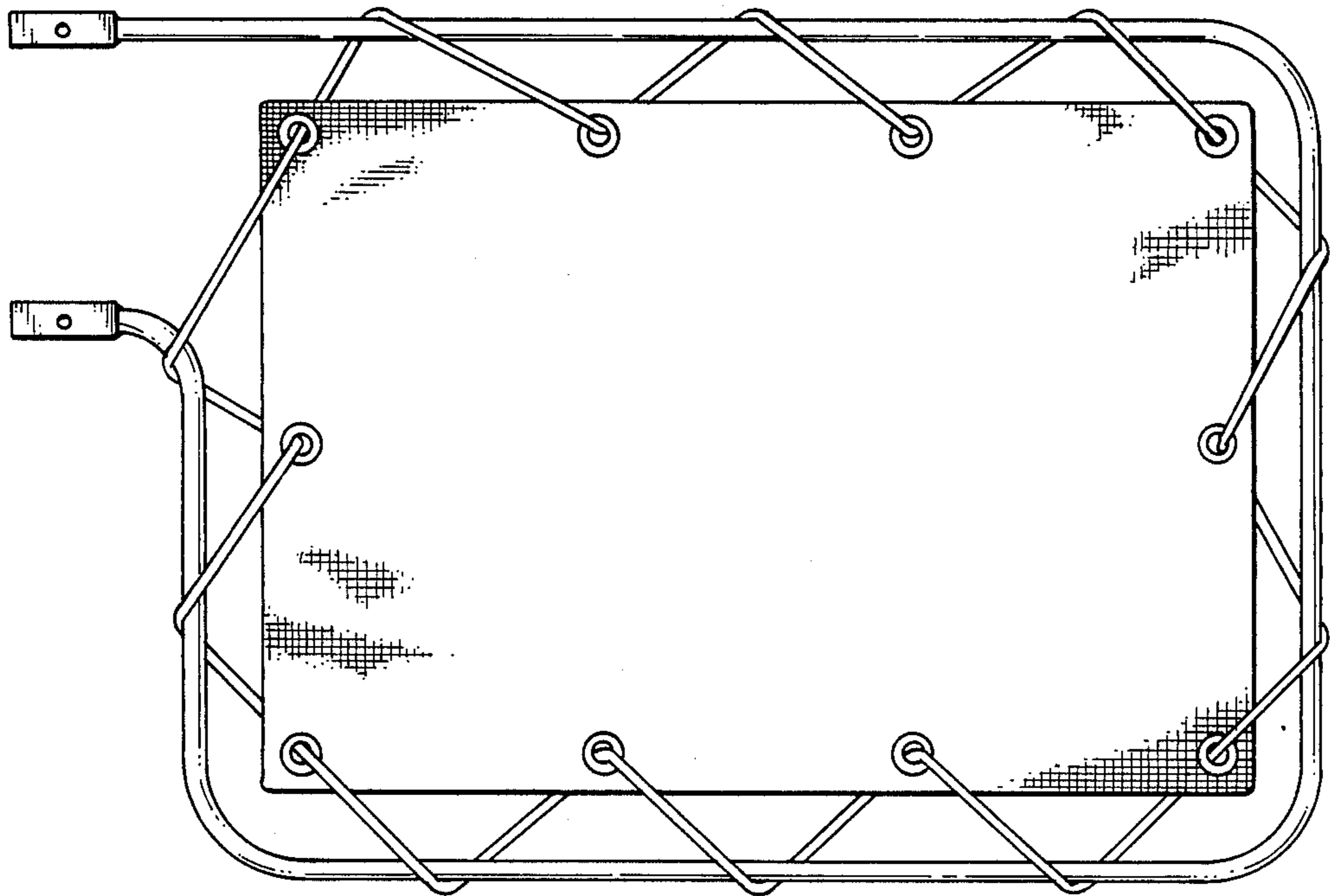


FIG. 5



FIG. 6

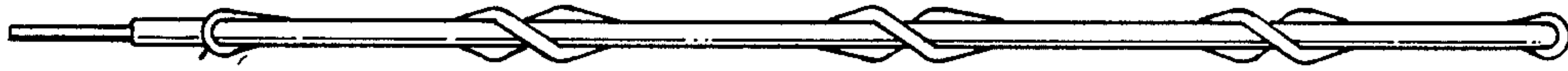


FIG. 7

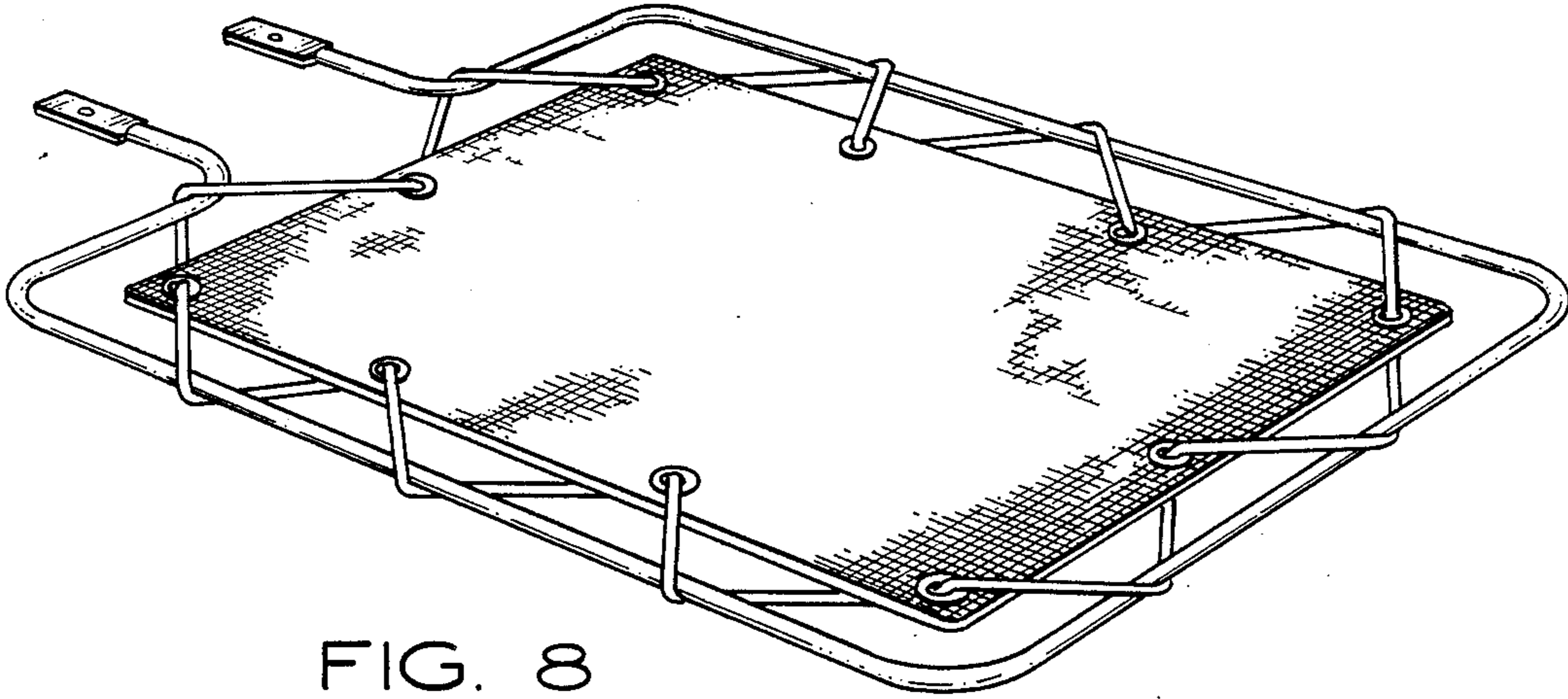


FIG. 8

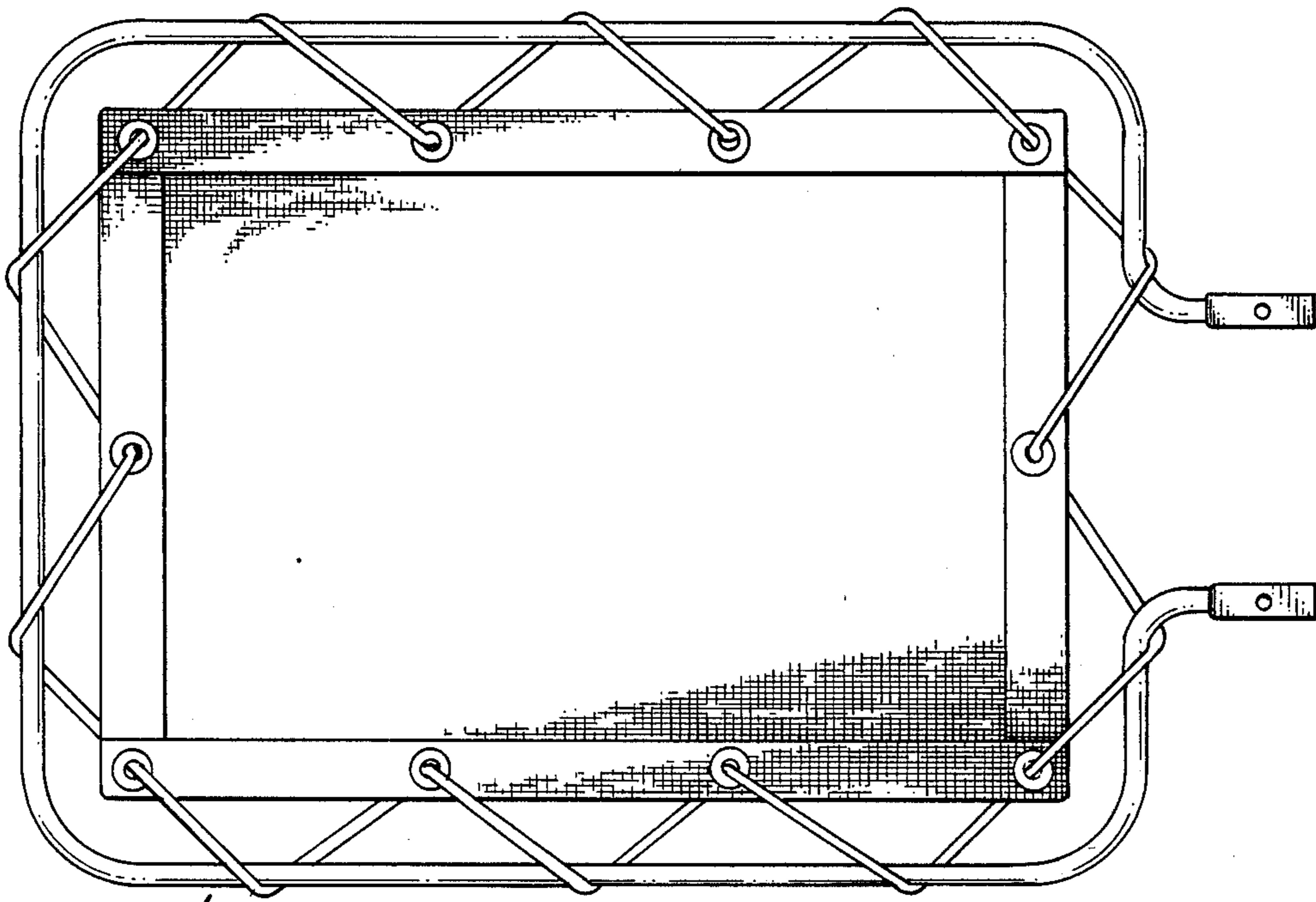


FIG. 9



FIG. 10

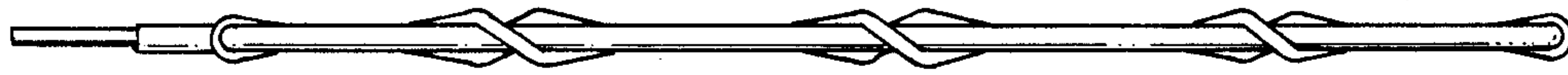


FIG. 11

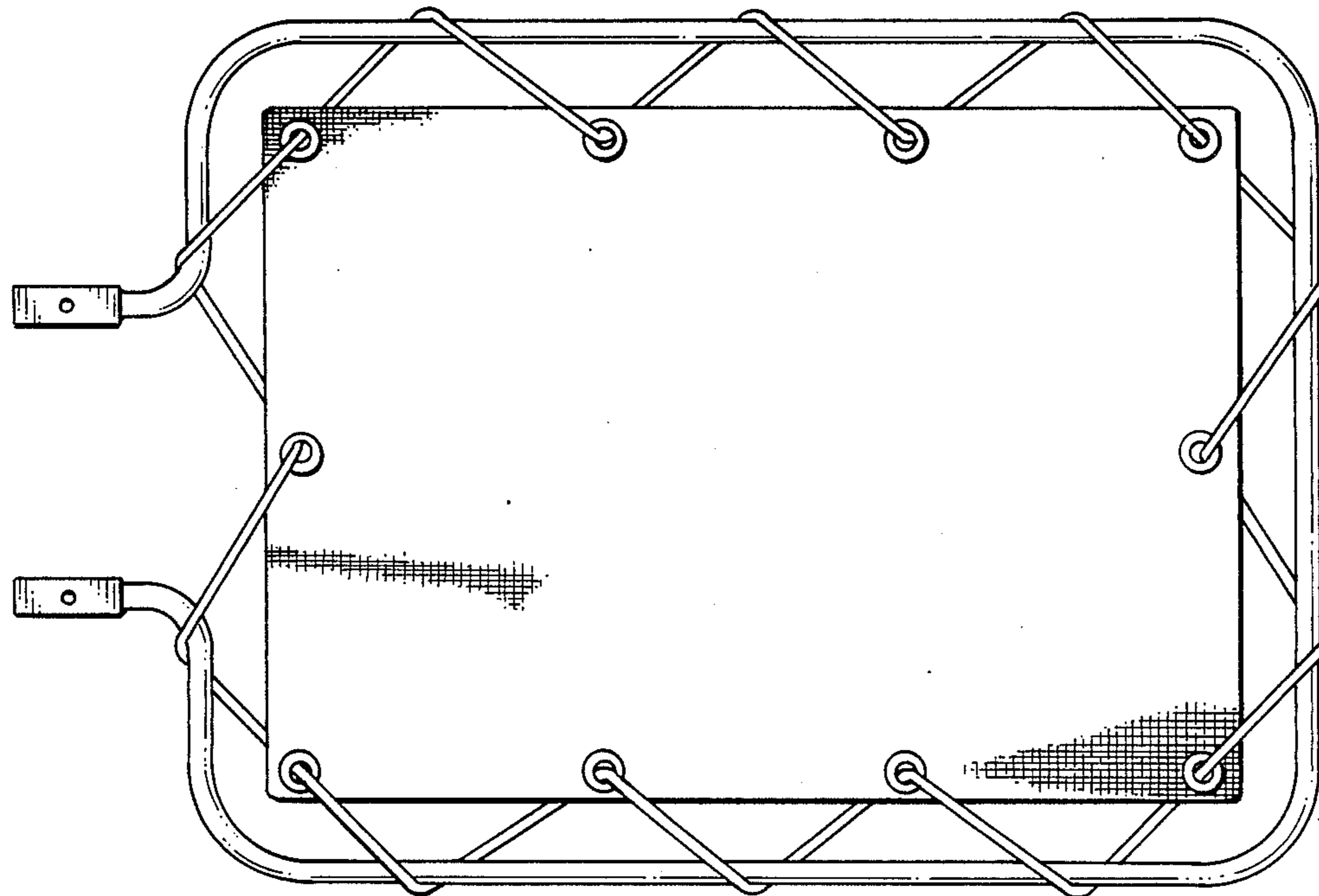


FIG. 12



FIG. 13

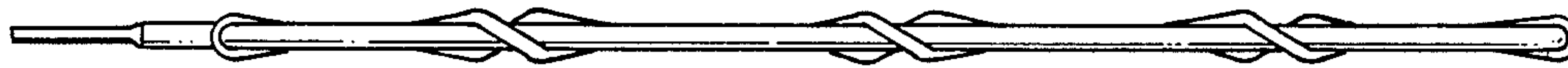


FIG. 14