

[54] POCKET FAN OR SIMILAR ARTICLE

[76] Inventor: Chin-Tien Hsu, No. 7, Lane 120, Hu-Lin St., Taipei, Taiwan

[\*\*] Term: 14 Years

[21] Appl. No.: 211,716

[22] Filed: Jun. 24, 1988

[52] U.S. Cl. .... D23/382; 416/63

[58] Field of Search ..... D23/382; 417/234, 411; 416/170 C, 63; 415/247, 211.2

[56] References Cited

U.S. PATENT DOCUMENTS

D. 104,119	4/1937	Schwarz	.....	D23/382
1,254,042	1/1918	Howe	.....	416/63
2,077,643	4/1937	Ruppe et al.	.....	416/170 C
2,100,994	11/1937	Cohen	.....	416/247
2,595,406	5/1952	Popovich	.....	417/411

FOREIGN PATENT DOCUMENTS

488502	12/1952	Canada	.....	417/411
3337241	5/1984	Fed. Rep. of Germany	.....	416/63
845236	8/1960	United Kingdom	.....	417/411

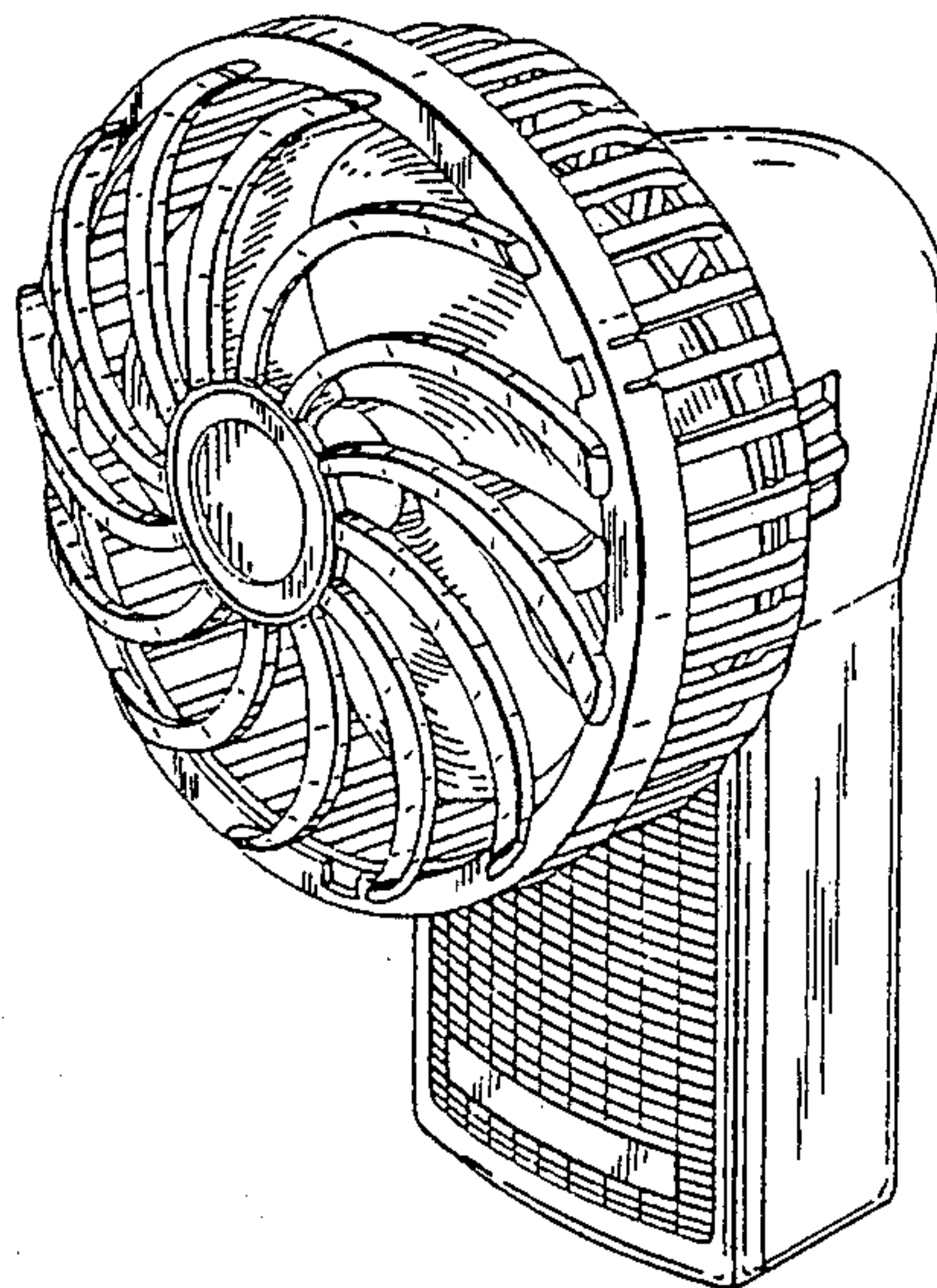
Primary Examiner—James M. Gandy  
Assistant Examiner—Lisa Lichtenstein  
Attorney, Agent, or Firm—Harness, Dickey & Pierce

[57] CLAIM

The ornamental design for pocket fan or similar article, as shown.

DESCRIPTION

FIG. 1 is a perspective view of pocket fan or similar article showing my new design;  
FIG. 2 is a front elevational view thereof;  
FIG. 3 is a rear elevational view thereof;  
FIG. 4 is a left side elevational view thereof;  
FIG. 5 is a right side elevational view thereof;  
FIG. 6 is a top plan view thereof; and  
FIG. 7 is a bottom plan view thereof.



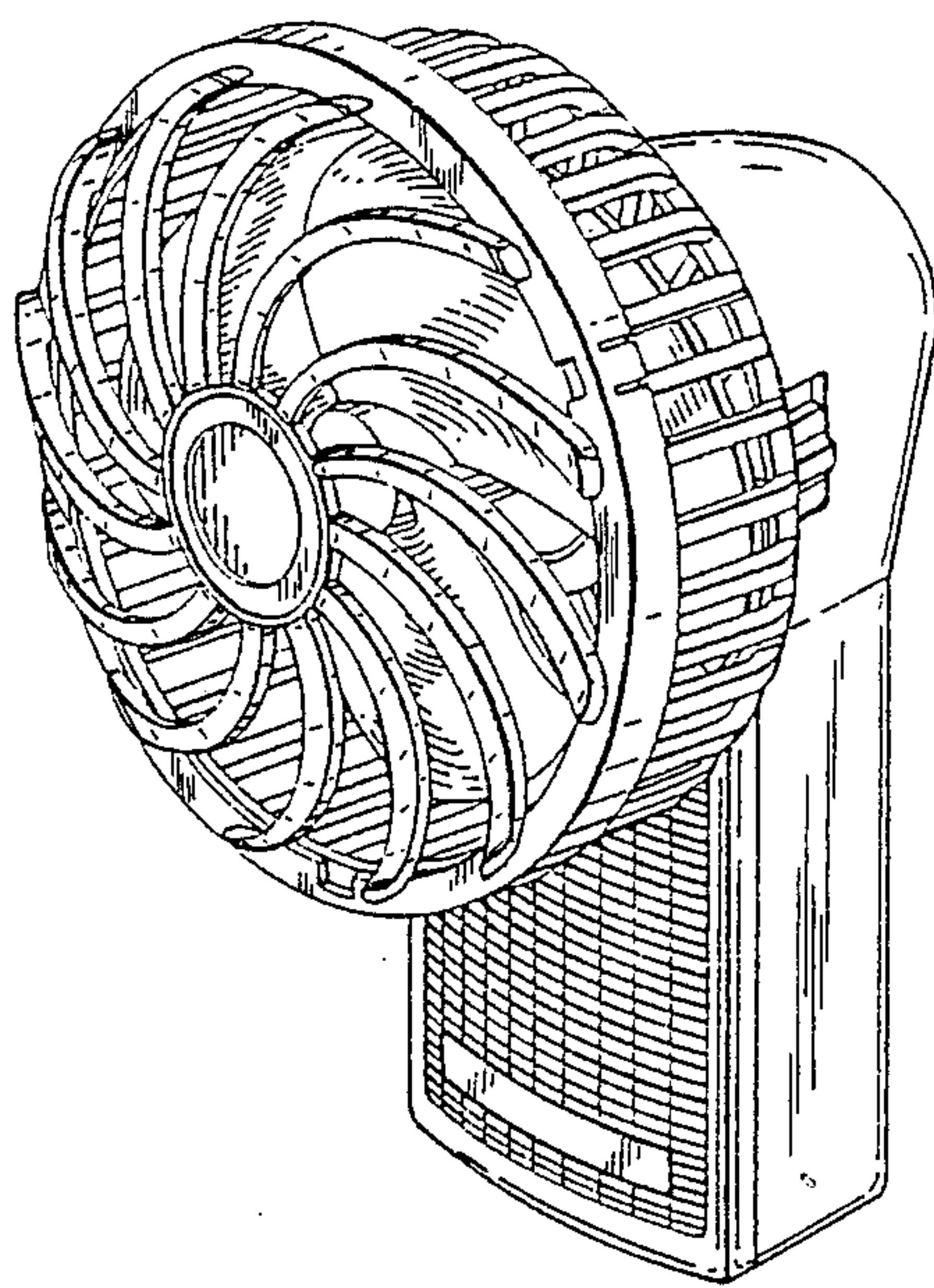


FIG. 1

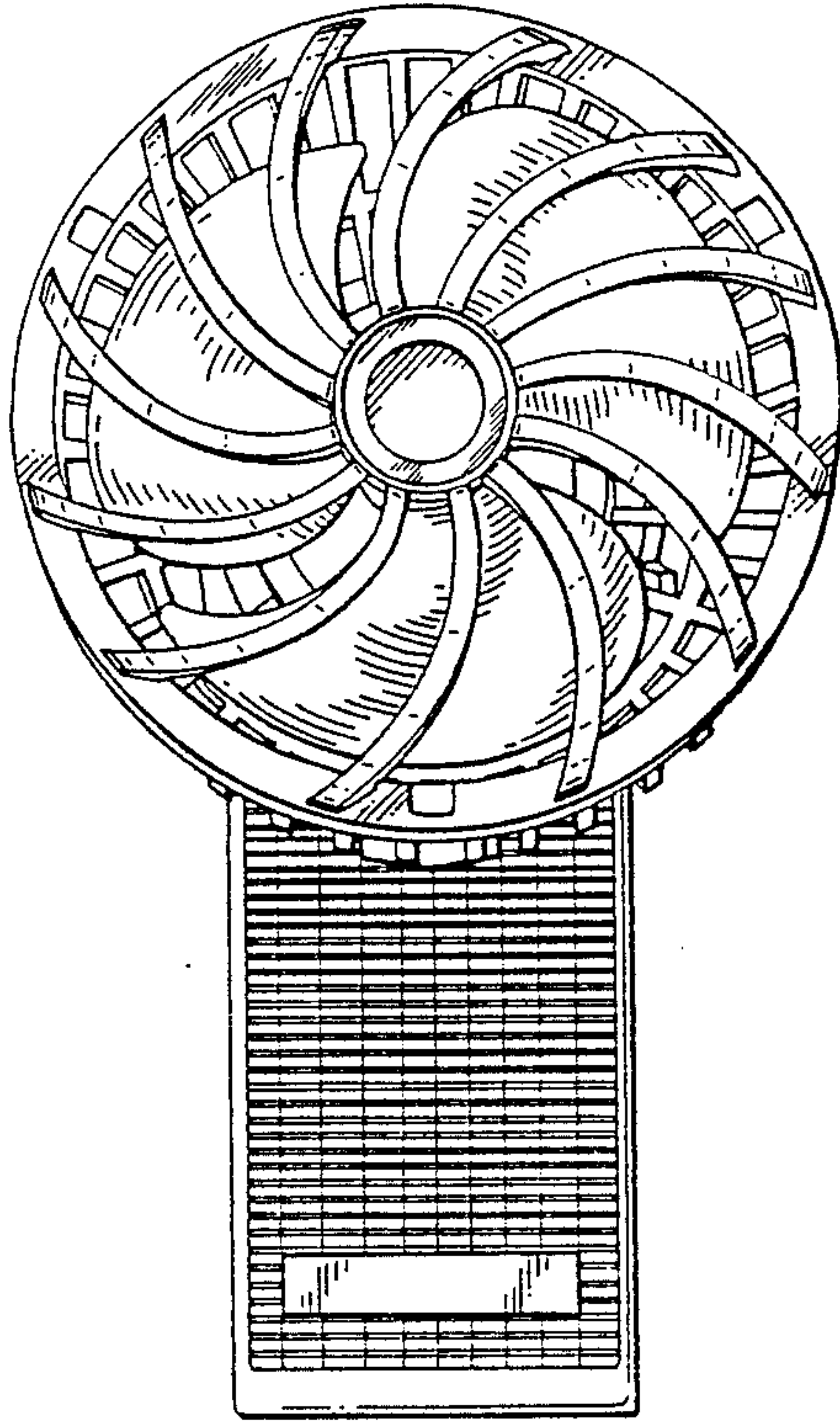


FIG. 2

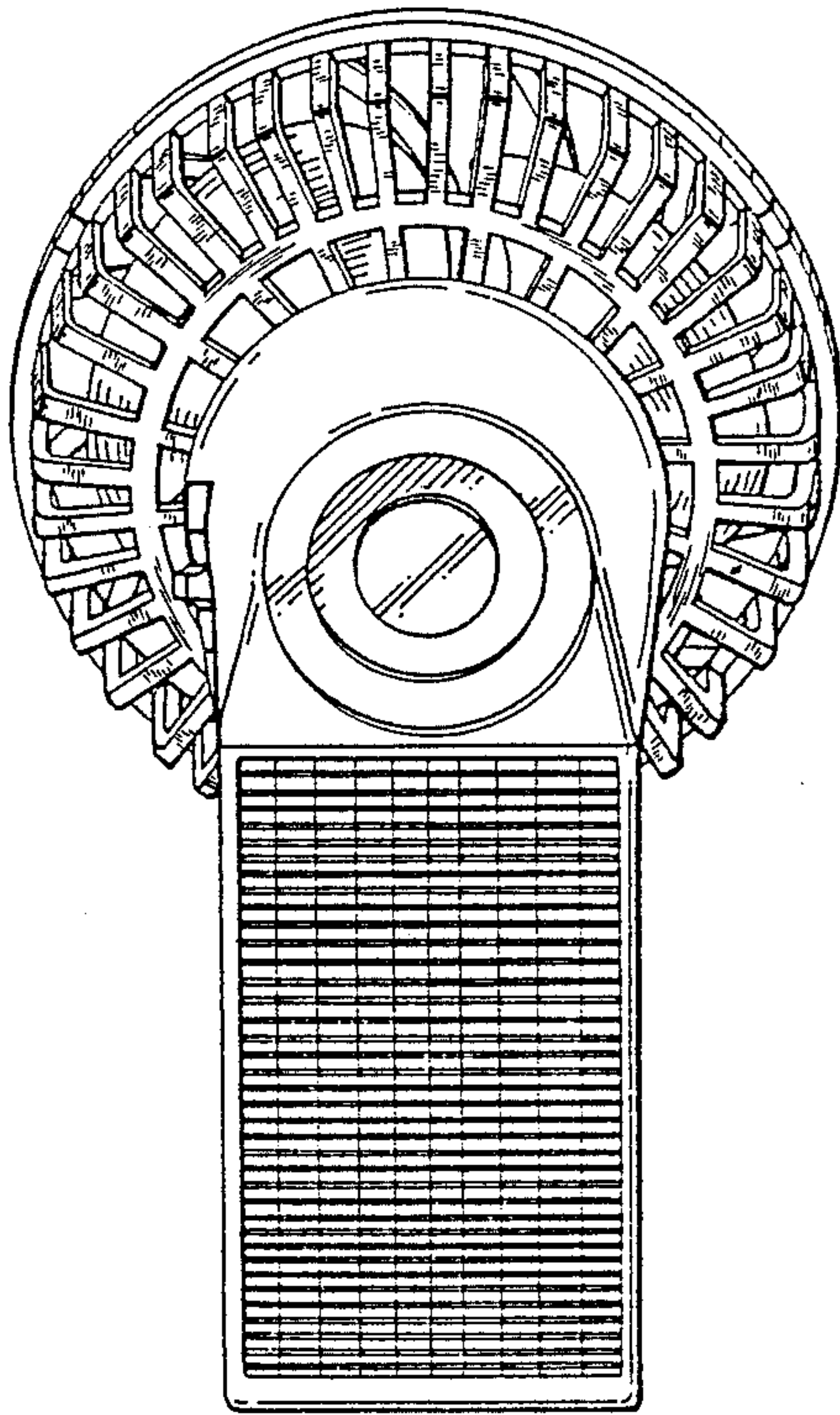


FIG. 3



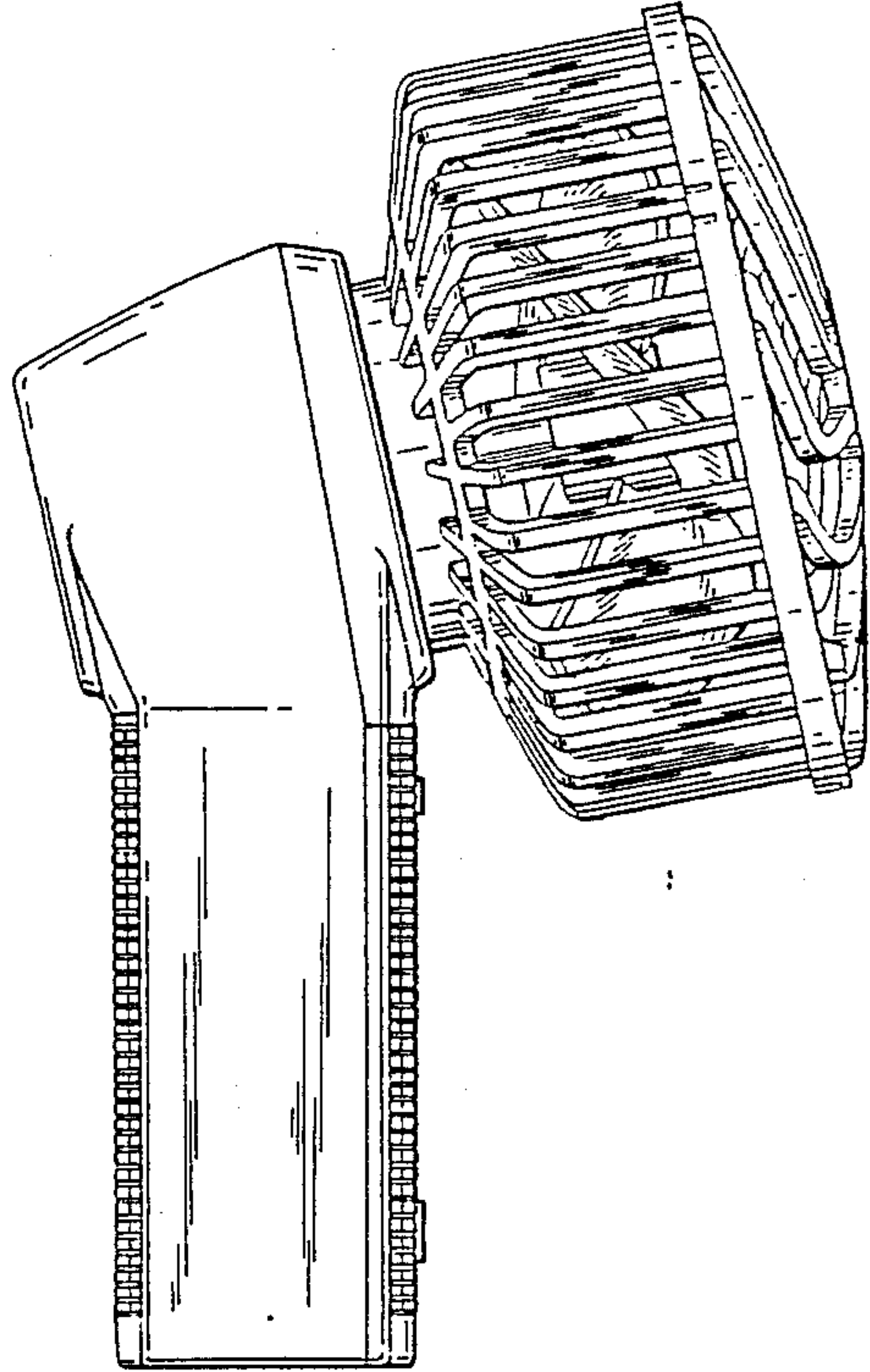


FIG. 4

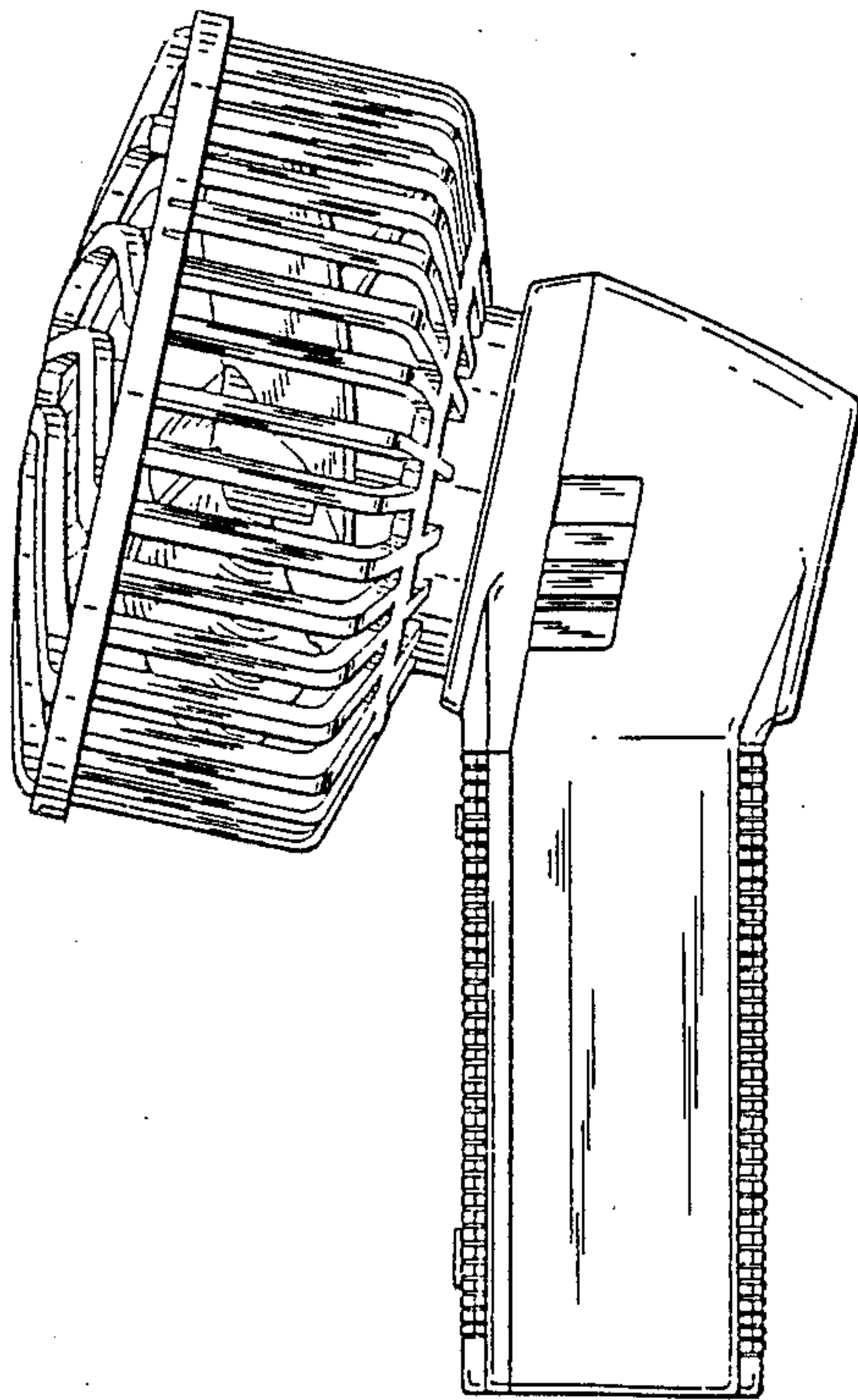


FIG. 5

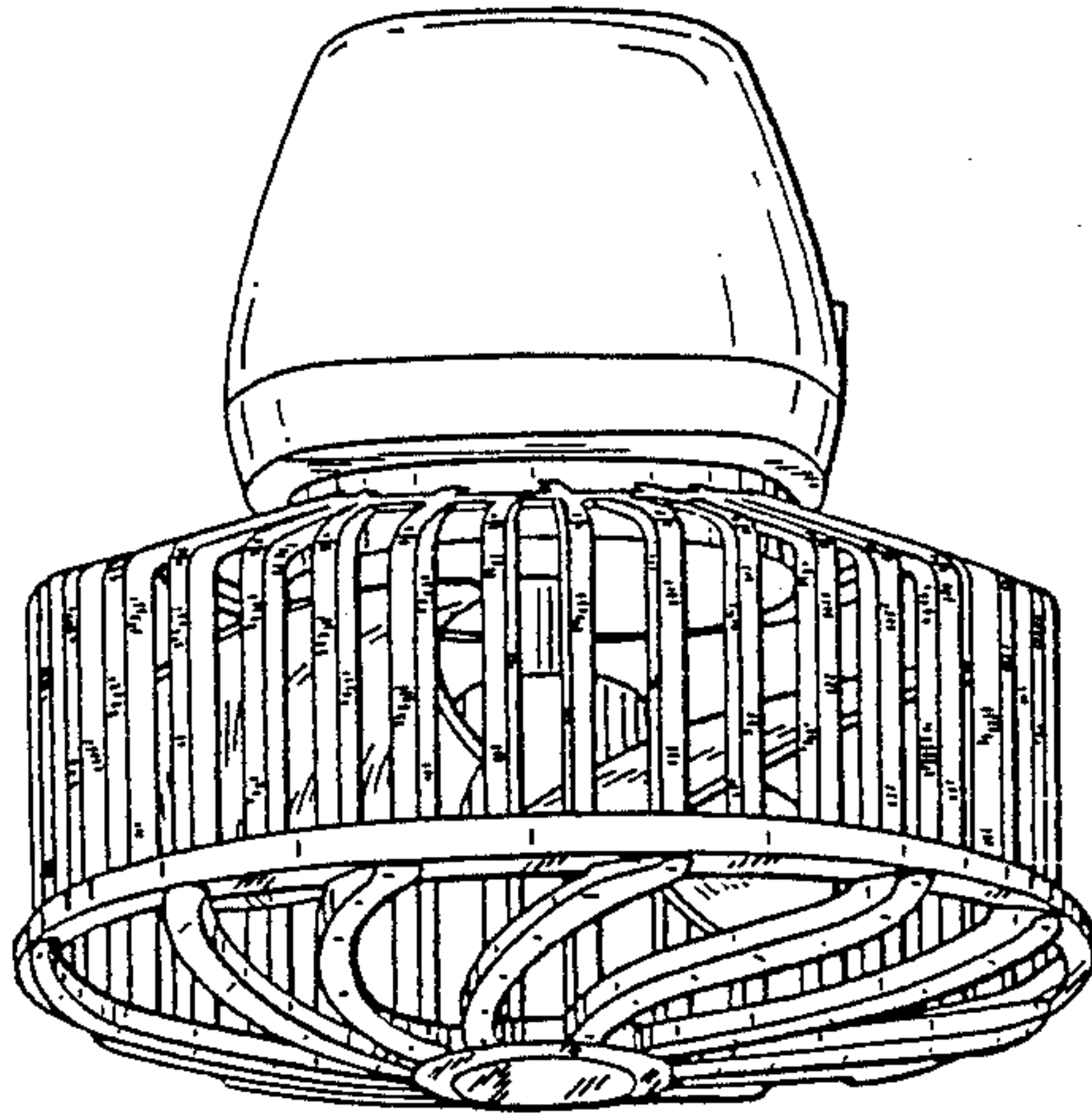


FIG. 6

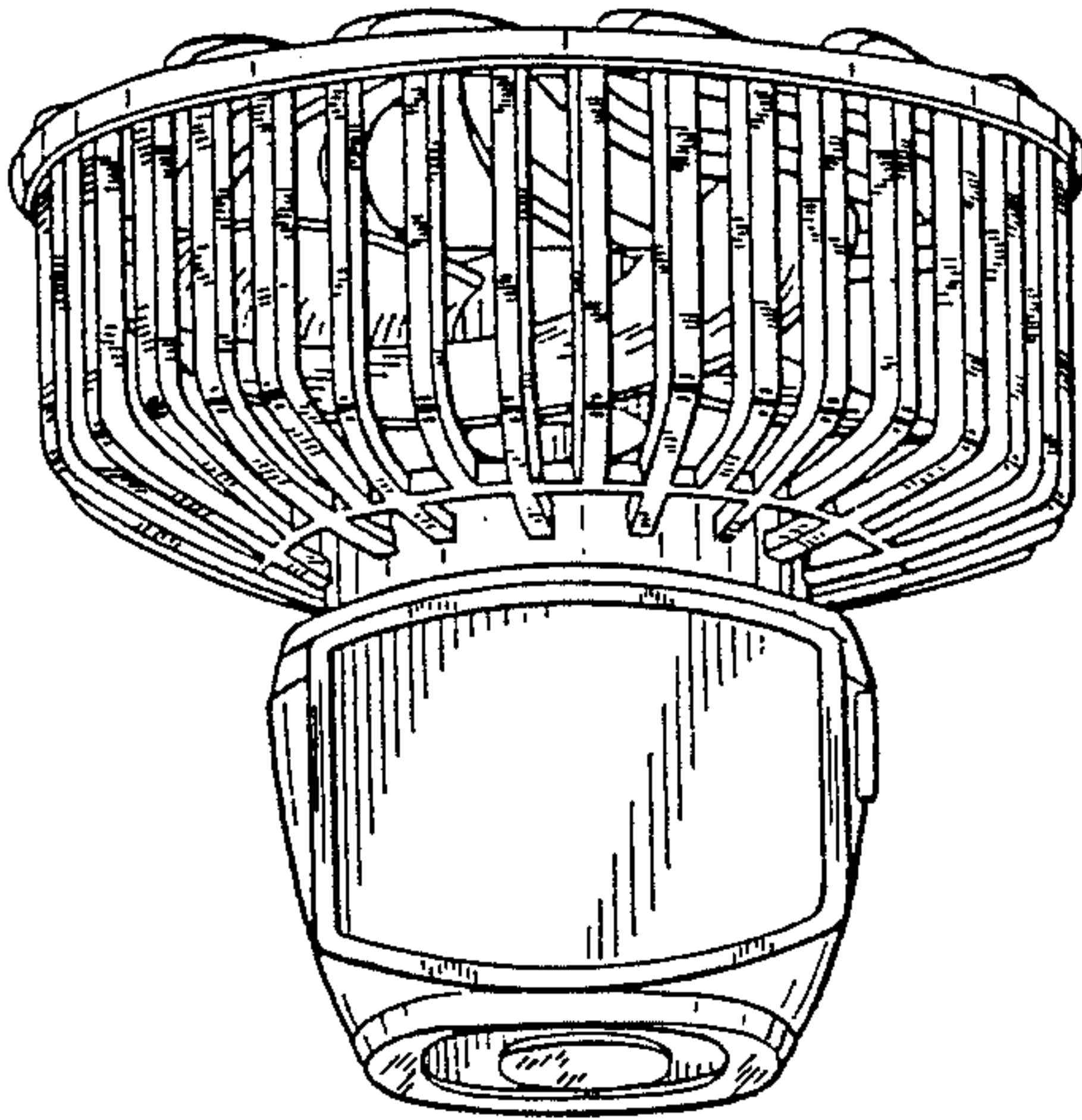


FIG. 7