

[54] STORAGE CONTAINER FOR PLACEMENT ATOP A TOILET TANK

2,099,932 11/1937 Isaacson D23/313 X
3,181,176 5/1965 Nagy et al. 4/321 X
3,893,615 7/1975 Johnson D6/440 X

[76] Inventor: Charles A. Lowder, Sr., 705 S. Redwood Rd. #70, Salt Lake City, County of Salt Lake, Utah 84104

Primary Examiner—Wallace R. Burke
Assistant Examiner—Brian N. Vinson
Attorney, Agent, or Firm—M. Ralph Shaffer

[**] Term: 14 Years

[57] CLAIM

[21] Appl. No.: 184,031

The ornamental design for a storage container for placement atop a toilet tank, as shown and described.

[22] Filed: Apr. 11, 1988

[52] U.S. Cl. D23/313; D6/524

[58] Field of Search D6/512, 524, 396, 406, D6/422, 428, 432, 440, 445-446, 448, 510; D23/313, 311; 4/321, 419, 661, 191; 211/1, 13, 86

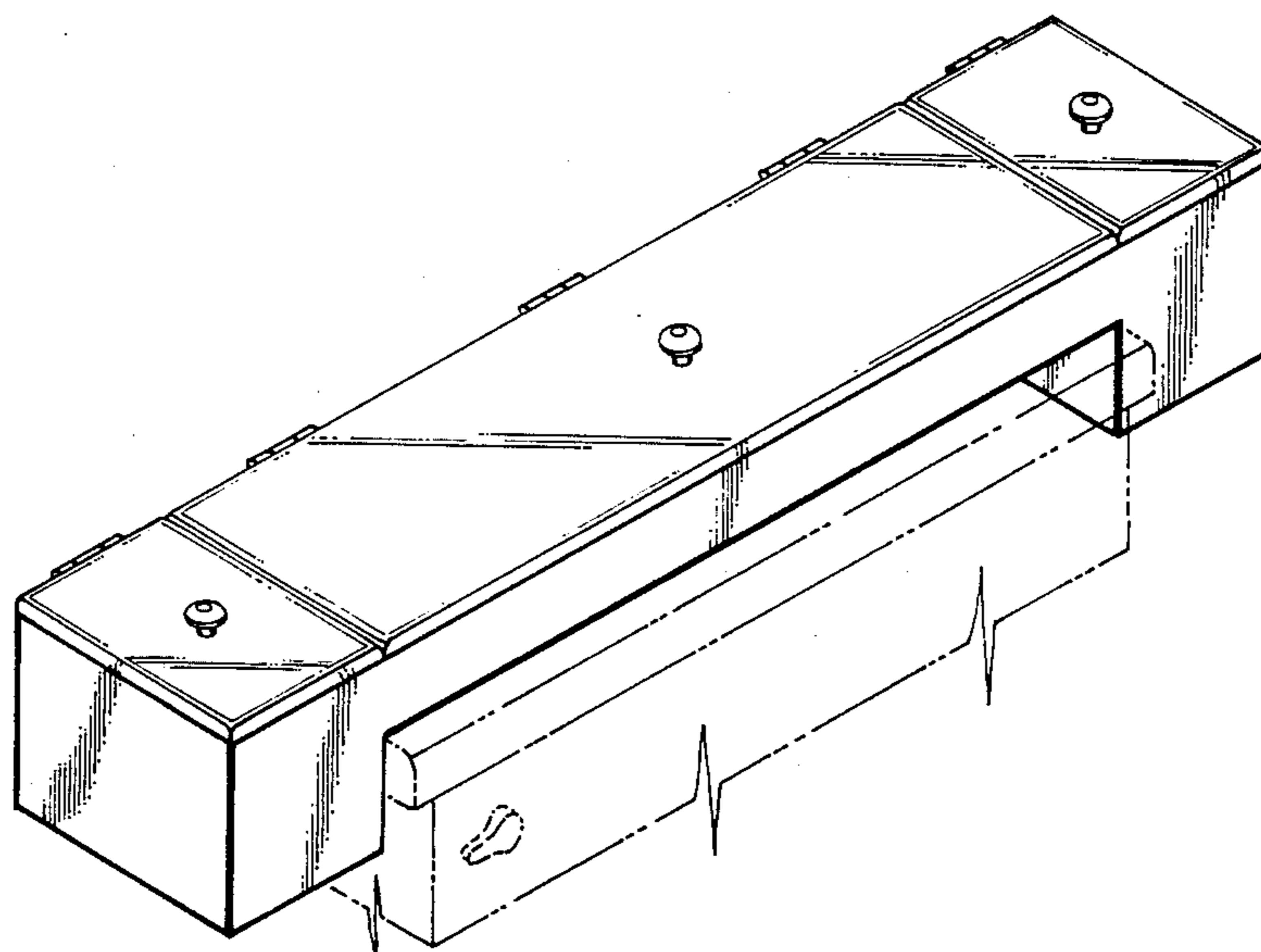
DESCRIPTION

FIG. 1 is a top plan view of a storage container for placement atop a toilet tank showing my new design; FIG. 2 is a front elevational view thereof; FIG. 3 is a bottom plan view thereof; FIG. 4 is a rear elevational view thereof; FIG. 5 is a right side elevational view thereof; FIG. 6 is a left side elevational view thereof; and FIG. 7 is a perspective view thereof, the broken-line showing of portions of a toilet tank and lid being for illustrative purposes only and forming no part of the claimed design.

[56] References Cited

U.S. PATENT DOCUMENTS

D. 99,439 4/1936 Lauber D23/313
D. 270,936 10/1983 Everson D23/313 X
D. 278,397 4/1985 Frankenreiter D6/440
D. 282,043 1/1986 Morin D6/406 X
1,861,802 6/1932 Kelly D23/313 X



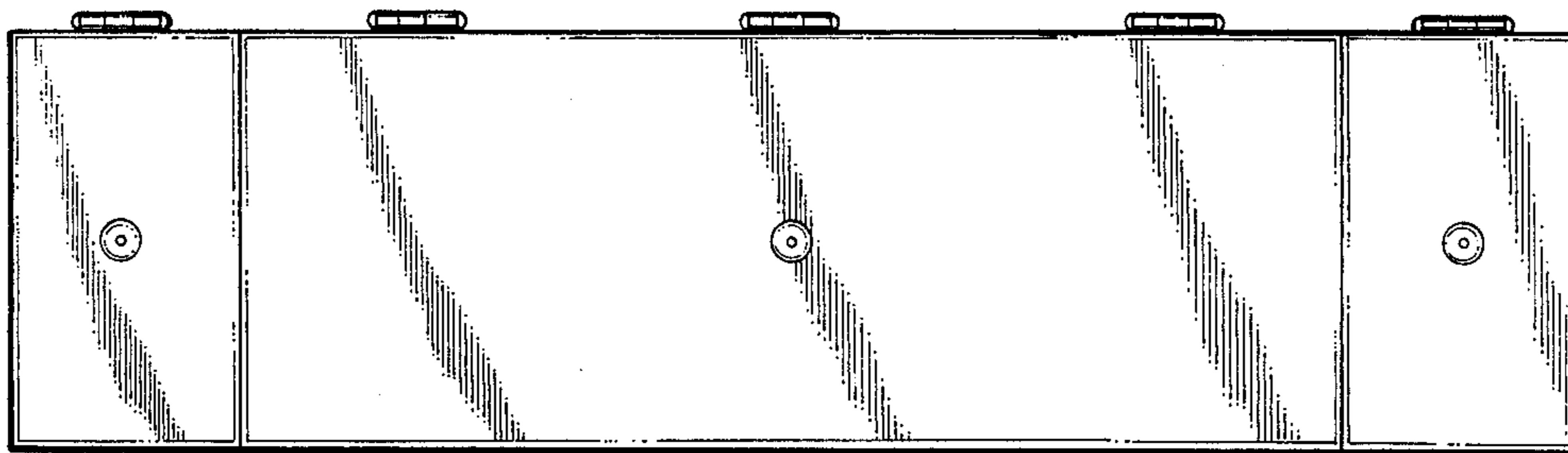


FIG. 1

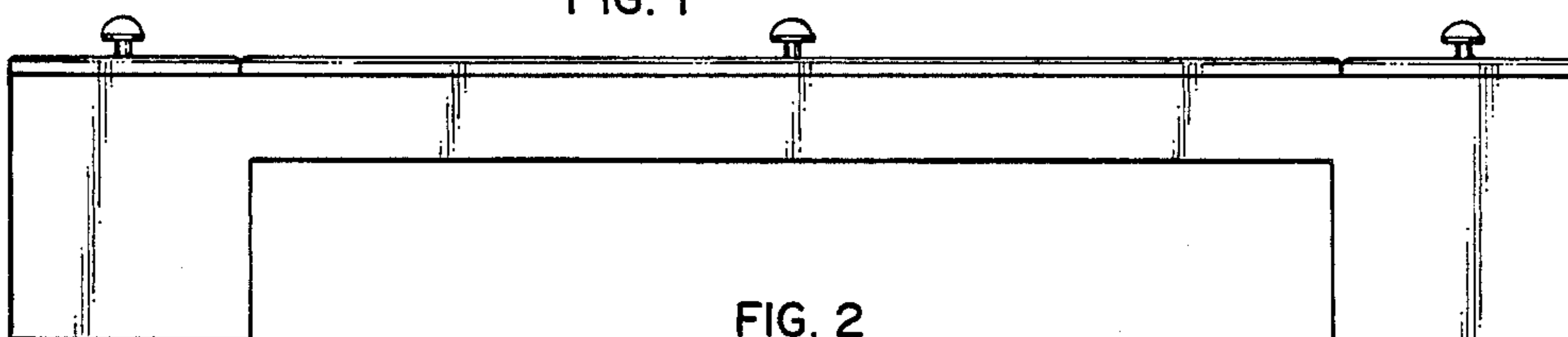


FIG. 2

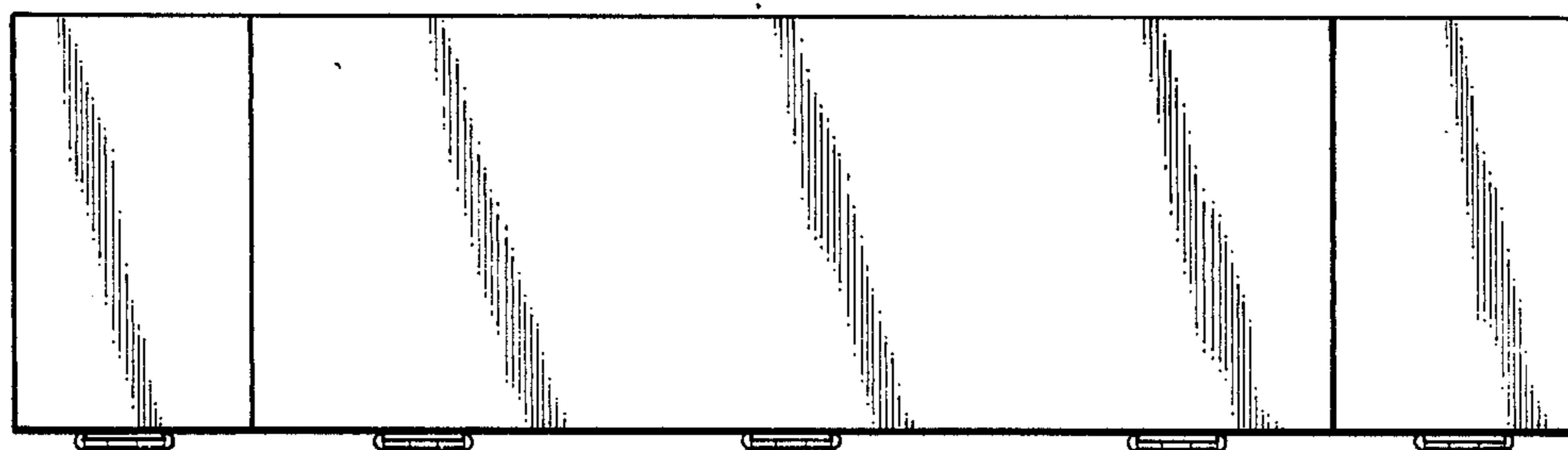


FIG. 3

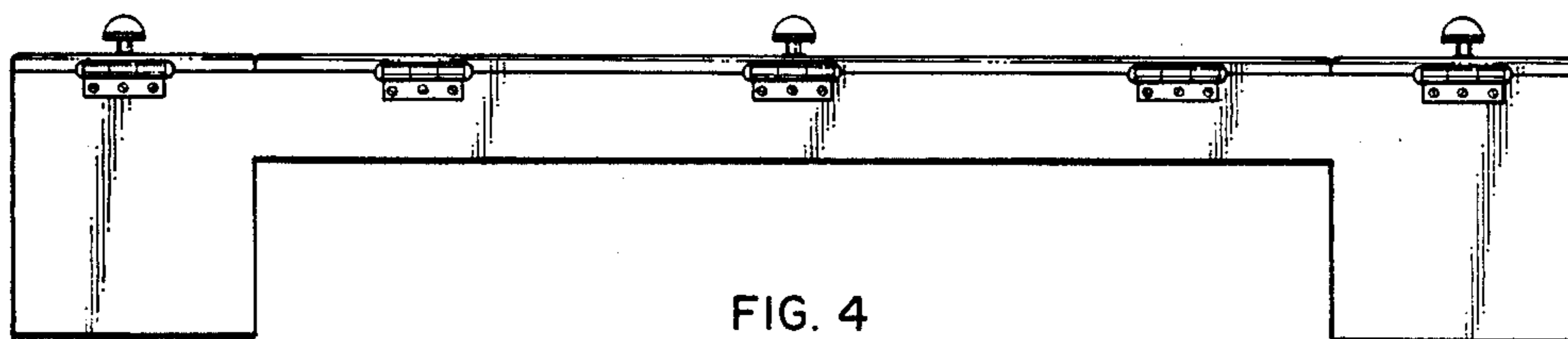


FIG. 4

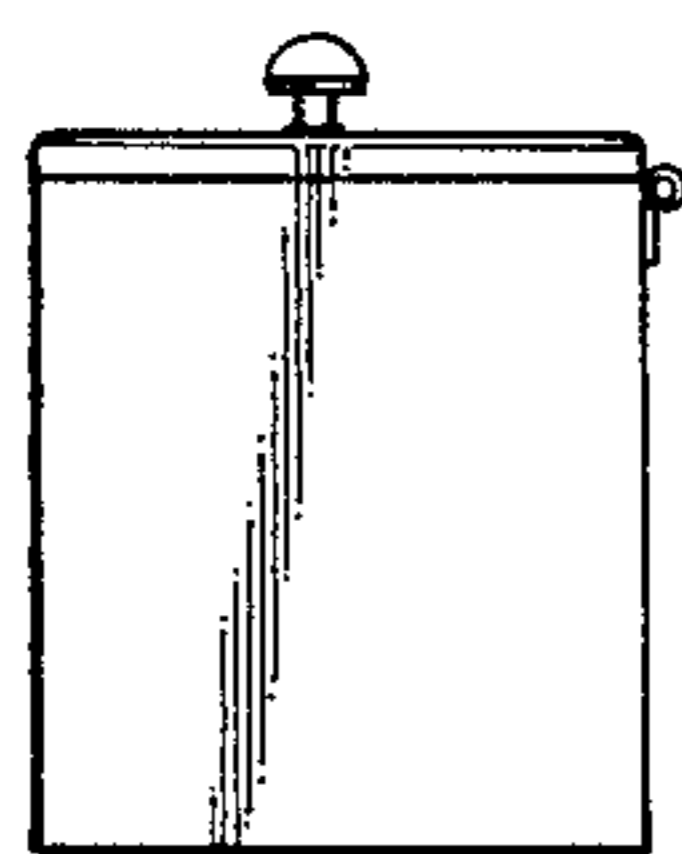


FIG. 5

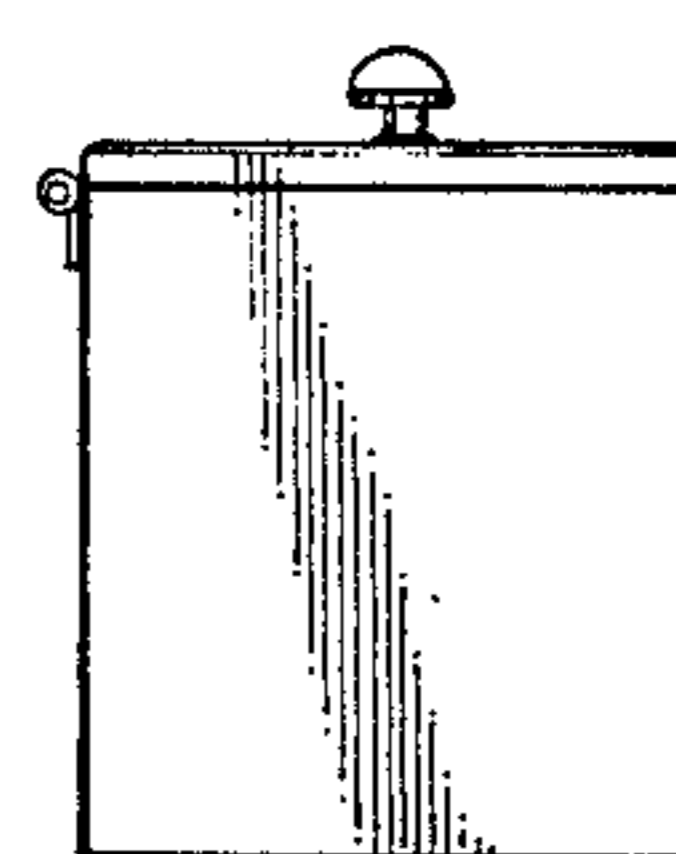


FIG. 6

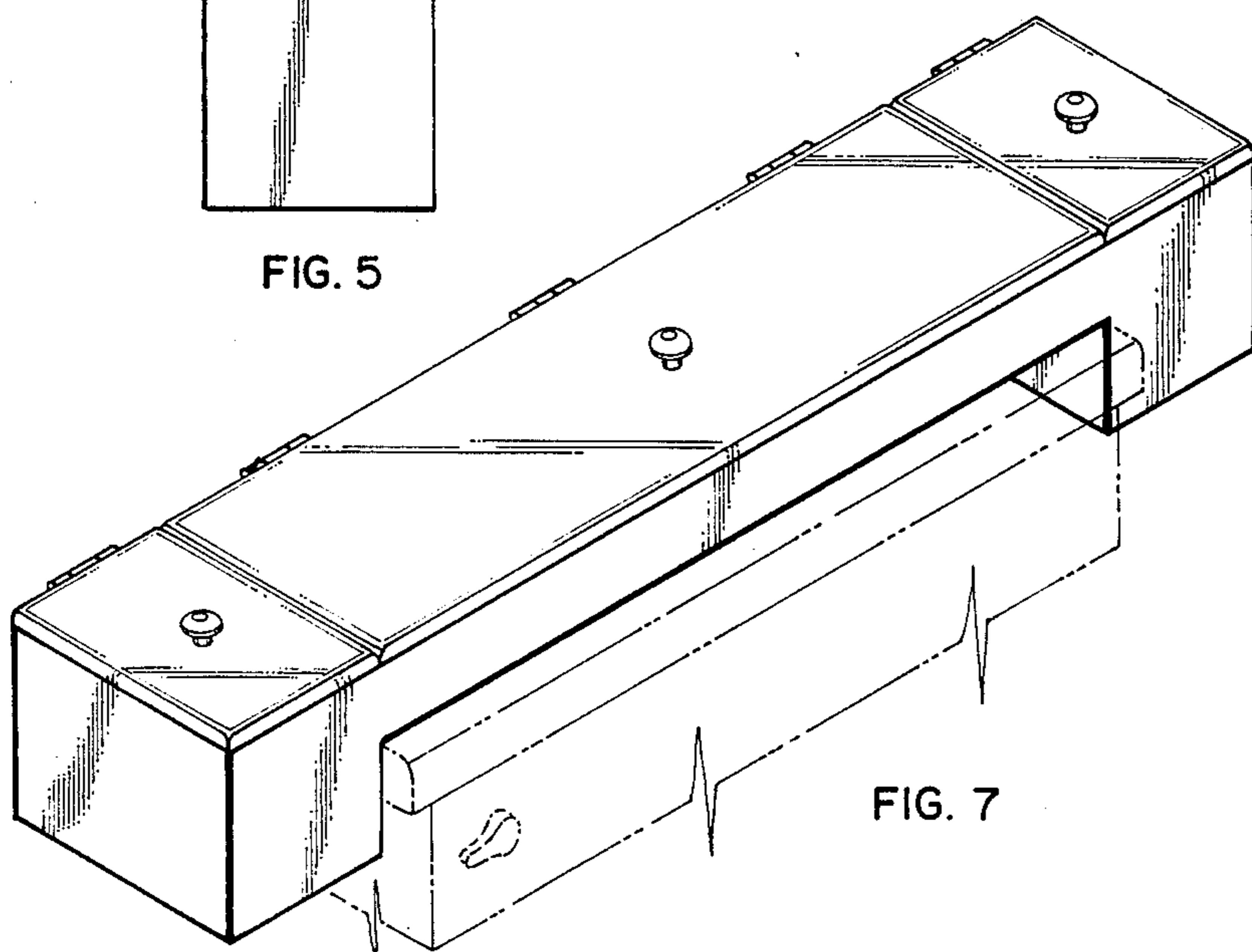


FIG. 7