

United States Patent [19]

Hastings et al.

[11] Patent Number: **Des. 309,175**

[45] Date of Patent: **** Jul. 10, 1990**

[54] **WATER CONTROL VALVE**

[75] Inventors: **Malcolm Hastings, Coventry; John Lang, Bicester, both of England**

[73] Assignee: **Hozelock-ASL Limited, Haddenham, England**

[**] Term: **14 Years**

[21] Appl. No.: **909,083**

[22] Filed: **Sep. 18, 1986**

[30] **Foreign Application Priority Data**

- Jun. 10, 1986 [GB] United Kingdom 1034683
- [52] U.S. Cl. **D23/245**
- [58] Field of Search D23/233-237, D23/244-249

[56] **References Cited**

U.S. PATENT DOCUMENTS

- D. 191,294 9/1961 Charnota et al. D23/246
- D. 196,603 10/1963 Beinert D23/245
- D. 208,451 8/1967 Anesi D23/245

- D. 258,140 2/1981 Storman et al. D23/245
- D. 263,069 2/1982 Chow et al. D23/245
- D. 281,808 12/1985 Lenkin et al. D23/245

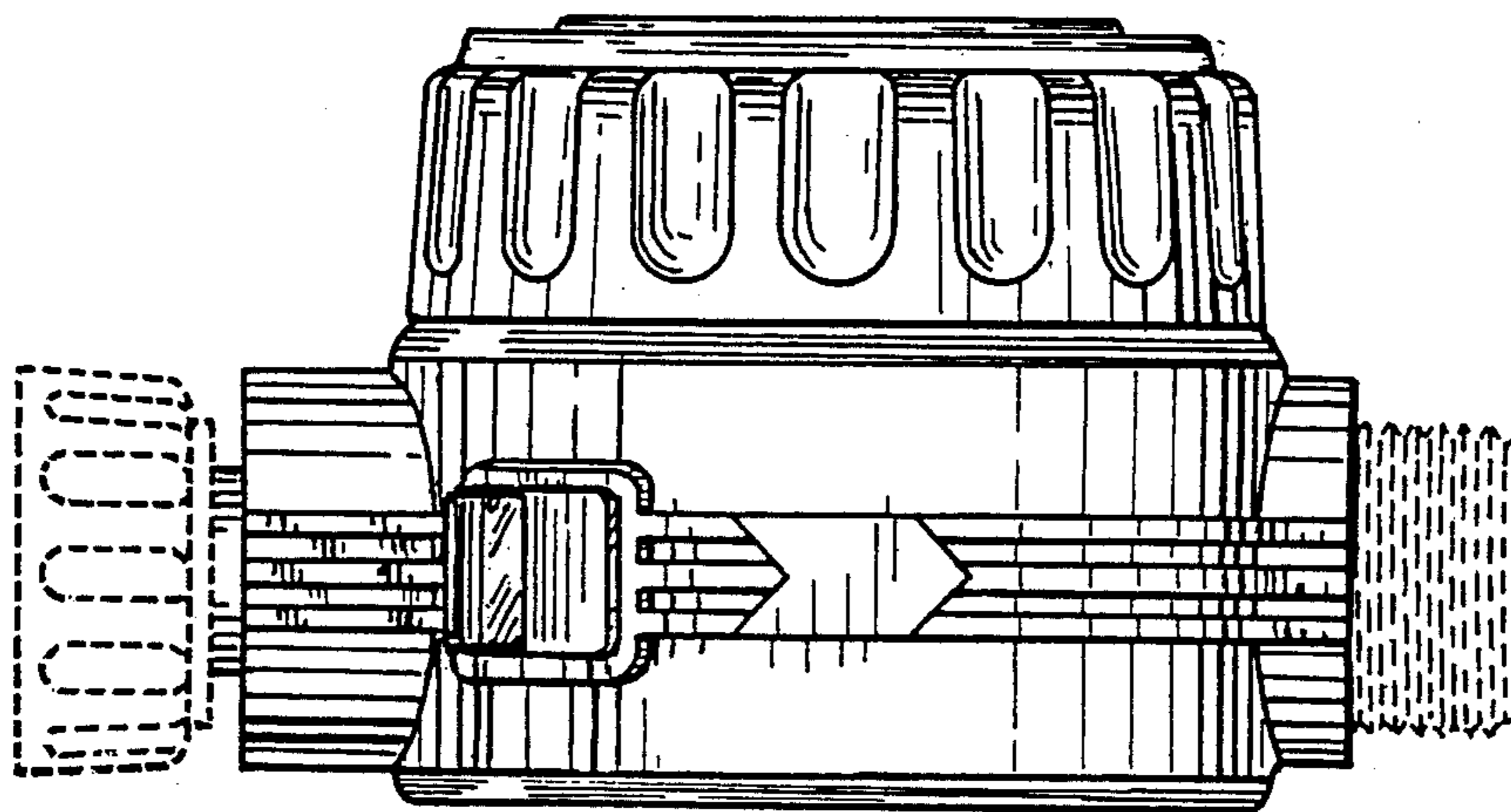
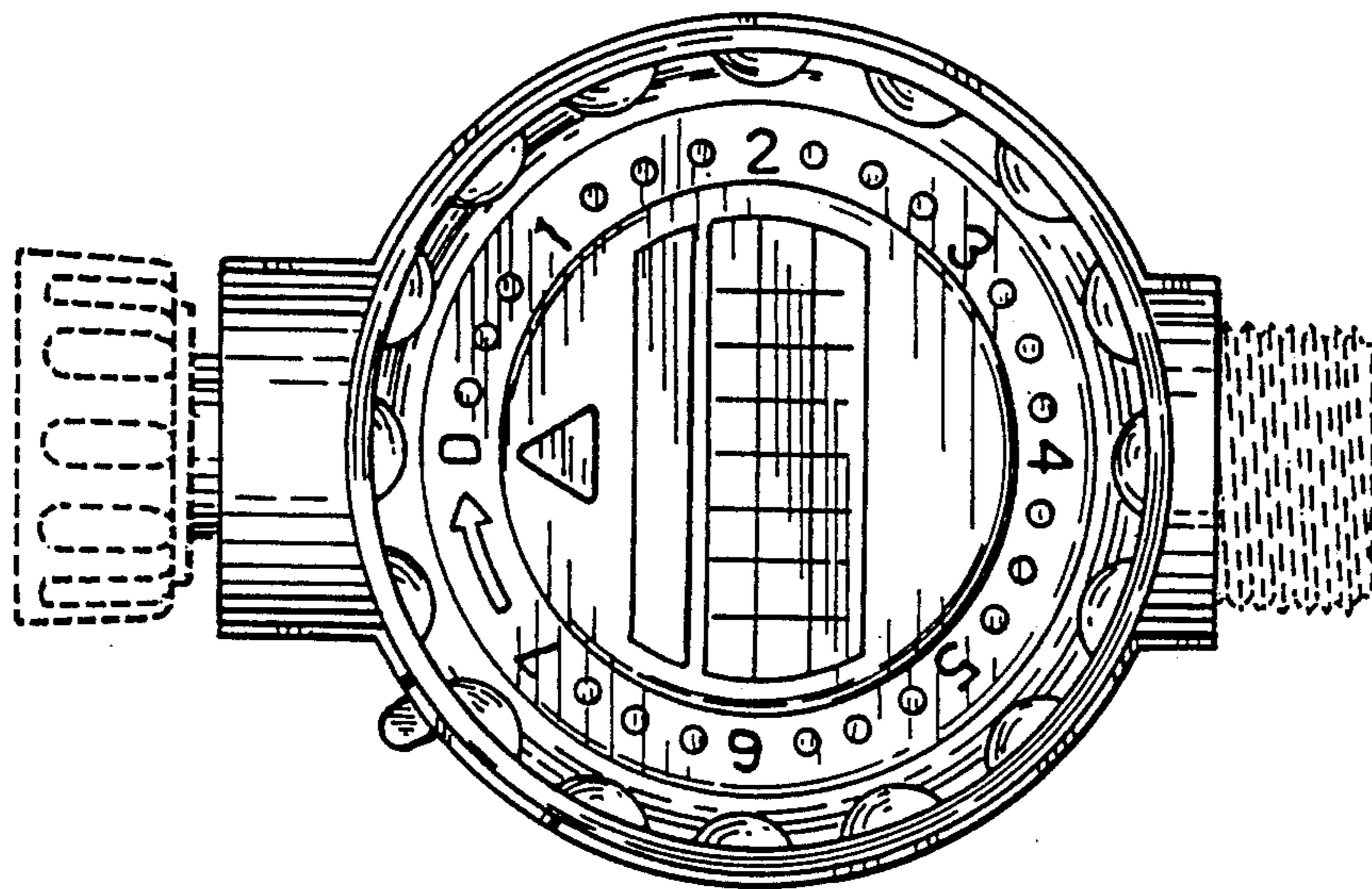
Primary Examiner—James R. Largen
Attorney, Agent, or Firm—Lee, Mann, Smith, McWilliams & Sweeney

[57] **CLAIM**

The ornamental design for a water control valve, as shown and described.

DESCRIPTION

FIG. 1 is a top plan view of a water control valve showing our new design;
 FIG. 2 is a bottom plan view thereof;
 FIG. 3 is a side elevational view thereof;
 FIG. 4 is an elevational view taken from the side opposite to that shown in FIG. 3;
 FIG. 5 is an end elevational view thereof; and
 FIG. 6 is an elevational view taken from the end opposite to that shown in FIG. 5.
 The broken line showing of hose connectors in FIGS. 1-6 is for purposes of illustration only and forms no part of the claimed design.



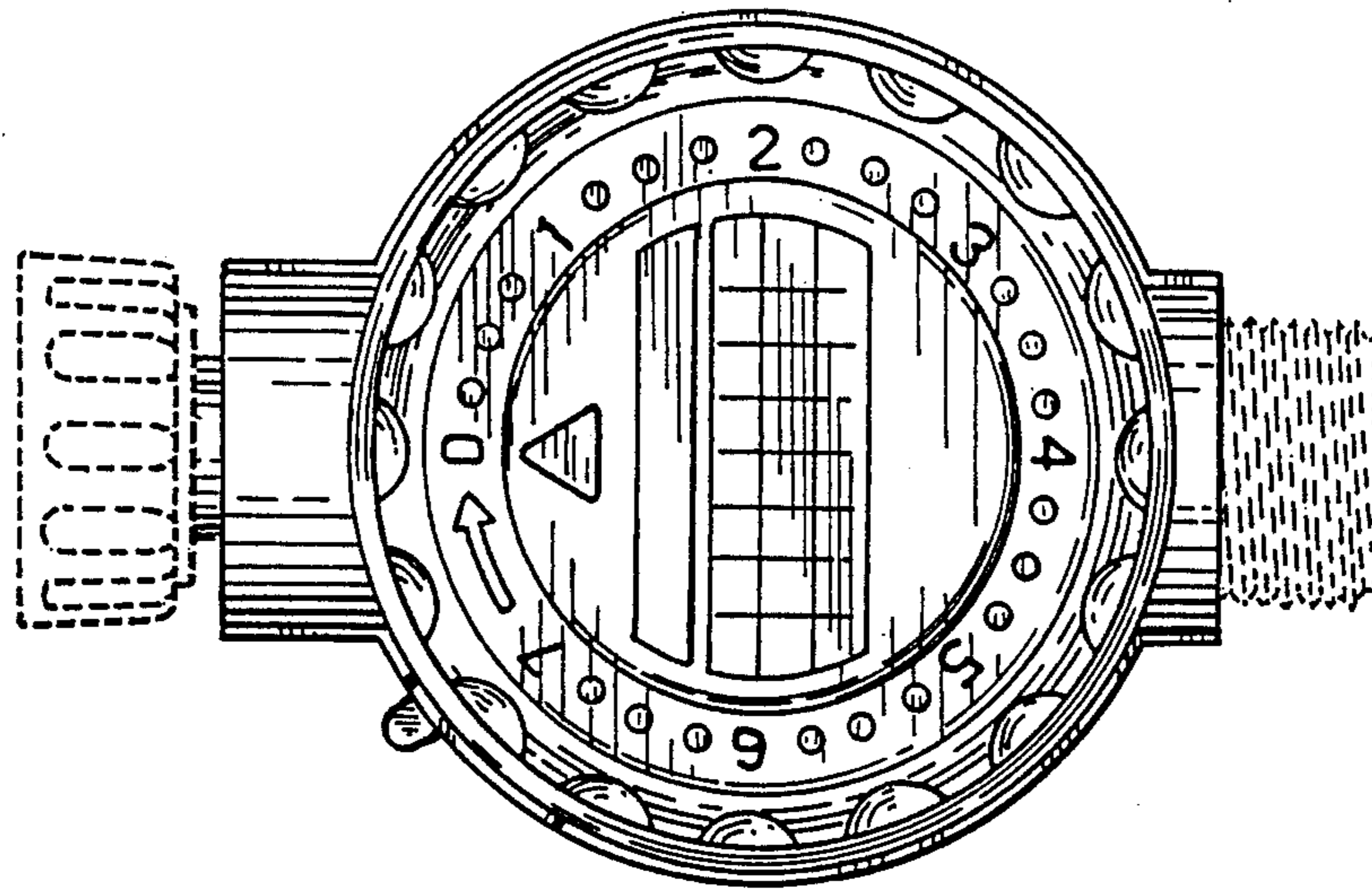


Fig.1

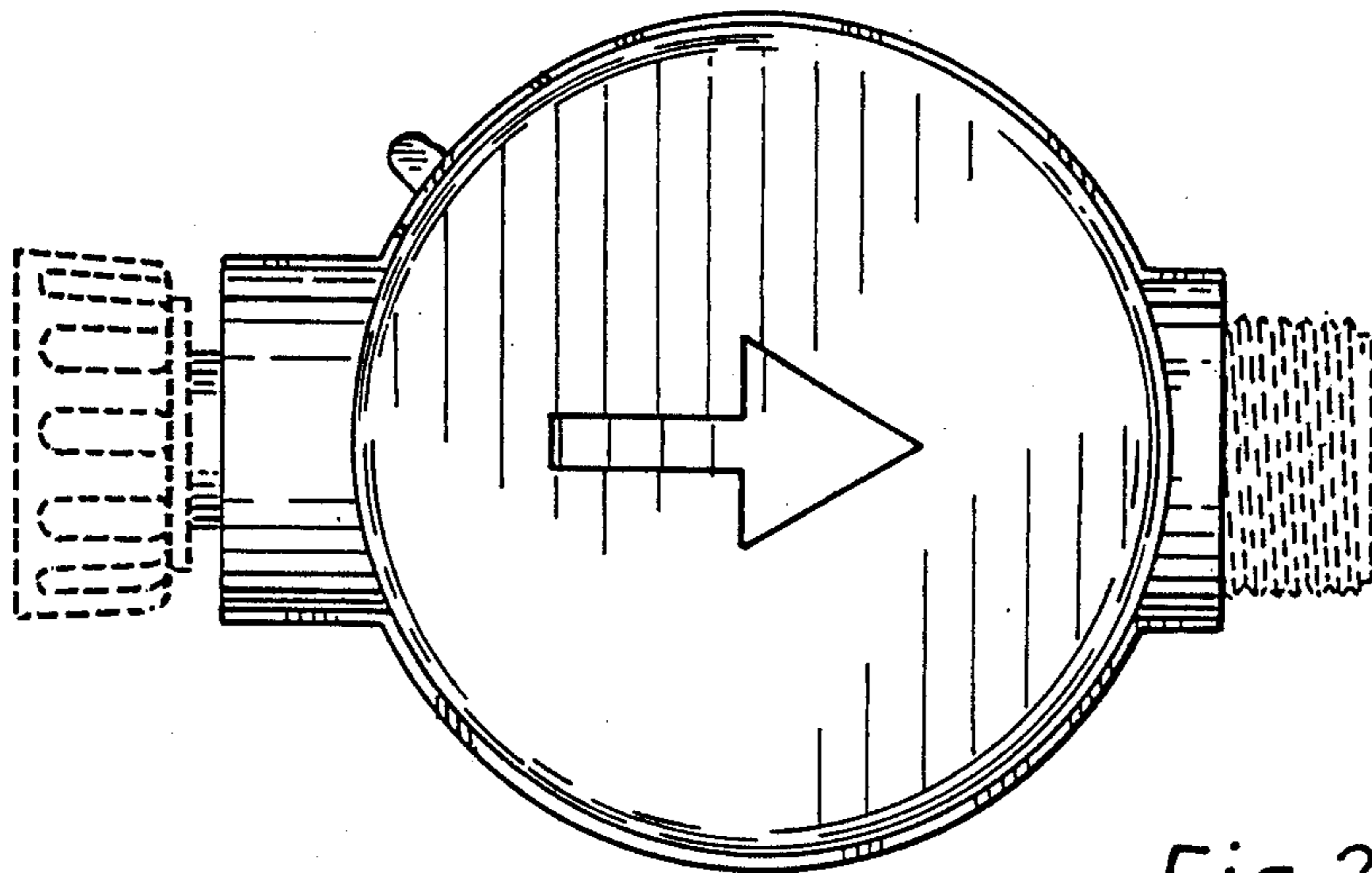


Fig.2

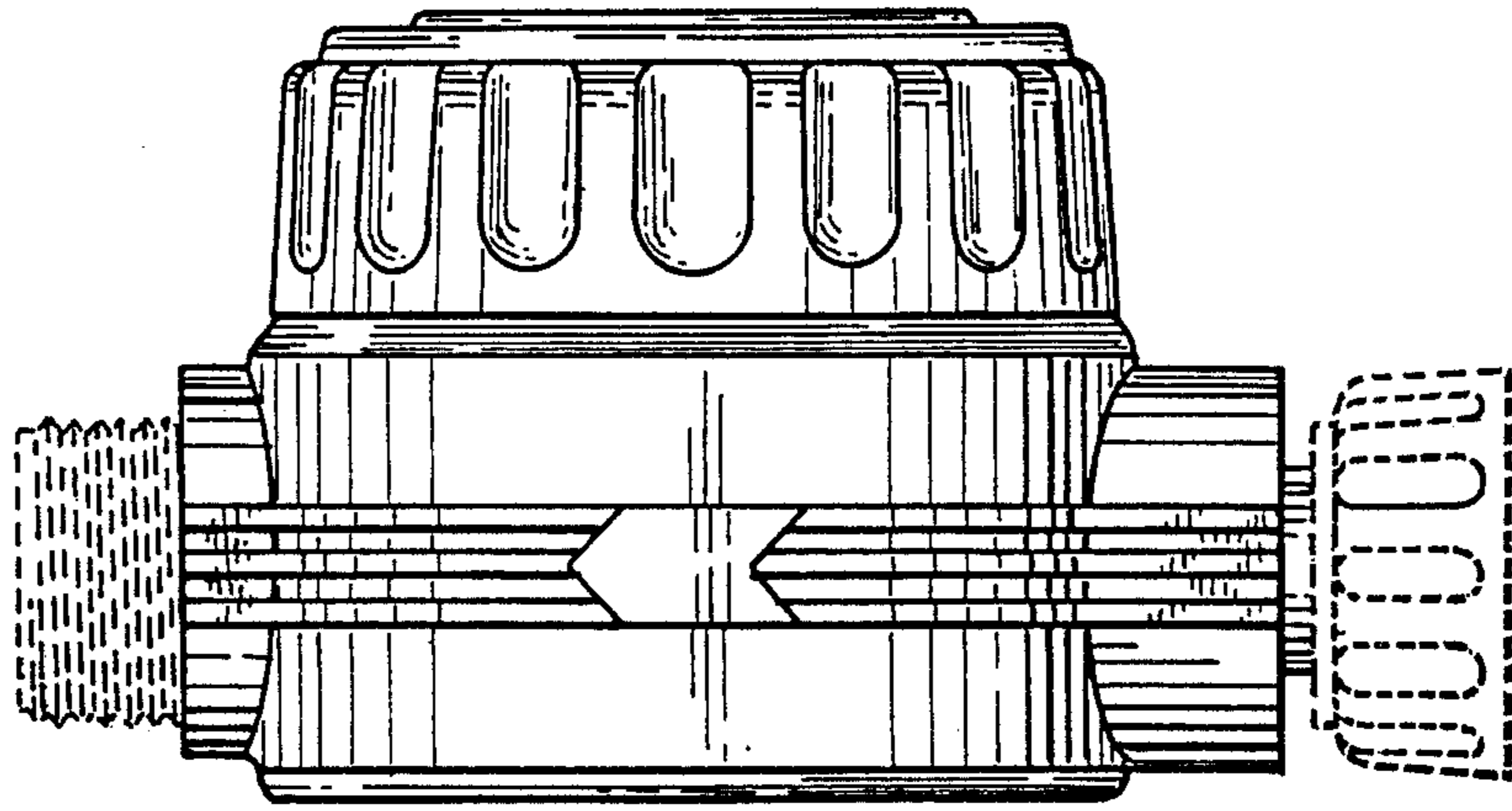


Fig. 3

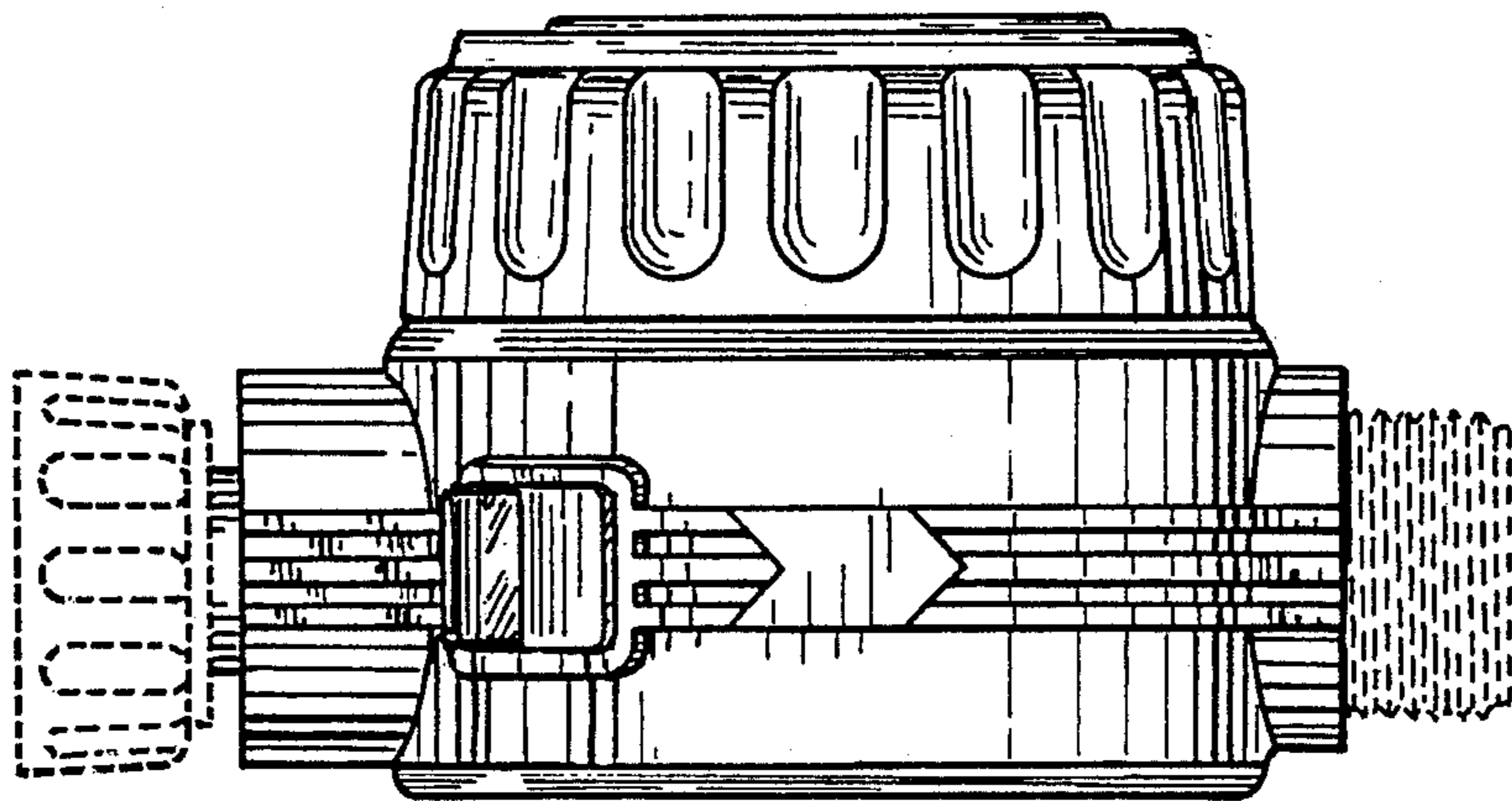


Fig. 4

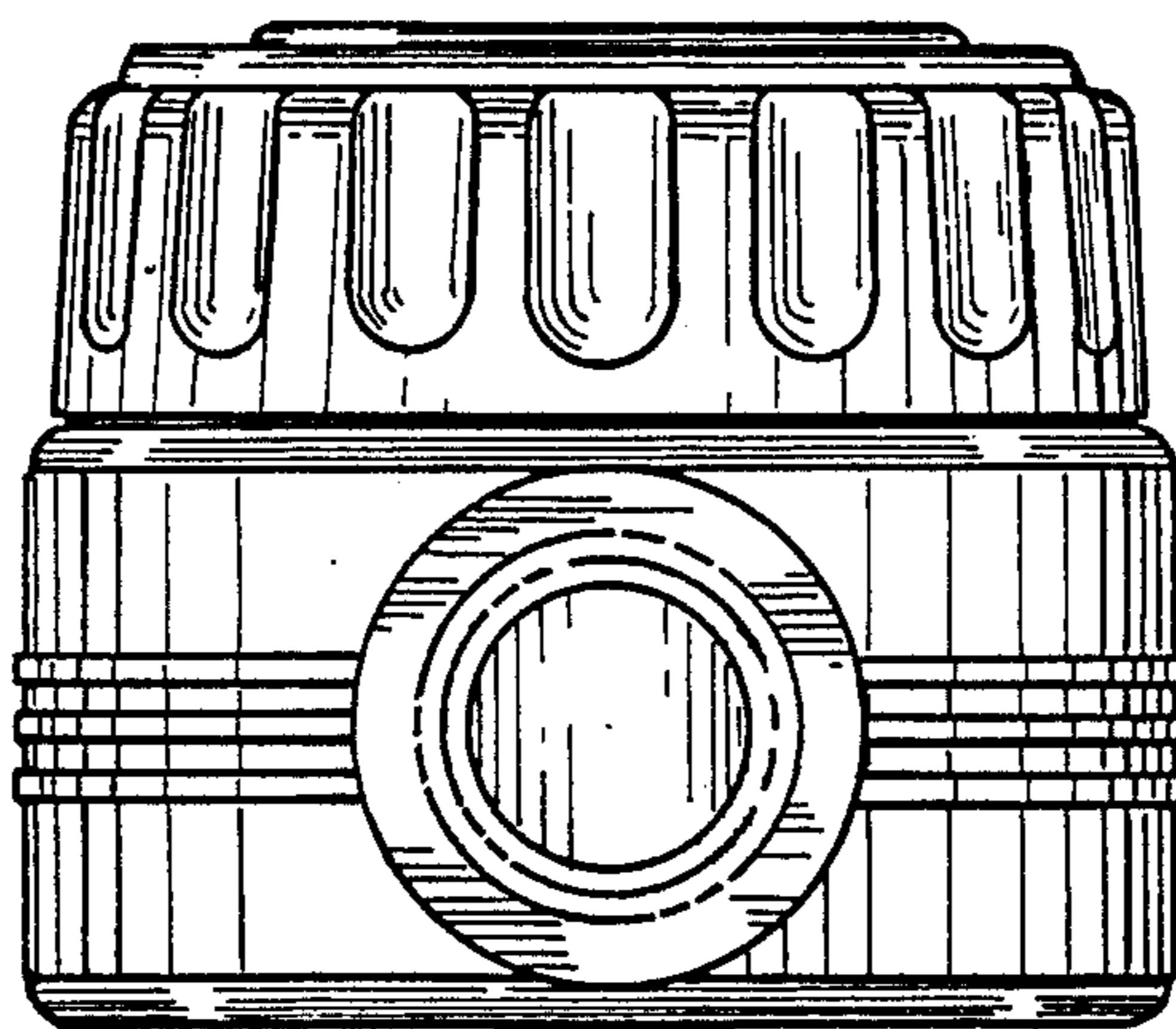


Fig. 5

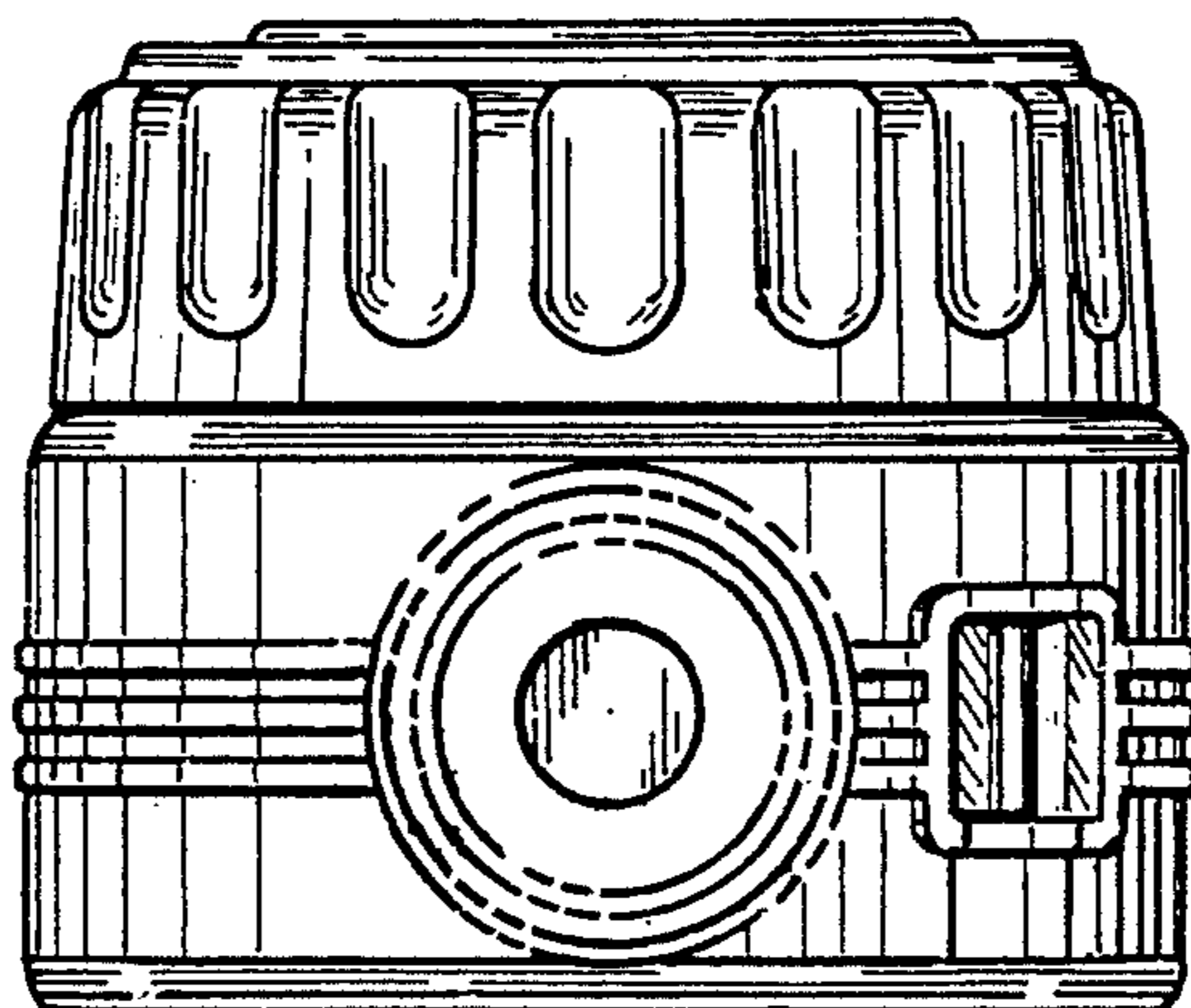


Fig. 6