

[54] AIR PUMP

[76] Inventor: Masahiro Furusawa, 12-3, Ryouke 1-chome, Urawashi, Saitama-ken, Japan

[**] Term: 14 Years

[21] Appl. No.: 156,200

[22] Filed: Feb. 11, 1988

[30] Foreign Application Priority Data

Aug. 18, 1987 [JP]	Japan	62-33301
Aug. 18, 1987 [JP]	Japan	62-33308
Aug. 18, 1987 [JP]	Japan	62-33310
Aug. 18, 1987 [JP]	Japan	62-33311

[52] U.S. Cl. D23/231

[58] Field of Search D23/231-232; 152/415, 416, 426; 417/437, 536

[56] References Cited

U.S. PATENT DOCUMENTS

D. 132,533	5/1942	Kelleher et al.	D23/231
D. 295,660	5/1988	Chiarella	D23/231
1,078,320	11/1913	Stratton	D23/231 X

OTHER PUBLICATIONS

Bicycling Article, May 1987, p. 164, showing Vetta and Cycle Pro Pumps.

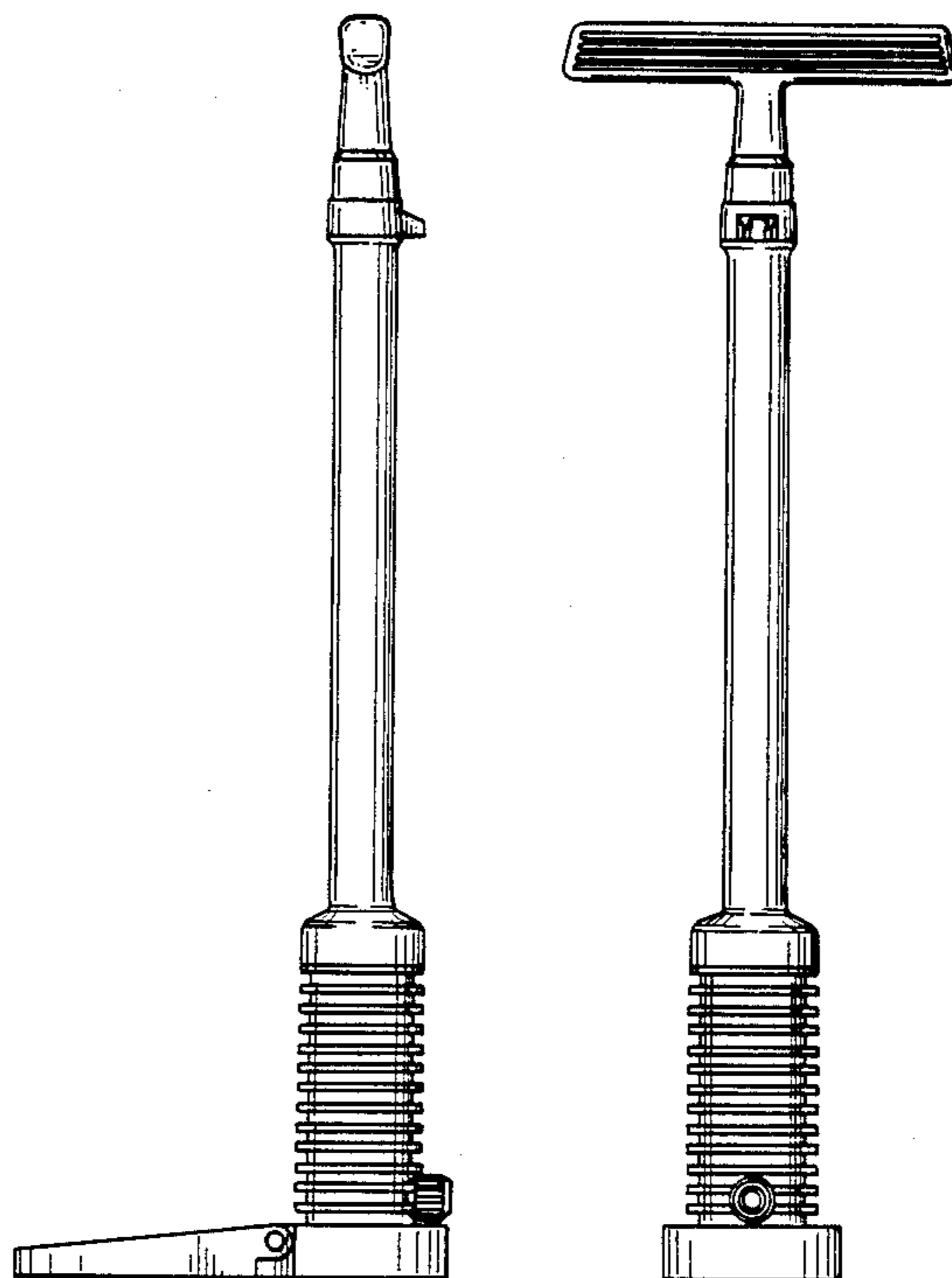
Primary Examiner—Susan J. Lucas
Assistant Examiner—M. H. Tung
Attorney, Agent, or Firm—Bacon & Thomas

[57] CLAIM

The ornamental design for an air pump, as shown and described.

DESCRIPTION

FIG. 1 is a left side elevational view of an air pump showing my new design;
 FIG. 2 is a front elevational view thereof, the opposite side being a mirror image of the side shown;
 FIG. 3 is a right side elevational view thereof;
 FIG. 4 is a top plan view thereof;
 FIG. 5 is a bottom plan view thereof;
 FIG. 6 is a left side elevational view of a second embodiment of the air pump illustrated in FIG. 1;
 FIG. 7 is a front elevational view thereof, the opposite side being a mirror image of the side shown;
 FIG. 8 is a right side elevational view thereof;
 FIG. 9 is a top plan view thereof;
 FIG. 10 is a bottom plan view thereof;
 FIG. 11 is a left side elevational view of a third embodiment of the air pump illustrated in FIG. 1;
 FIG. 12 is a front elevational view thereof, the opposite side being a mirror image of the side shown;
 FIG. 13 is a right side elevational view thereof;
 FIG. 14 is a top plan view thereof;
 FIG. 15 is a bottom plan view thereof;
 FIG. 16 is a left side elevational view of a fourth embodiment of the air pump illustrated in FIG. 1;
 FIG. 17 is a front elevational view thereof, the opposite side being a mirror image of the side shown;
 FIG. 18 is a right side elevational view thereof;
 FIG. 19 is a top plan view thereof;
 FIG. 20 is a bottom plan view thereof.



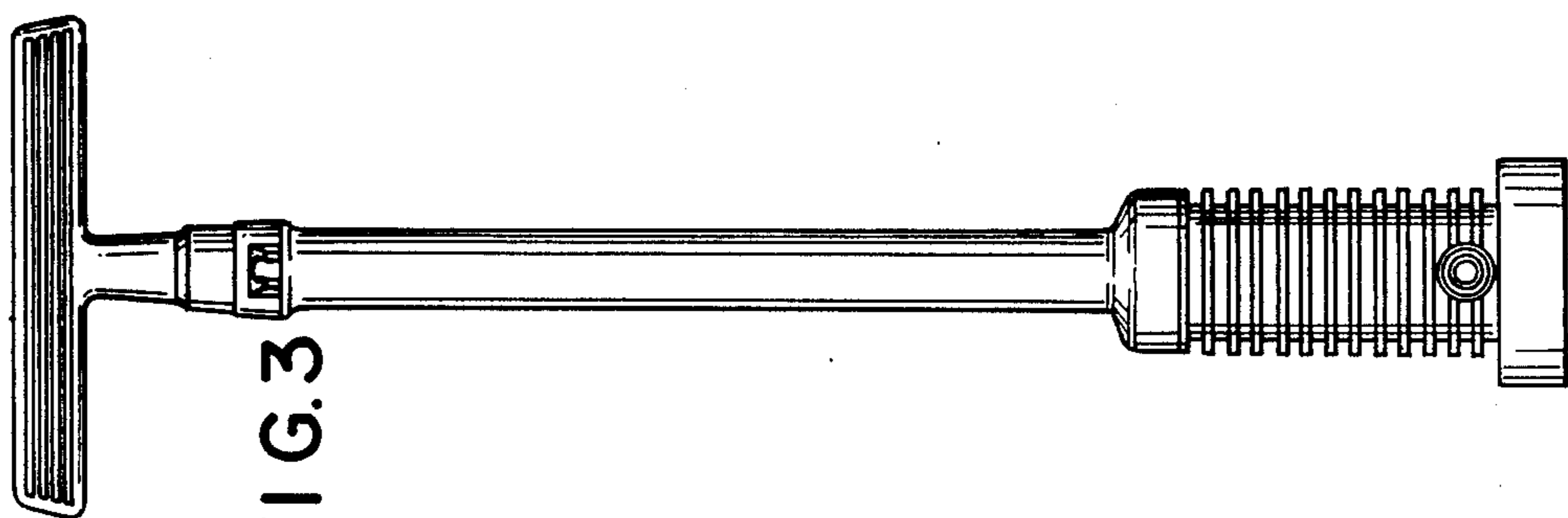


FIG. 1

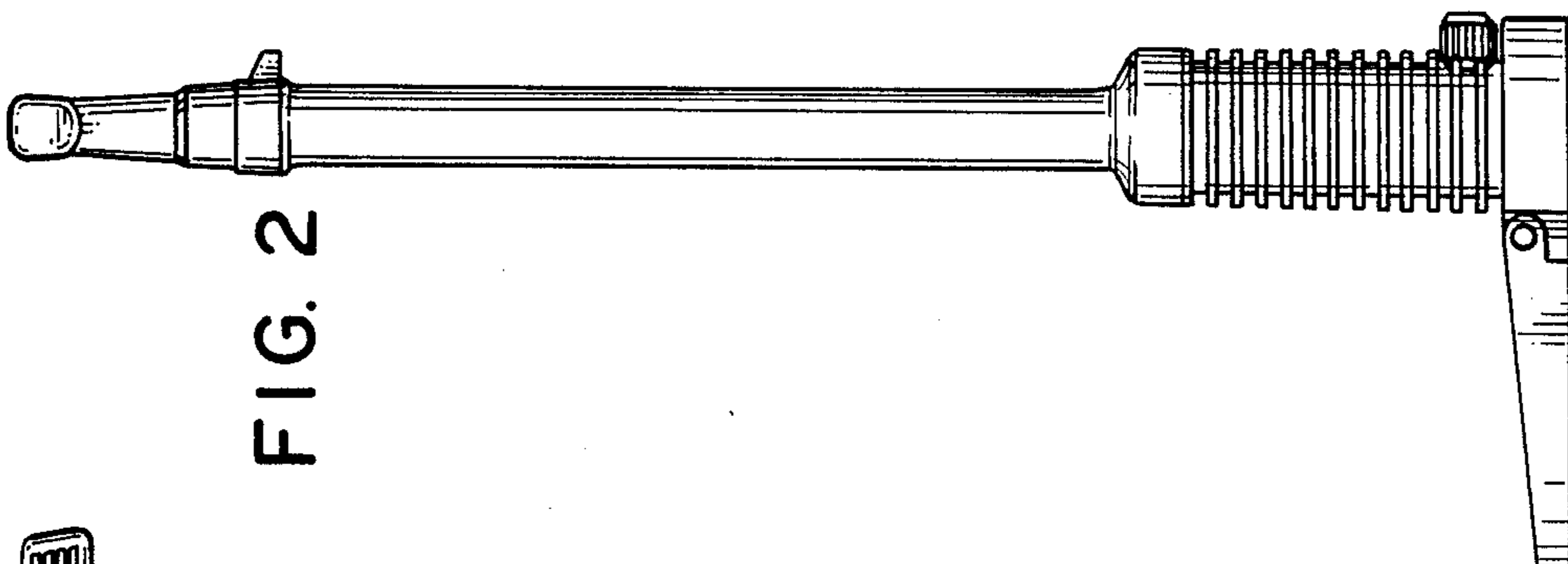


FIG. 2

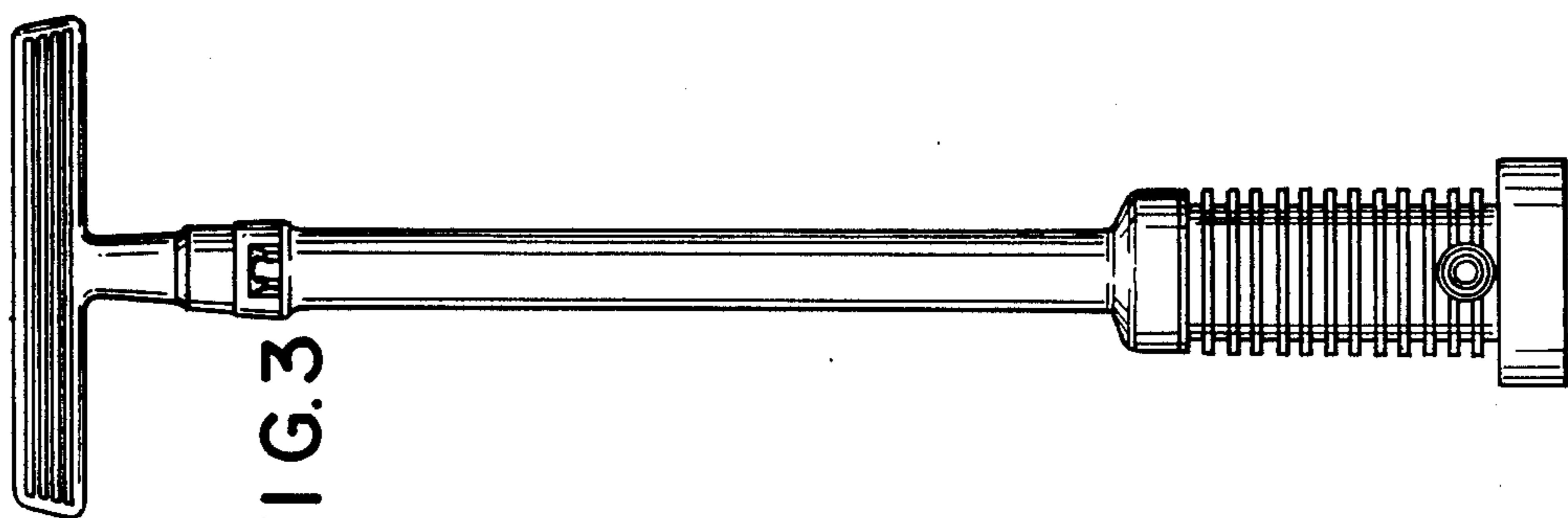


FIG. 3

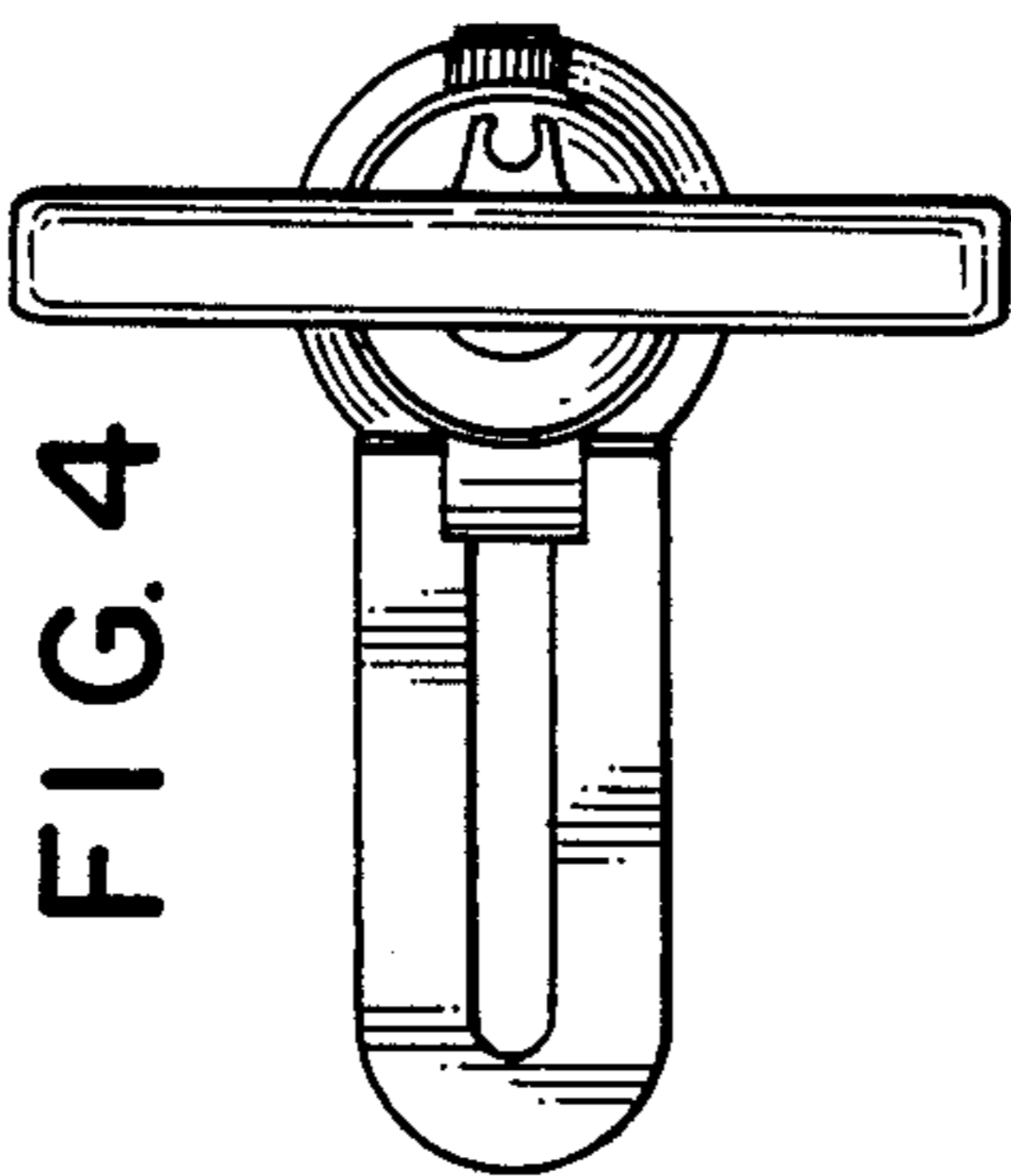


FIG. 4

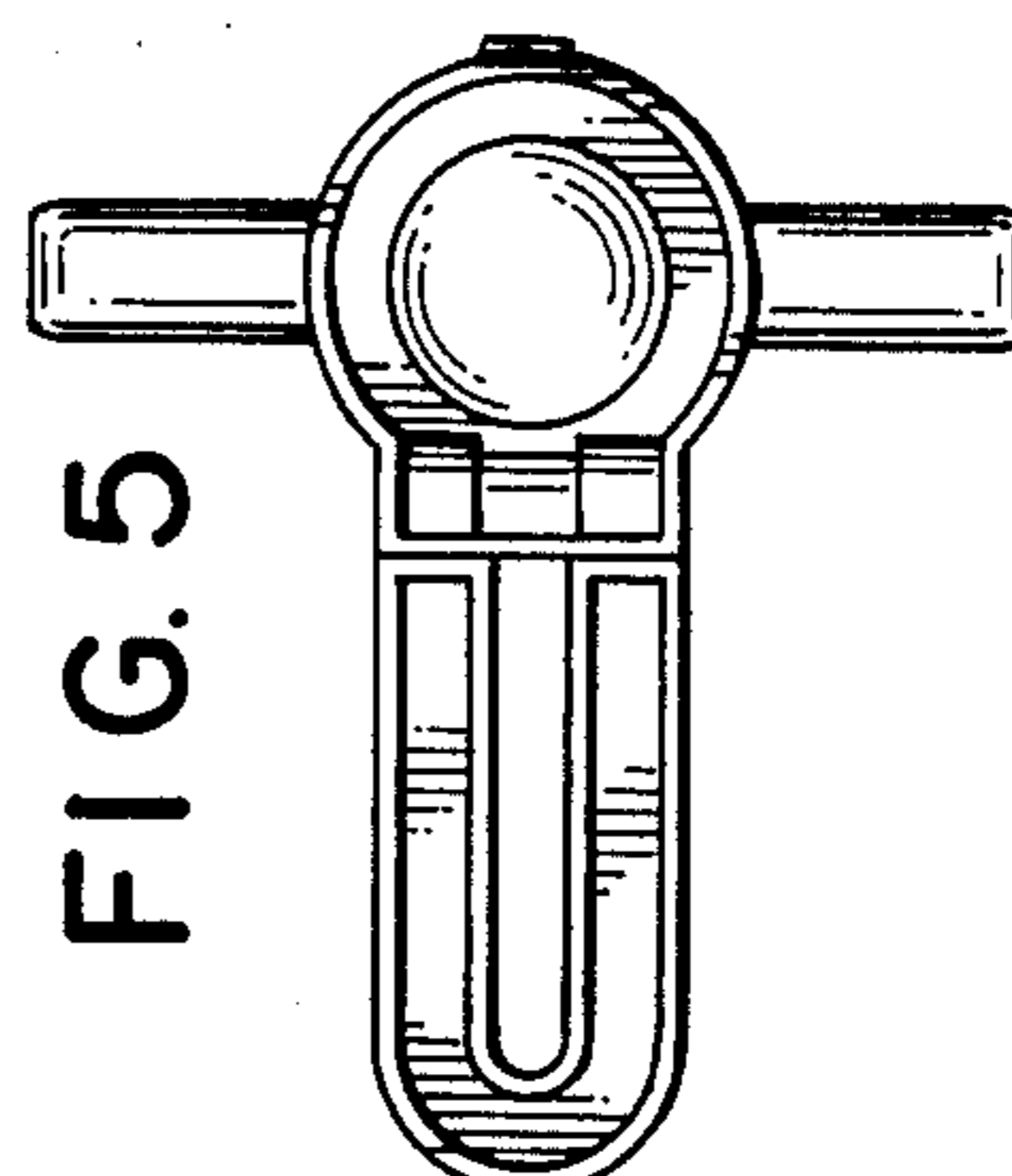
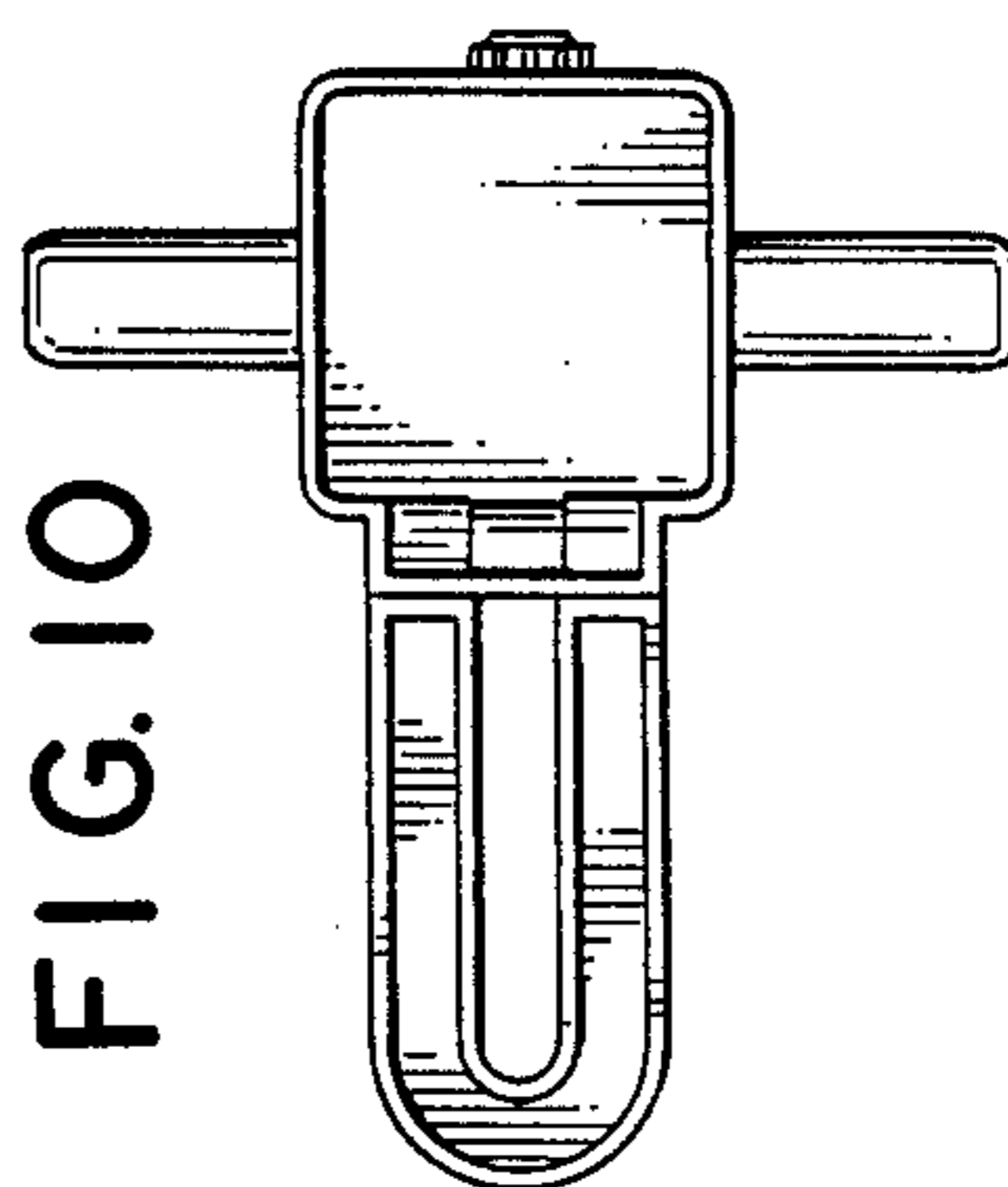
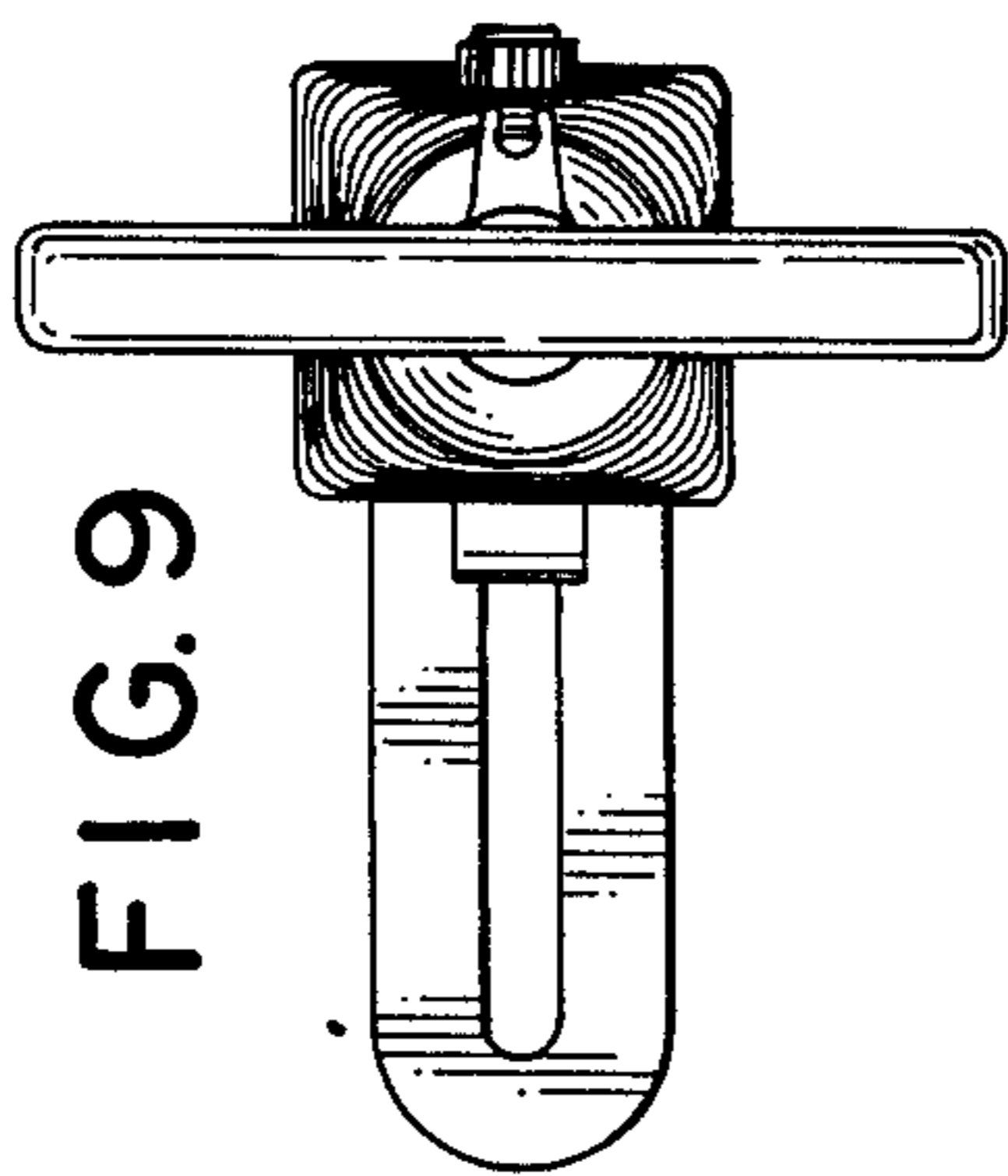
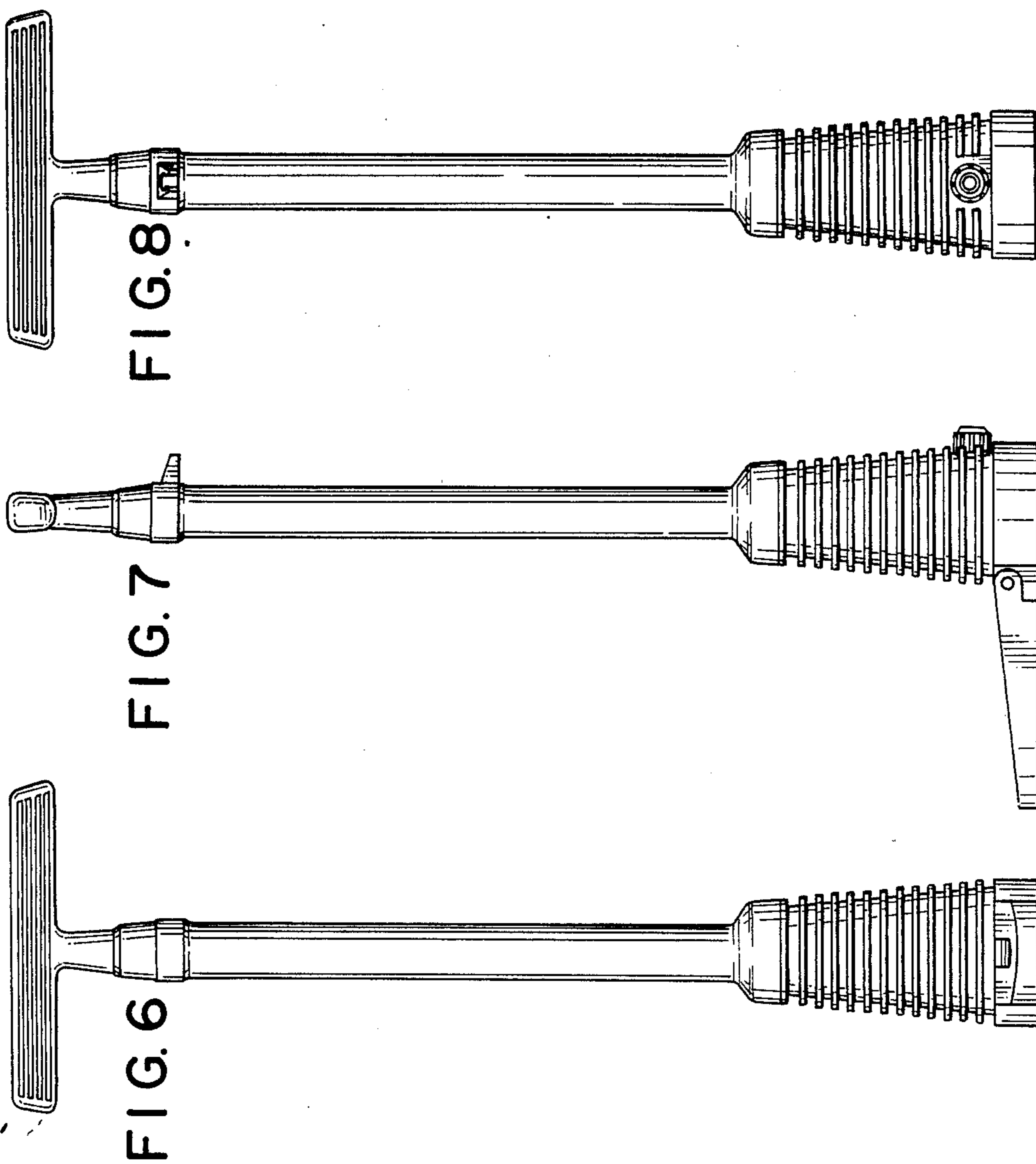


FIG. 5



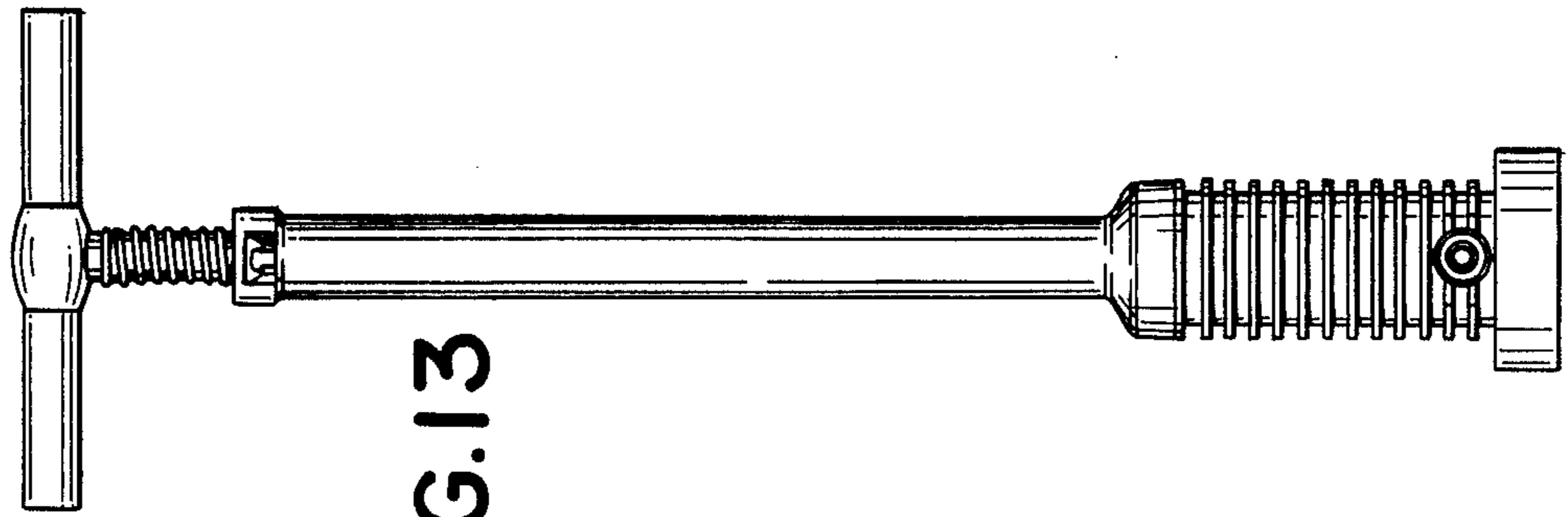


FIG. 11

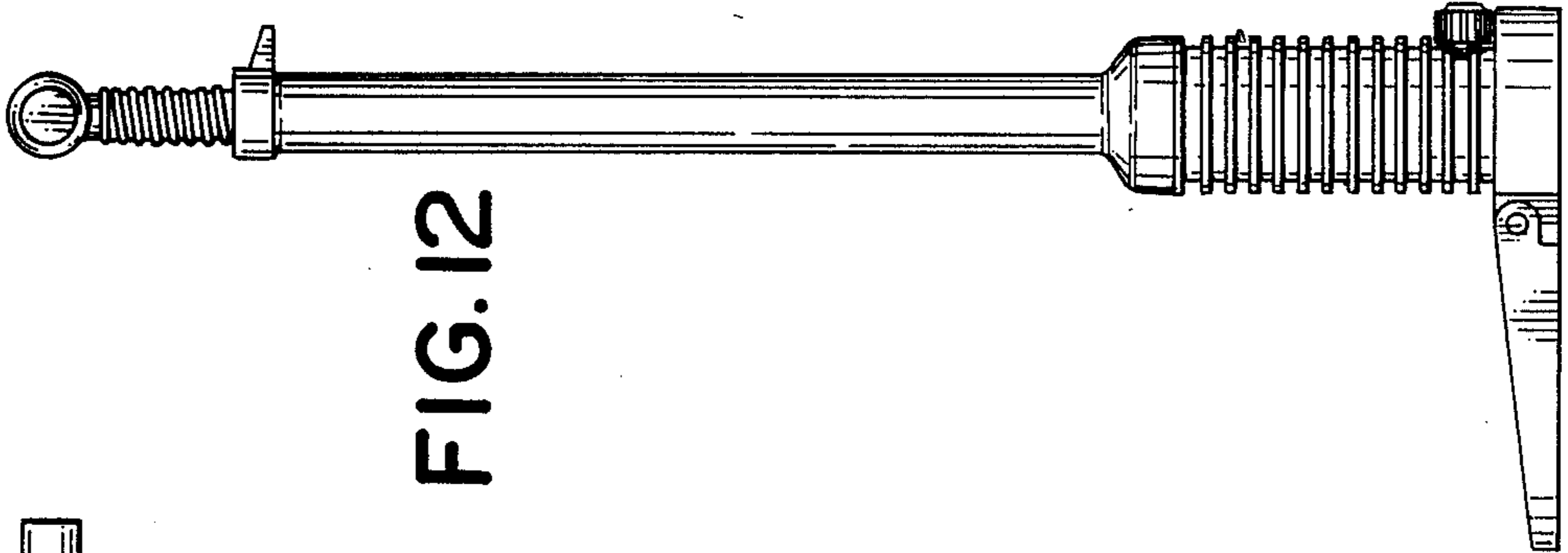


FIG. 12

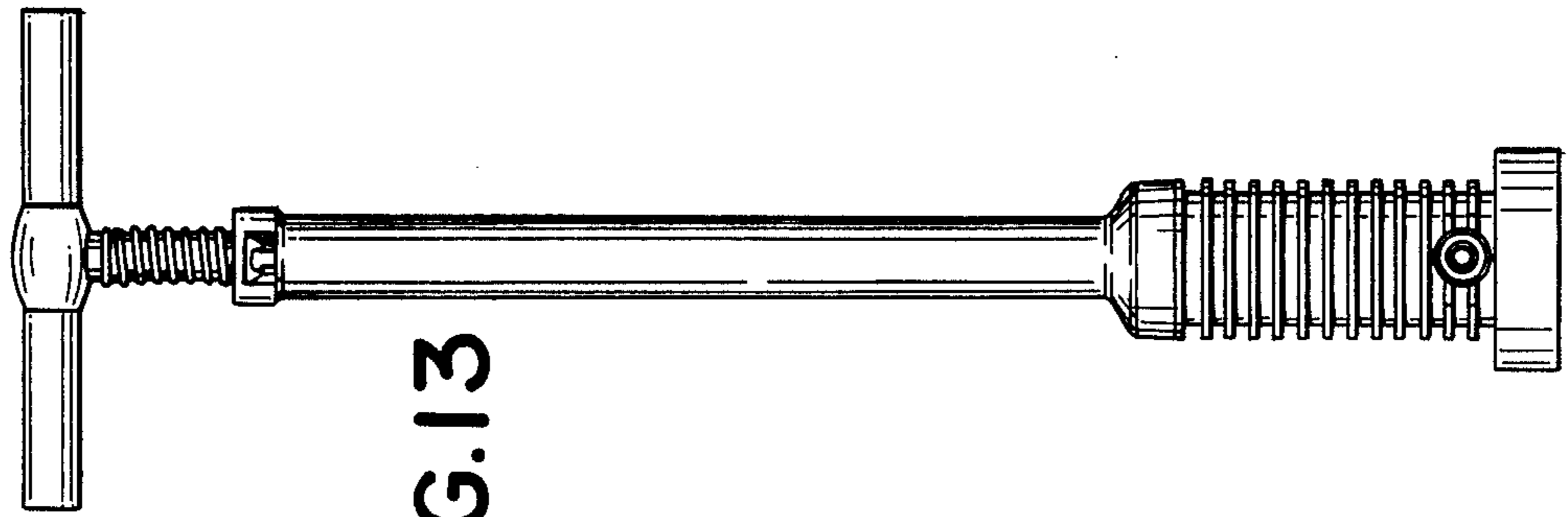


FIG. 13

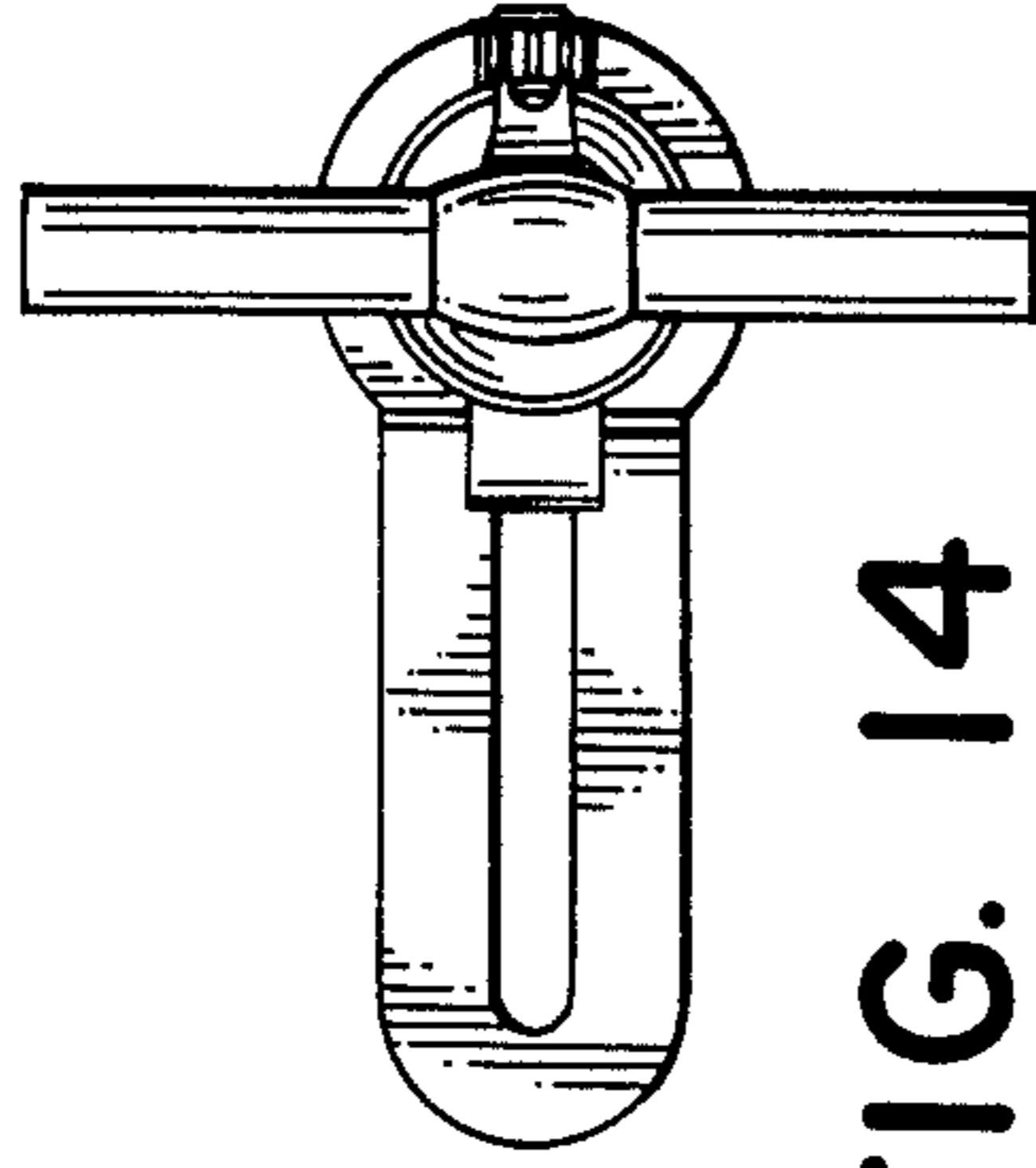


FIG. 14

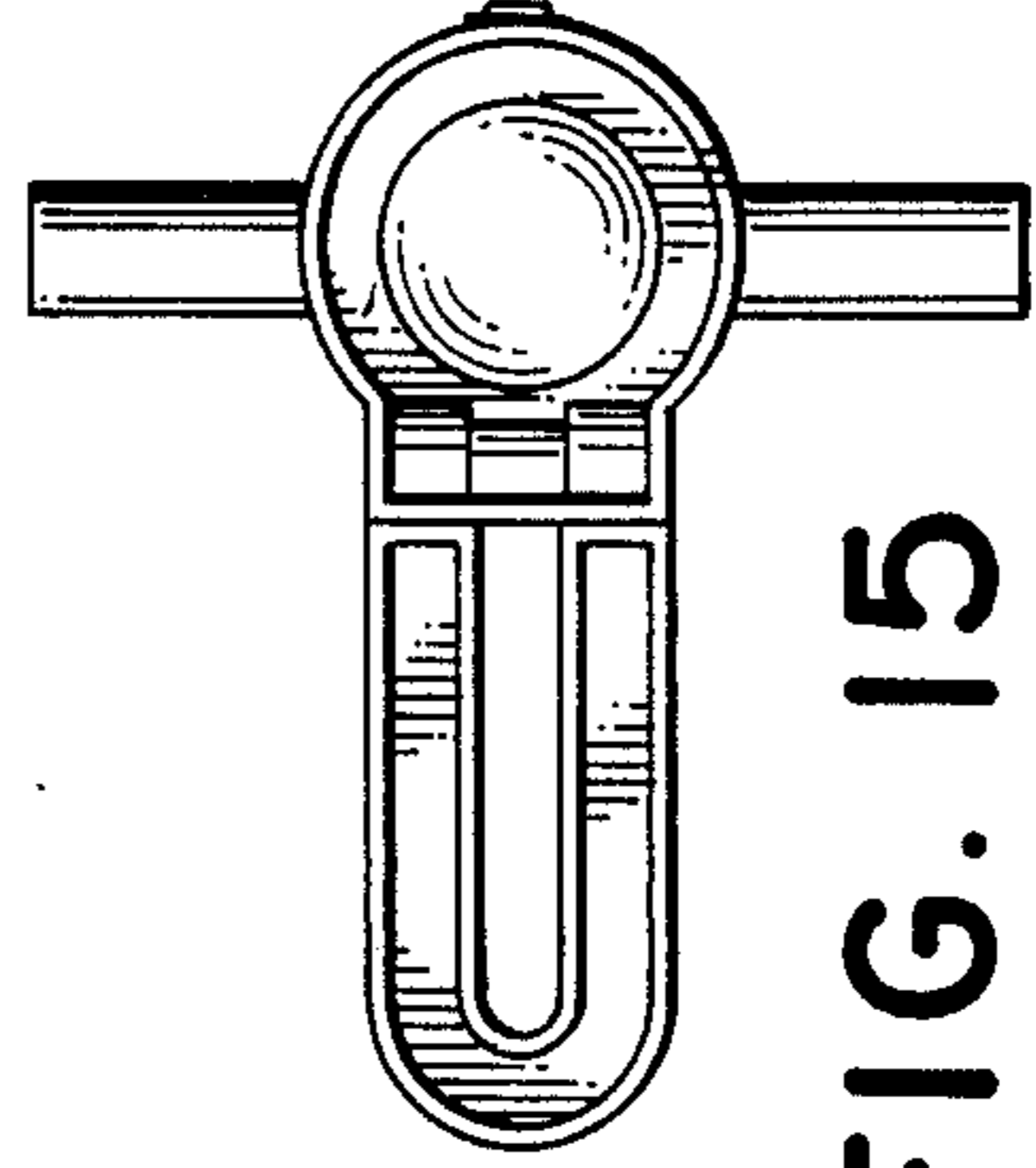


FIG. 15

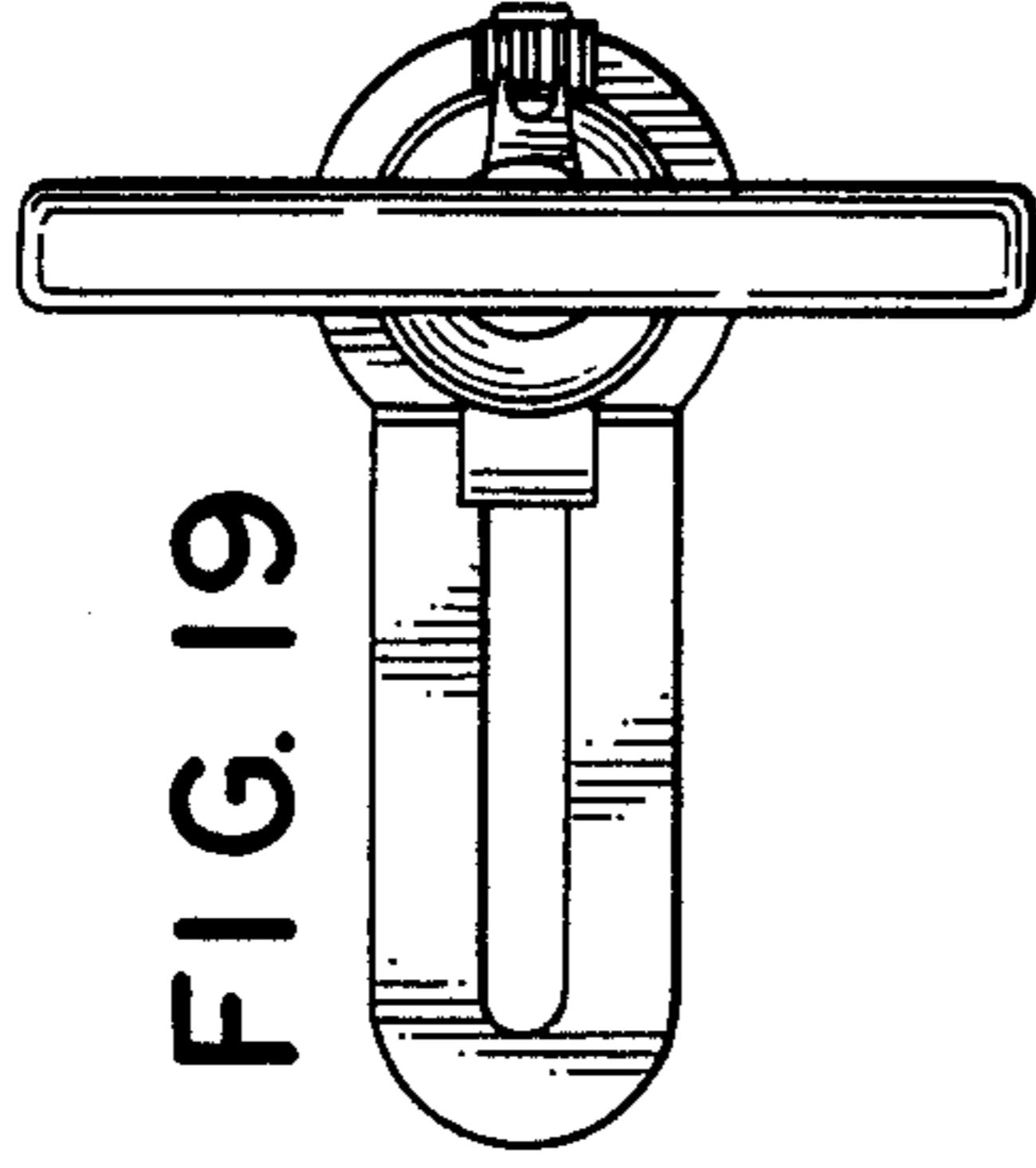


FIG. 19

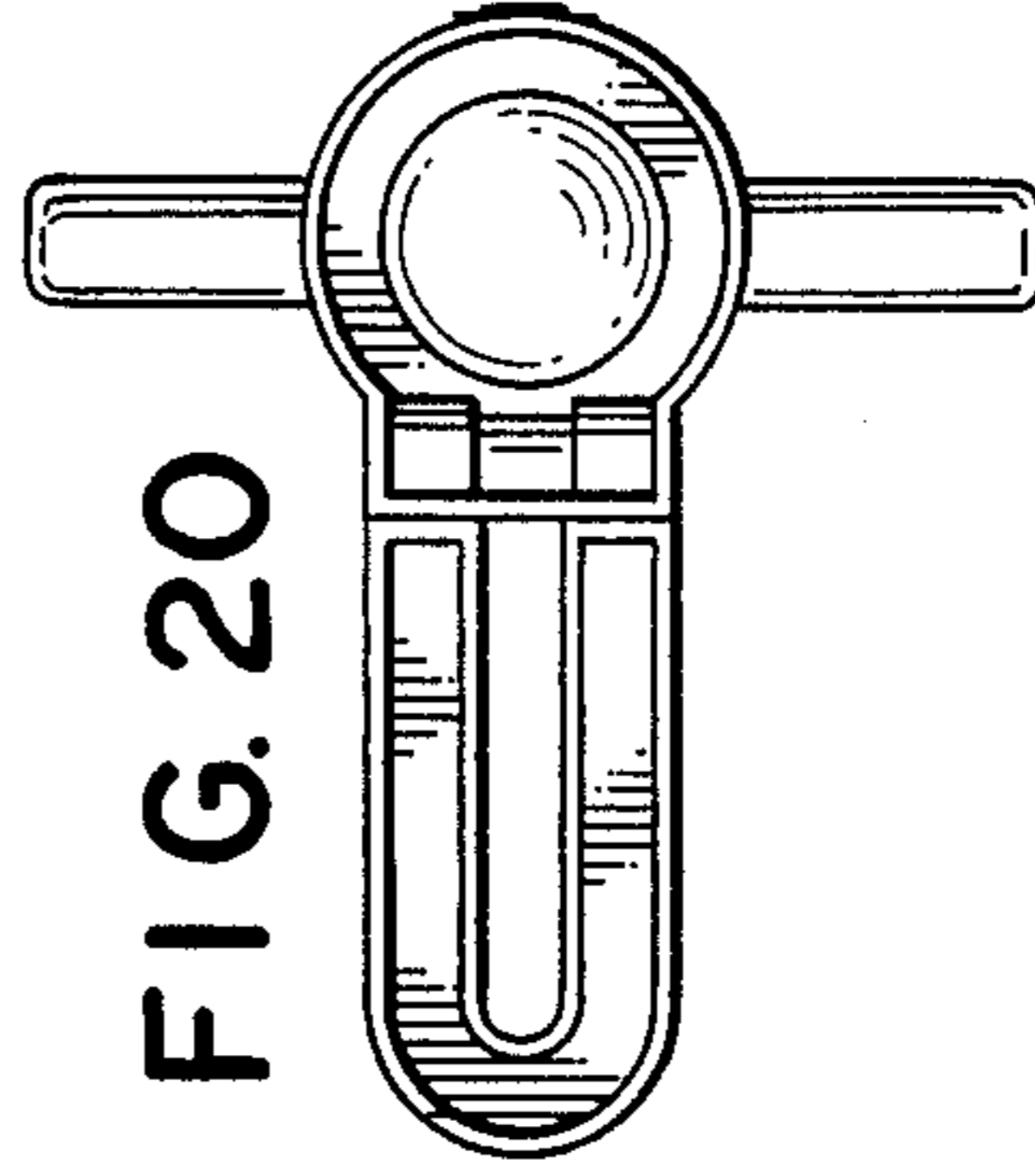


FIG. 20

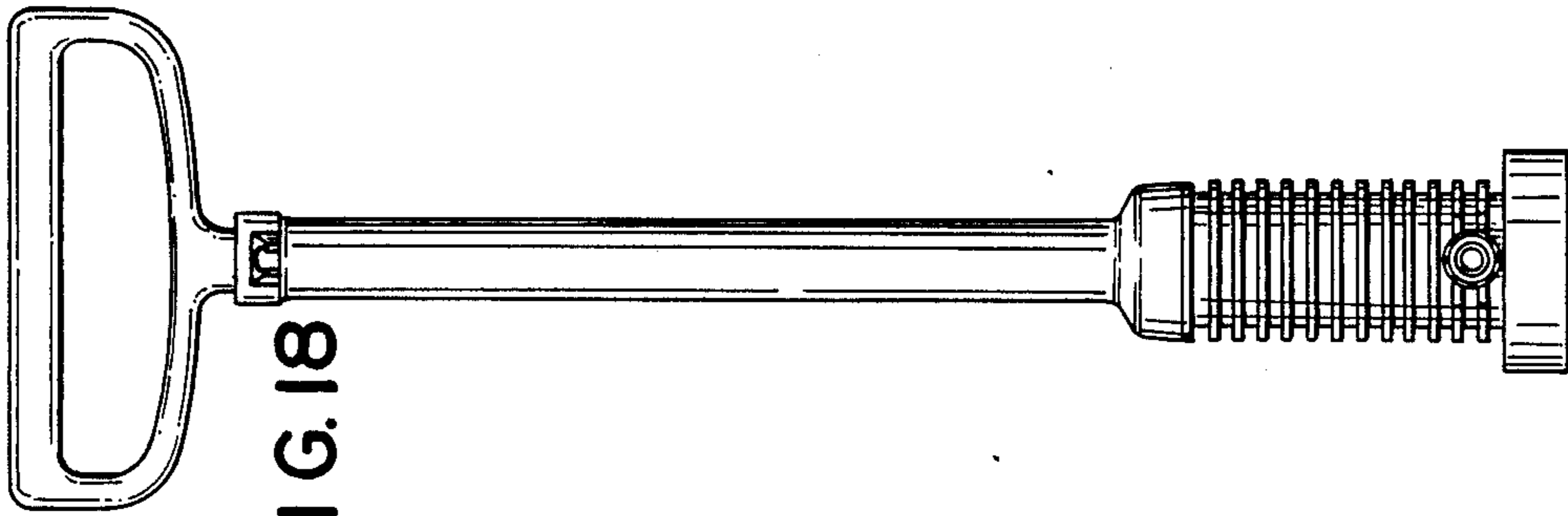


FIG. 18

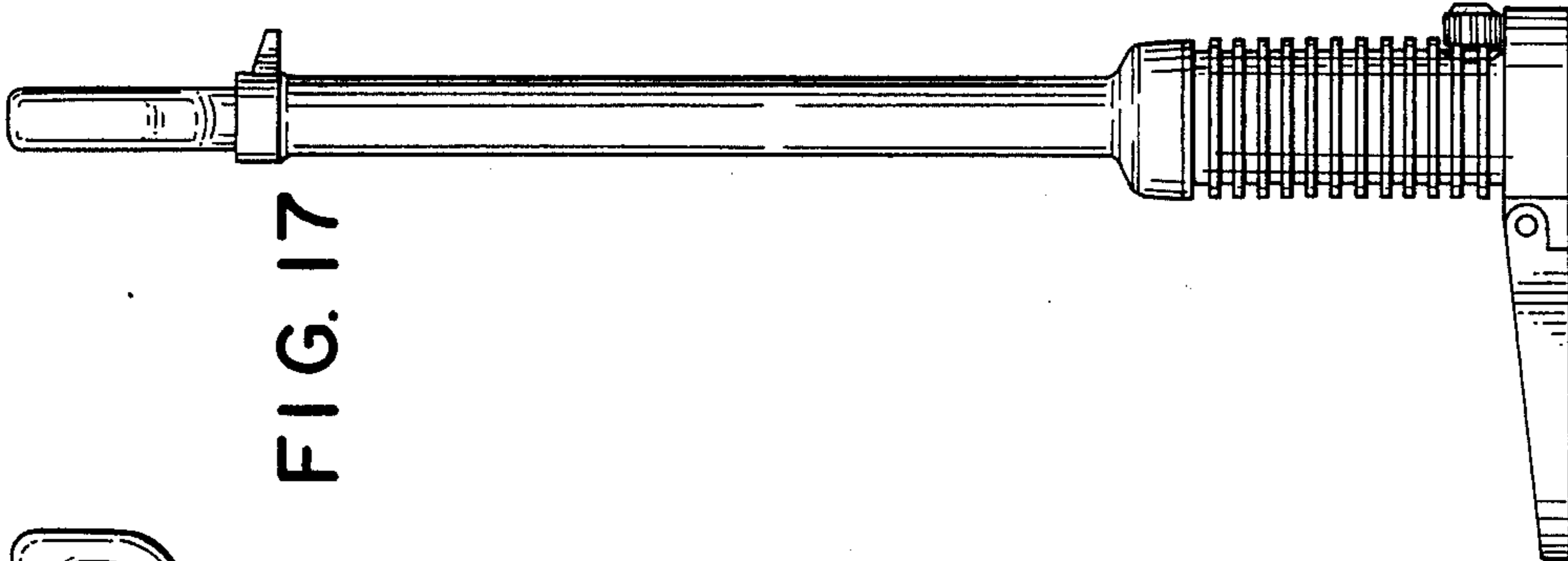


FIG. 17

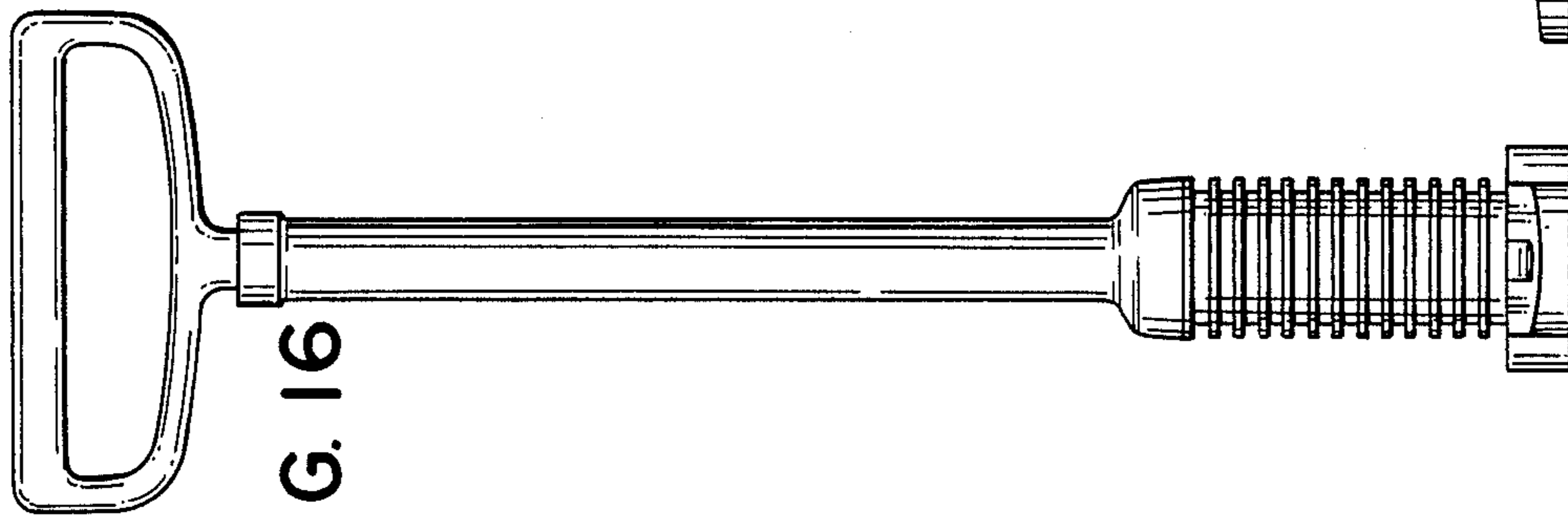


FIG. 16