

[54] FISHING REEL

[56] References Cited

[75] Inventors: Etsuo Hiraishi; Teruhisa Numata,
both of Tokyo, Japan

U.S. PATENT DOCUMENTS

- D. 273,219 3/1984 Inuma D22/141
- D. 273,973 5/1984 Mack D22/141
- D. 294,727 3/1988 Sakamoto et al. D22/141

[73] Assignee: Ryobi Ltd., Hiroshima, Japan

Primary Examiner—A. Hugo Word
Assistant Examiner—Doris V. Coles
Attorney, Agent, or Firm—Sughrue, Mion, Zinn,
Macpeak & Seas

[**] Term: 14 Years

[57] CLAIM

[21] Appl. No.: 141,658

The ornamental design for a fishing reel, as shown.

[22] Filed: Jan. 7, 1988

DESCRIPTION

[30] Foreign Application Priority Data

Jul. 21, 1987 [JP] Japan 62-29654

[52] U.S. Cl. D22/141

[58] Field of Search D22/140, 141; 242/230,
242/231, 232

FIG. 1 is a left side elevational view of a fishing reel showing our new design;
FIG. 2 is a front elevational view thereof;
FIG. 3 is a right side elevational view thereof;
FIG. 4 is a top plan view thereof;
FIG. 5 is a rear elevational view thereof; and
FIG. 6 is a bottom plan view thereof.

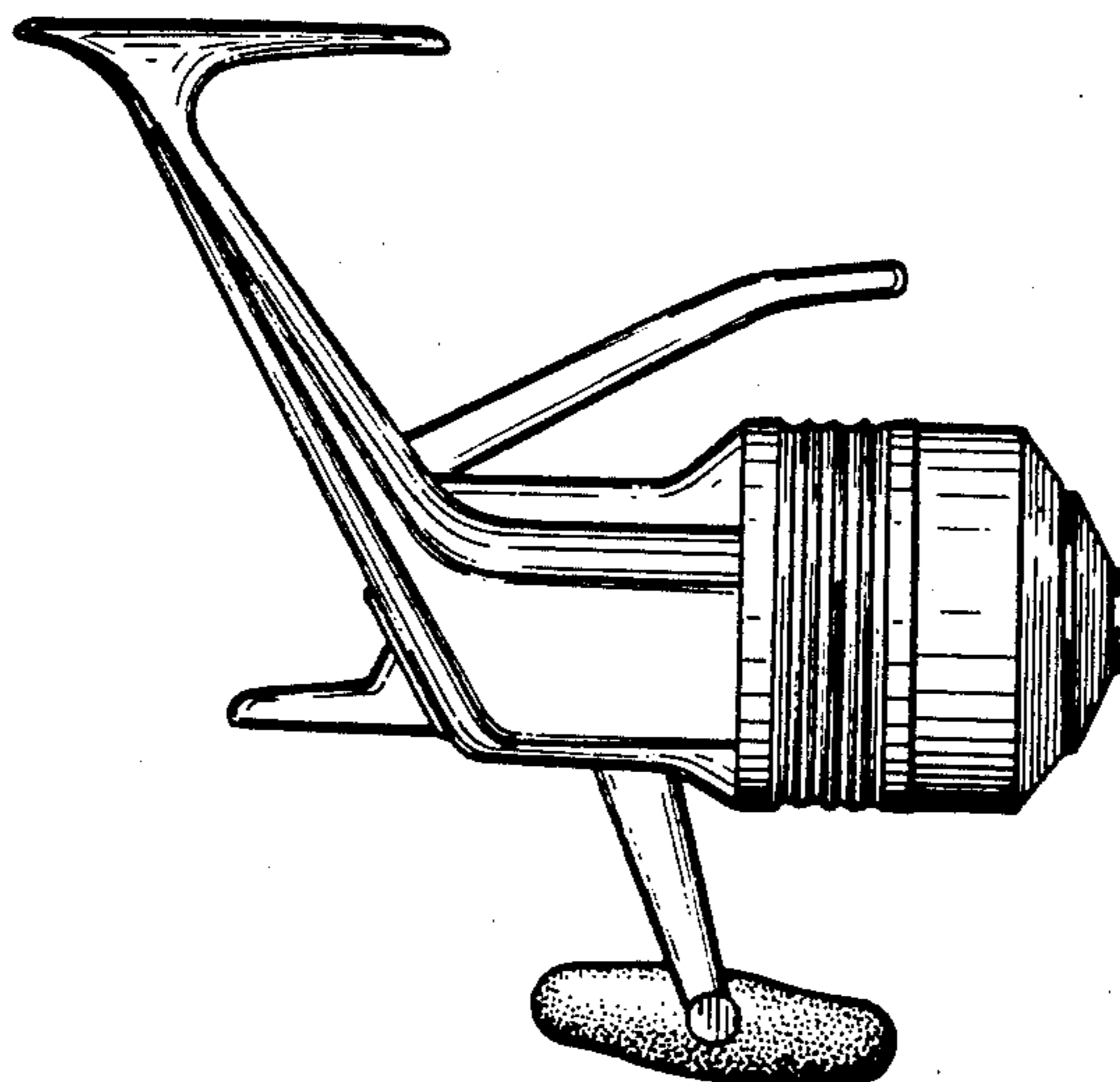


FIG. 1

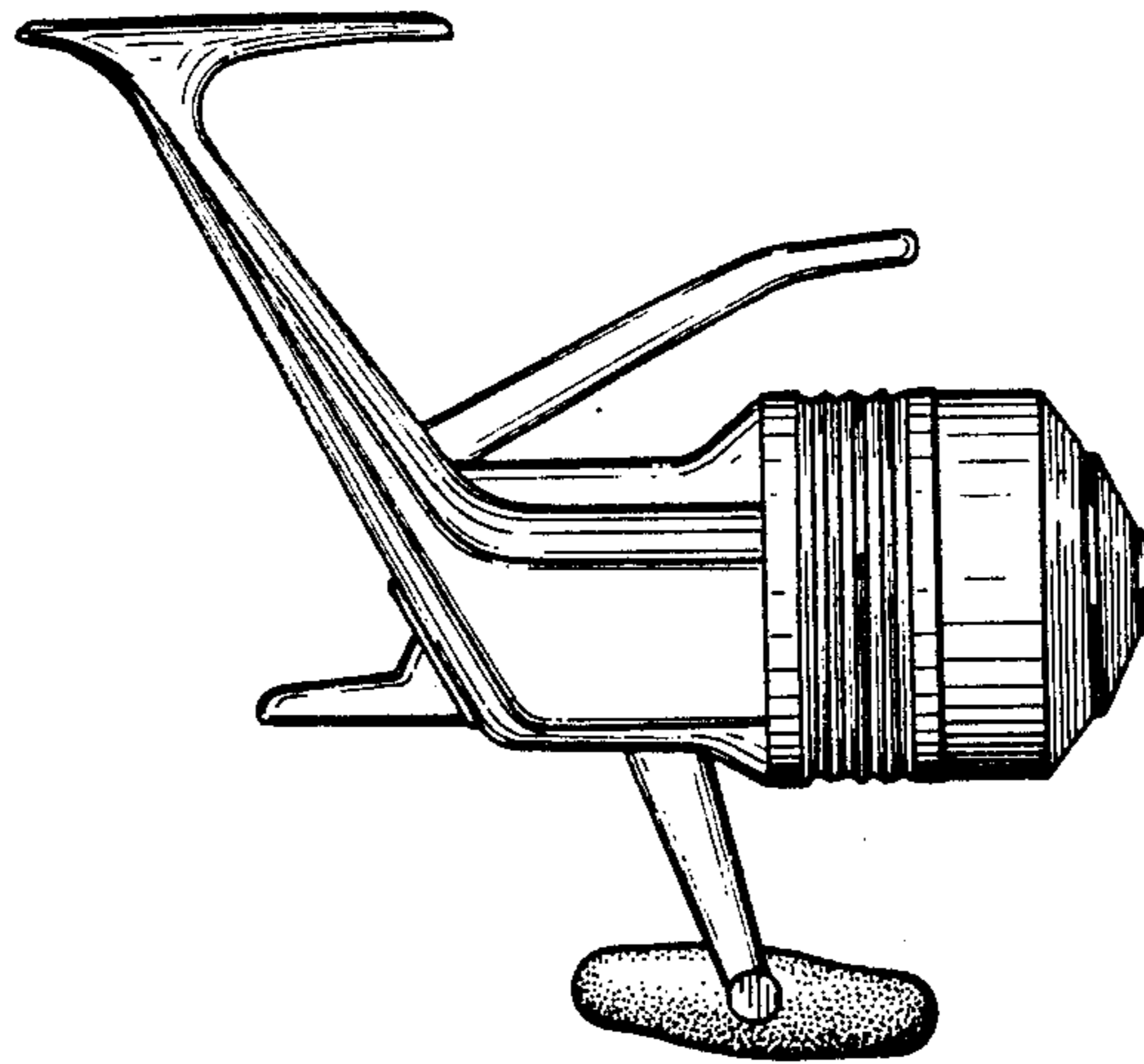


FIG. 2

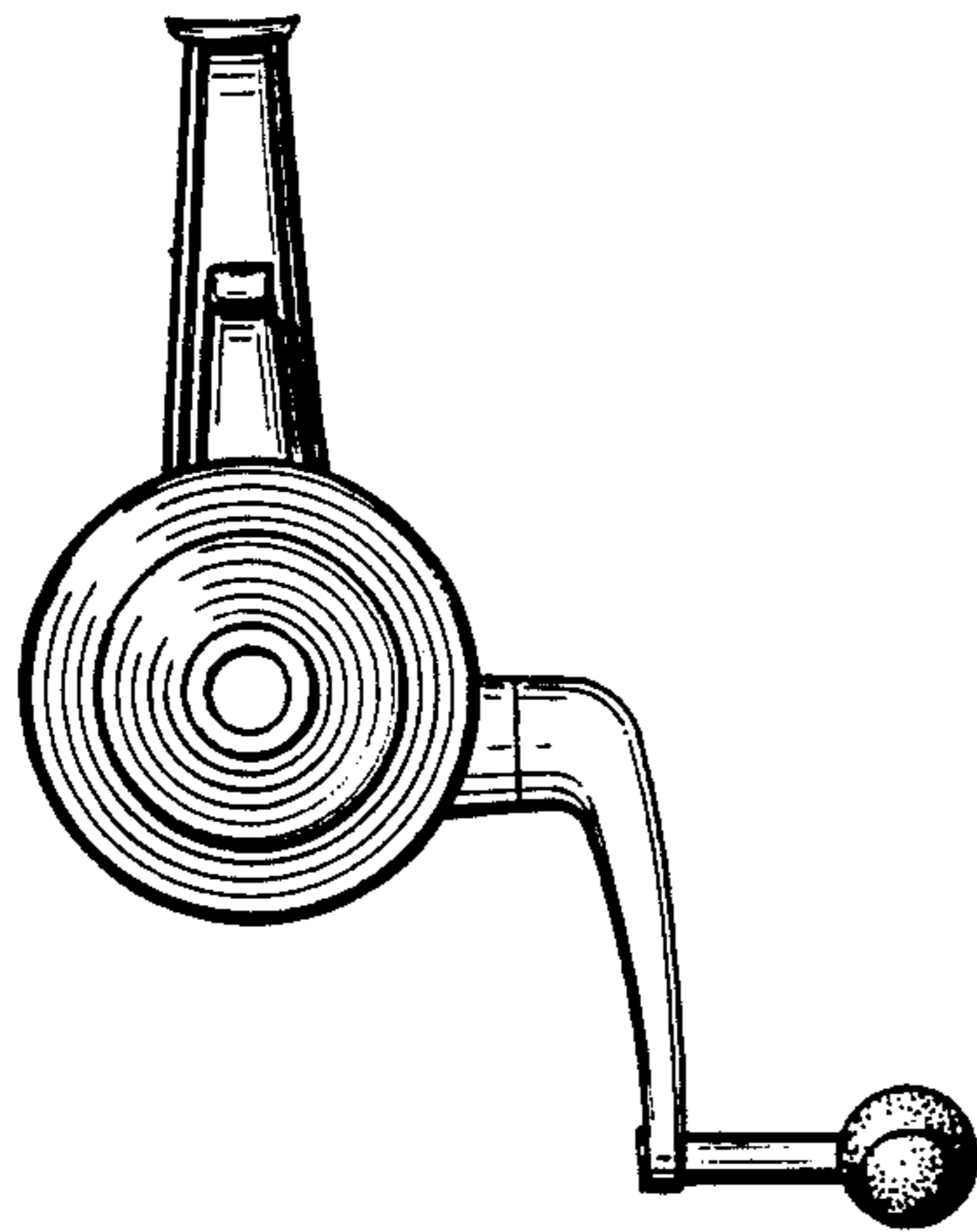


FIG. 3

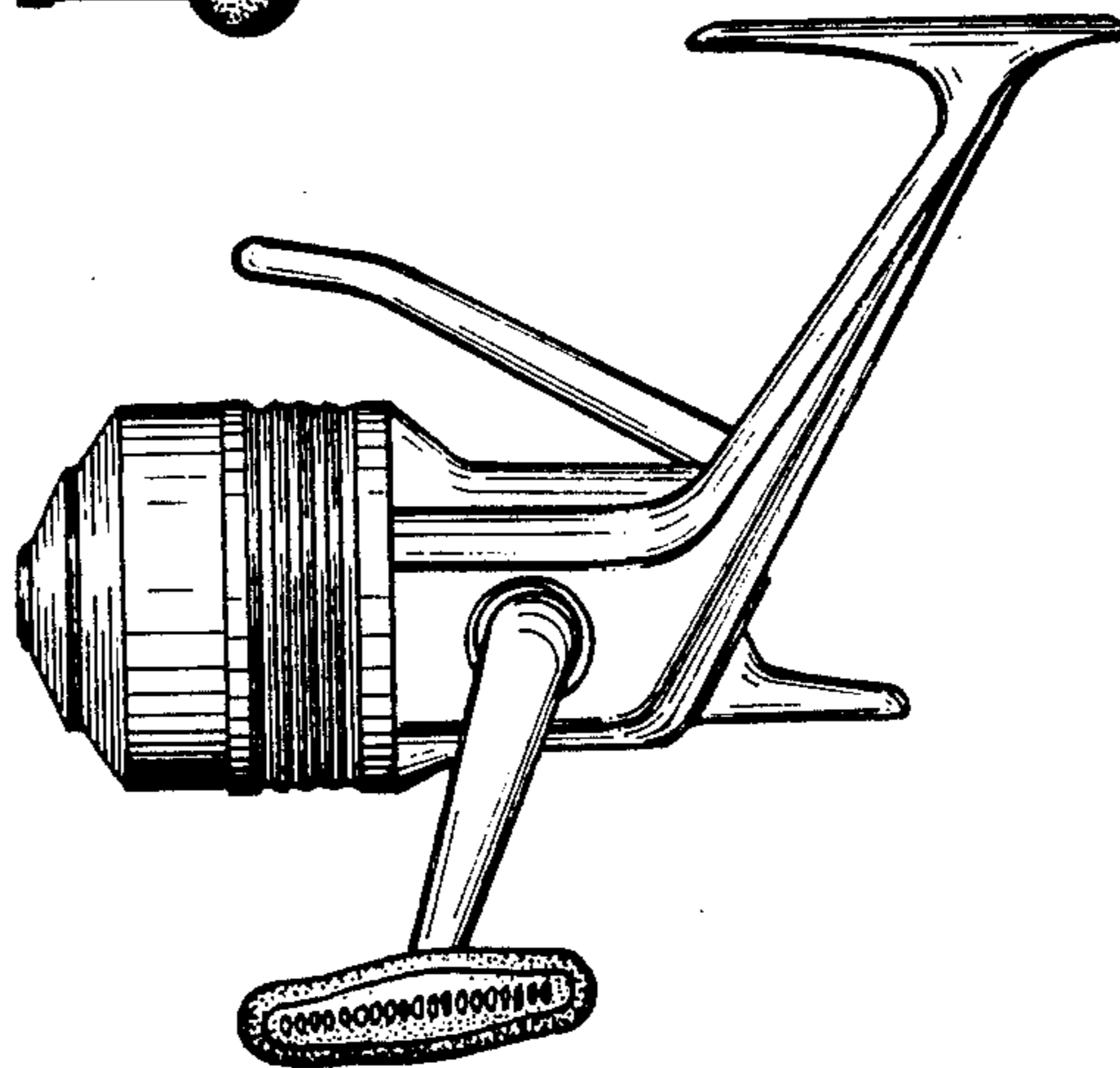


FIG. 4

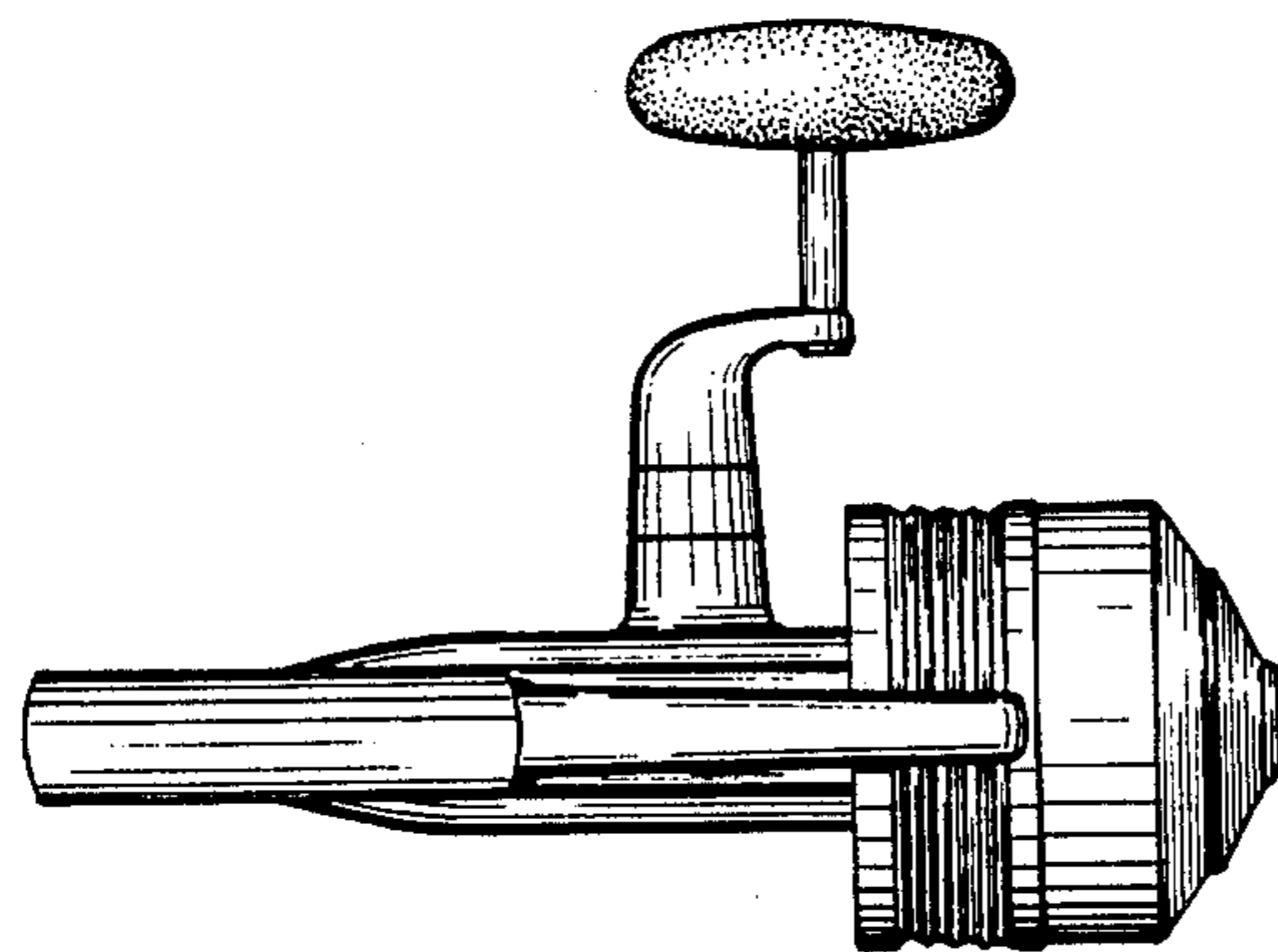


FIG. 5

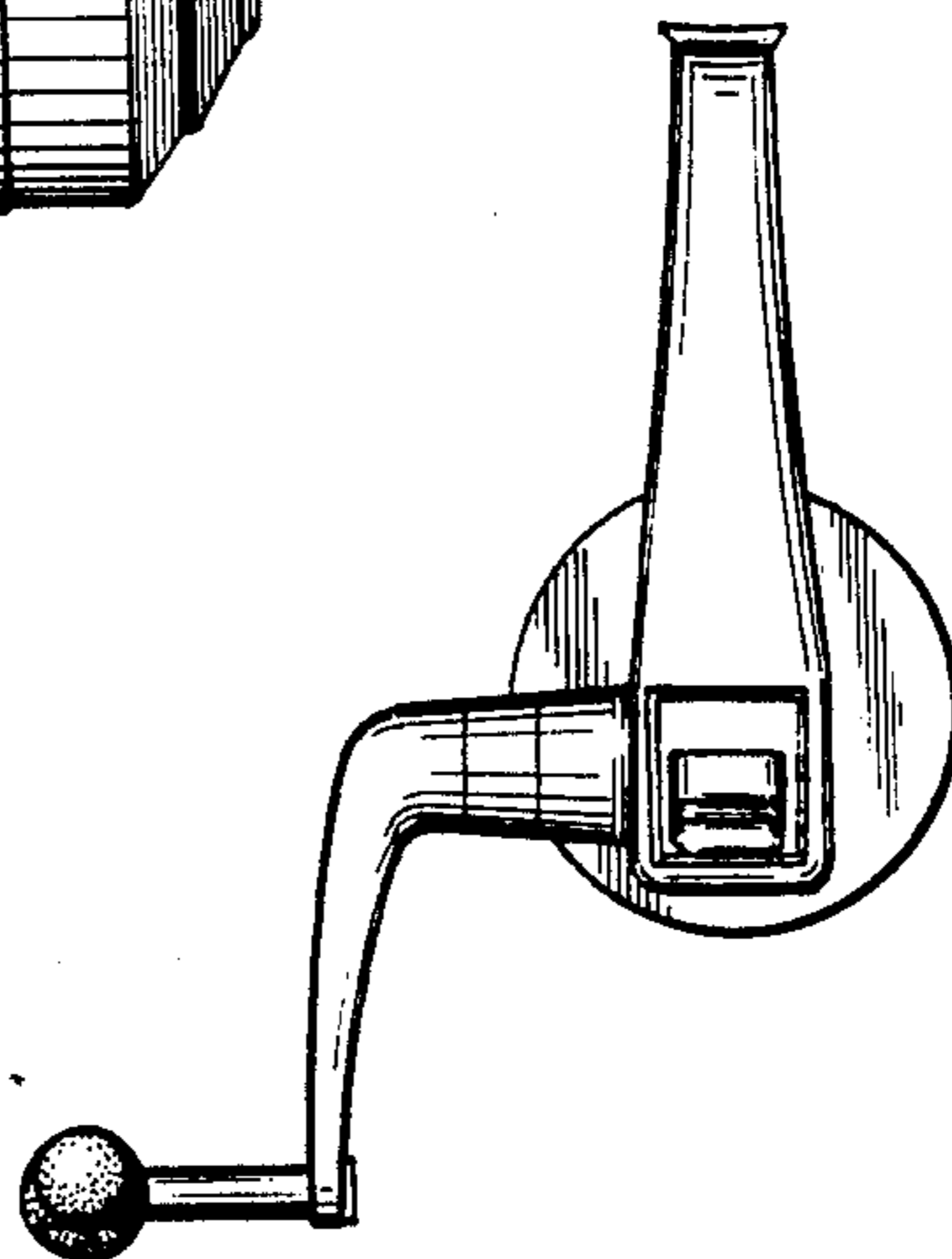


FIG. 6

