

[54] **FISHING REEL**

[56] **References Cited**

[75] **Inventors: Etsuo Hiraishi; Teruhisa Numata,**  
both of Tokyo, Japan

**U.S. PATENT DOCUMENTS**

D. 269,798 7/1983 Fee et al. .... D22/141  
D. 273,221 3/1984 Iinuma .... D22/141

[73] **Assignee: Ryobi Ltd., Hiroshima, Japan**

*Primary Examiner*—A. Hugo Word  
*Assistant Examiner*—Doris V. Coles  
*Attorney, Agent, or Firm*—Sughrue, Mion, Zinn,  
Macpeak & Seas

[\*\*] **Term: 14 Years**

[57] **CLAIM**

[21] **Appl. No.: 87,712**

The ornamental design for a fishing reel, as shown and described.

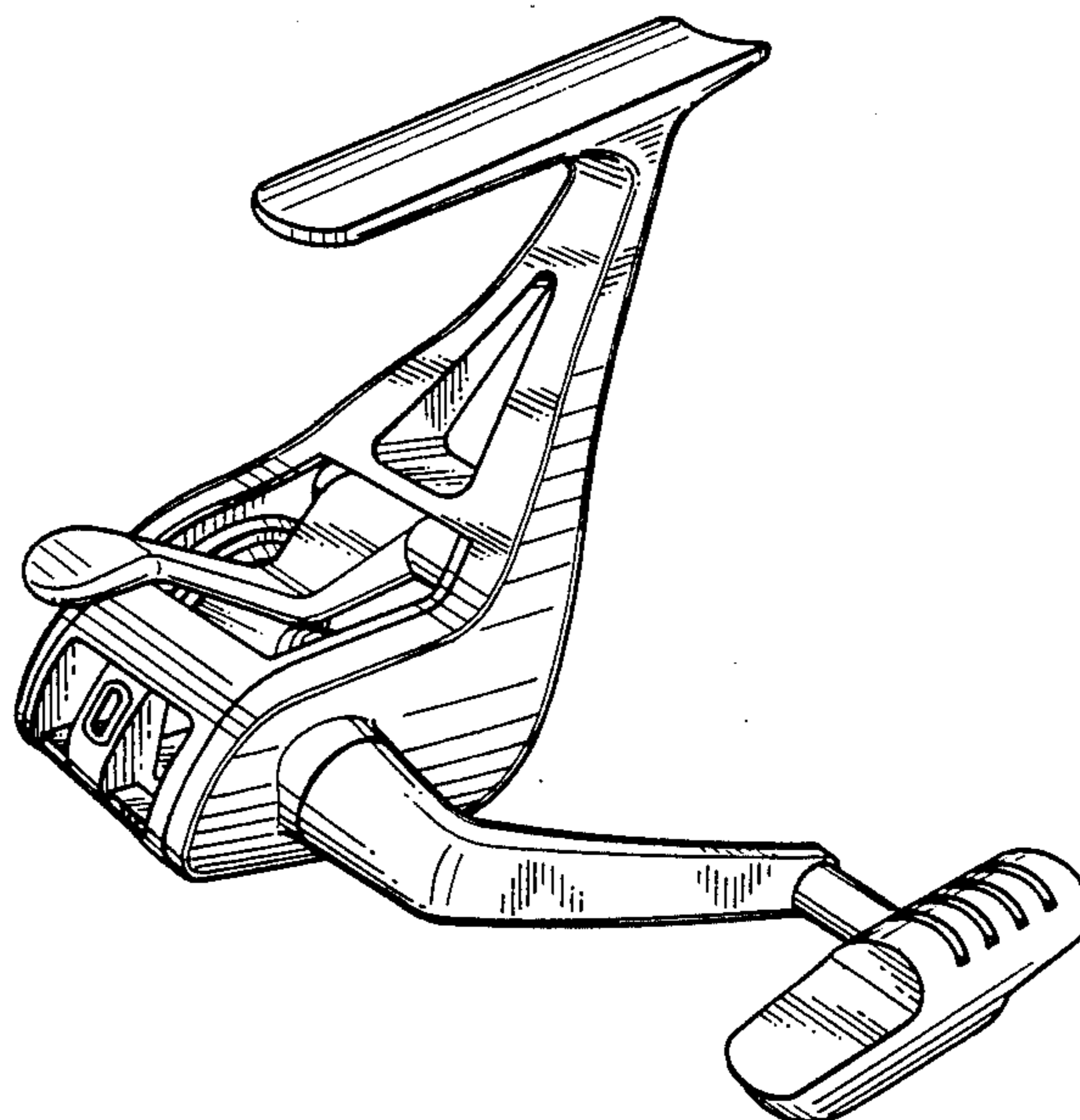
[22] **Filed: Aug. 20, 1987**

**DESCRIPTION**

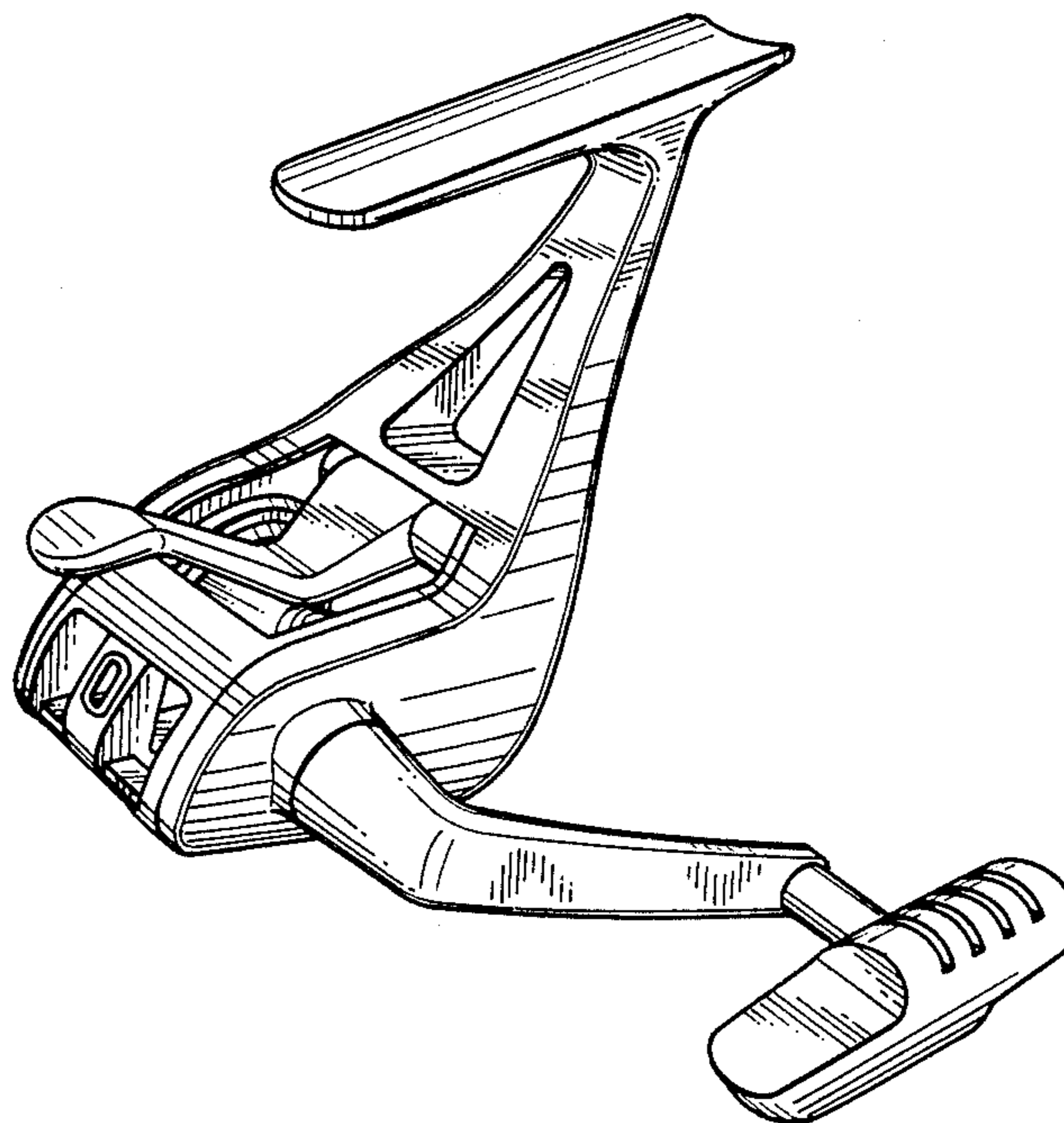
[30] **Foreign Application Priority Data**

Feb. 25, 1987 [JP] Japan ..... 62-7267  
[52] **U.S. Cl.** ..... **D22/141**  
[58] **Field of Search** ..... D22/141; 242/230, 231,  
242/232

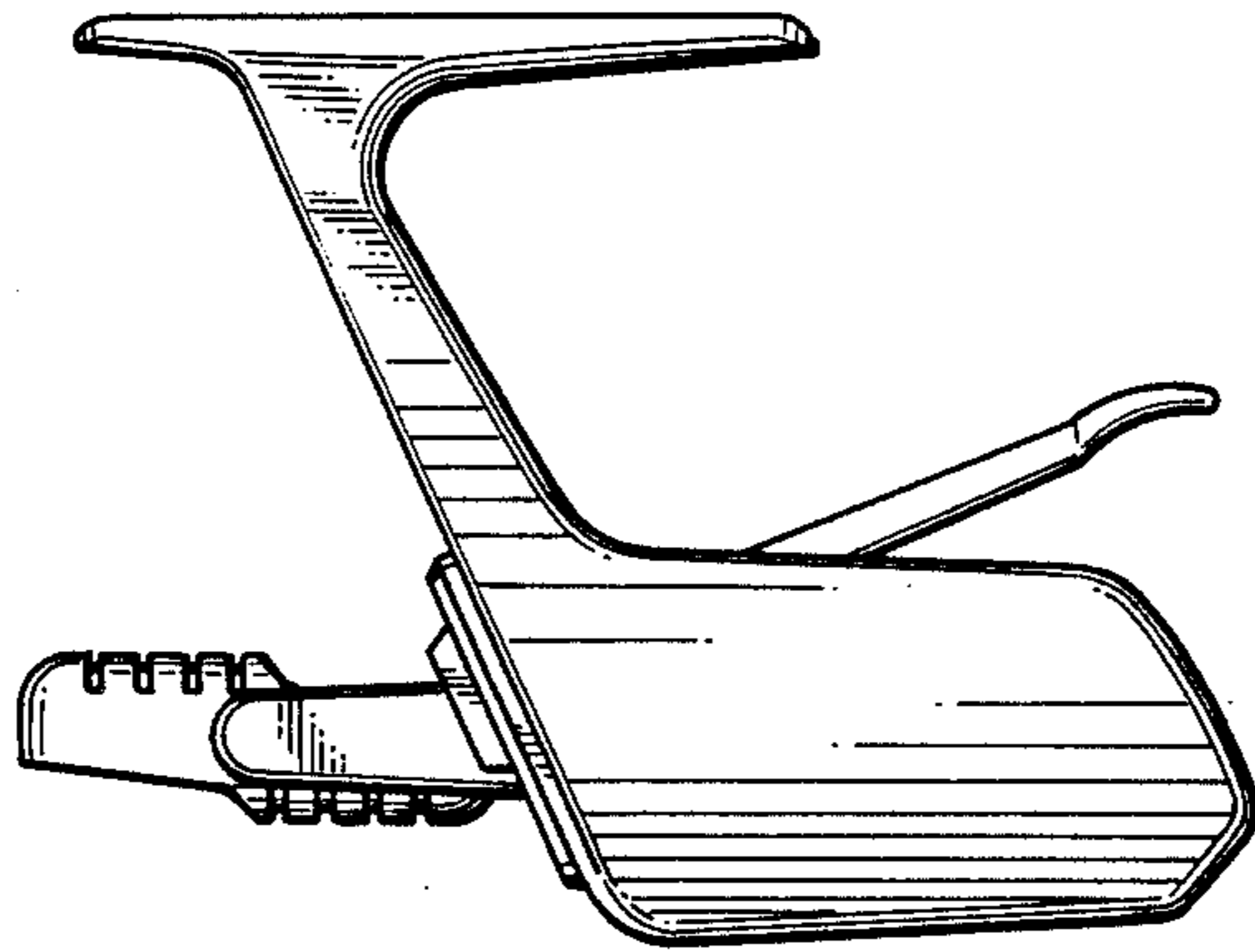
FIG. 1 is a front, top and right side perspective view of a fishing reel showing our new design; FIG. 2 is a left side elevational view thereof; FIG. 3 is a right side elevational view thereof; FIG. 4 is a top plan view thereof; FIG. 5 is a bottom plan view thereof; FIG. 6 is a front elevational view thereof; and FIG. 7 is a rear elevational view thereof.



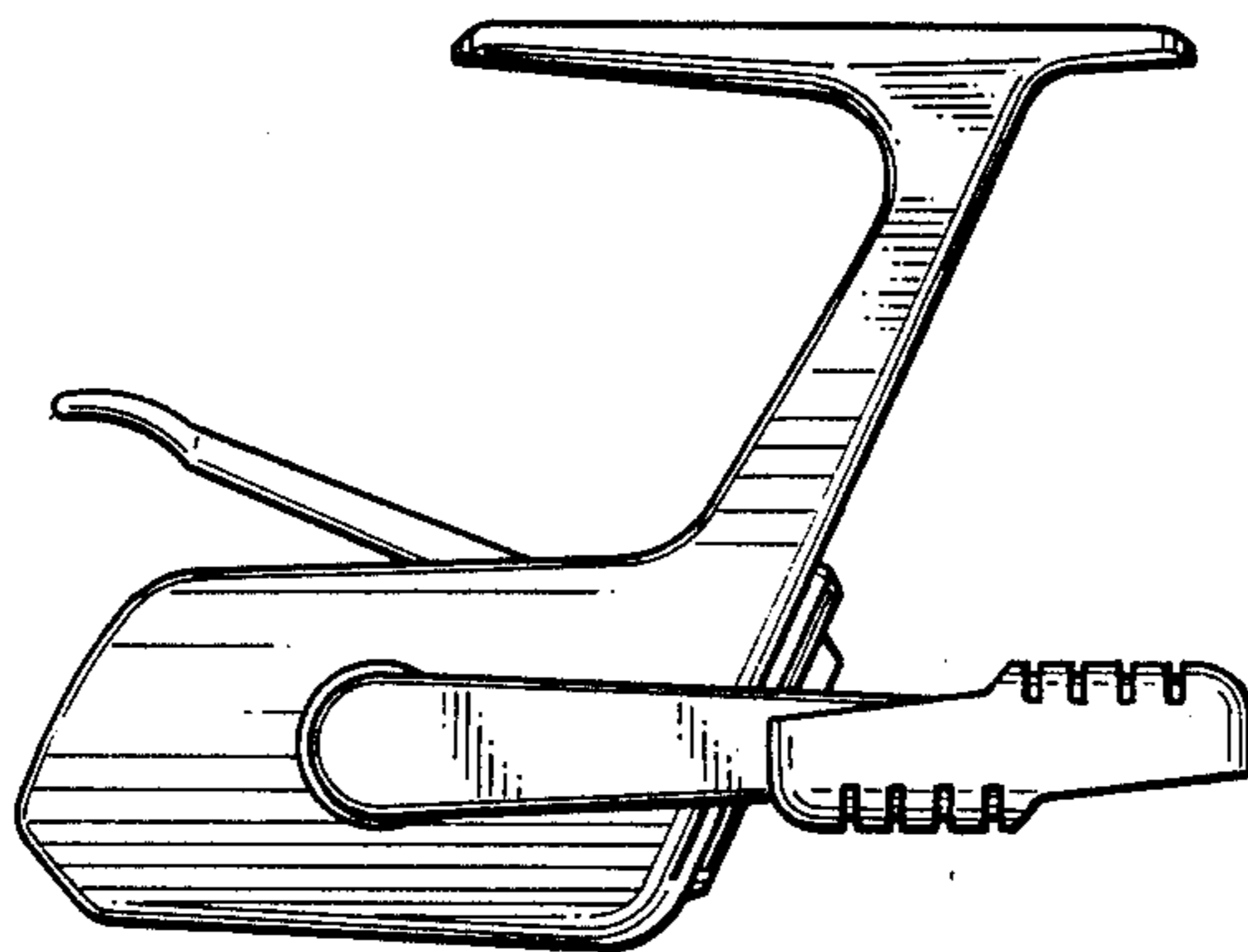
*Fig. 1*



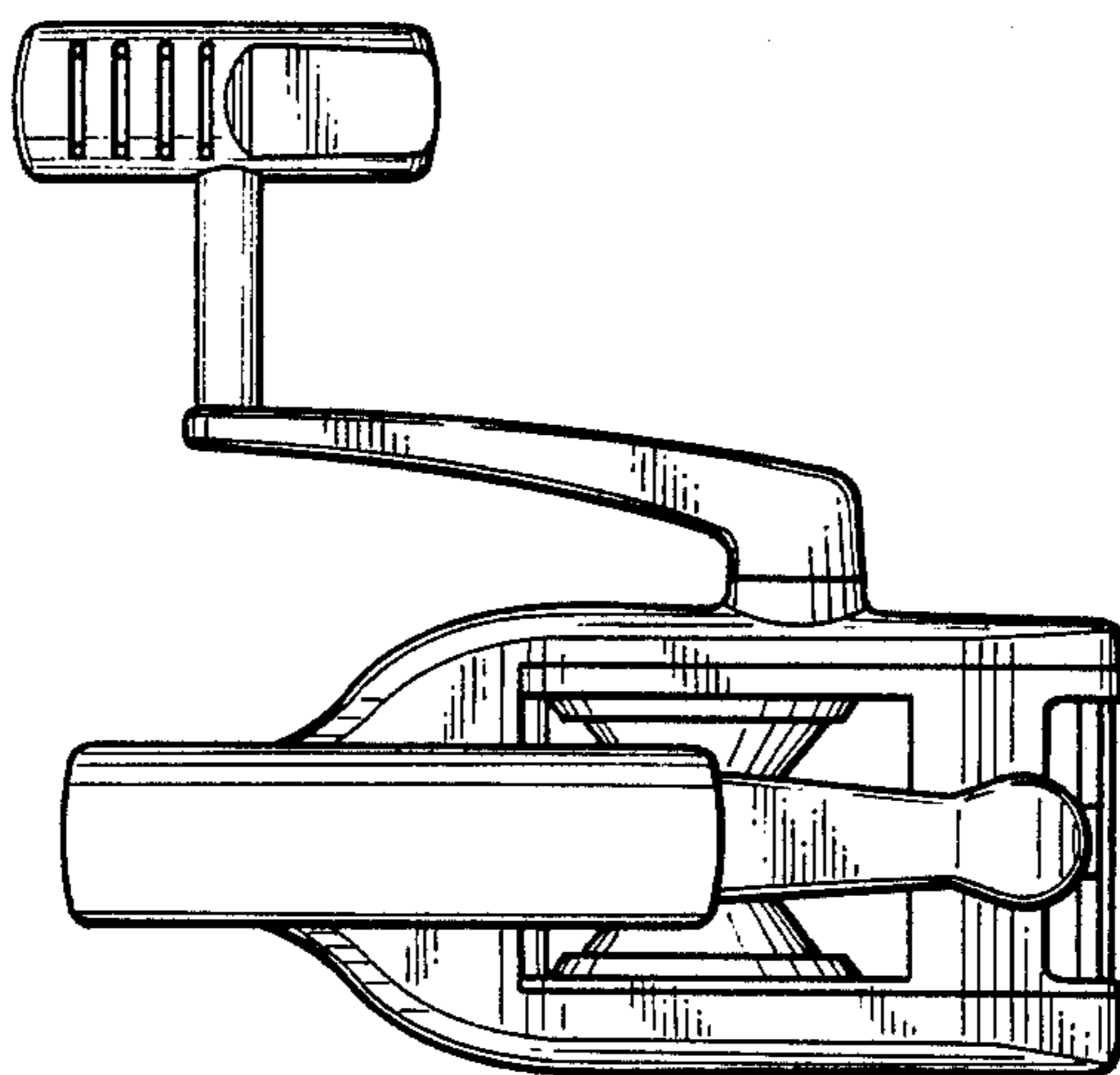
*Fig. 2*



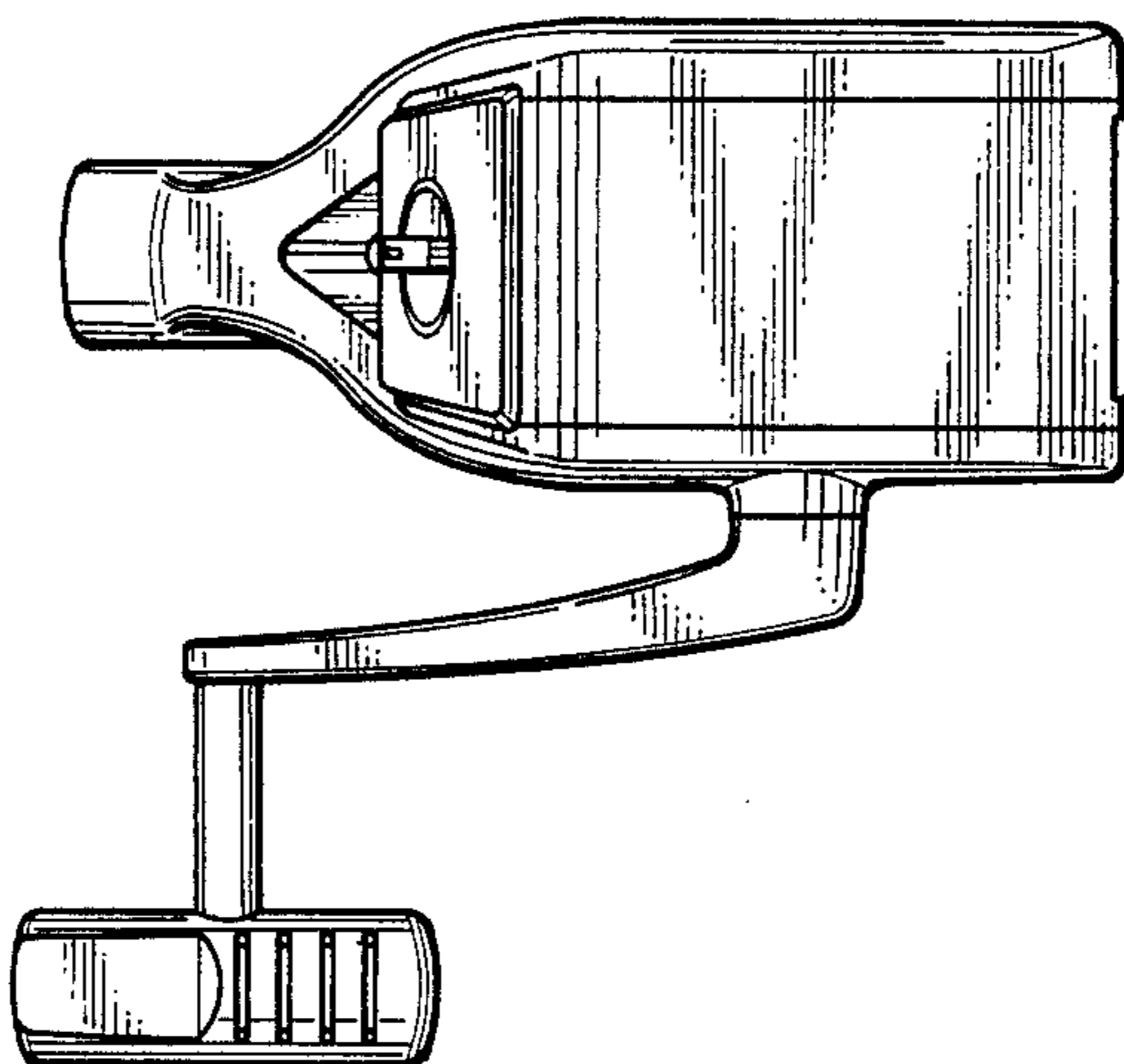
*Fig. 3*



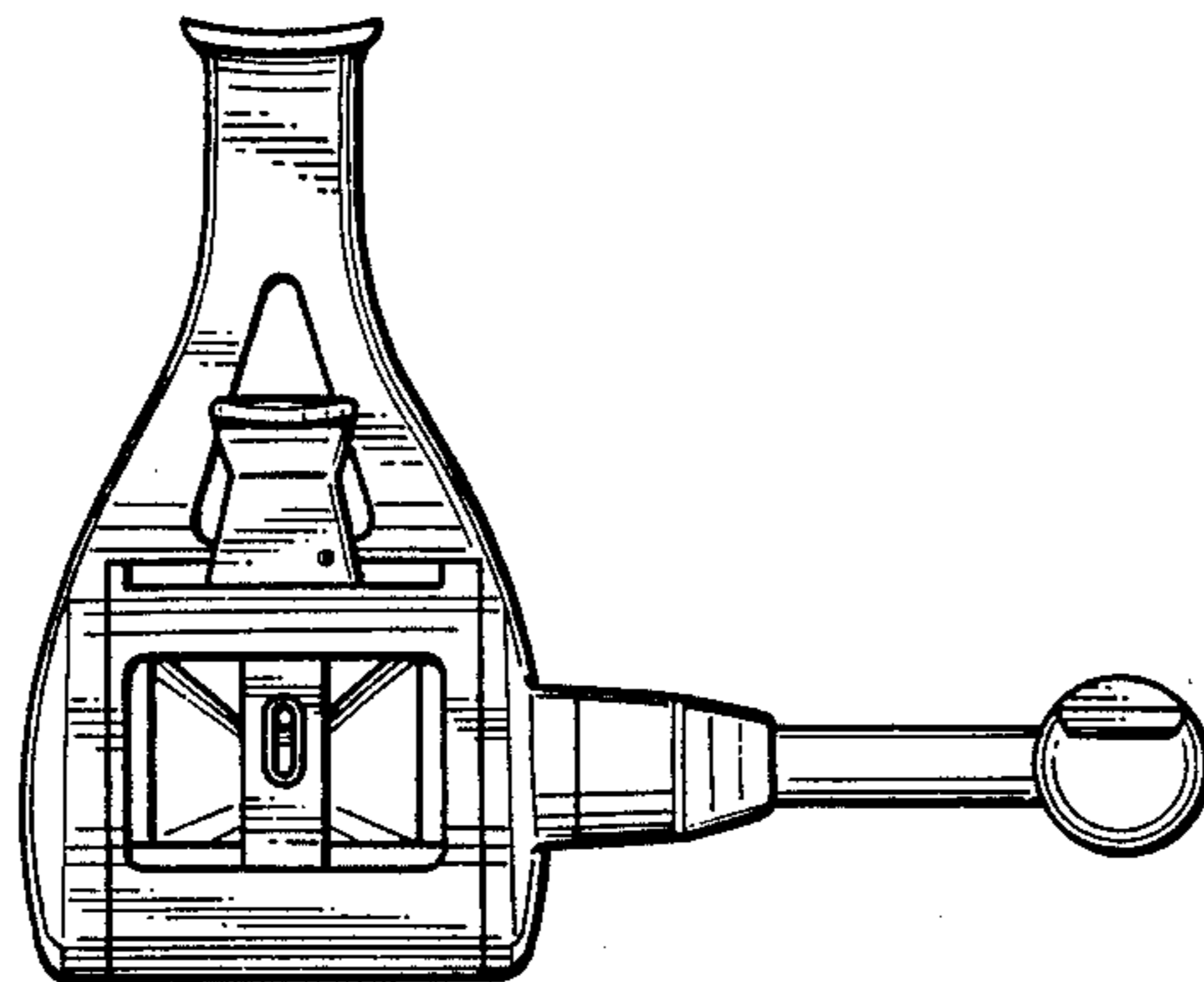
*Fig. 4*



*Fig. 5*



*Fig. 6*



*Fig. 7*

