

[54] SPORTS GOAL

4,116,446 9/1978 Thompson 273/127 B
4,759,545 7/1988 Grable D21/201

[76] Inventor: Jeff Bisch, 535 East Montecito St.,
Santa Barbara, Calif. 93103

Primary Examiner—Charles A. Rademaker
Assistant Examiner—Alicia A. Farrell
Attorney, Agent, or Firm—Bright & Lorig

[**] Term: 14 Years

[21] Appl. No.: 109,243

[57] CLAIM

The ornamental designs for a sports goal, as shown and described.

[22] Filed: Oct. 15, 1987

[52] U.S. Cl. D21/201

[58] Field of Search D21/48, 198, 200, 201;
294/19.2; 273/1.5 R, 1.5 A, 29 R, 29 B, 29 BB,
55 R, 55 B, 55 C, 55 D, 127 R, 127 B, 181 R,
182 R, 400, 411

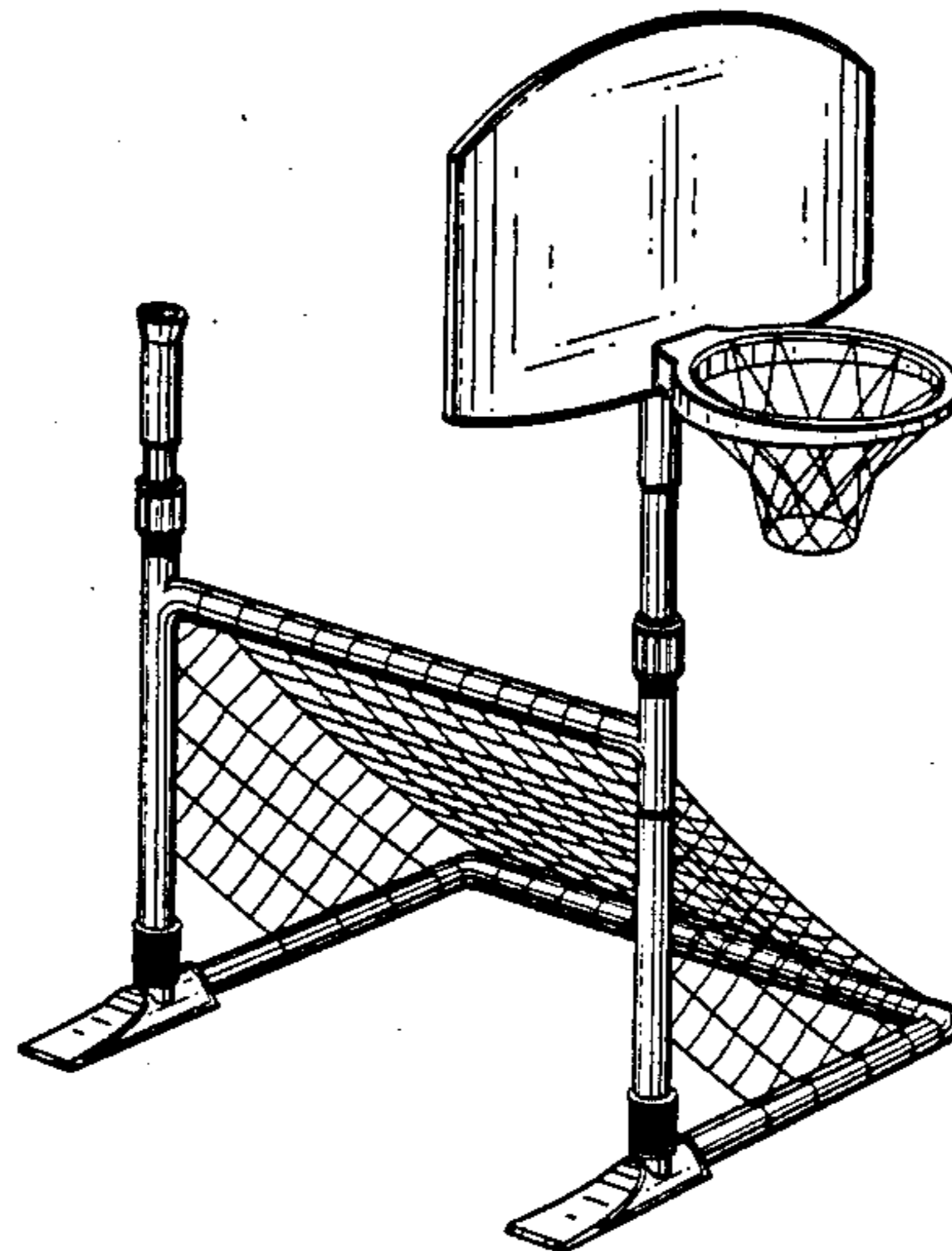
DESCRIPTION

FIG. 1 is a perspective view of a sports goal showing my new design;
FIG. 2 is a top plan view thereof;
FIG. 3 is a rear elevational view thereof;
FIG. 4 is a bottom plan view thereof;
FIG. 5 is a front elevational view thereof;
FIG. 6 is a left side elevational view thereof; and
FIG. 7 is an alternate embodiment of the design shown in FIGS. 1 and 5 thereof.

[56] References Cited

U.S. PATENT DOCUMENTS

D. 222,978 2/1972 Vinas 273/400
2,977,118 3/1961 Farkas 273/1.5 R
3,602,504 8/1971 Chapman 273/55 R



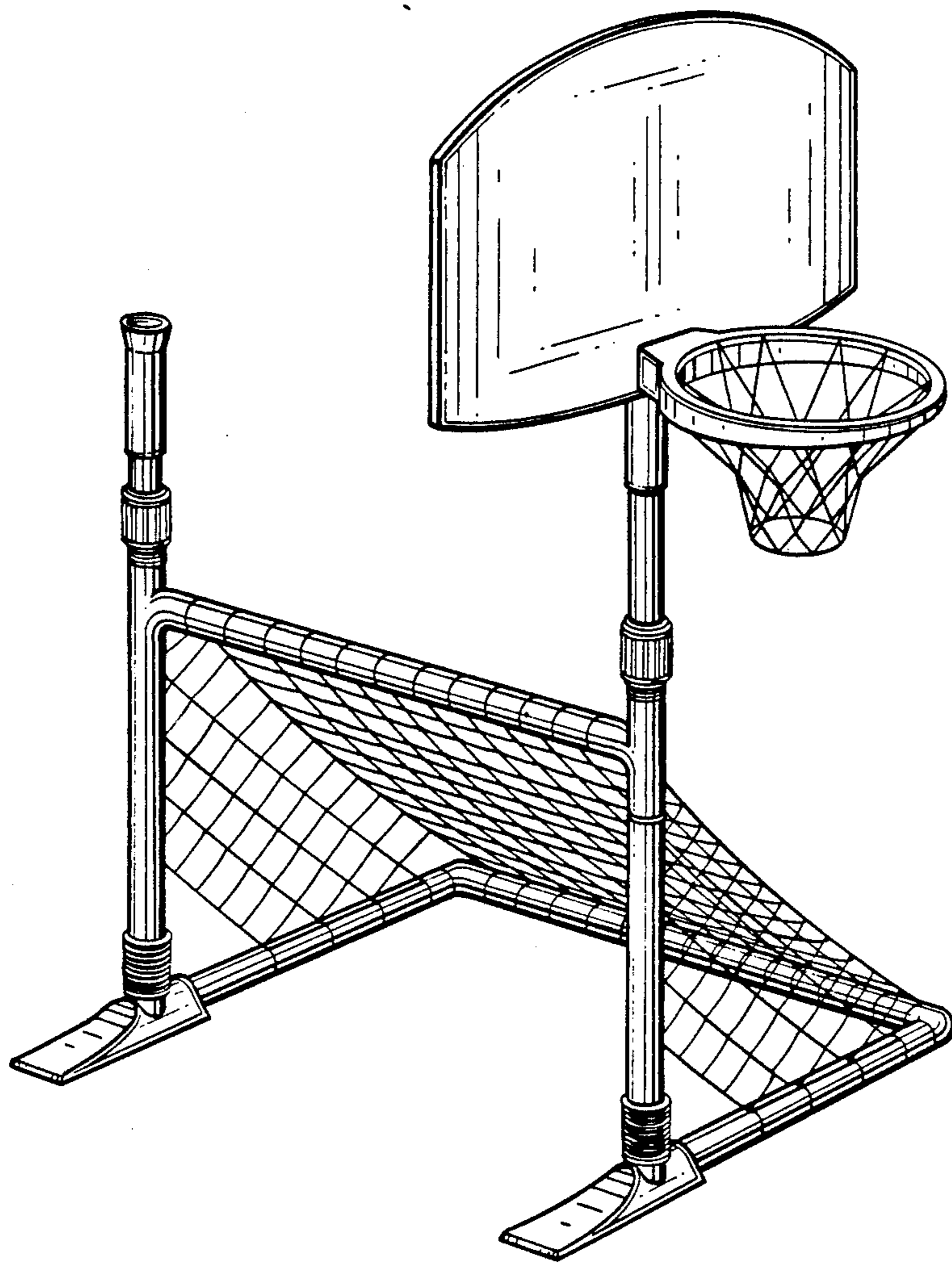


FIG. 1

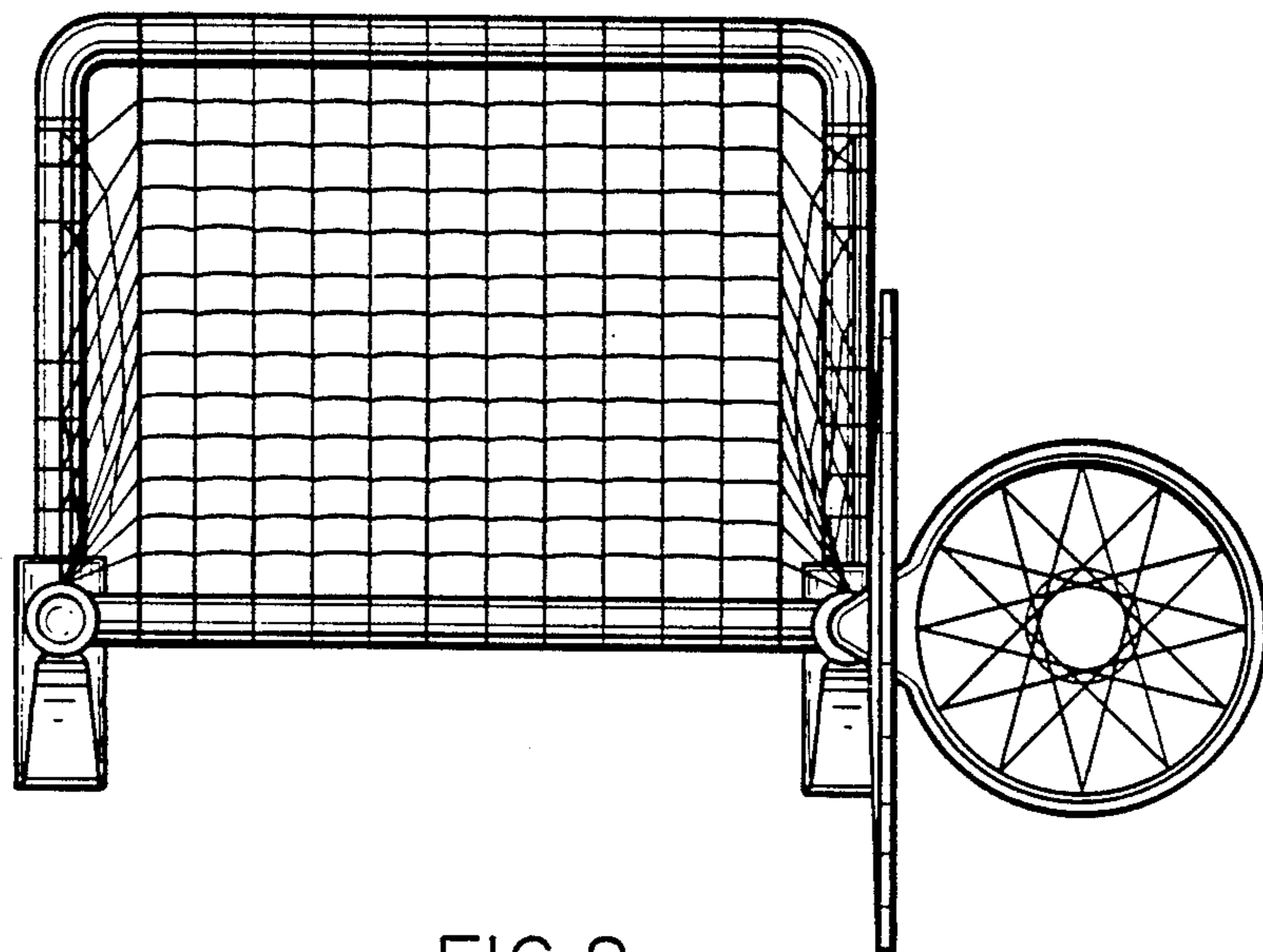


FIG. 2

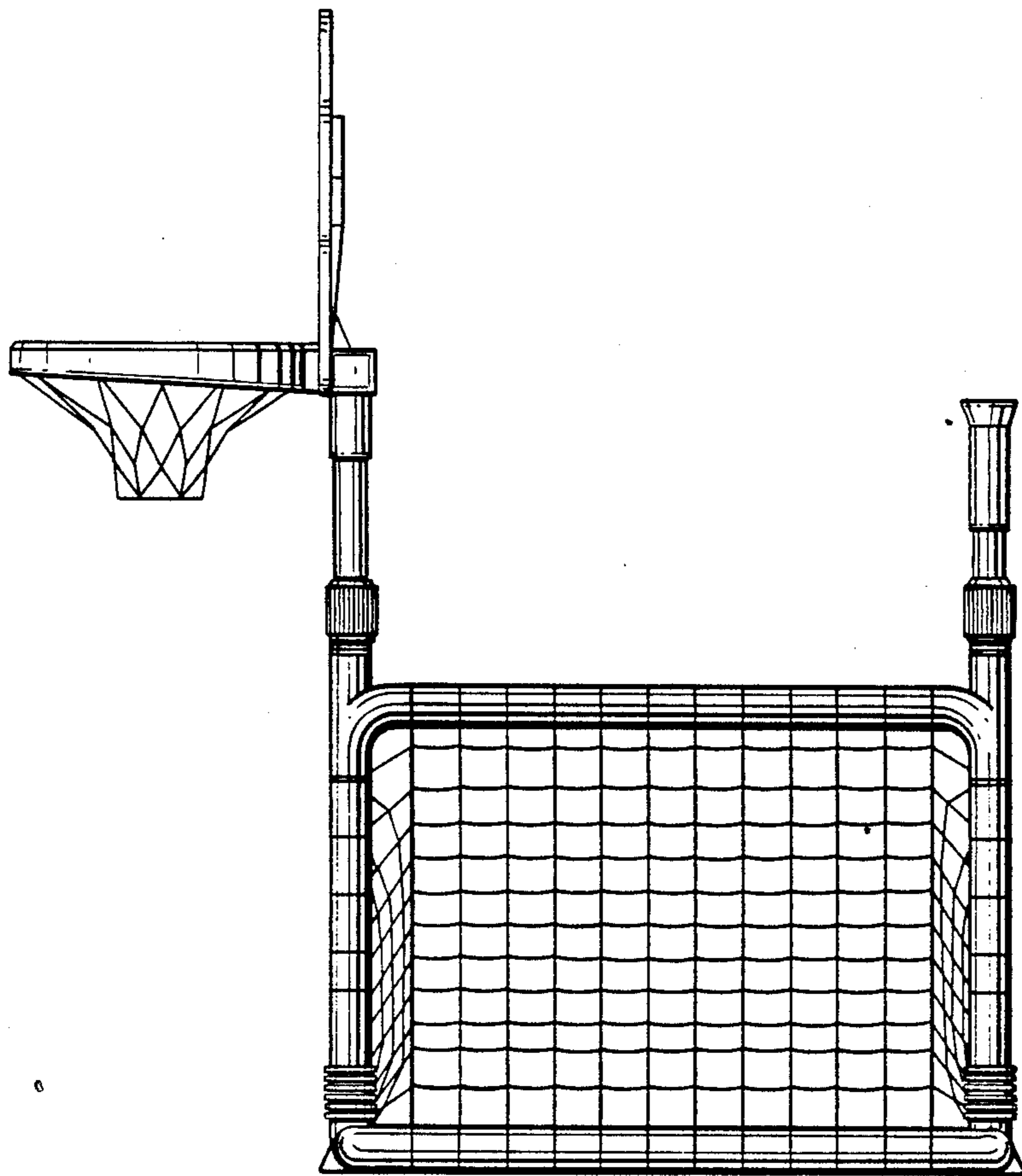


FIG. 3

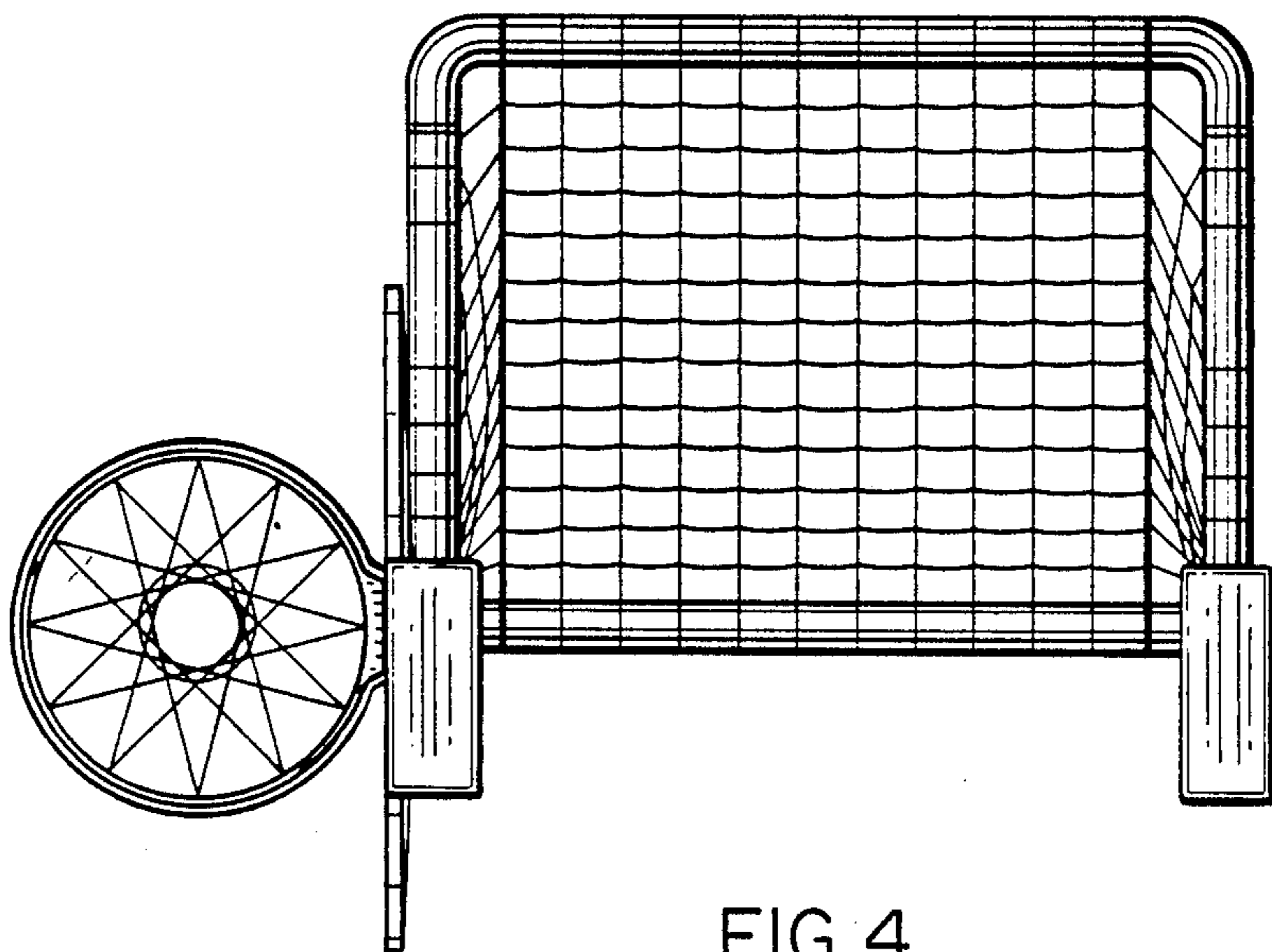


FIG. 4

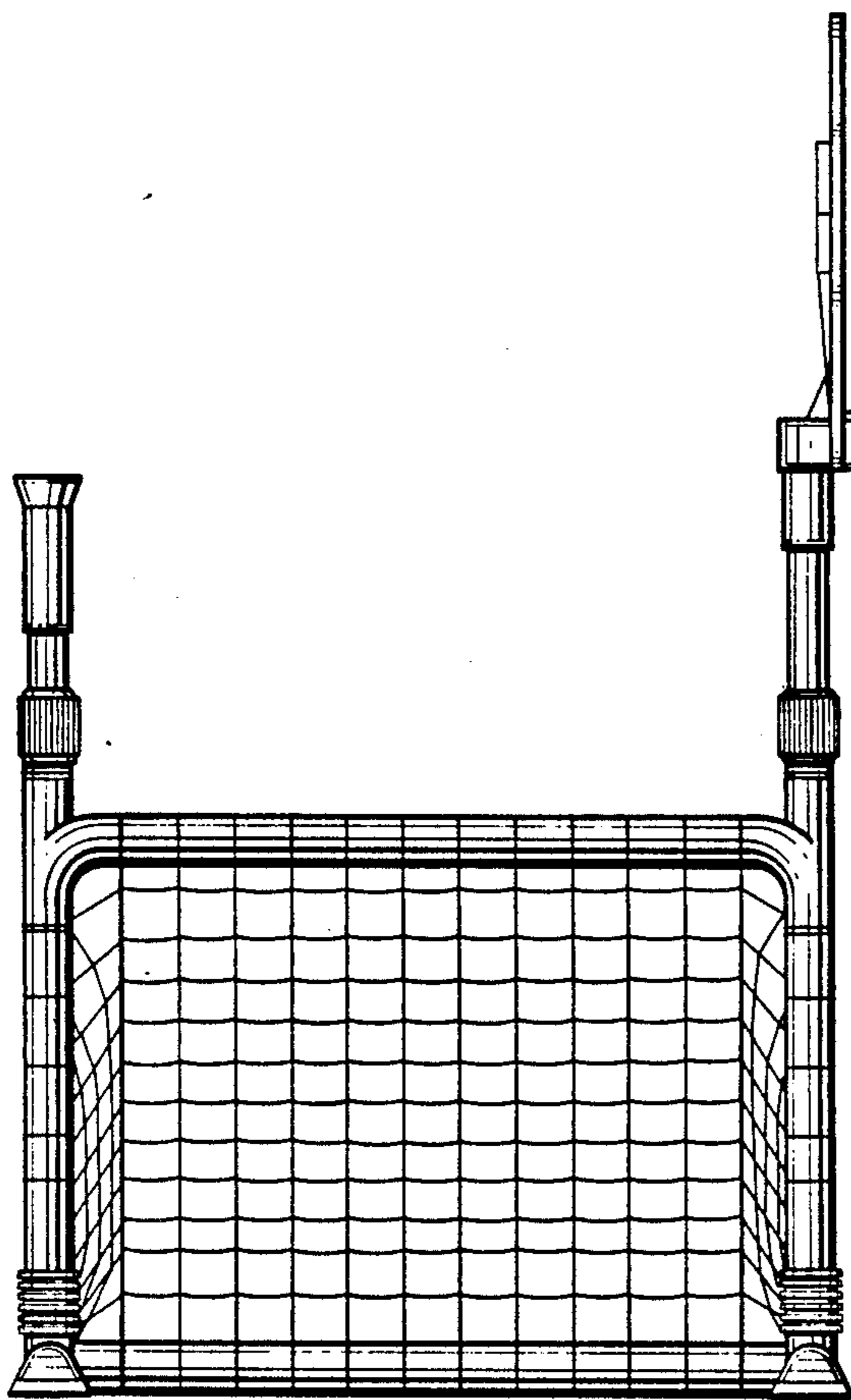


FIG. 5

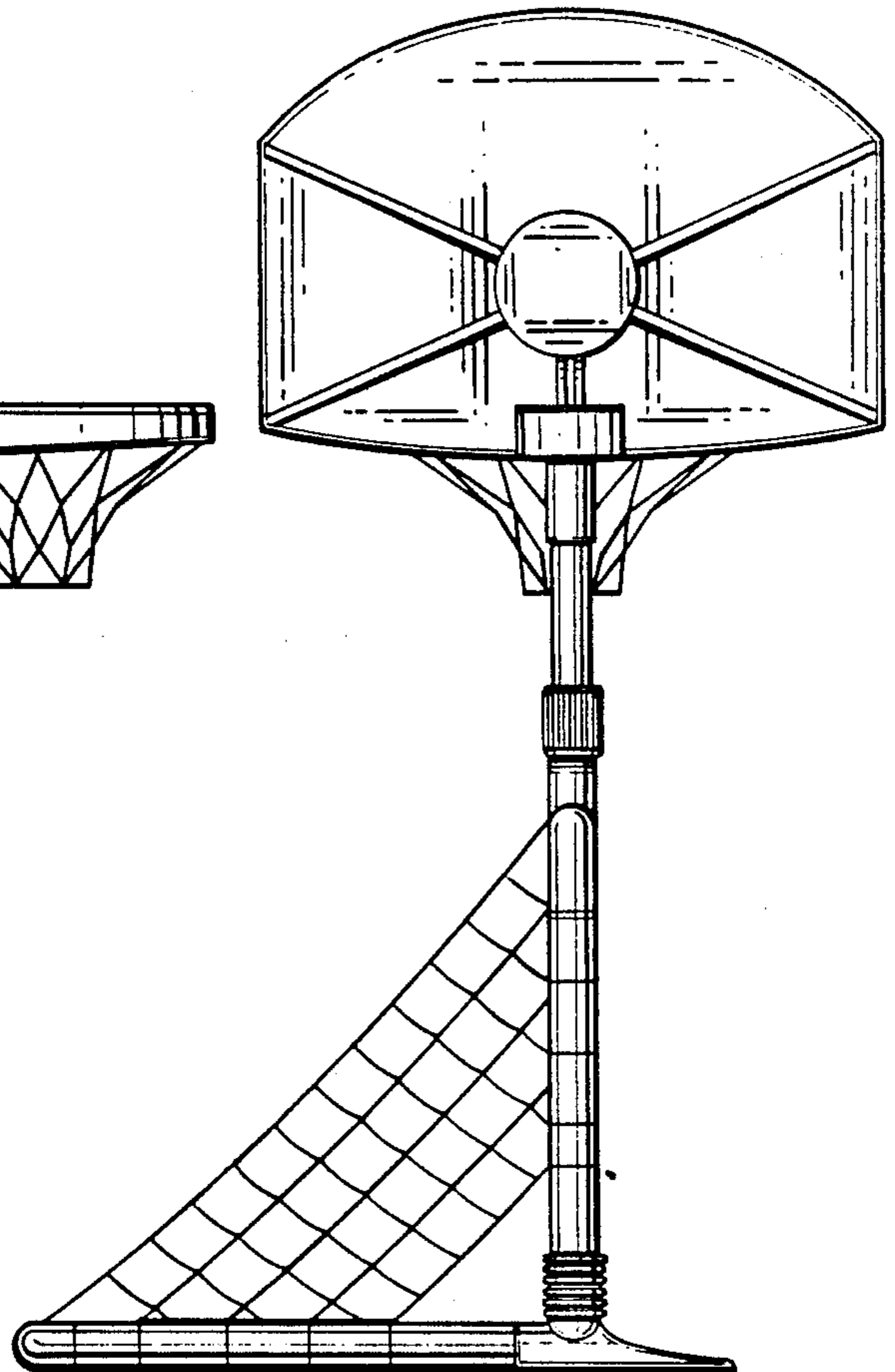


FIG. 6

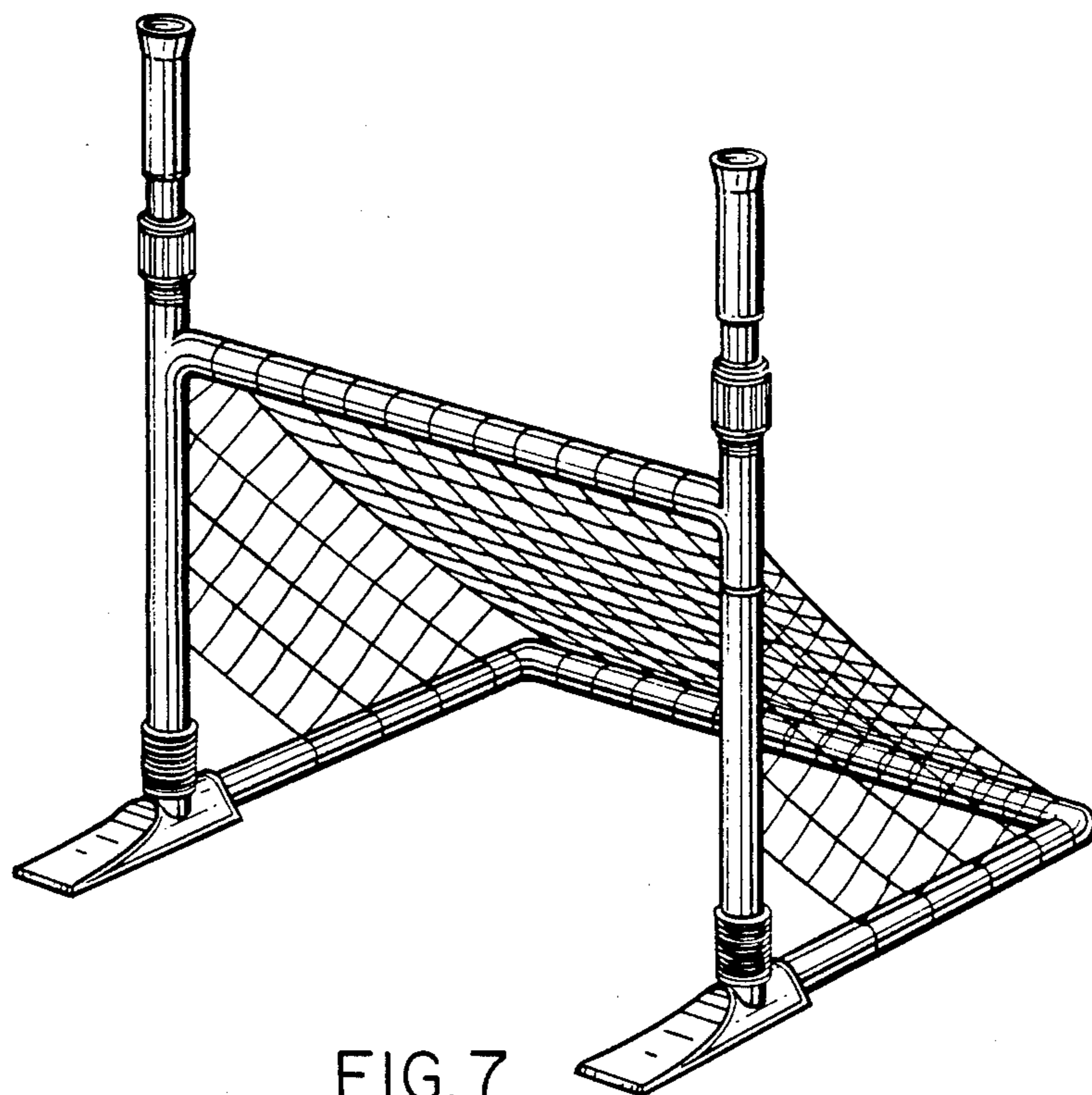


FIG. 7