

[54] **SWIMMING POOL FLOAT**

[76] **Inventor: Robert S. Scheurer, P.O. Box 539, Wichita Falls, Tex. 76307**

[*] **Notice:** The portion of the term of this patent subsequent to Mar. 6, 2004 has been disclaimed.

[**] **Term: 14 Years**

[21] **Appl. No.: 130,969**

[22] **Filed: Dec. 10, 1987**

[52] **U.S. Cl. D21/237; D6/382**

[58] **Field of Search D21/236, 237; D6/596, D6/601, 604, 382; 441/129-132, 88, 40, 41**

[56] **References Cited**

U.S. PATENT DOCUMENTS

D. 203,251 12/1965 Barber D6/601

D. 209,118 10/1967 Grube D6/596
D. 260,217 8/1981 Rhoe D6/596
4,138,753 2/1979 Wood 441/129

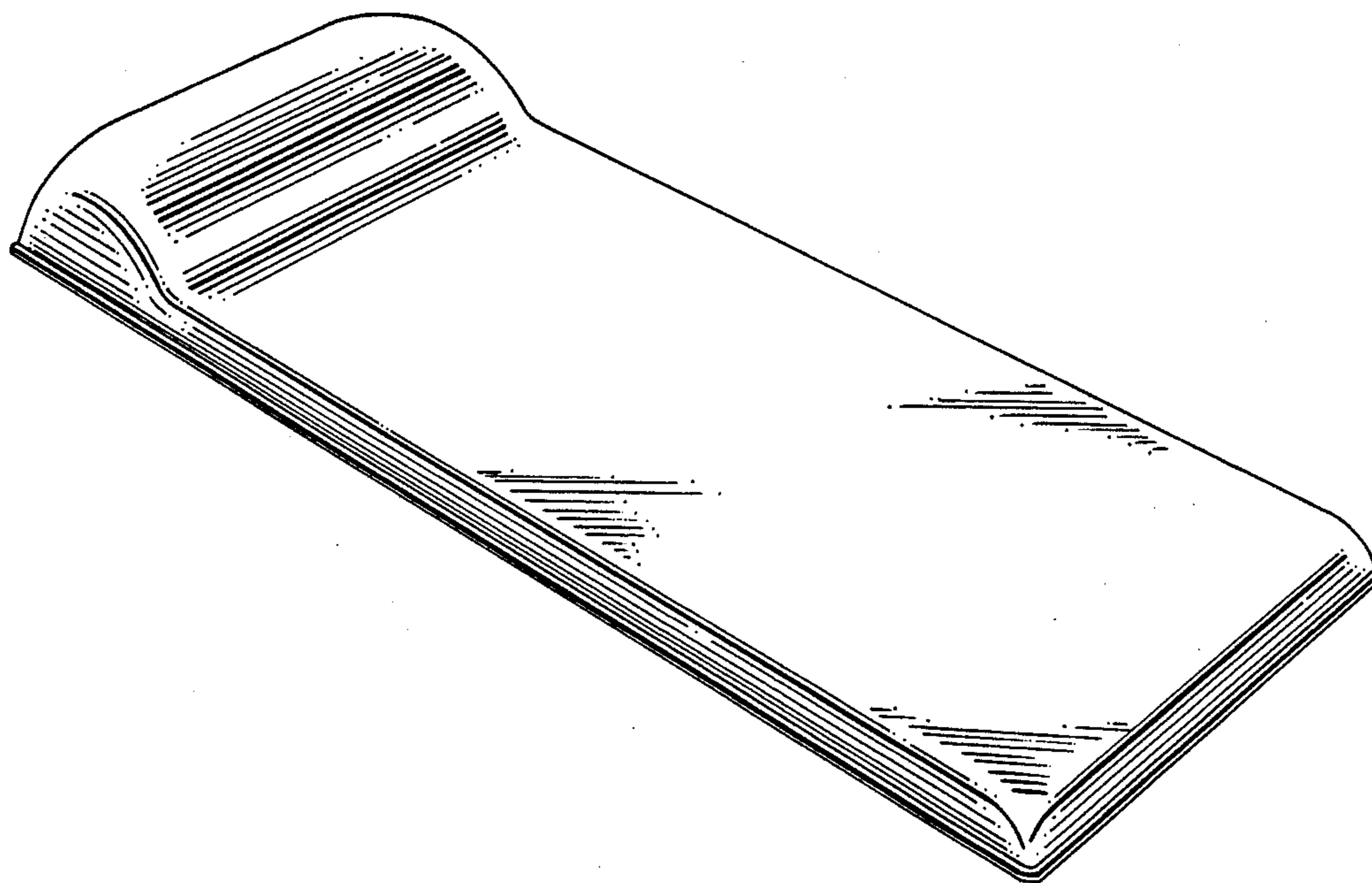
Primary Examiner—Wallace R. Burke
Assistant Examiner—Kay H. Chin
Attorney, Agent, or Firm—Dennis T. Griggs

[57] **CLAIM**

The ornamental design for a swimming pool float, as shown and described.

DESCRIPTION

FIG. 1 is a perspective view of a swimming pool float showing my new design;
FIG. 2 is a left side elevational view thereof;
FIG. 3 is a front elevational view thereof;
FIG. 4 is a rear elevational view thereof;
FIG. 5 is a top plan view thereof; and,
FIG. 6 is a bottom plan view thereof.



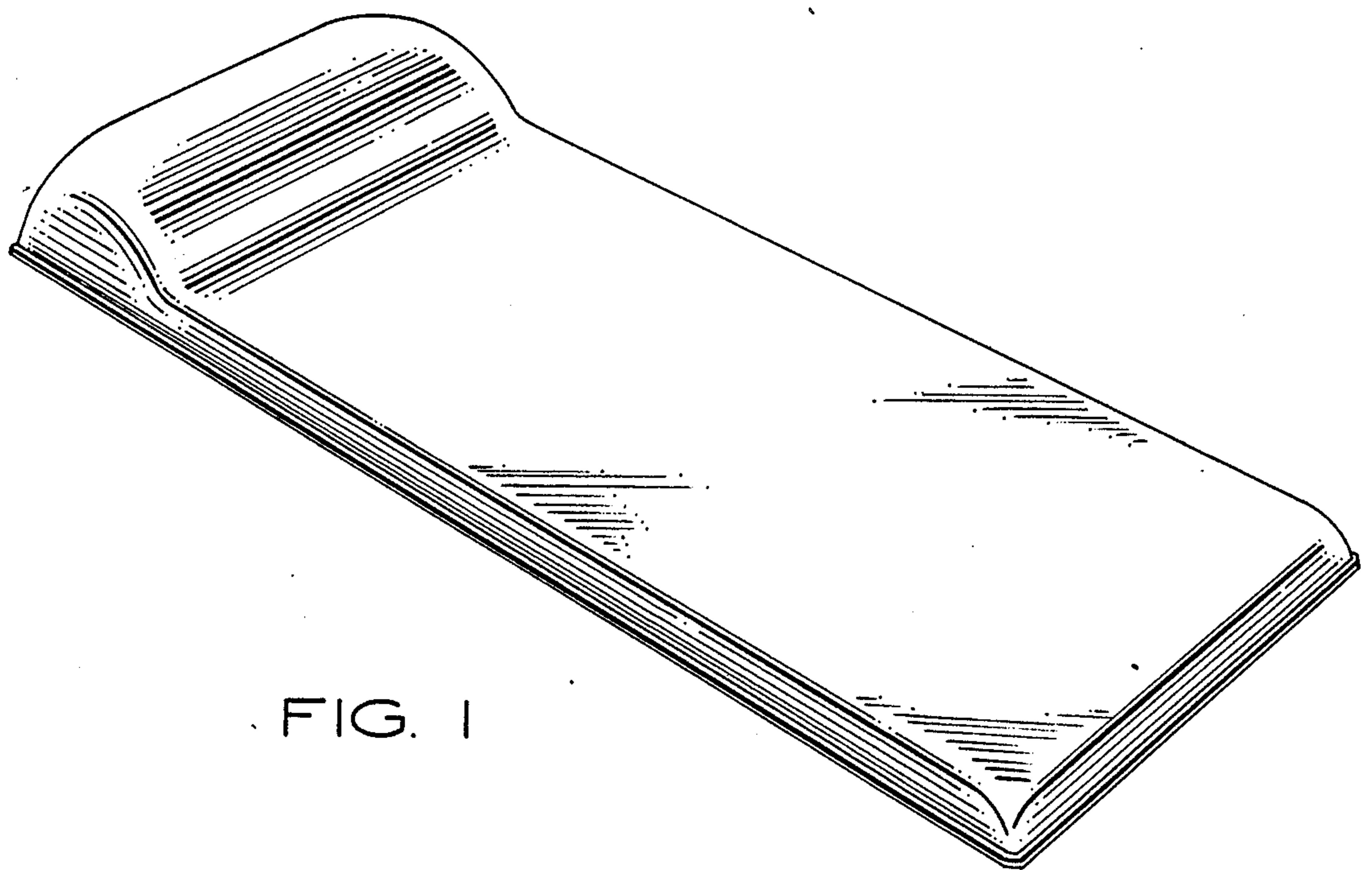


FIG. 1

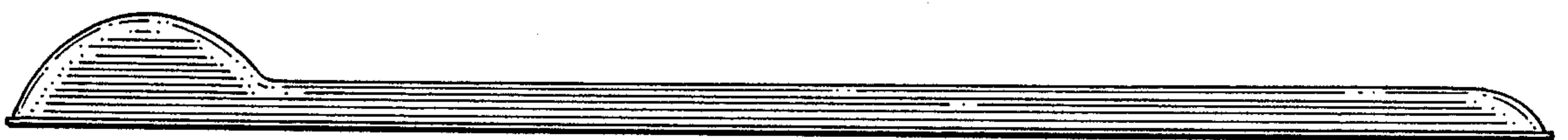


FIG. 2

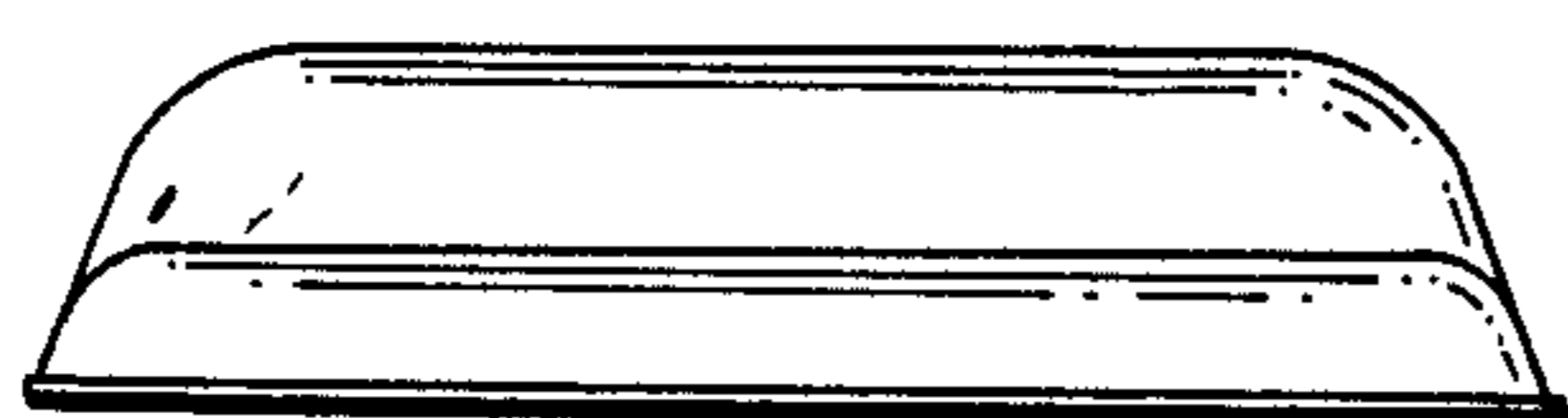


FIG. 3



FIG. 4

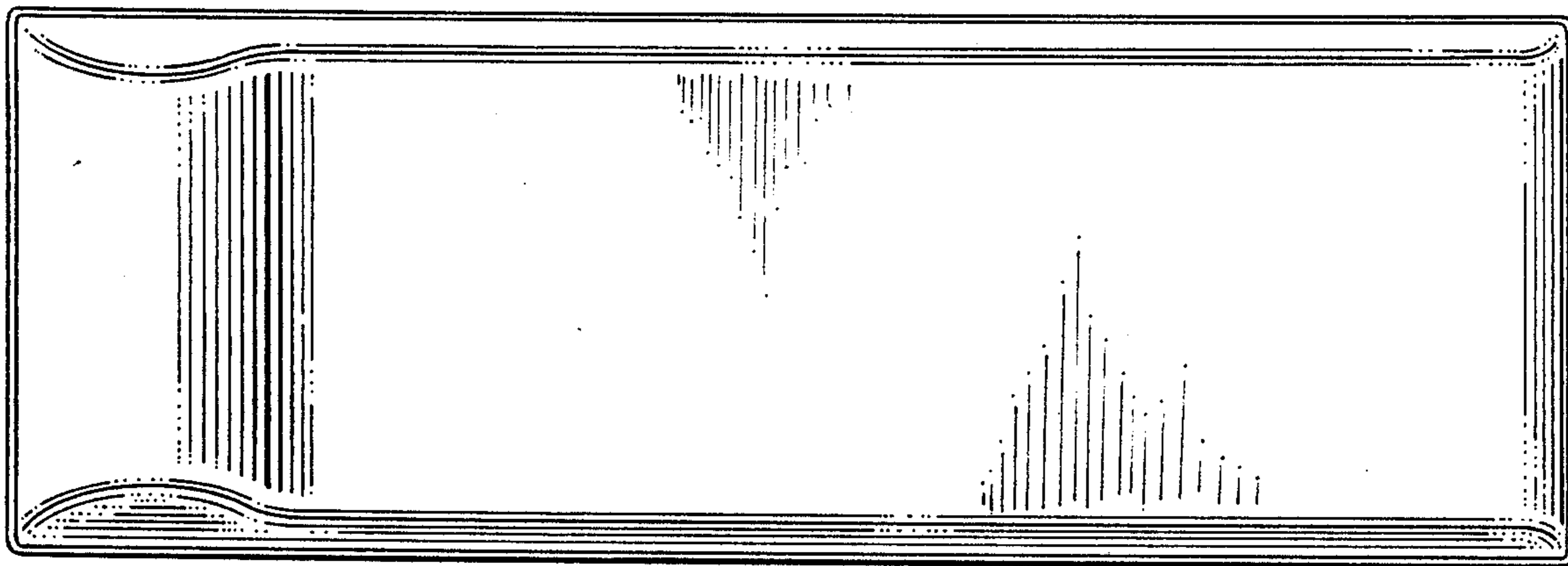


FIG. 5

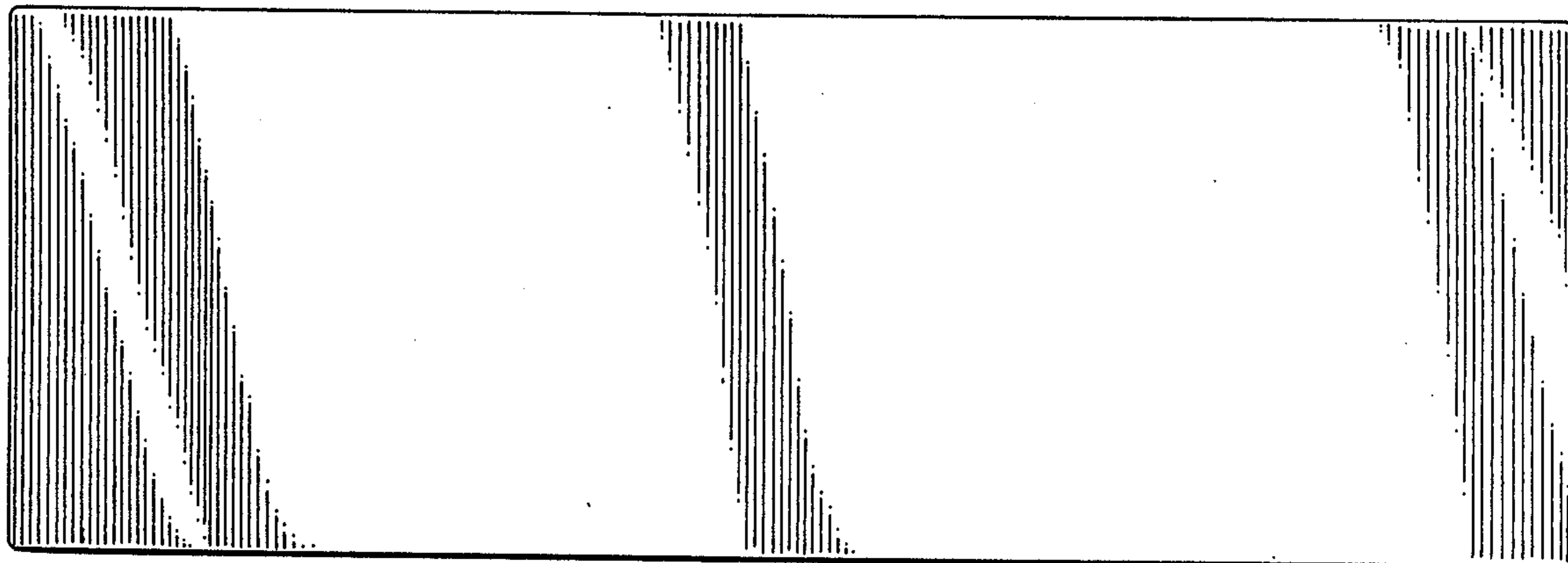


FIG. 6