

[54] **EXERCISE CYCLE**

[75] **Inventor: John Griffin, Salt Lake City, Utah**

[73] **Assignee: Weslo, Inc., Logan, Utah**

[**] **Term: 14 Years**

[21] **Appl. No.: 182,572**

[22] **Filed: Apr. 18, 1988**

[52] **U.S. Cl. D21/194**

[58] **Field of Search D21/191-199;
272/73, 70.3, 132; 73/379**

[56] **References Cited**

U.S. PATENT DOCUMENTS

- D. 279,206 6/1985 Smith et al. .
- D. 289,669 5/1987 Kasuba et al. D21/194
- D 289,670 5/1987 Kasuba et al. D21/194
- D. 302,035 7/1989 Smith D21/194

OTHER PUBLICATIONS

American Express Merchandise Catalog, 10-1986, p. 45, "Lifecycle".

Sporting Goods Dealer, 9-1986, p. 176, "Vitamaster" Cycle.

Fall 1987 catalog, "Vital Concepts", from Vitamaster.

Primary Examiner—Charles A. Rademaker
Attorney, Agent, or Firm—Trask, Britt & Rossa

[57] **CLAIM**

The ornamental design for an exercise cycle, as shown and described.

DESCRIPTION

FIG. 1 is a perspective view of an exercise cycle showing my new design;

FIG. 2 is a right side elevational view thereof;

FIG. 3 is a left side elevational view thereof;

FIG. 4 is a rear elevational view thereof;

FIG. 5 is a front elevational view thereof;

FIG. 6 is a top plan view thereof;

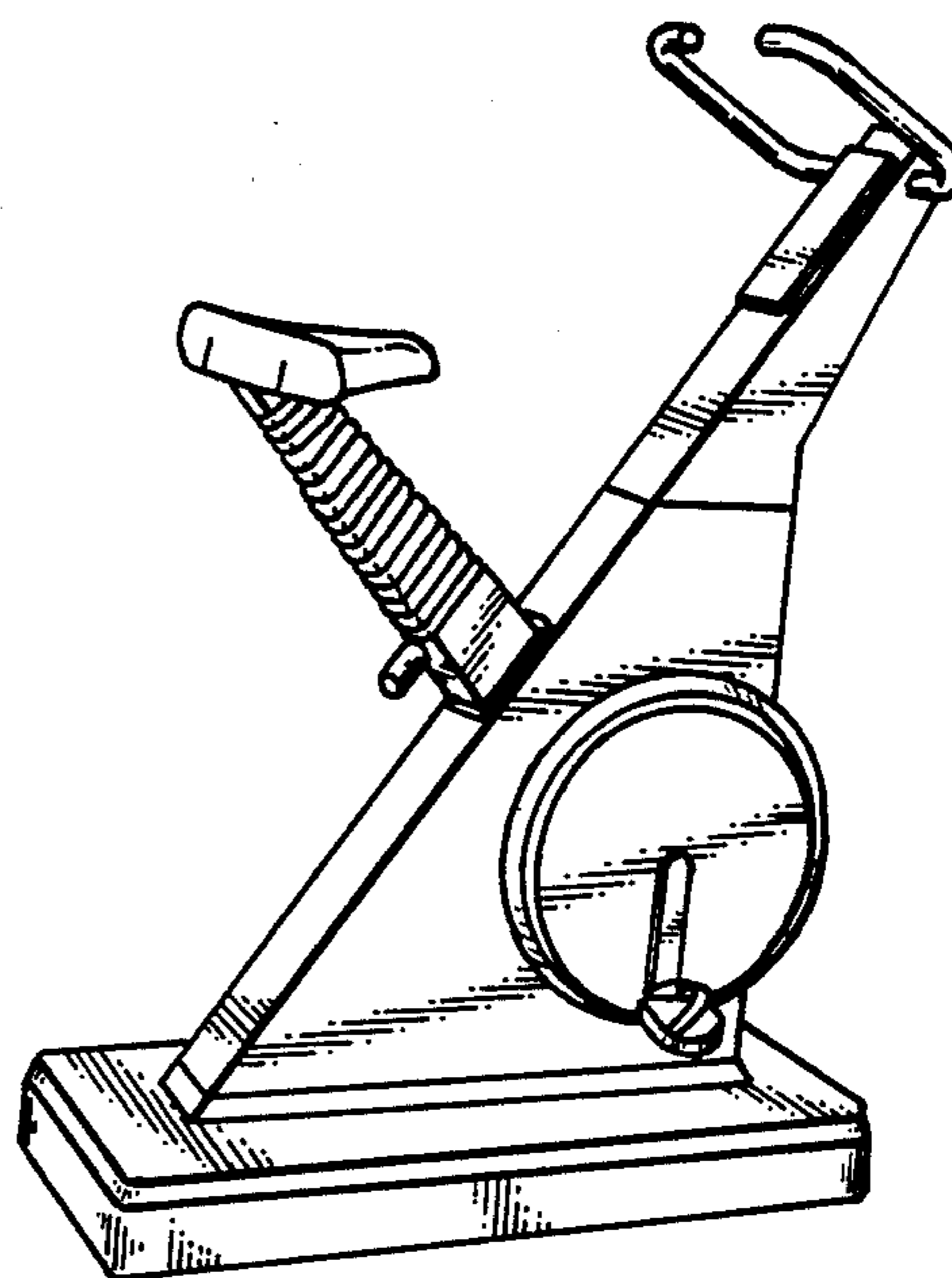
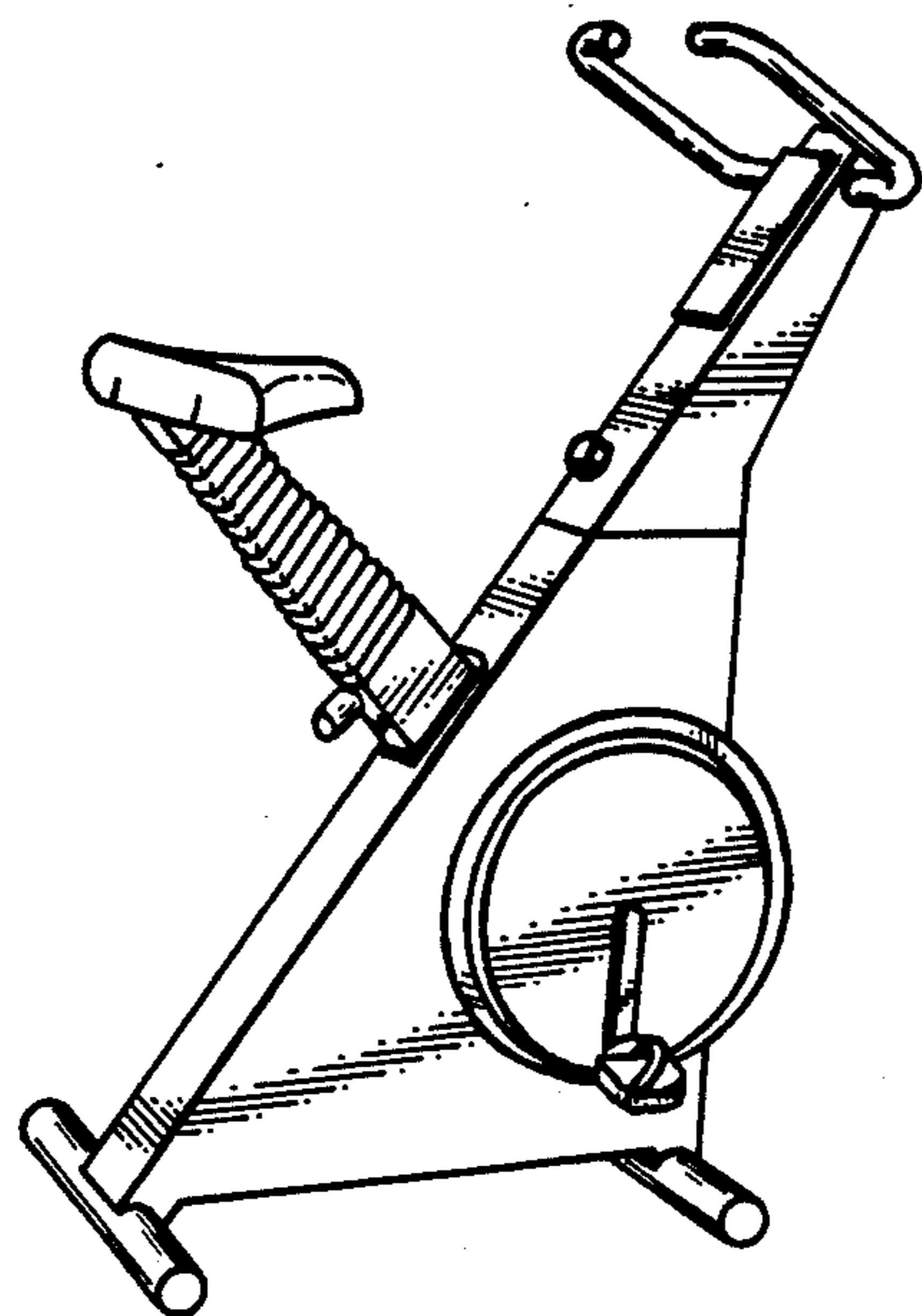
FIG. 7 is a bottom plan view thereof;

FIG. 8 is a perspective view of a modified embodiment of the design shown in FIGS. 1 through 7;

FIG. 9 is right side elevational view thereof;

FIG. 10 is a top plan view thereof;

FIG. 11 is a bottom plan view.



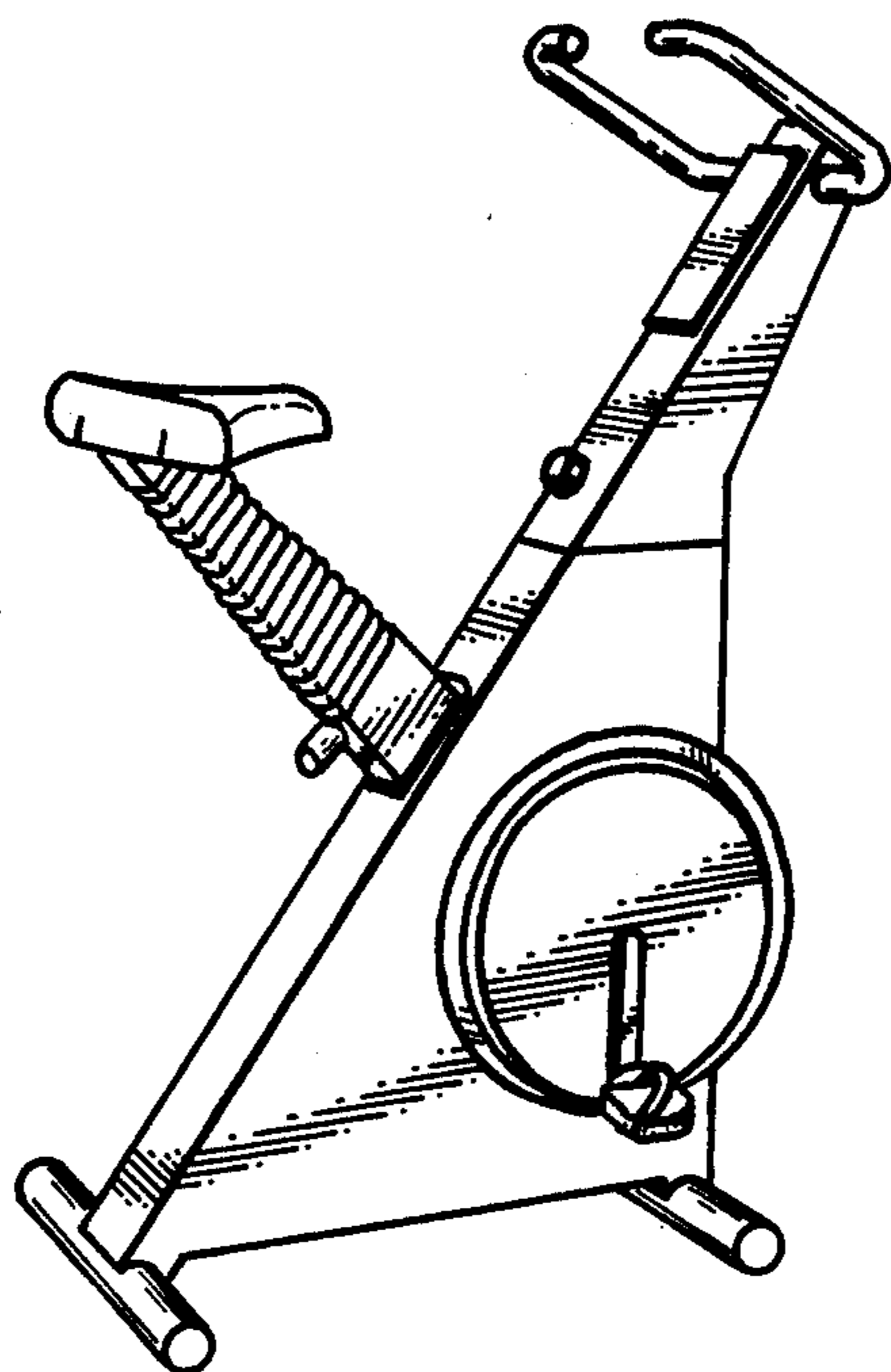


Fig. 1

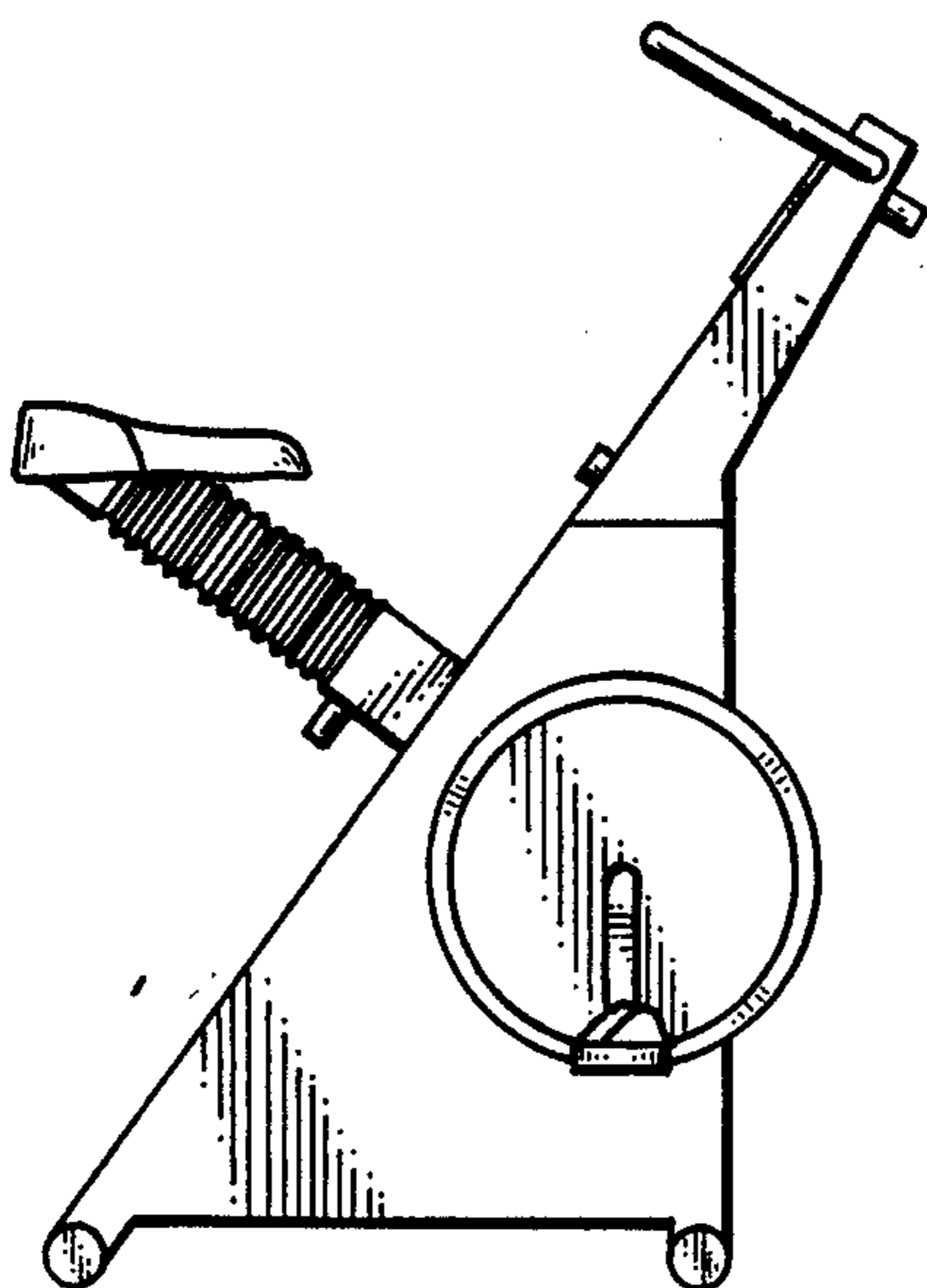


Fig. 2

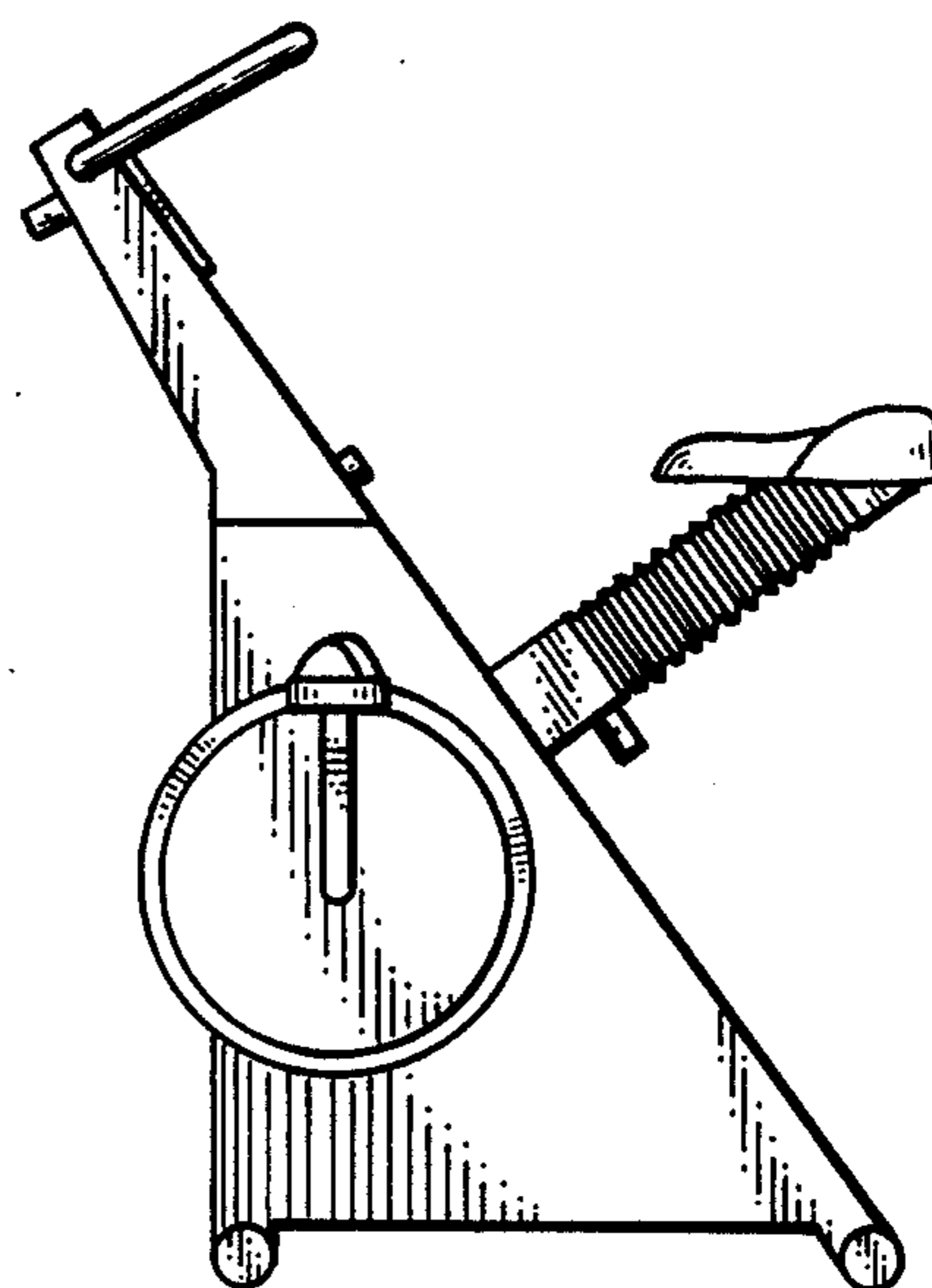


Fig. 3

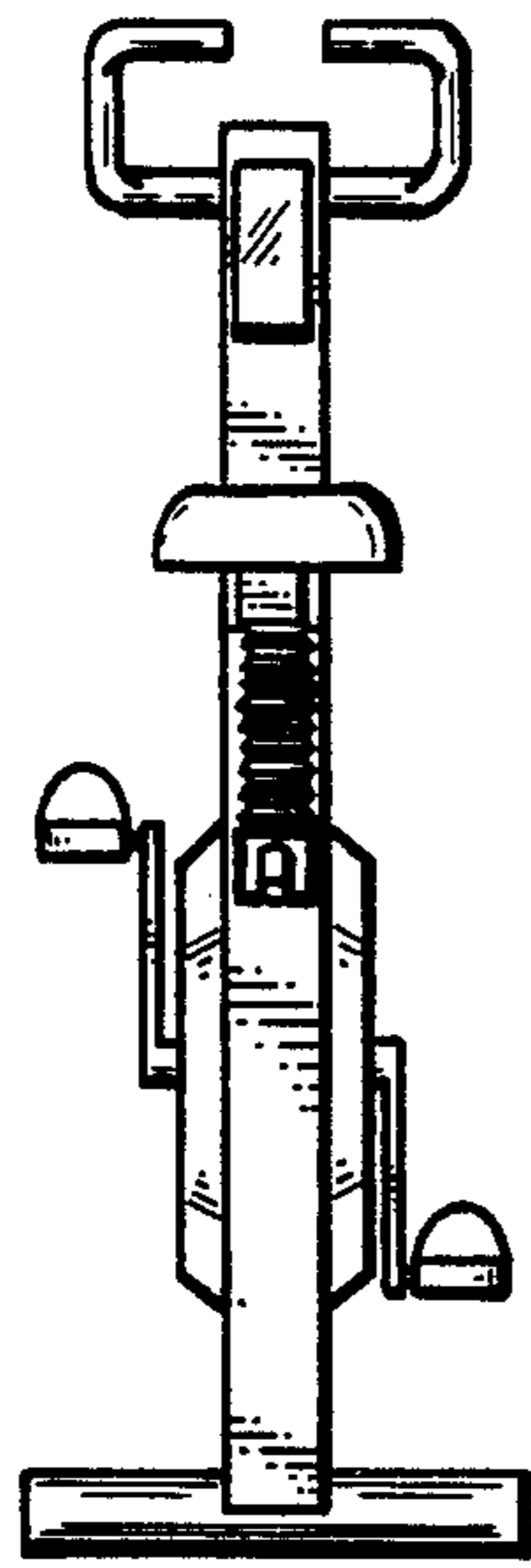


Fig. 4

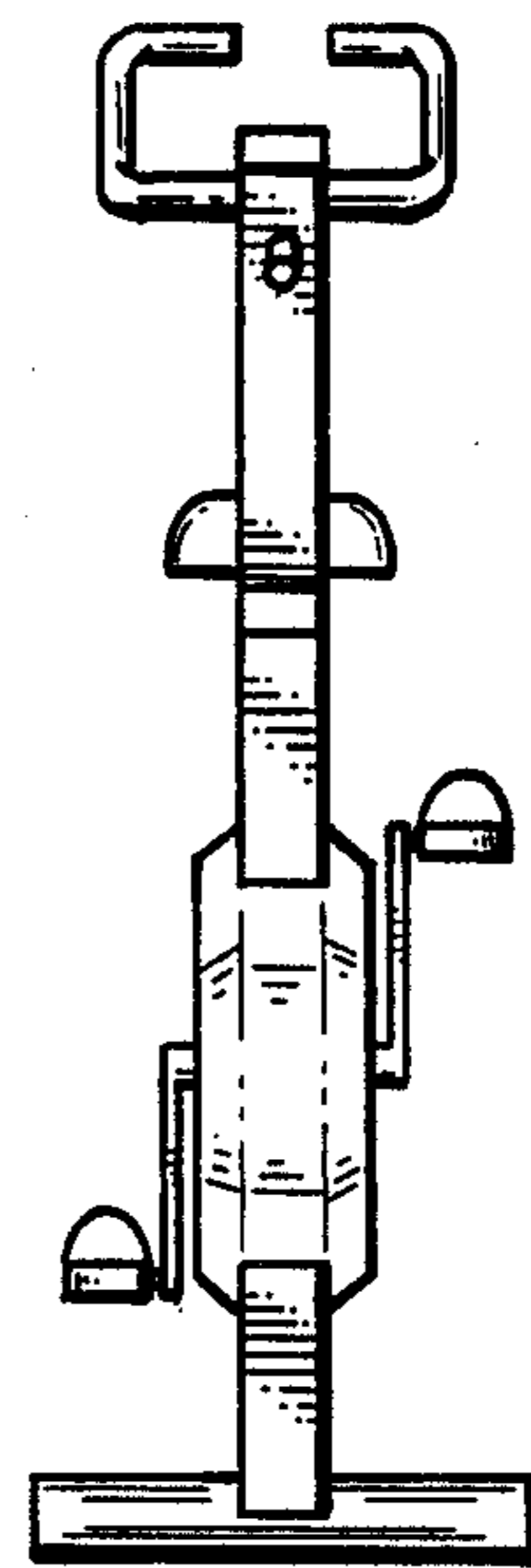


Fig. 5

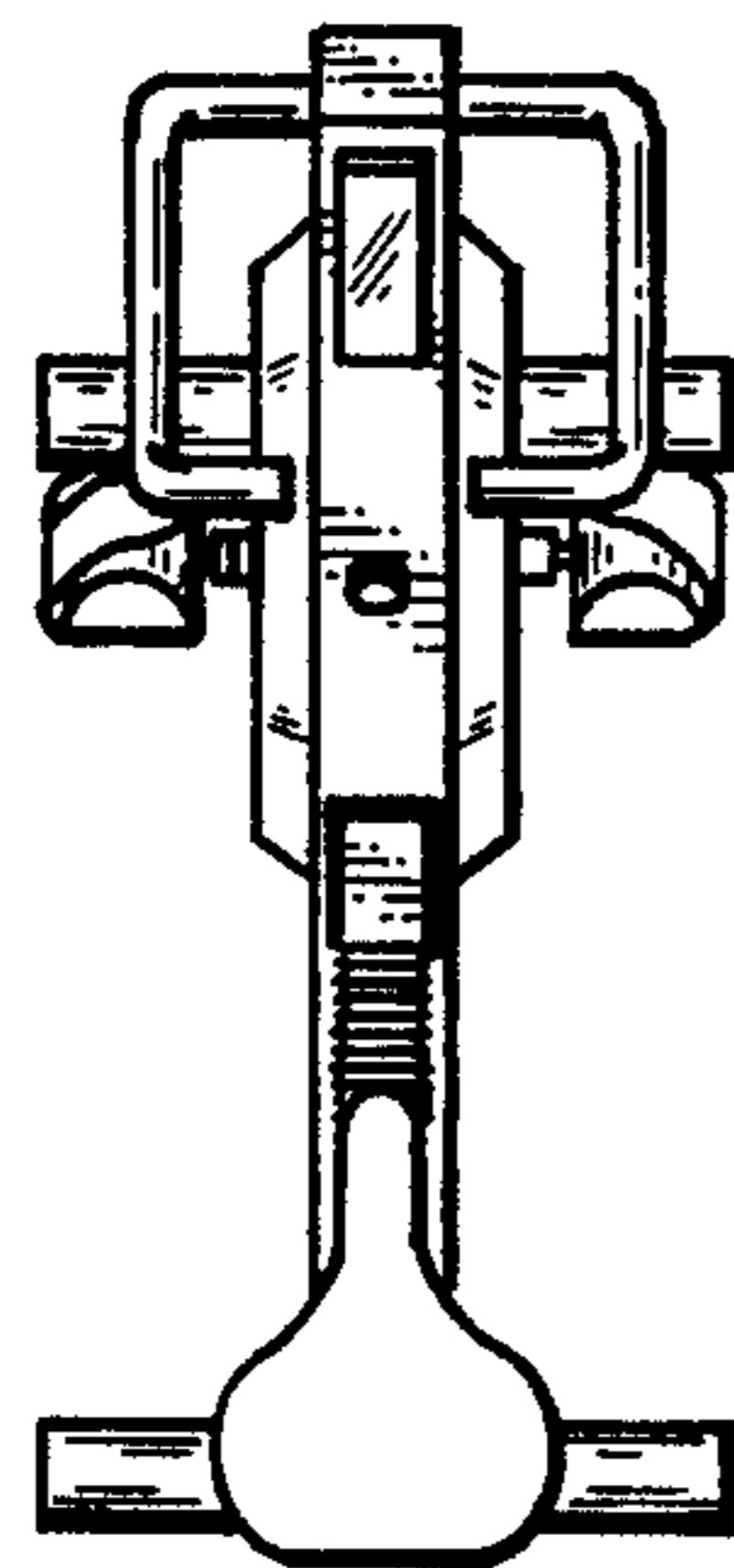


Fig. 6

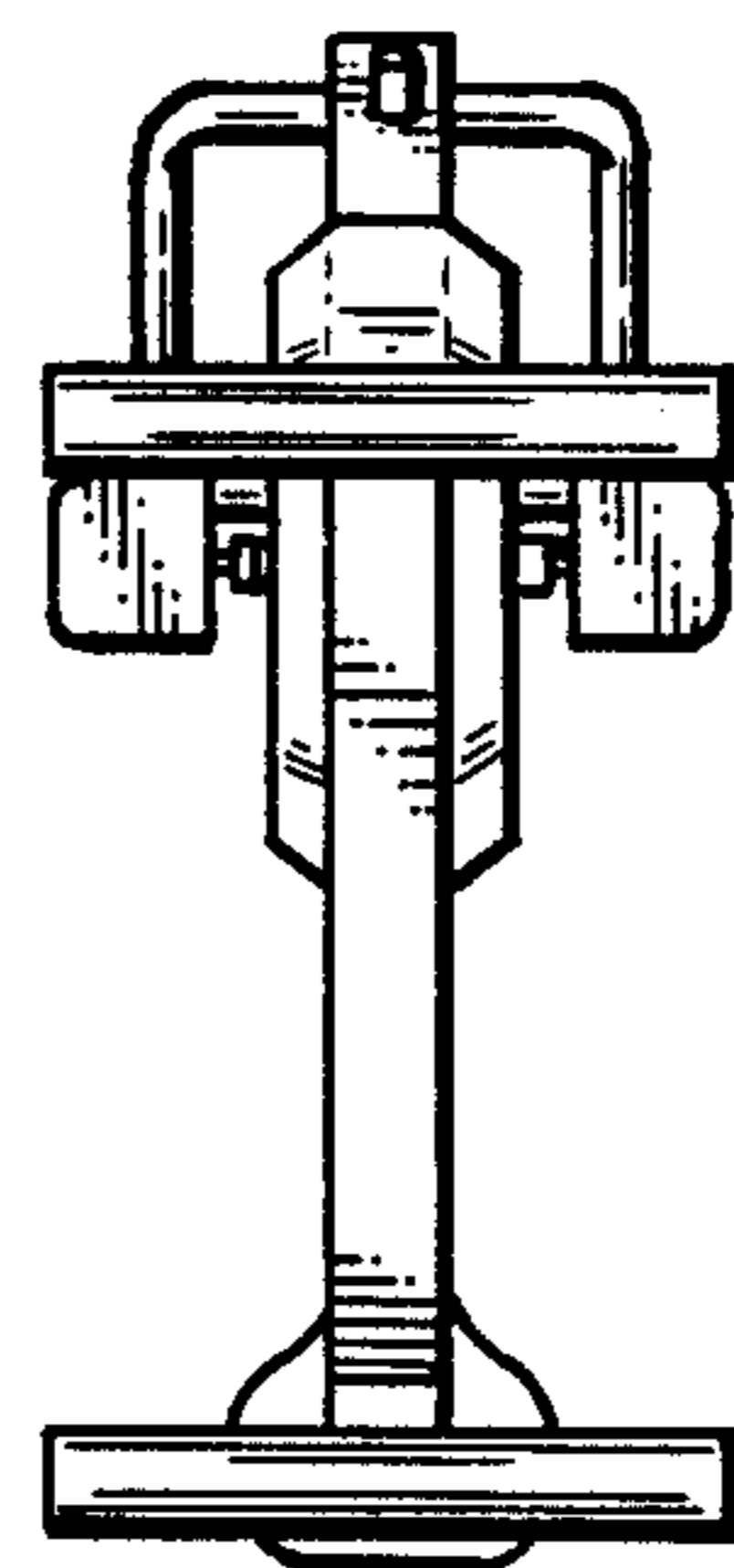


Fig. 7

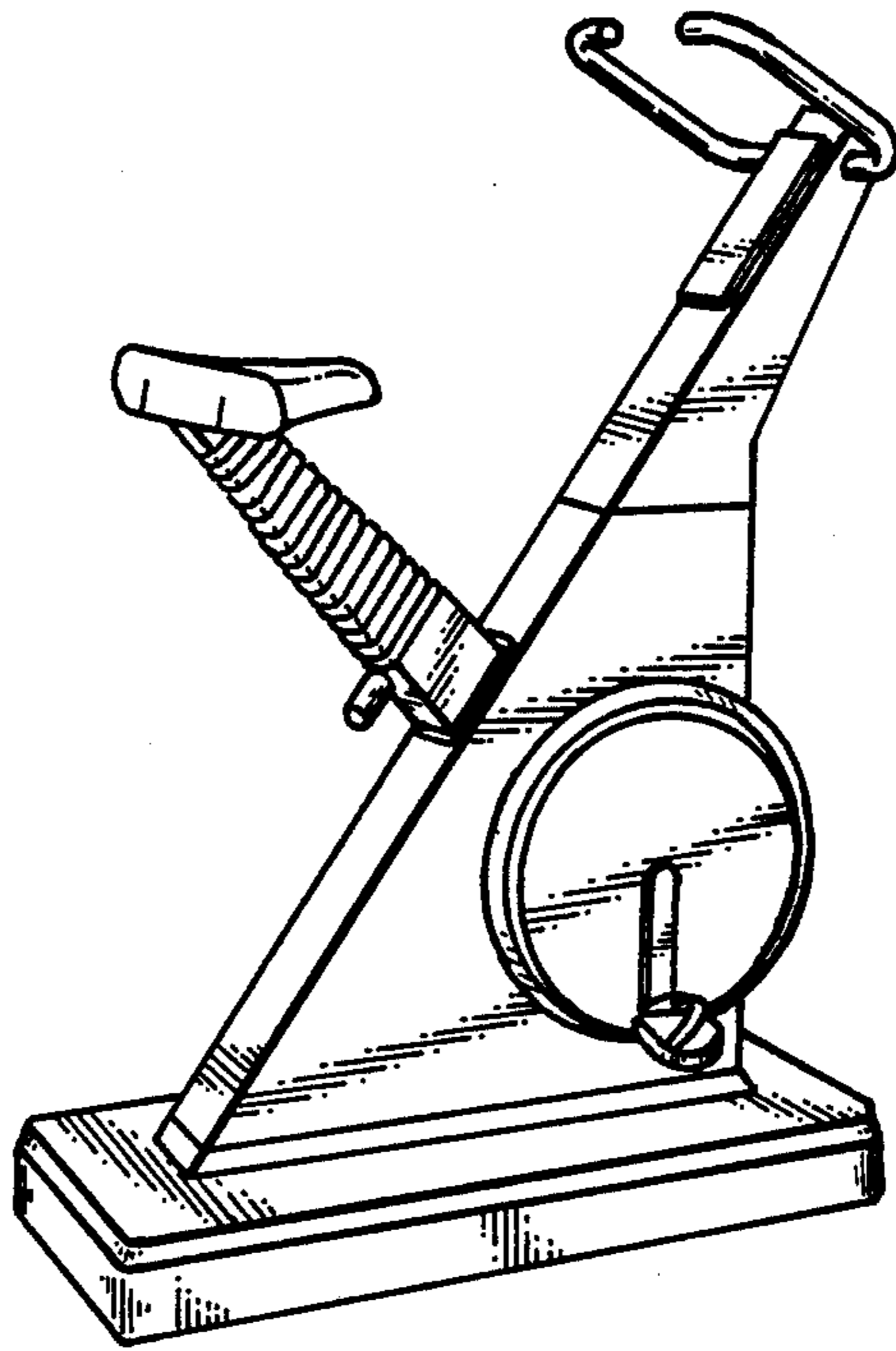


Fig. 8

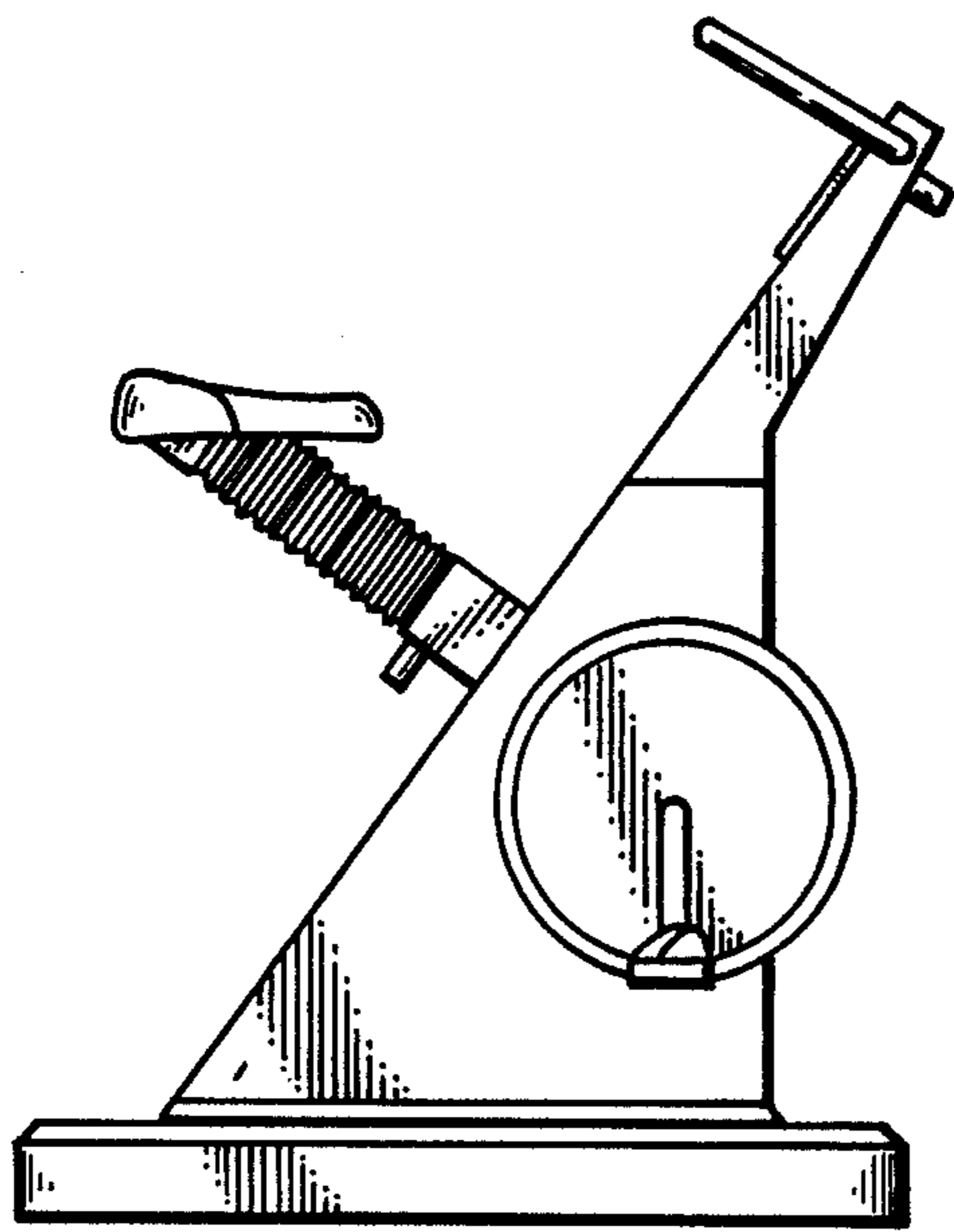


Fig. 9

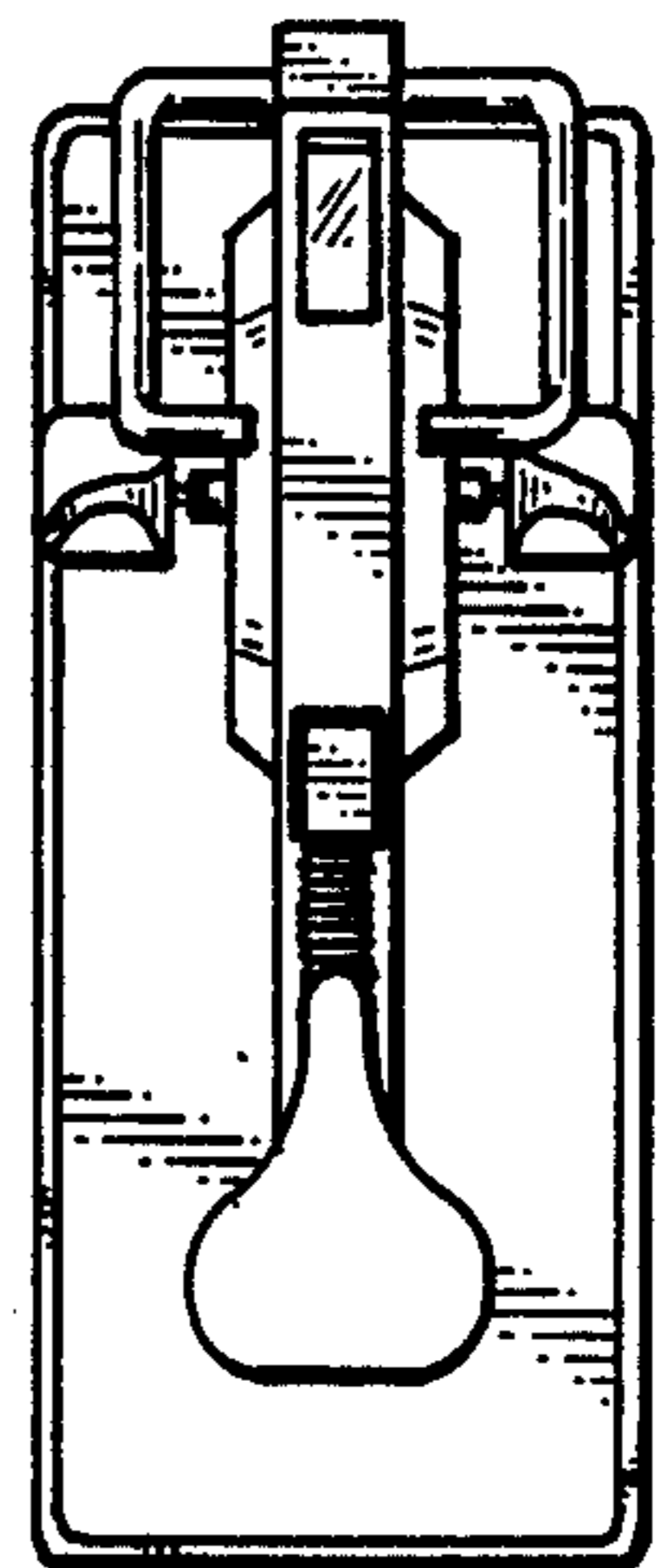


Fig. 10

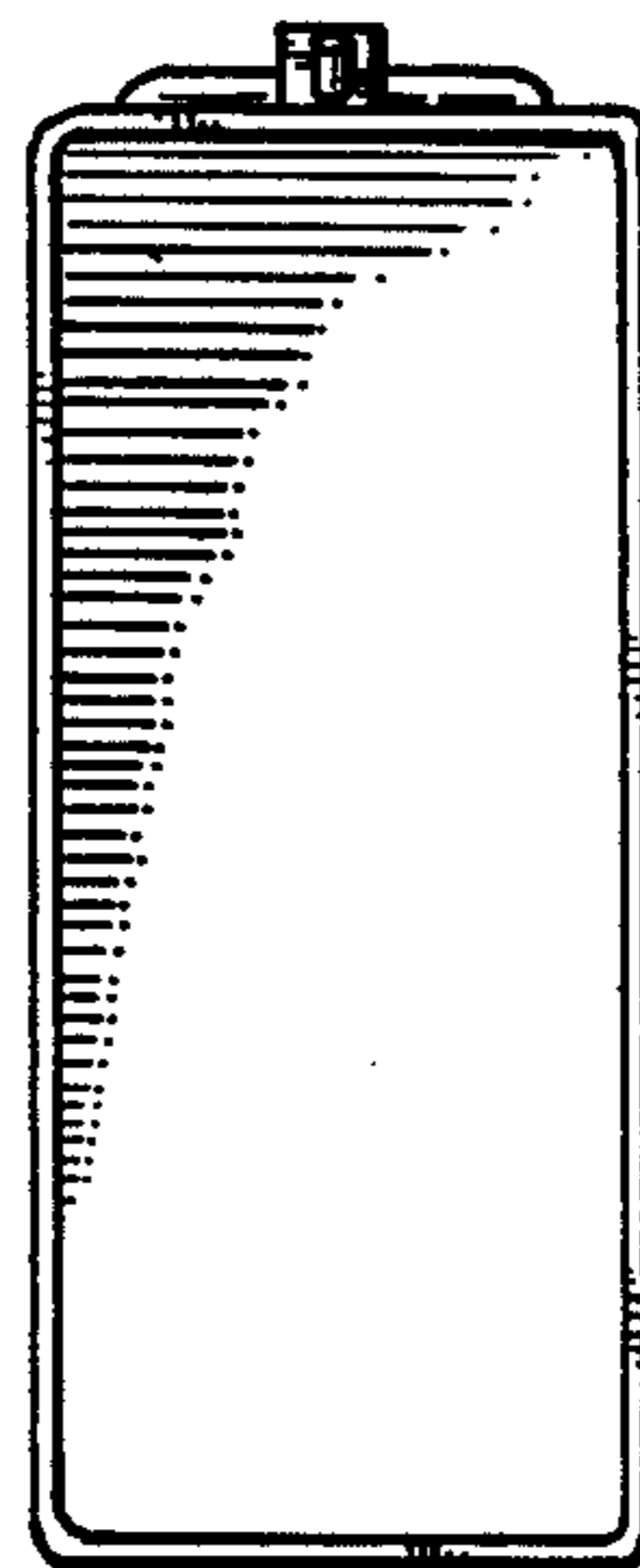


Fig. 11