

- [54] **COMBINED CRAYON CONTAINER AND COLORING STRIP**
- [75] **Inventor: Herbert B. Shattan, New York, N.Y.**
- [73] **Assignee: Bob Shattan Associates, Inc., New York, N.Y.**
- [\*\*] **Term: 14 Years**
- [21] **Appl. No.: 939,474**
- [22] **Filed: Dec. 8, 1986**
- [52] **U.S. Cl. .... D19/89; D19/36; D19/78**
- [58] **Field of Search ..... D19/35, 36, 75, 86, D19/77-78, 89; 206/1.7, 214**

[56] **References Cited**

**U.S. PATENT DOCUMENTS**

D. 84,805	8/1931	Baum	.....	D19/89	X
D. 118,936	2/1940	Guild	.....	D19/89	
D. 120,743	5/1940	Petzold	.....	D19/89	
D. 238,872	2/1976	Mori	.....	D19/89	
3,963,358	6/1976	Houser	.....	D19/89	X

*Primary Examiner*—Carmen H. Vales-Lado  
*Assistant Examiner*—Martha Thompson  
*Attorney, Agent, or Firm*—Ladas & Parry

[57] **CLAIM**

The ornamental design for a combined crayon container and coloring strip, as shown and described.

**DESCRIPTION**

FIG. 1 is a perspective view of a combined crayon container and coloring strip, with the lid member in place, showing my new design;

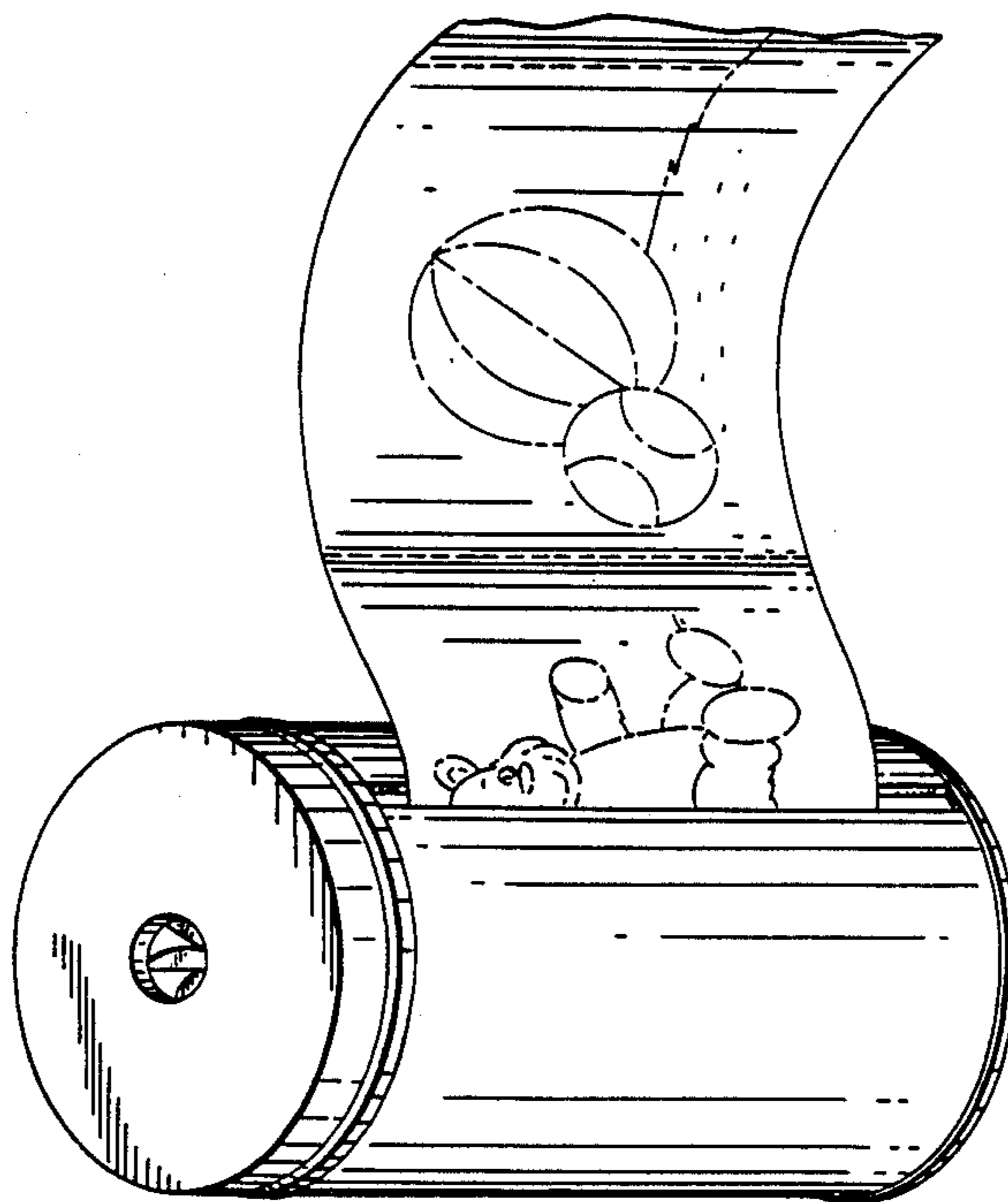
FIG. 2 is a top plan view with the coloring strip in a retracted position;

FIG. 3 is a top plan view with the lid member removed for convenience of illustration and the coloring strip partially extended; and

FIG. 4 is a side elevational view of FIG. 1 with the lid member removed.

The undisclosed bottom surface of the article is conventionally flat and unornamented.

The outline drawings depicted by means of broken lines in FIGS. 1 and 4 are for illustrative purposes only and form no part of the claimed design.



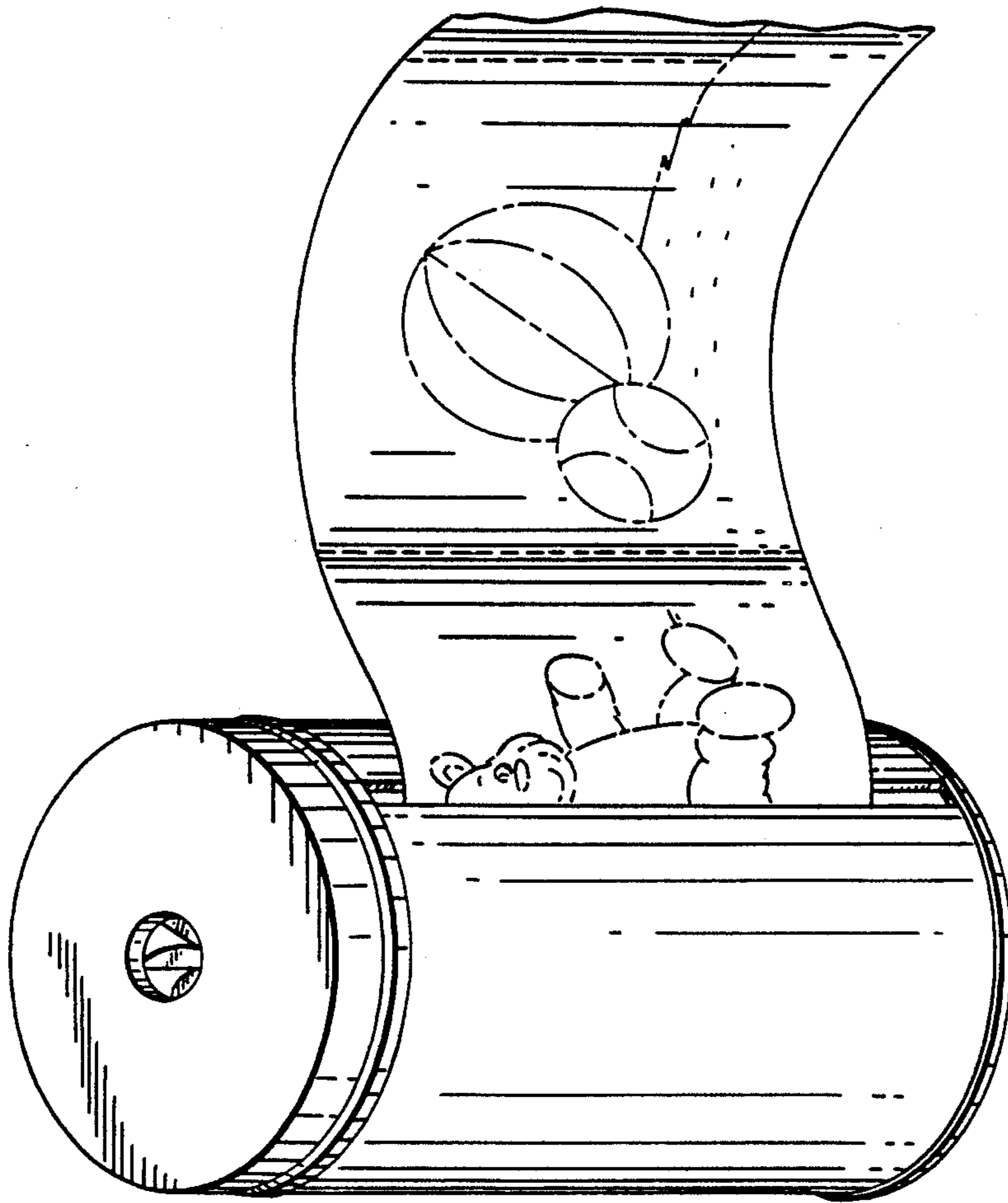


FIG.1

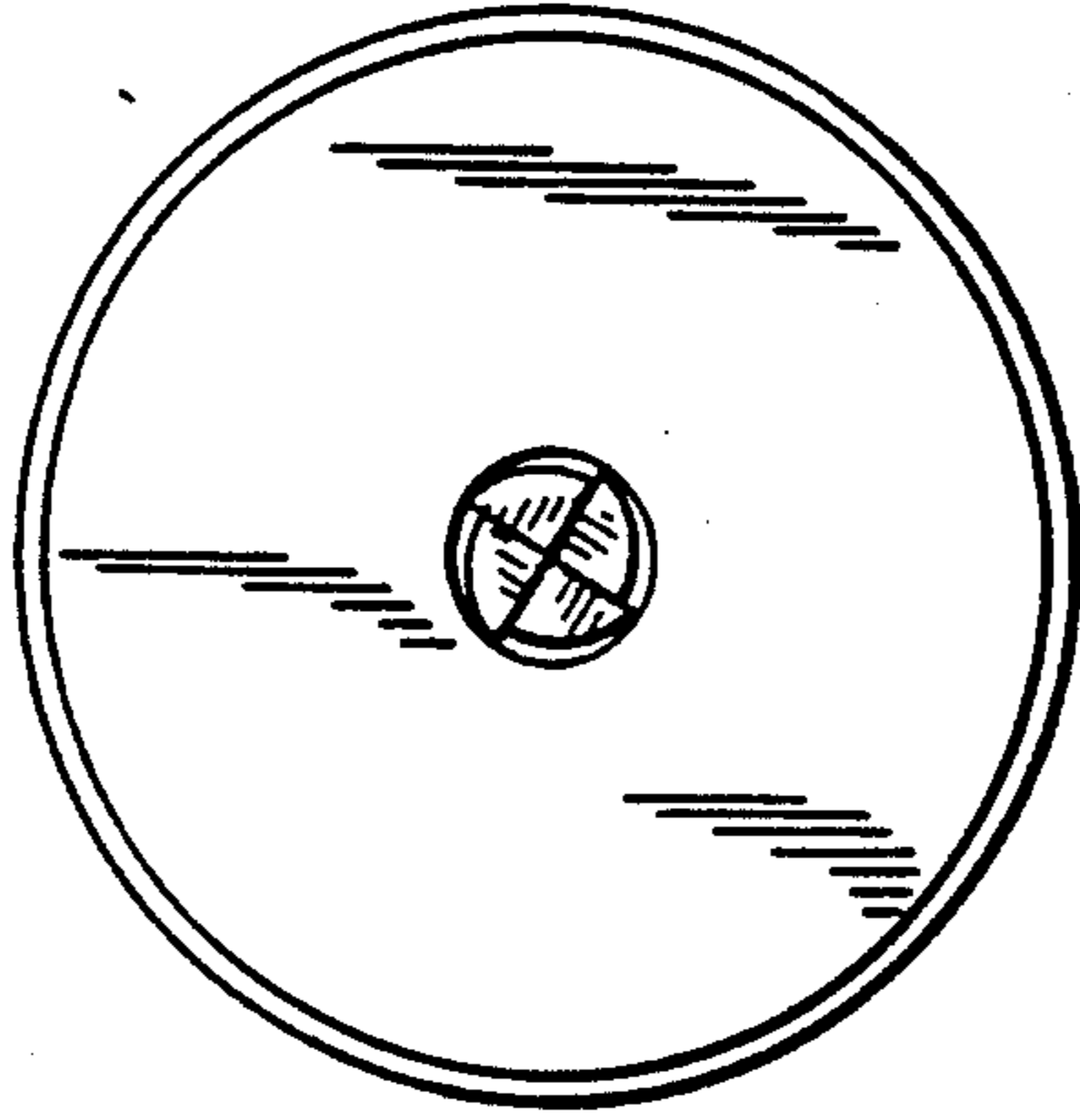


FIG. 2

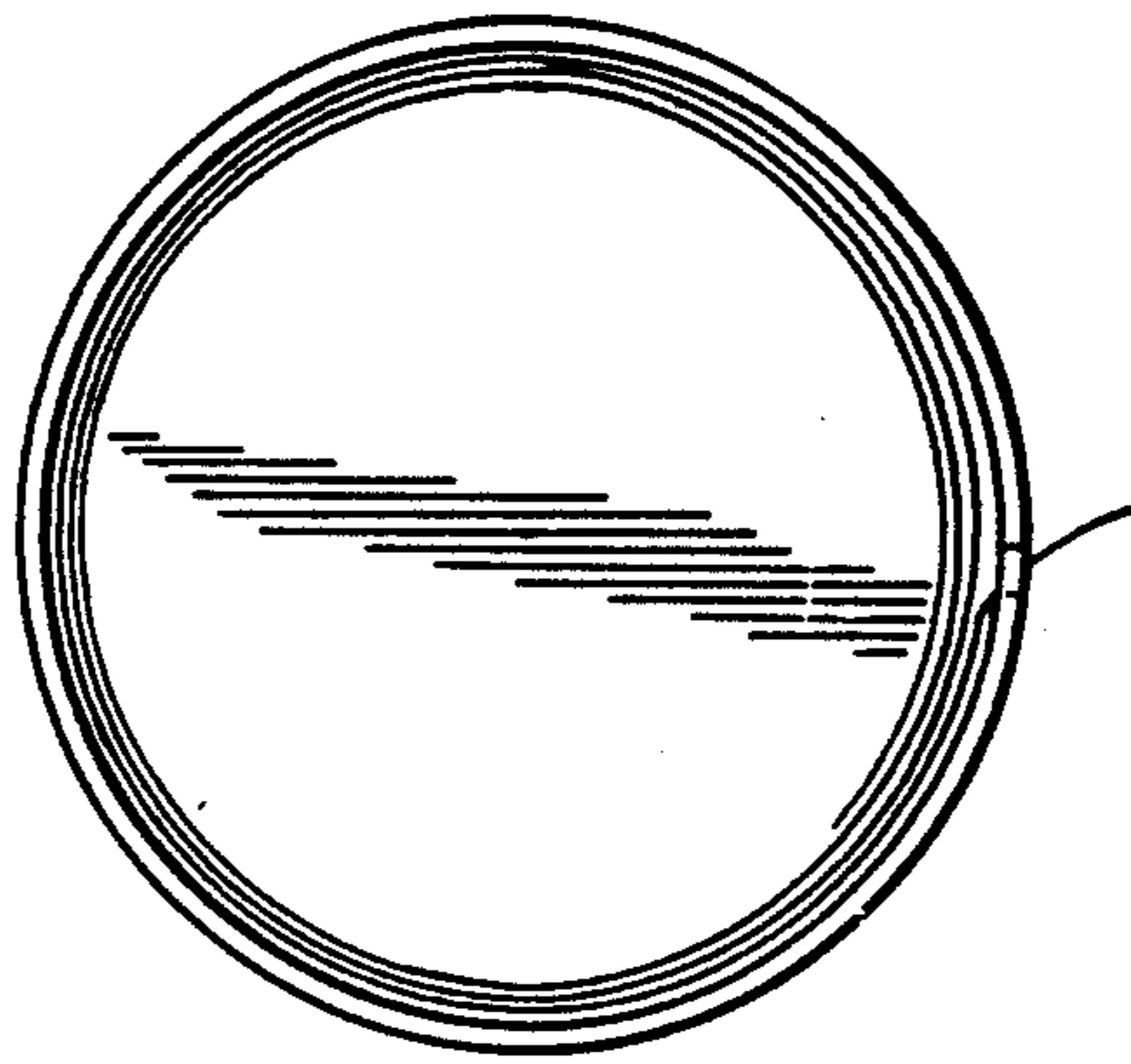


FIG. 3

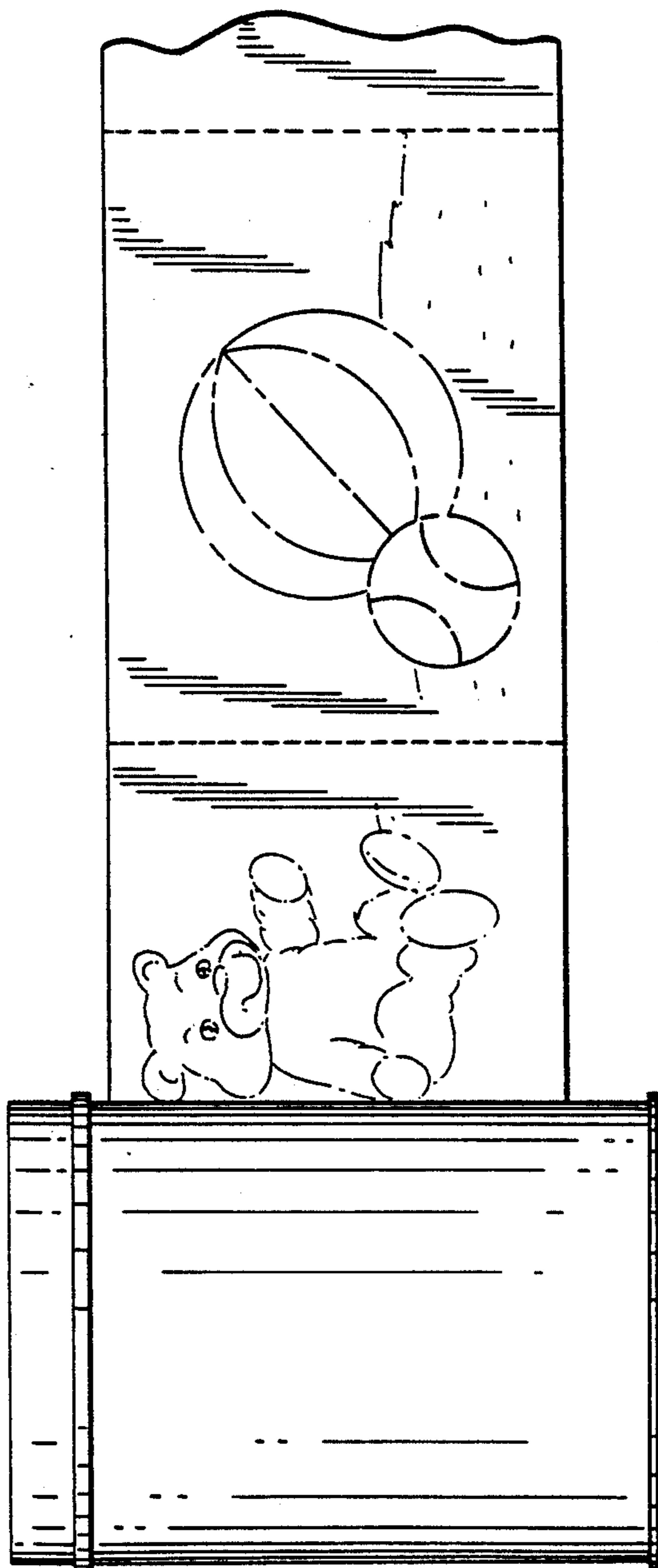


FIG. 4