

United States Patent [19]

Kuwabara

[11] **Patent Number: Des. 309,156**

[45] **Date of Patent: ** Jul. 10, 1990**

[54] **CHALK MARKER**

[75] **Inventor: Junichi Kuwabara, Osaka, Japan**

[73] **Assignee: Clover Manufacturing Co., Ltd.,
Osaka, Japan**

[**] **Term: 14 Years**

[21] **Appl. No.: 20,674**

[22] **Filed: Mar. 2, 1987**

[52] **U.S. Cl. D19/41; D19/35;
D19/49**

[58] **Field of Search D19/35, 36, 41-51,
D19/54-58; 401/195, 59, 60, 4, 5**

[56] **References Cited**

U.S. PATENT DOCUMENTS

D. 140,953 4/1945 Inquier D19/41
D. 221,812 9/1971 Locatelli D19/41
522,433 7/1894 Schaefer 401/195 X

1,995,142 3/1935 Barden 401/5
2,105,621 1/1938 Testi 401/4
3,708,236 1/1973 Greenwood 401/60
4,579,134 4/1986 Moore 401/59
4,622,985 11/1986 Jankewitz 401/59

Primary Examiner—Nelson C. Holtje

Assistant Examiner—Martha Thompson

[57] **CLAIM**

The ornamental design for a chalk marker, as shown and described.

DESCRIPTION

FIG. 1 is a perspective view of a chalk marker showing my new design;

FIG. 2 is a front elevational view;

FIG. 3 is a rear elevational view;

FIG. 4 is a top plan view;

FIG. 5 is a bottom plan view;

FIG. 6 is a right side elevational view; and

FIG. 7 is a left side elevational view thereof.

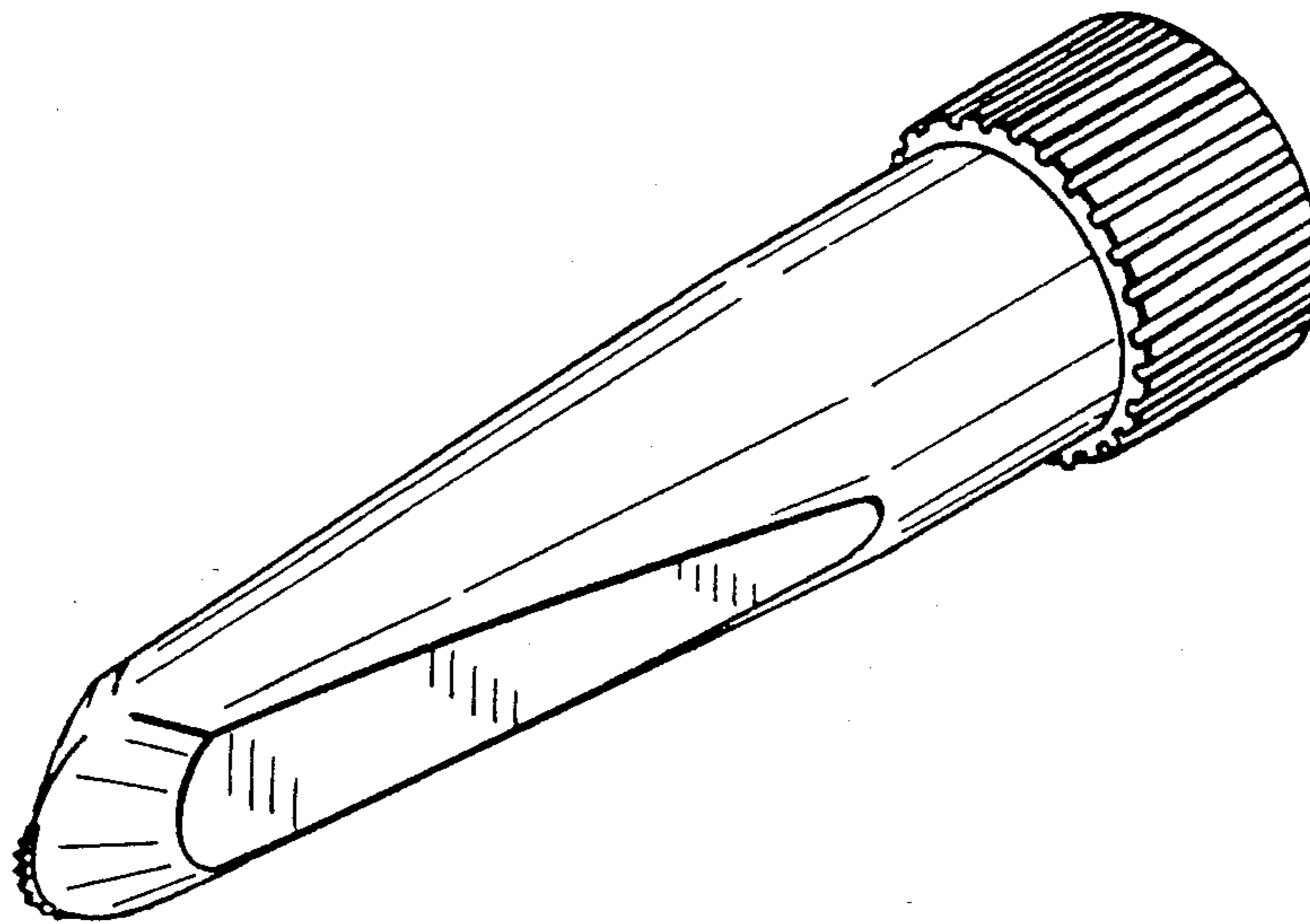


FIG. 1

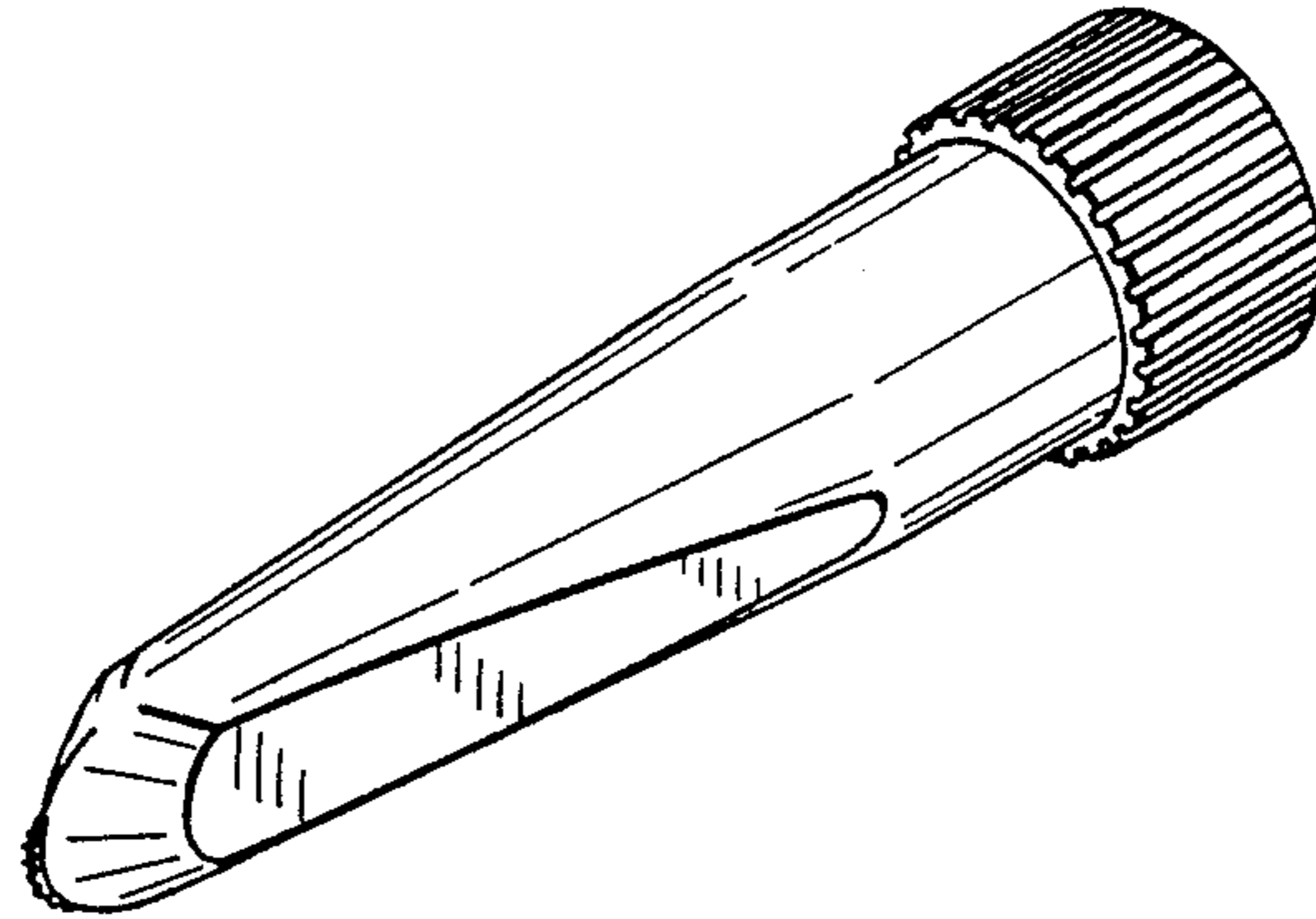


FIG. 2

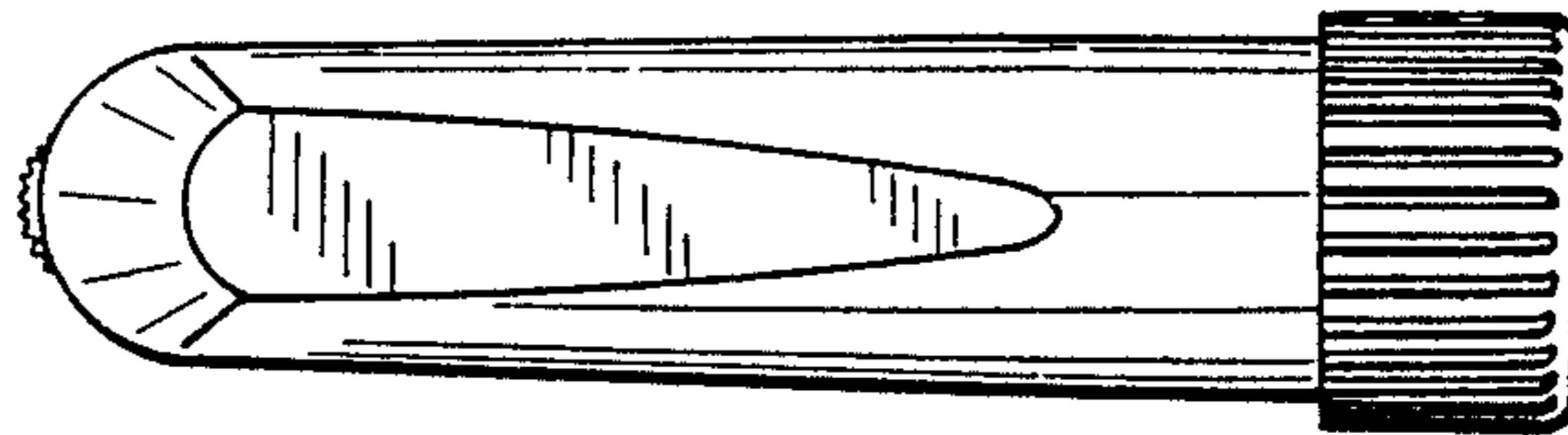


FIG. 3

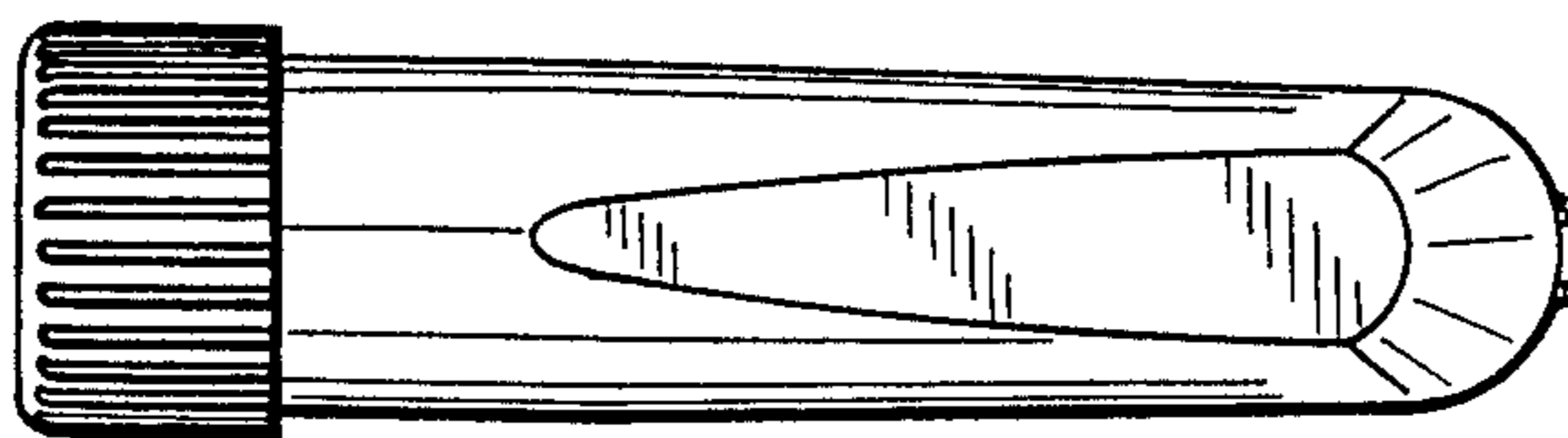


FIG. 4

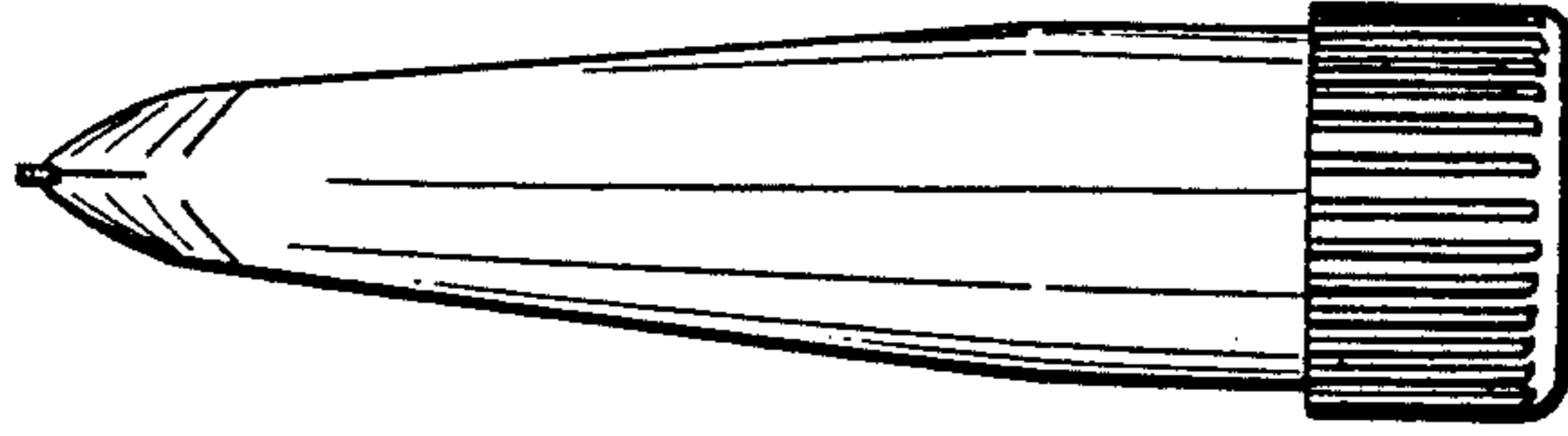


FIG. 5



FIG. 6

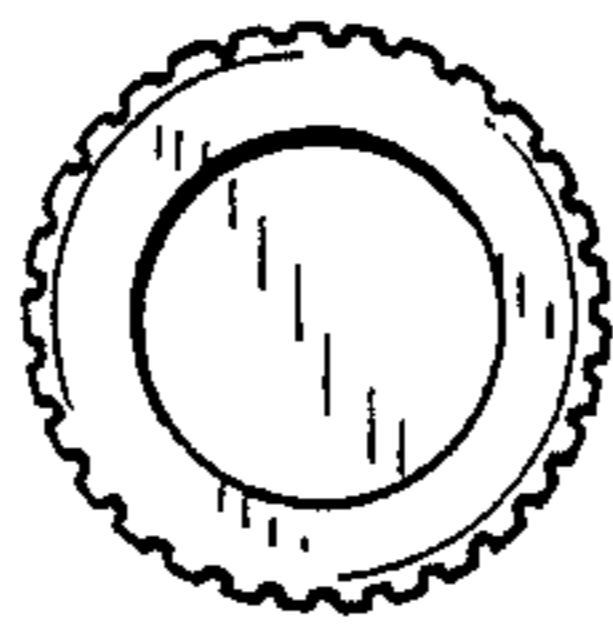


FIG. 7

