

[54] VERTICAL MILLING CENTER
[75] Inventor: Winfried Nemetz, Oberalm, Austria
[73] Assignee: Maier & Co. Fabrik Fuer
Spezialmaschinen, Hallein, Austria

[**] Term: 14 Years

[21] Appl. No.: 190,514

[22] Filed: May 5, 1988

[30] Foreign Application Priority Data

Jan. 15, 1988 [AT] Austria 18907

[52] U.S. Cl. D15/131

[58] Field of Search D15/130, 131, 122;
29/279, 276, 40, 568; 409/134; 408/35, 31, 241
G; 82/120, 121; 74/608, 609

[56] References Cited

U.S. PATENT DOCUMENTS

D. 299,828 2/1989 Kronthaler D15/130
D. 302,163 7/1989 Itoh et al. D15/122

3,473,419 10/1969 Ollearo 408/35
3,703,112 11/1972 Selby 82/127
3,821,835 7/1974 St. Andre et al. 408/35
3,830,584 8/1974 Ohlig et al. 408/35
3,975,109 8/1976 Frazierr 408/35
4,196,506 4/1980 Reed 29/568
4,576,069 3/1986 Bazuin 82/121
4,597,144 7/1986 Frank et al. 408/35 X

Primary Examiner—Carmen H. Vales-Lado

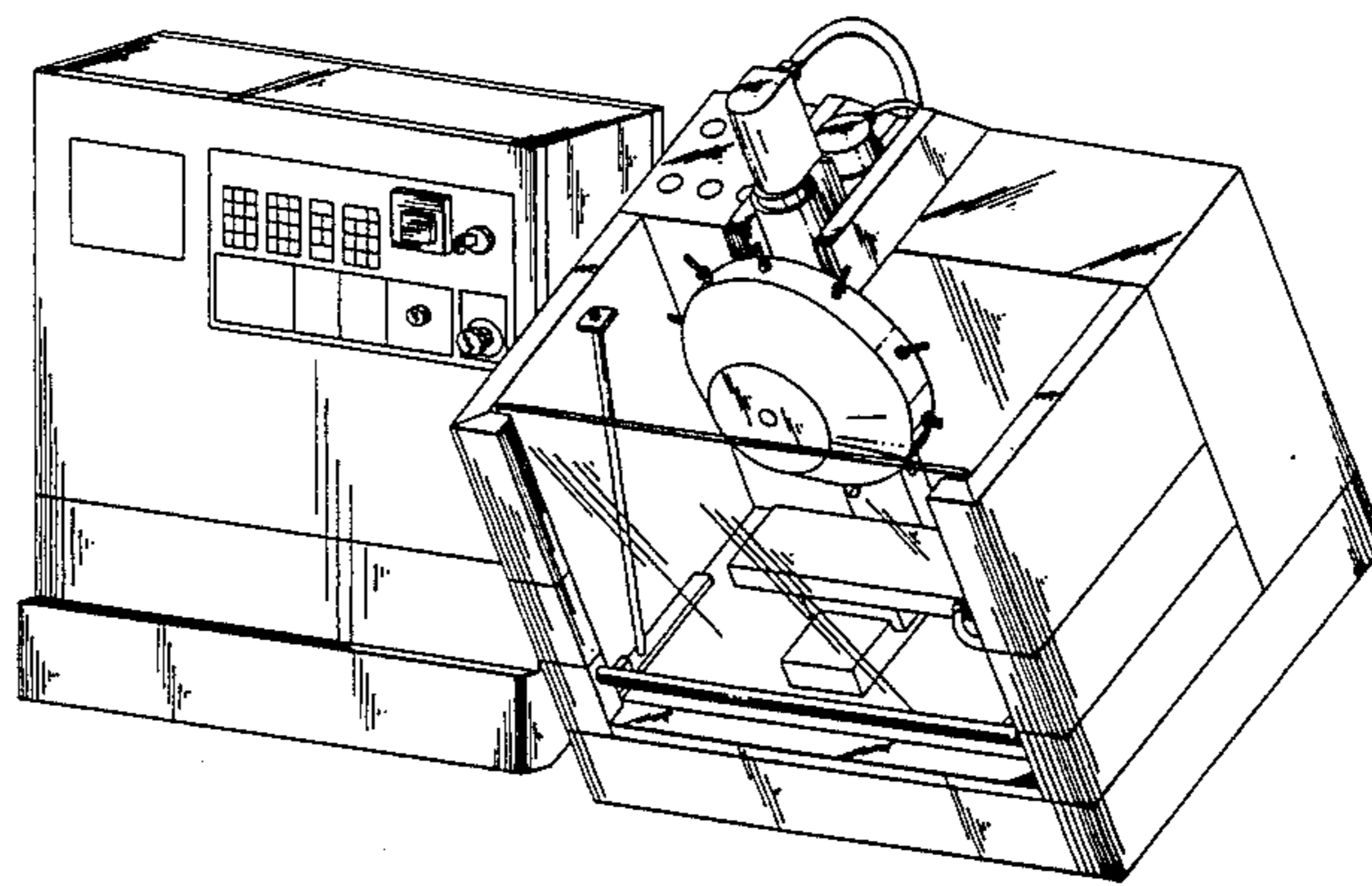
Assistant Examiner—Jeffrey Asch

[57] CLAIM

The ornamental design for a vertical milling center, as shown.

DESCRIPTION

FIG. 1 is a front perspective view of a vertical milling center showing my new design;
FIG. 2 is a front elevational view;
FIG. 3 is a right side elevational view;
FIG. 4 is a left side elevational view;
FIG. 5 is a rear elevational view; and
FIG. 6 is a top plan view thereof.



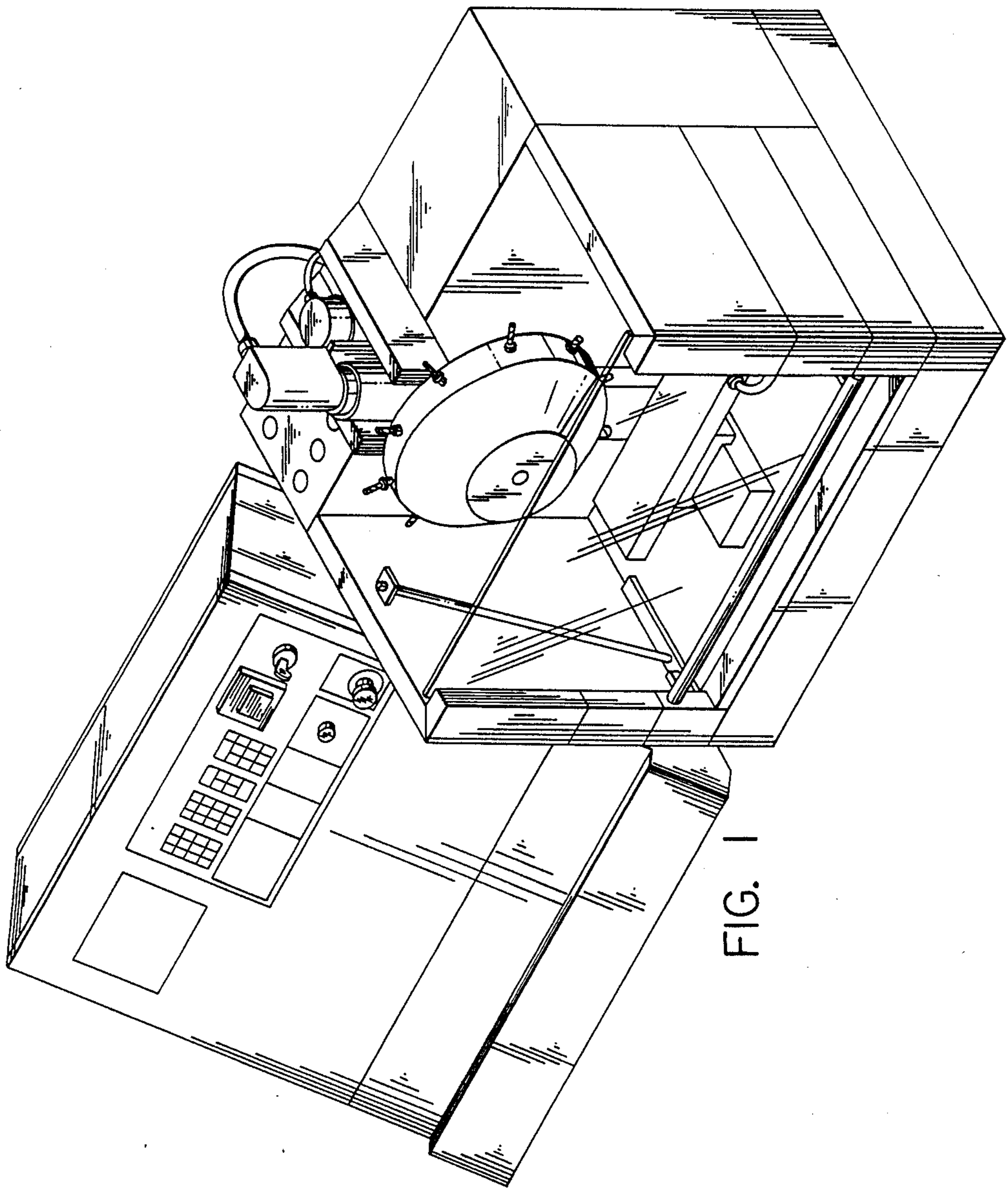


FIG. 1

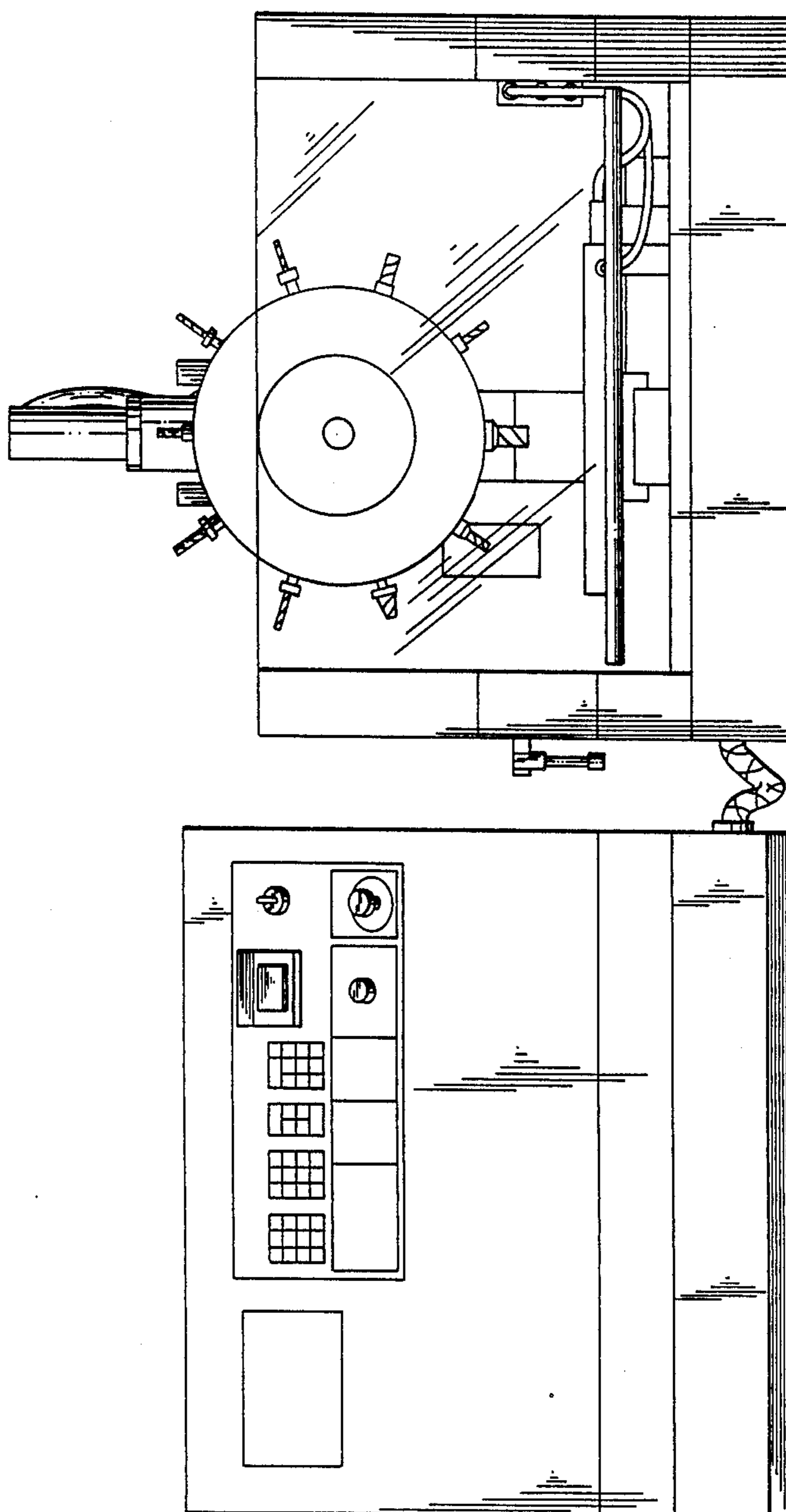


FIG. 2

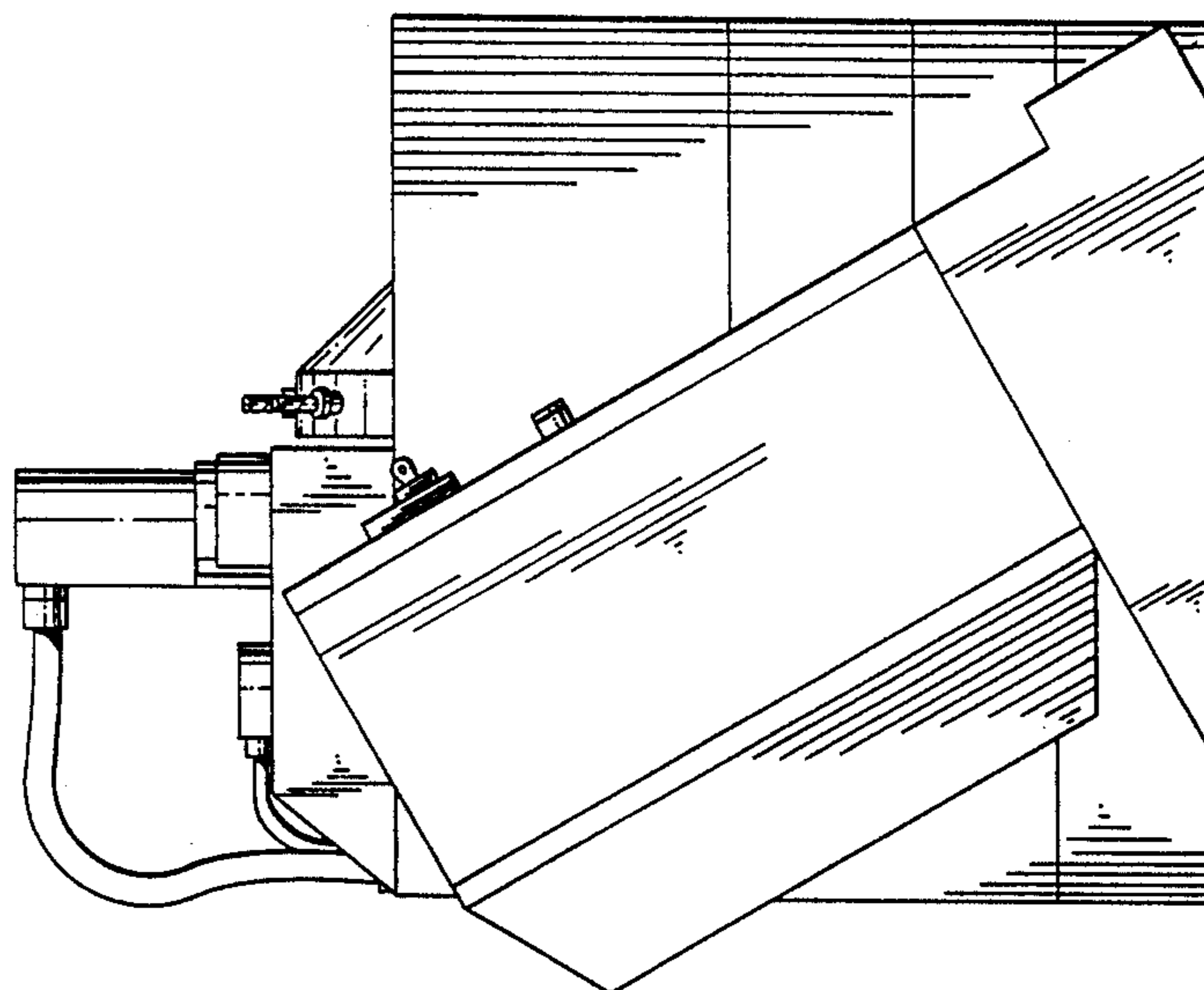


FIG. 4

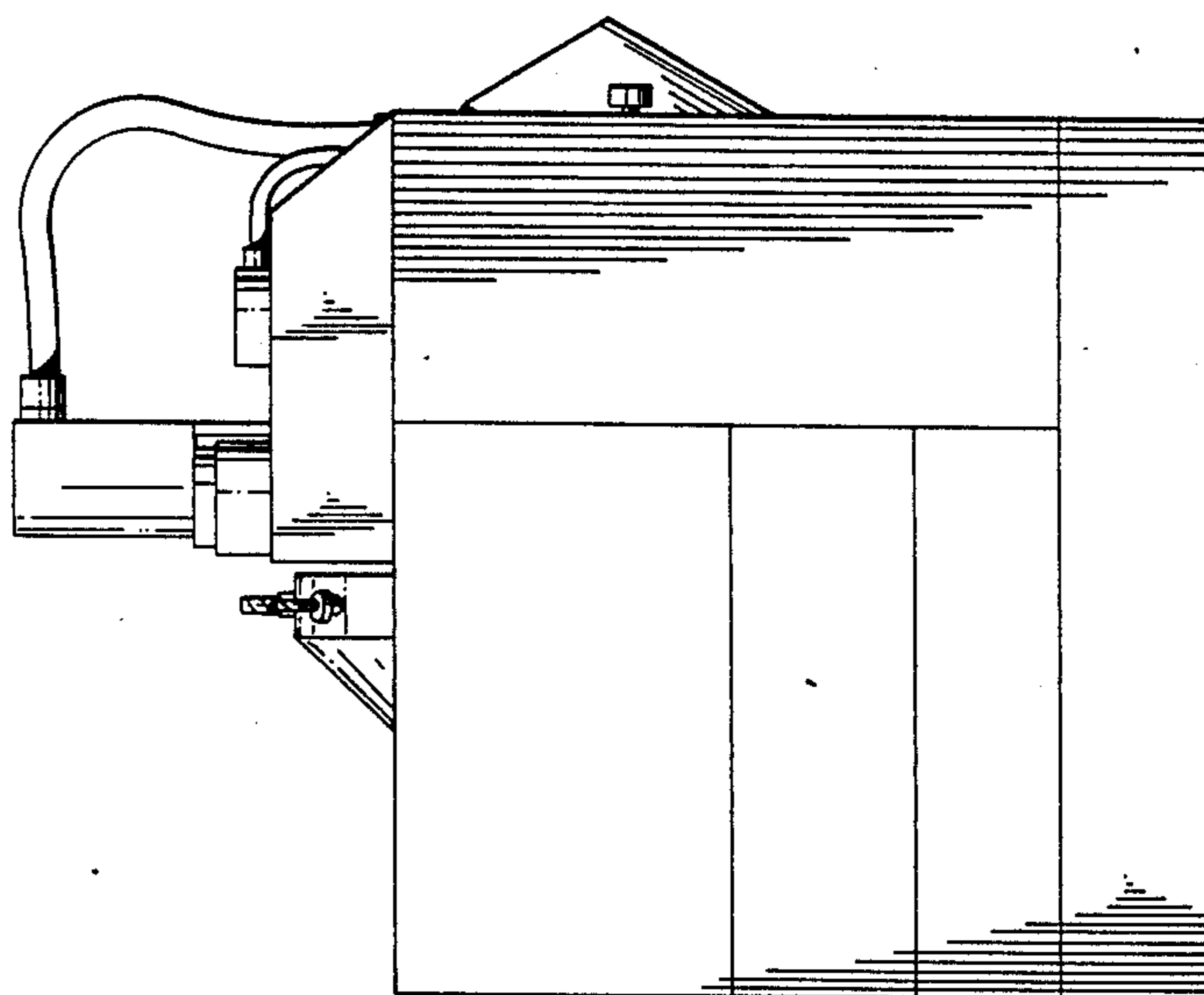


FIG. 3

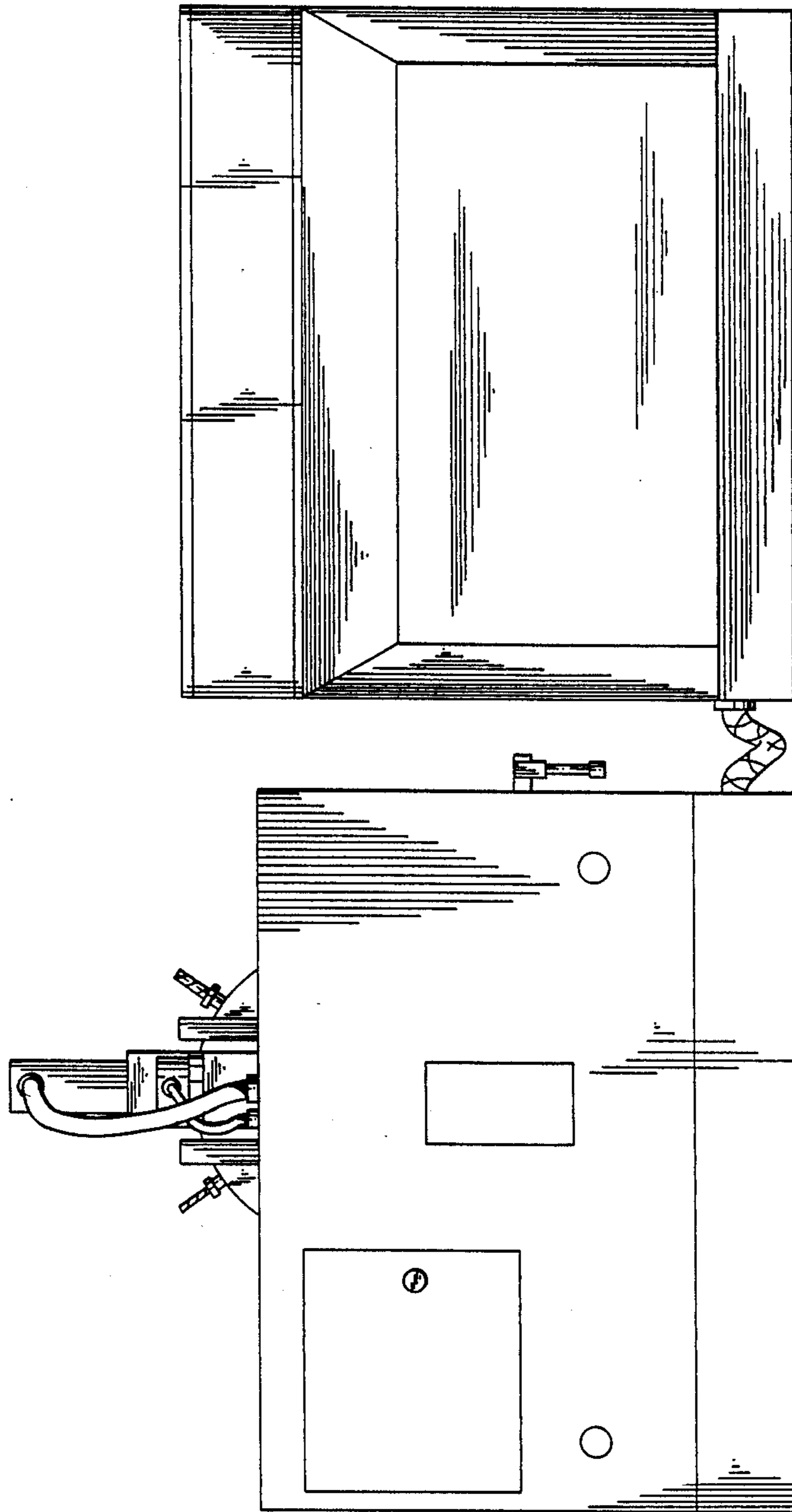


FIG. 5

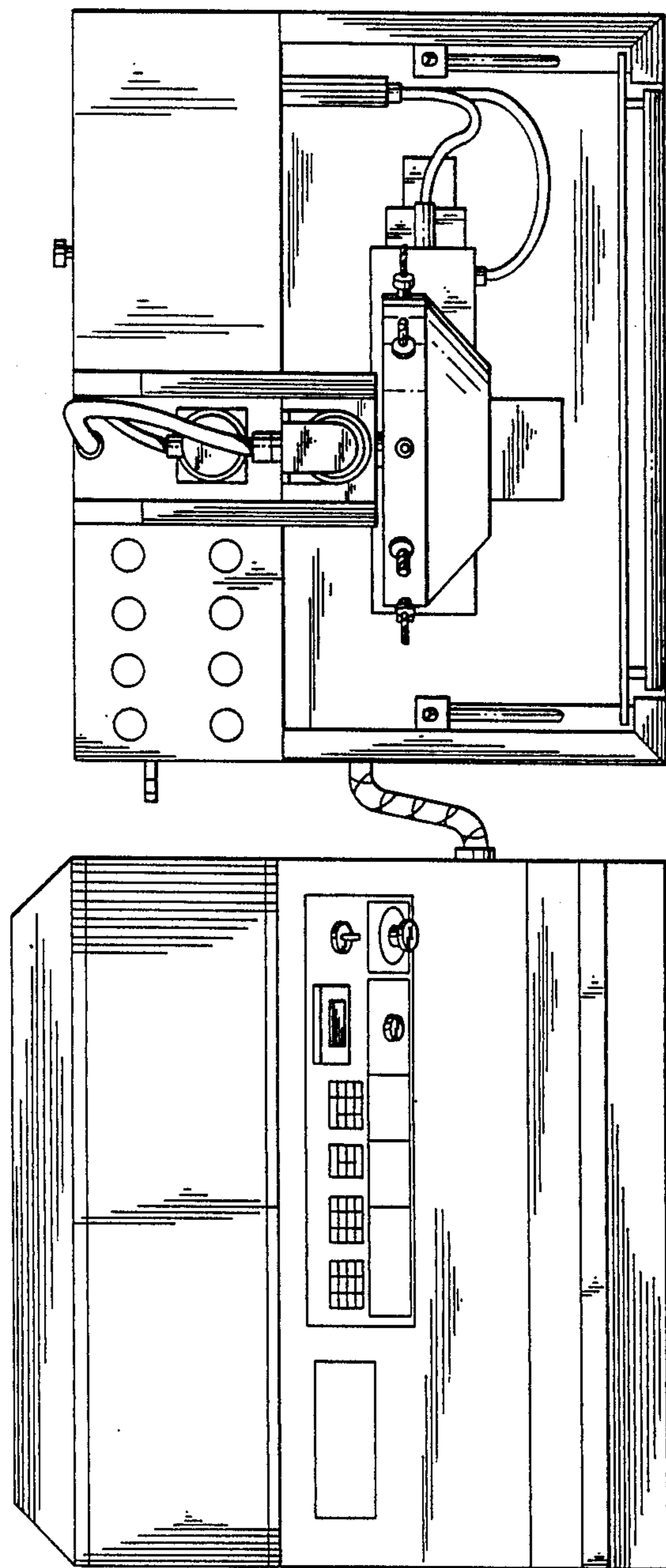


FIG. 6