

[54] STROKE SANDER

[75] Inventor: John E. Miller, Jr., Kansas City, Mo.

[73] Assignee: Woodmaster Tools, Inc., Kansas City, Mo.

[**] Term: 14 Years

[21] Appl. No.: 178,072

[22] Filed: Apr. 5, 1988

[52] U.S. Cl. D15/124

[58] Field of Search D10/46; D14/107; D15/124; 51/143, 137, 135 BT

[56] References Cited

U.S. PATENT DOCUMENTS

D. 284,863	7/1986	Miller, Jr.	D15/124
1,635,399	7/1927	Fischer	51/137
3,893,265	7/1975	Elm et al.	51/143
4,021,970	5/1977	Przygocki	51/135 BT X

FOREIGN PATENT DOCUMENTS

182330	6/1955	Fed. Rep. of Germany	51/143
949453	9/1956	Fed. Rep. of Germany	51/137
3217935	11/1983	Fed. Rep. of Germany	51/137

OTHER PUBLICATIONS

Mini Max, 5933 Peachtree Industrial Boulevard, Norcross, Georgia—Shown in "Woodshop News", Dec. 1987.

Primary Examiner—Nelson C. Holtje
Assistant Examiner—Jeffrey Asch
Attorney, Agent, or Firm—Hovey, Williams, Timmons & Collins

[57] CLAIM

The ornamental design for a stroke sander, as shown.

DESCRIPTION

FIG. 1 is a top, front and left side perspective view of a stroke sander showing my new design;
FIG. 2 is a top, rear, and right side perspective view; and,
FIG. 3 is a top, rear and left side perspective view thereof.

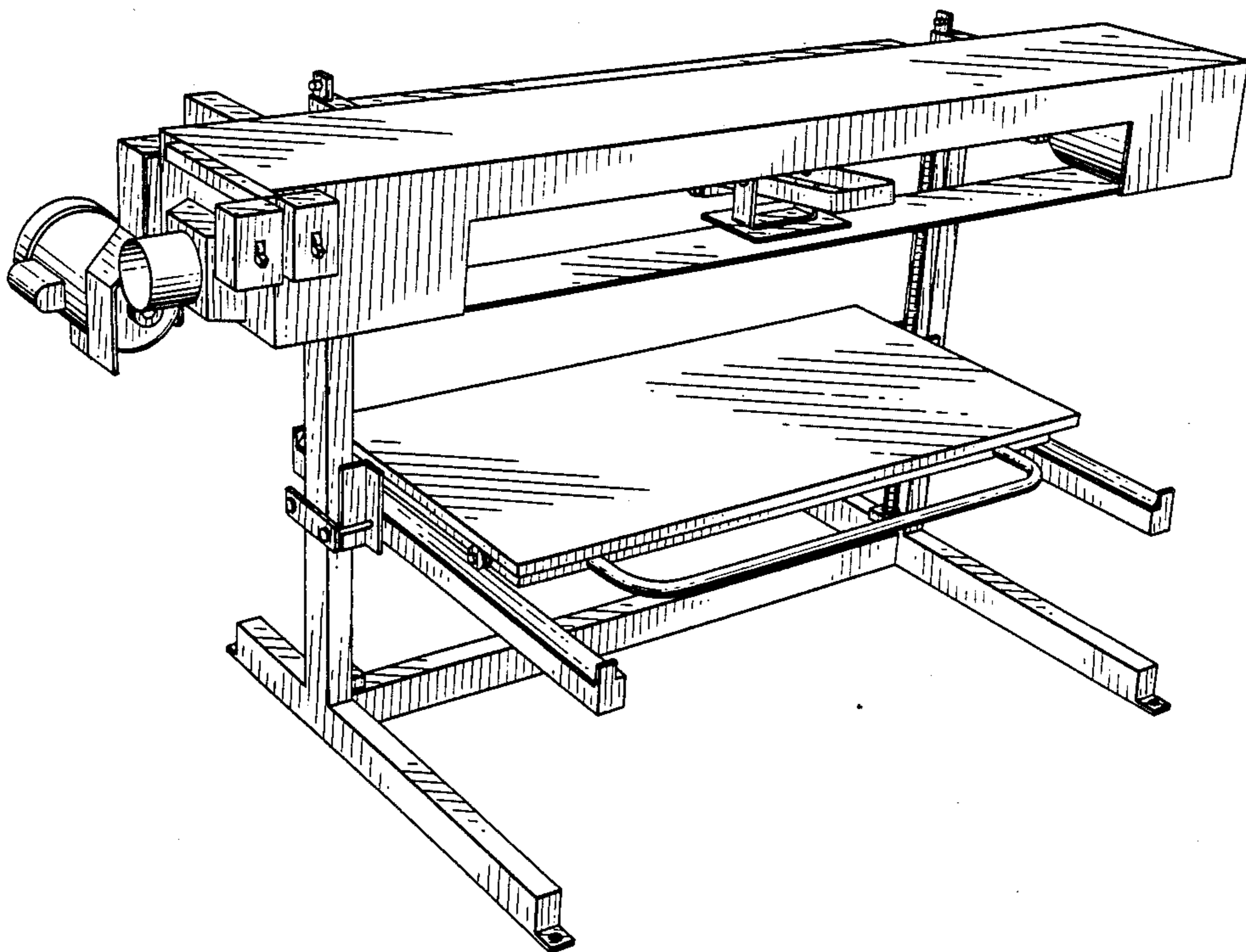
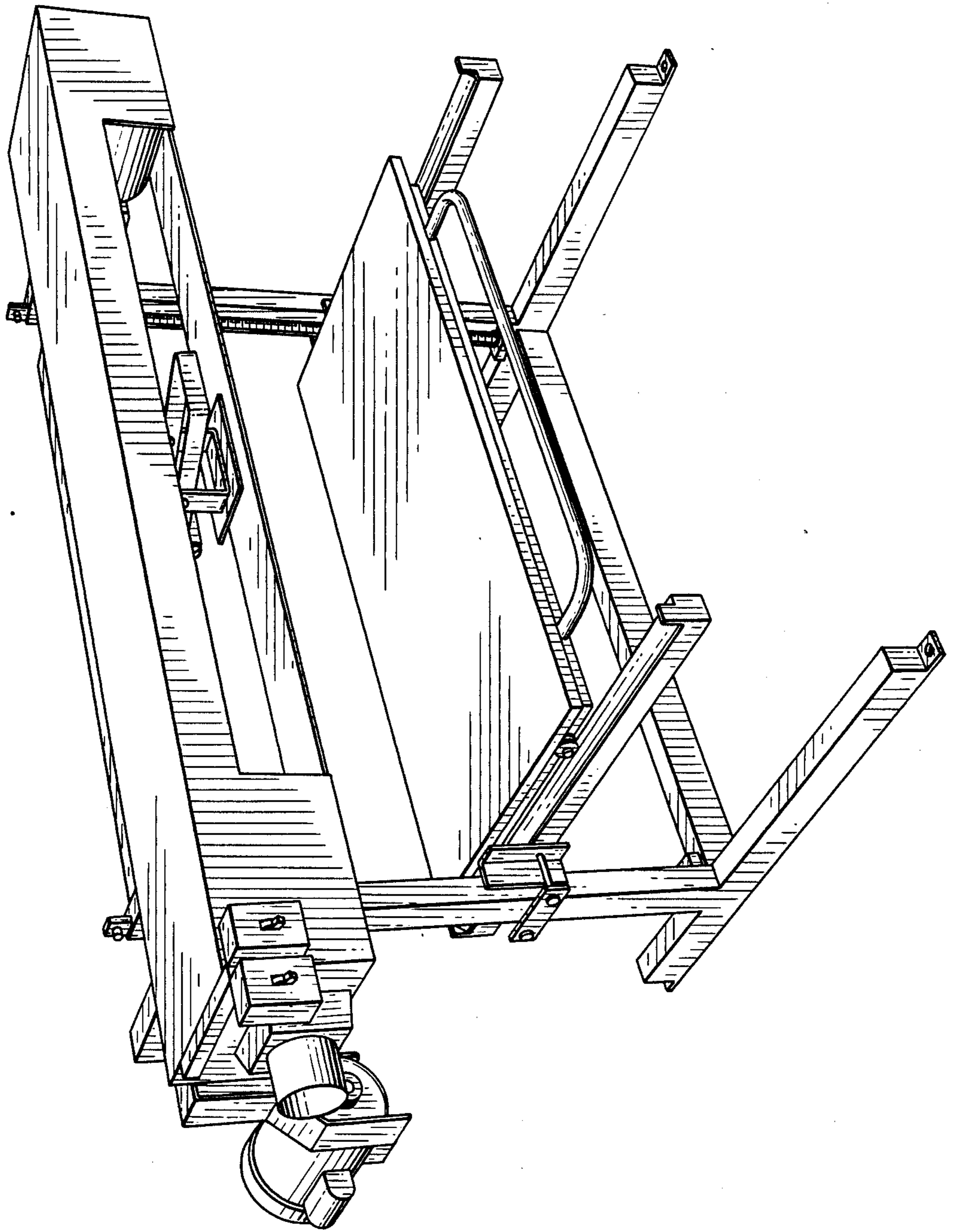


Fig. 1.



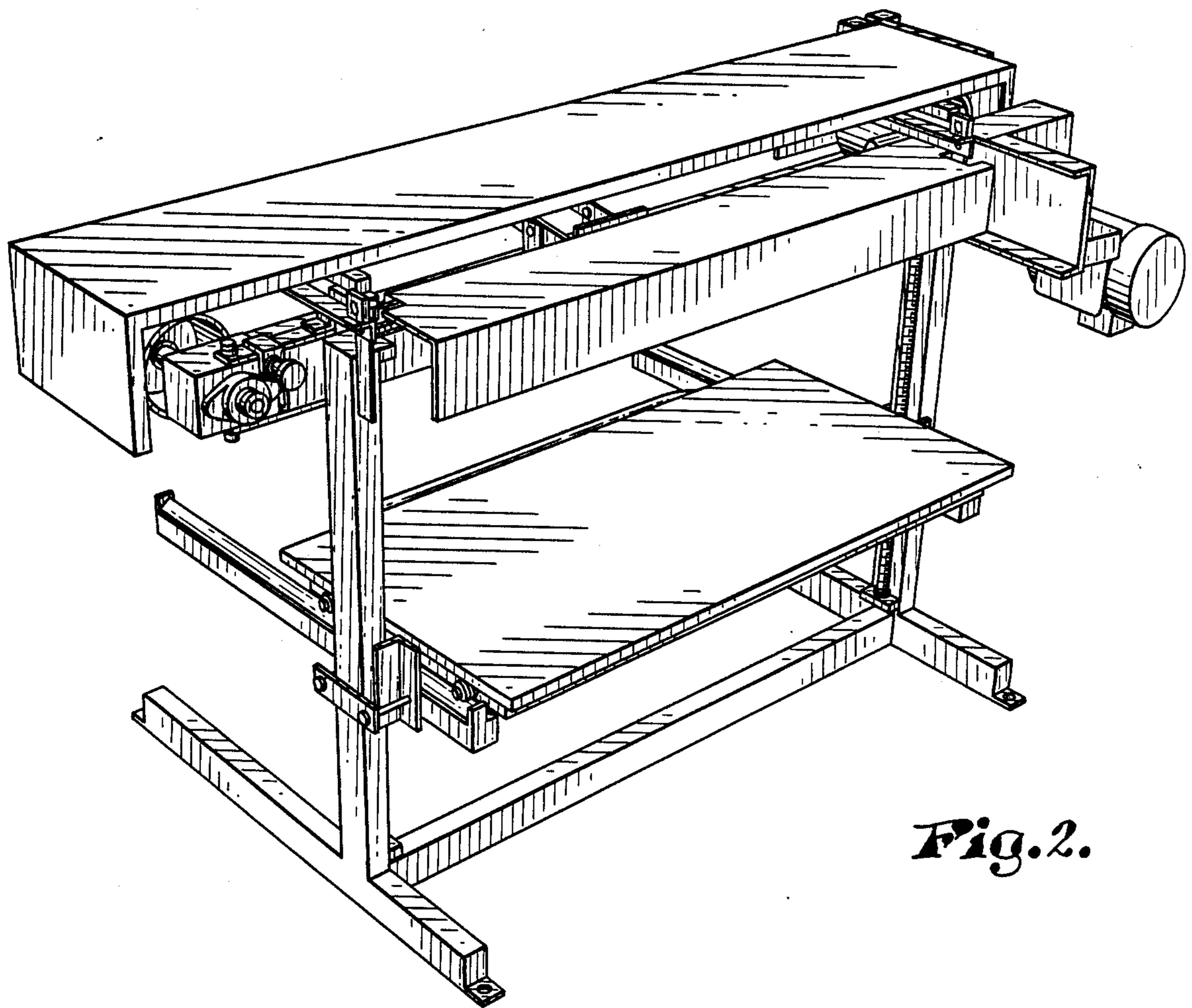


Fig. 2.

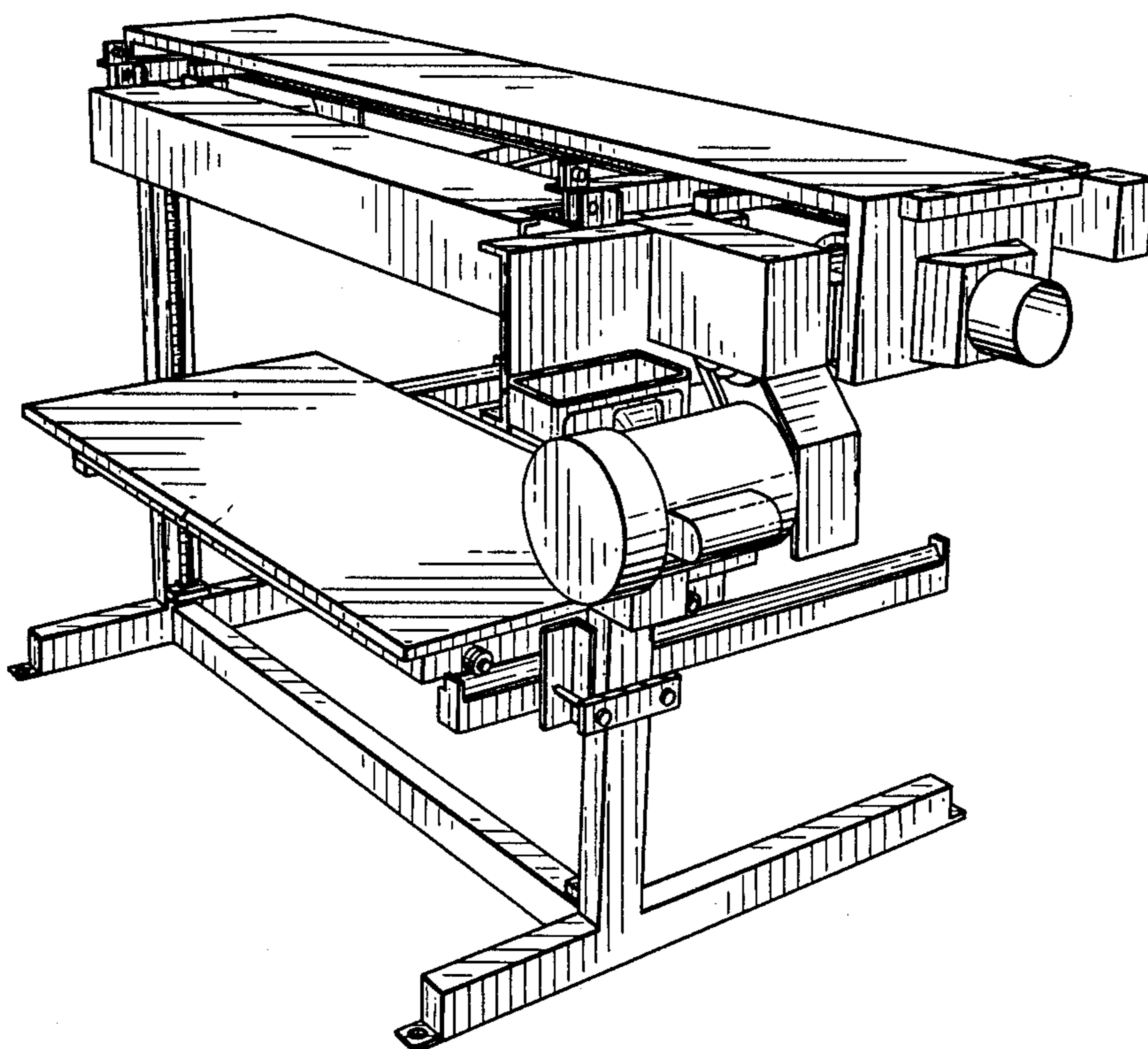


Fig. 3.