

[54] PACKAGED AIR COMPRESSOR SET

[75] Inventor: Muh-Chuan Yang, No.8, Lane 312, Sec. 3, Chungking S. Road, Taipei, Taiwan

[73] Assignee: Muh-Chuan Yang, Taipei, Taiwan

[**] Term: 14 Years

[21] Appl. No.: 79,491

[22] Filed: Jul. 29, 1987

[52] U.S. Cl. D15/9; D3/74

[58] Field of Search D15/7, 9; D3/30.1, 74; D9/345, 347, 337, 341, 420, 423; 417/234, 411, 415

[56] References Cited

U.S. PATENT DOCUMENTS

- D. 260,896 9/1981 Schwartz et al. D15/9
- D. 263,958 4/1982 Pelly D15/7
- D. 269,648 7/1983 Wilcox et al. D3/74 X
- D. 273,178 3/1984 Dunlap D15/7 X

- D. 293,583 1/1988 Dunlap D15/7
- 3,410,391 11/1968 Kanter D3/74 X
- 4,389,166 6/1983 Harvey et al. 417/234

Primary Examiner—James M. Gandy
Assistant Examiner—Brian N. Vinson

[57] CLAIM

The ornamental design for a packaged air compressor set, as shown and described.

DESCRIPTION

FIG. 1 is a perspective view taken from top, front and right end of a packaged air compressor set showing my new design;

FIG. 2 is a front elevational view thereof;

FIG. 3 is a rear elevational view thereof;

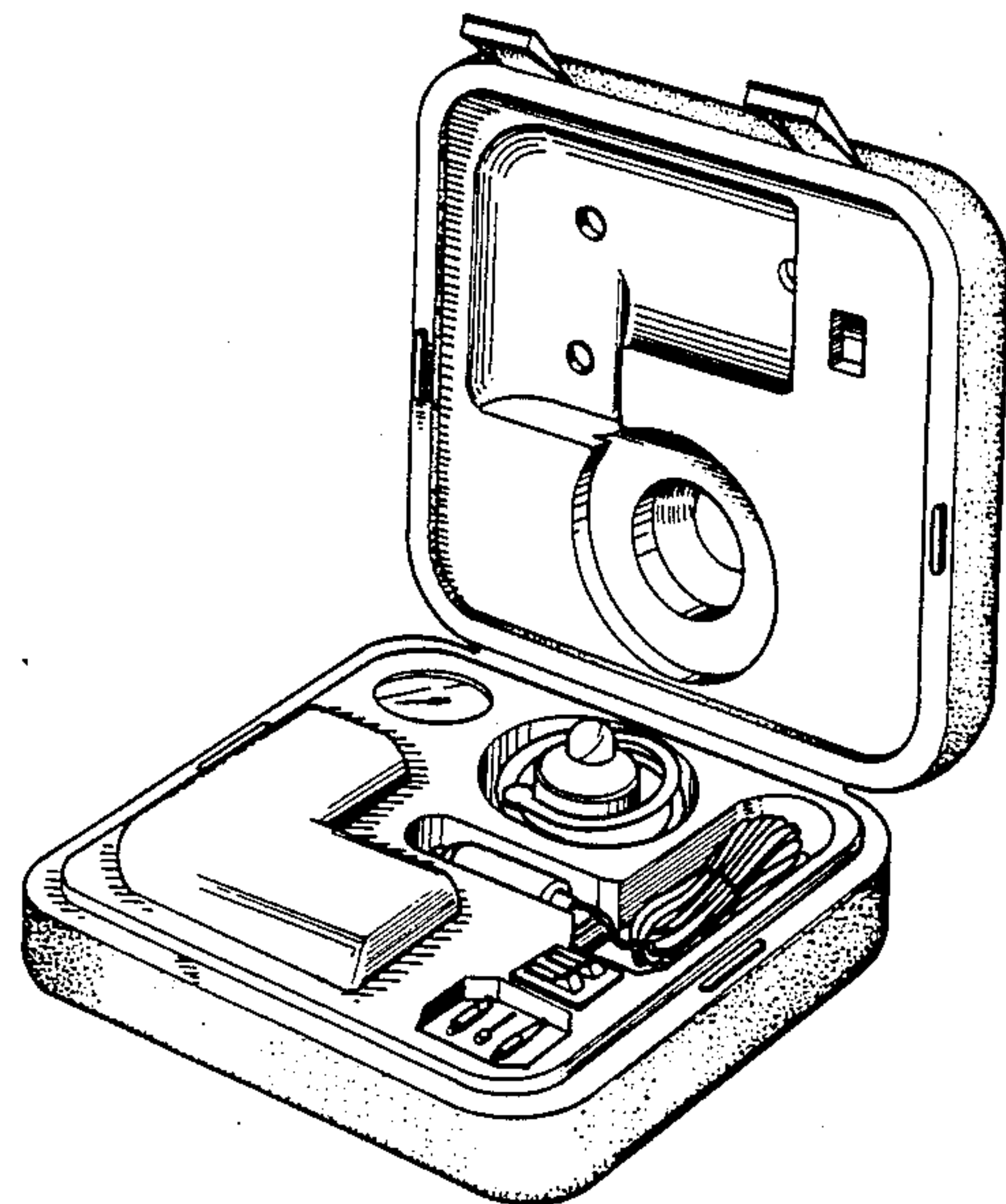
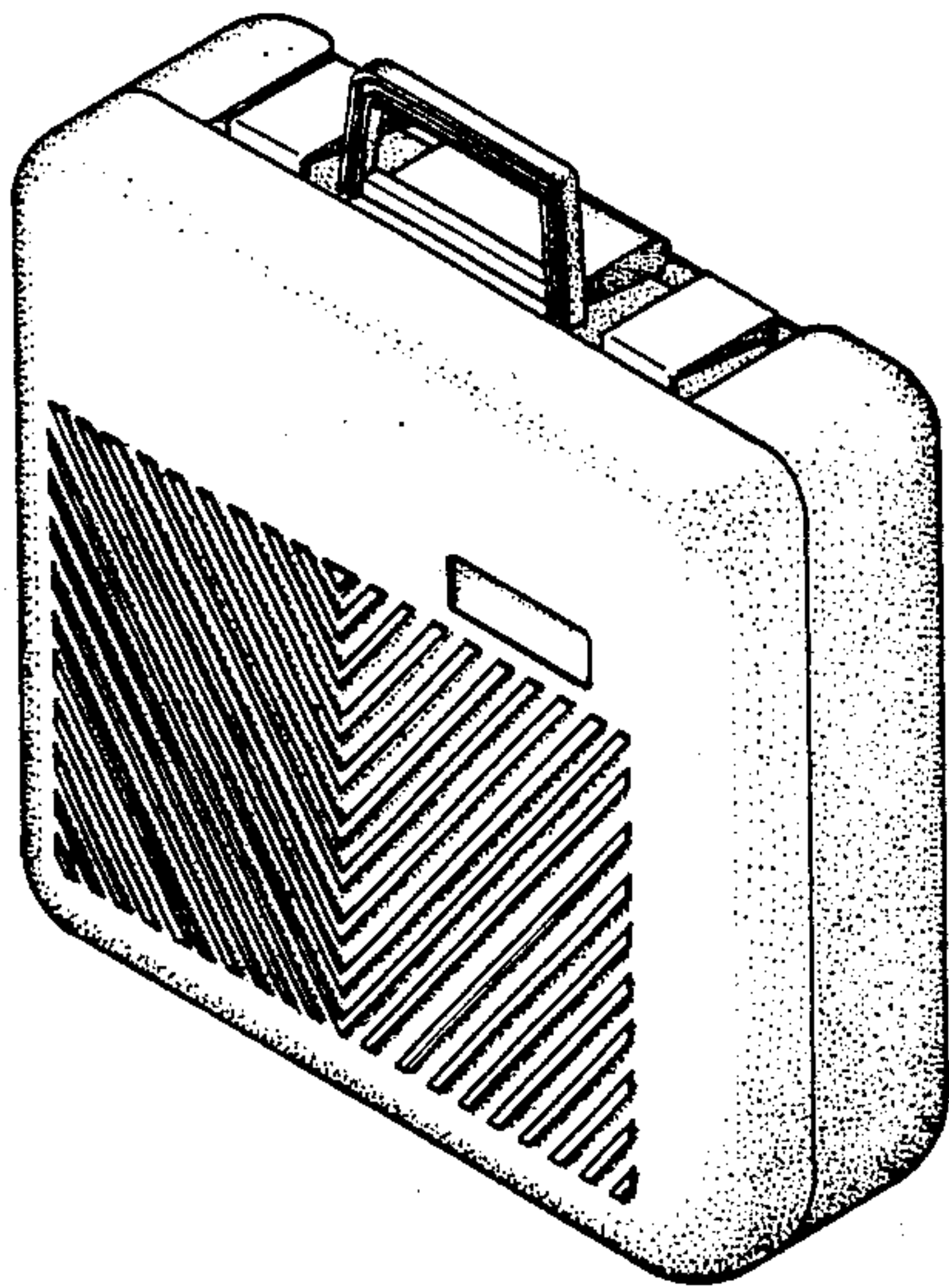
FIG. 4 is a top plan view thereof;

FIG. 5 is a bottom plan view thereof;

FIG. 6 is a left side elevational view thereof;

FIG. 7 is a right side elevational view thereof; and

FIG. 8 is a reduced top, front and left end perspective view thereof, showing the cover in an open position.



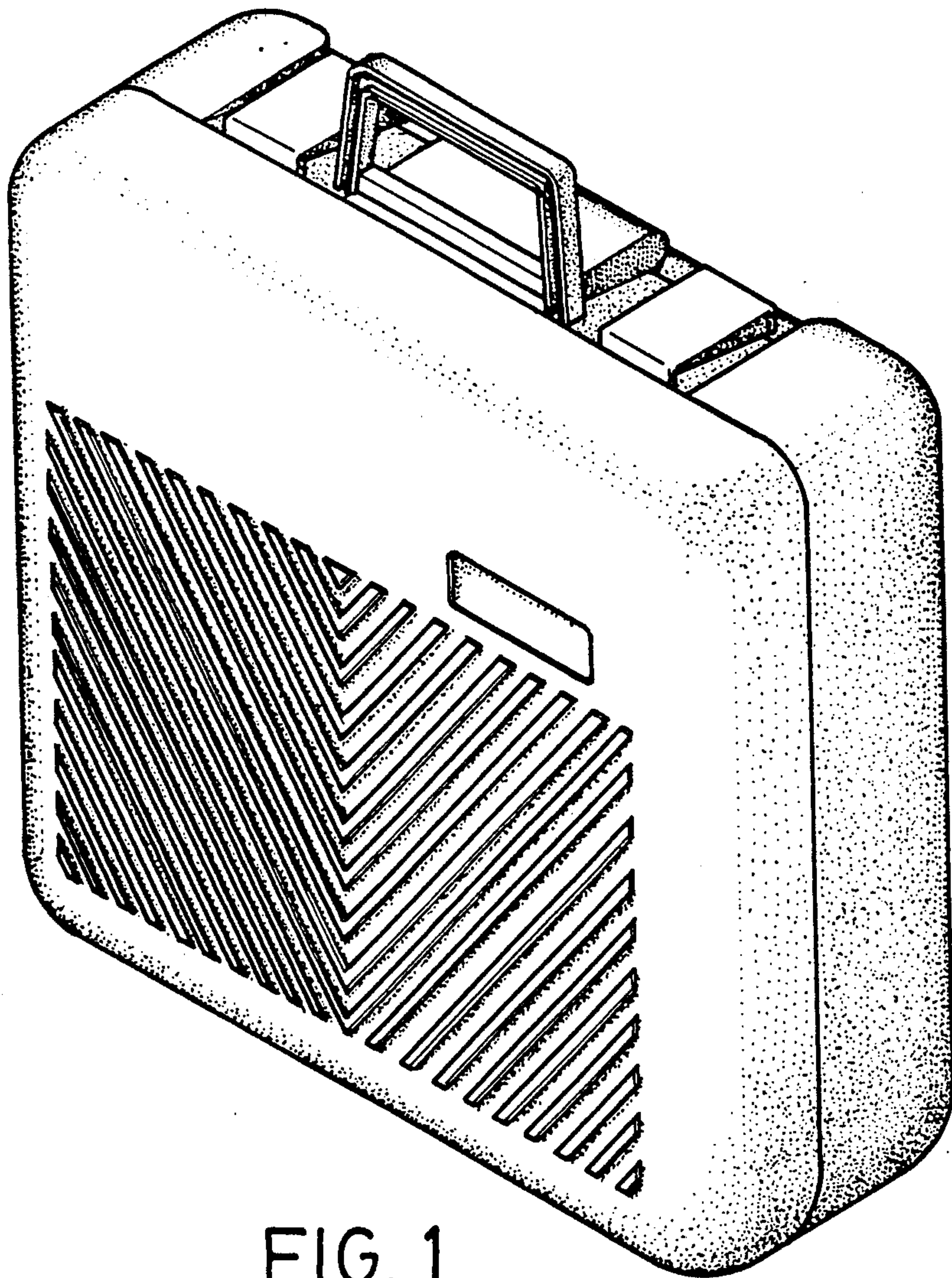


FIG. 1



FIG. 2



FIG. 3

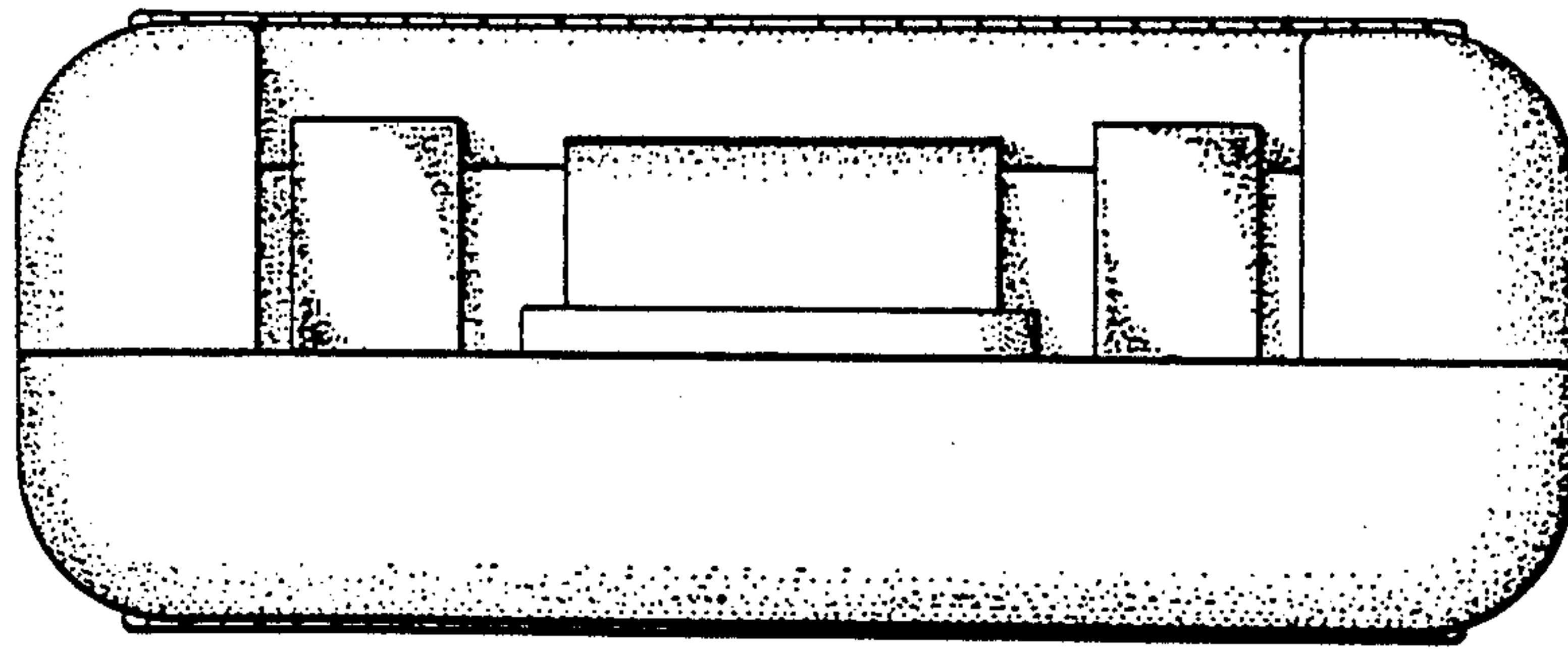


FIG. 4

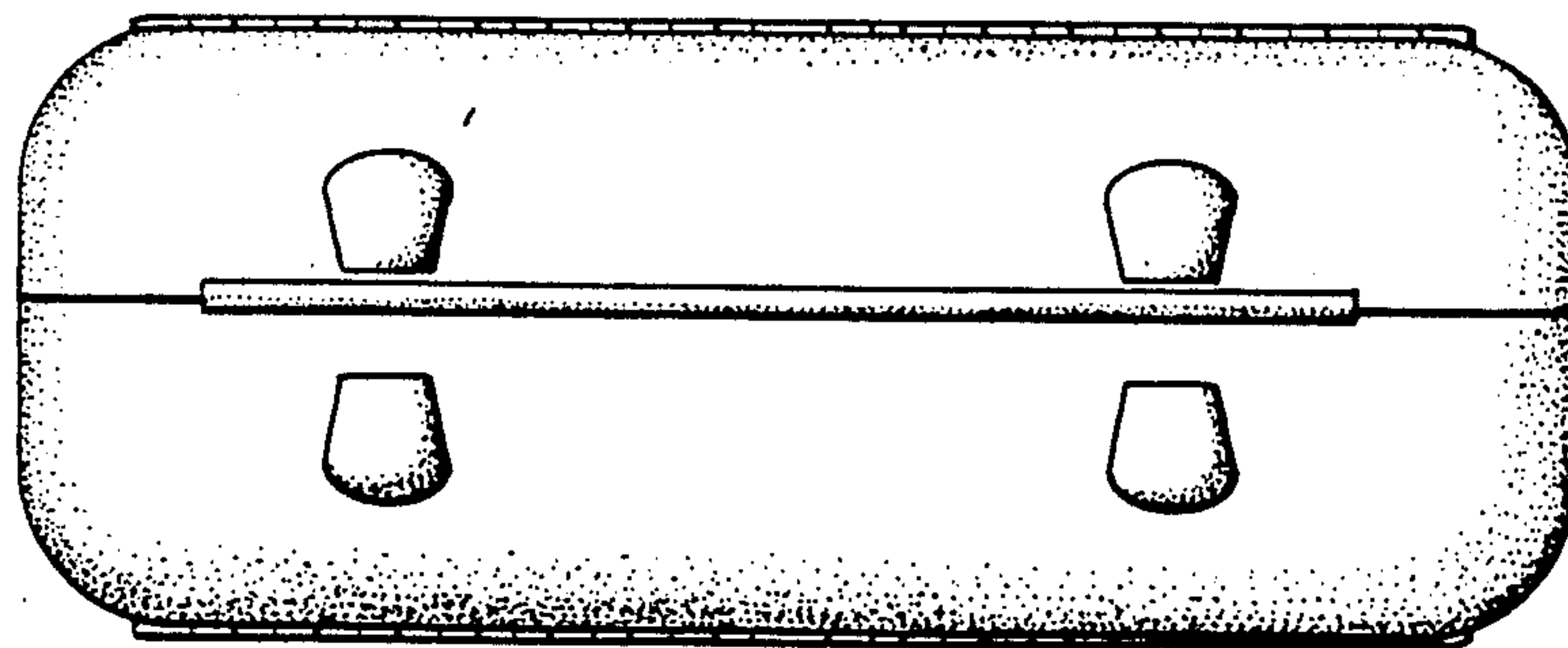


FIG. 5

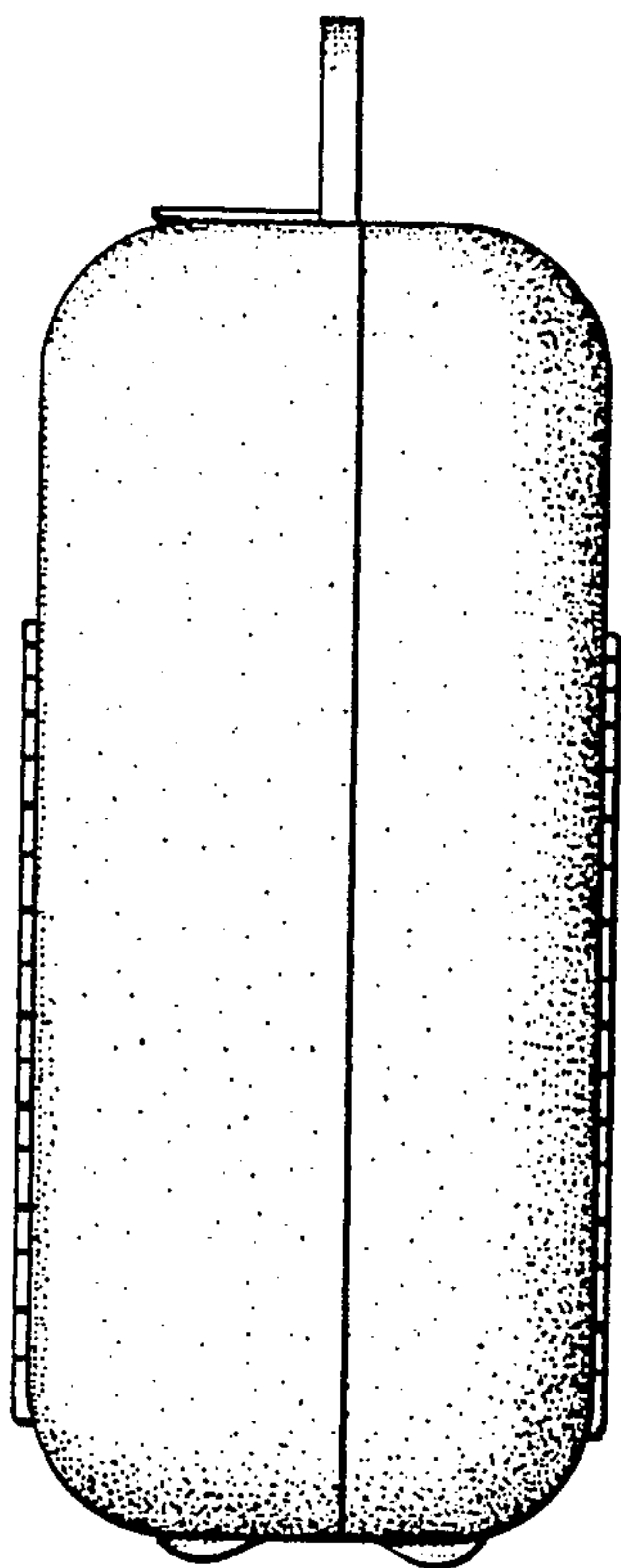


FIG. 6

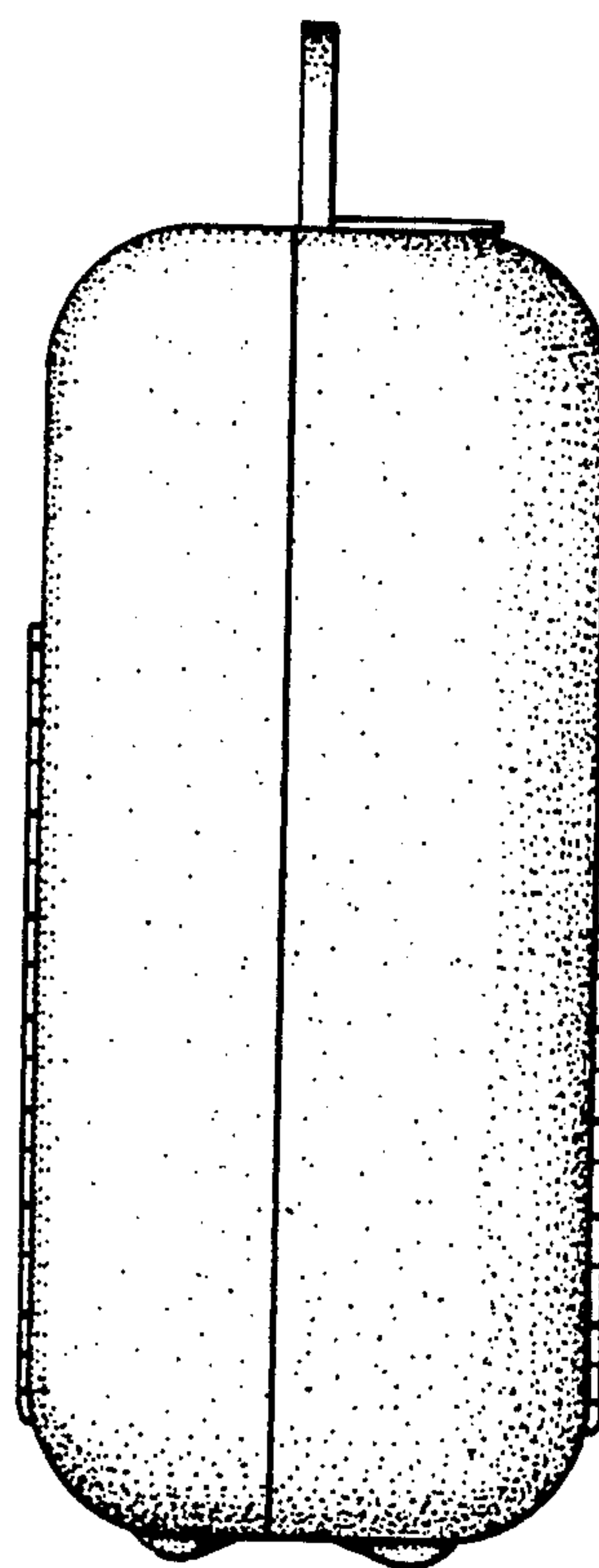


FIG. 7

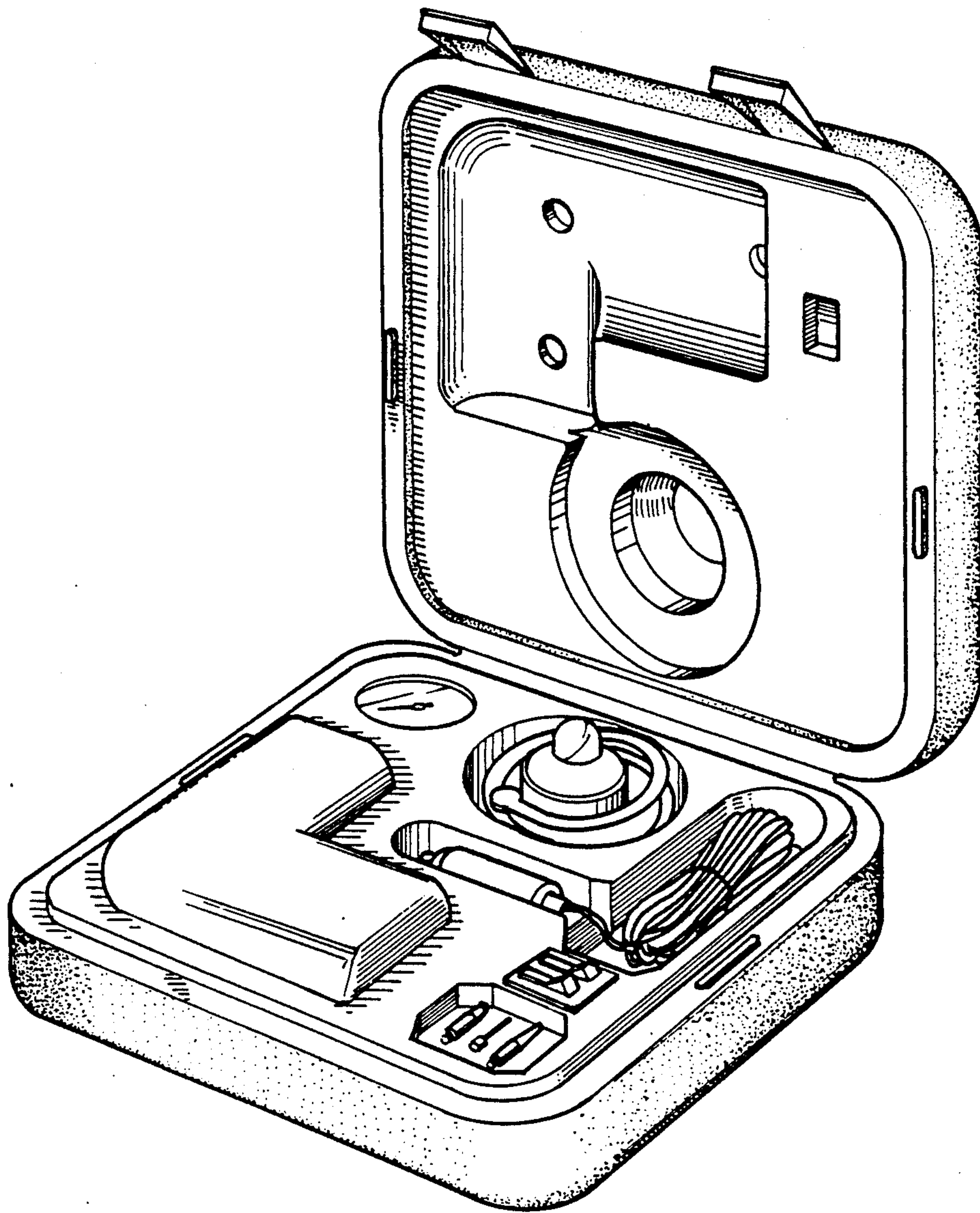


FIG. 8