

[54] TELEPHONE SET OR SIMILAR ARTICLE

D. 301,500 6/1989 Tapdrup D21/111

[75] Inventor: Marshall Gisser, Far Rockaway, N.Y.

Primary Examiner—Horace B. Fay, Jr.
Attorney, Agent, or Firm—Helfgott & Karas

[73] Assignee: New York Design Studio, Incorporated, Far Rockaway, N.Y.

[57] CLAIM

The ornamental design for a telephone set or similar article, as shown and described.

[**] Term: 14 Years

DESCRIPTION

[21] Appl. No.: 339,370

[22] Filed: Apr. 17, 1989

[52] U.S. Cl. D14/151; D14/248; 379/434

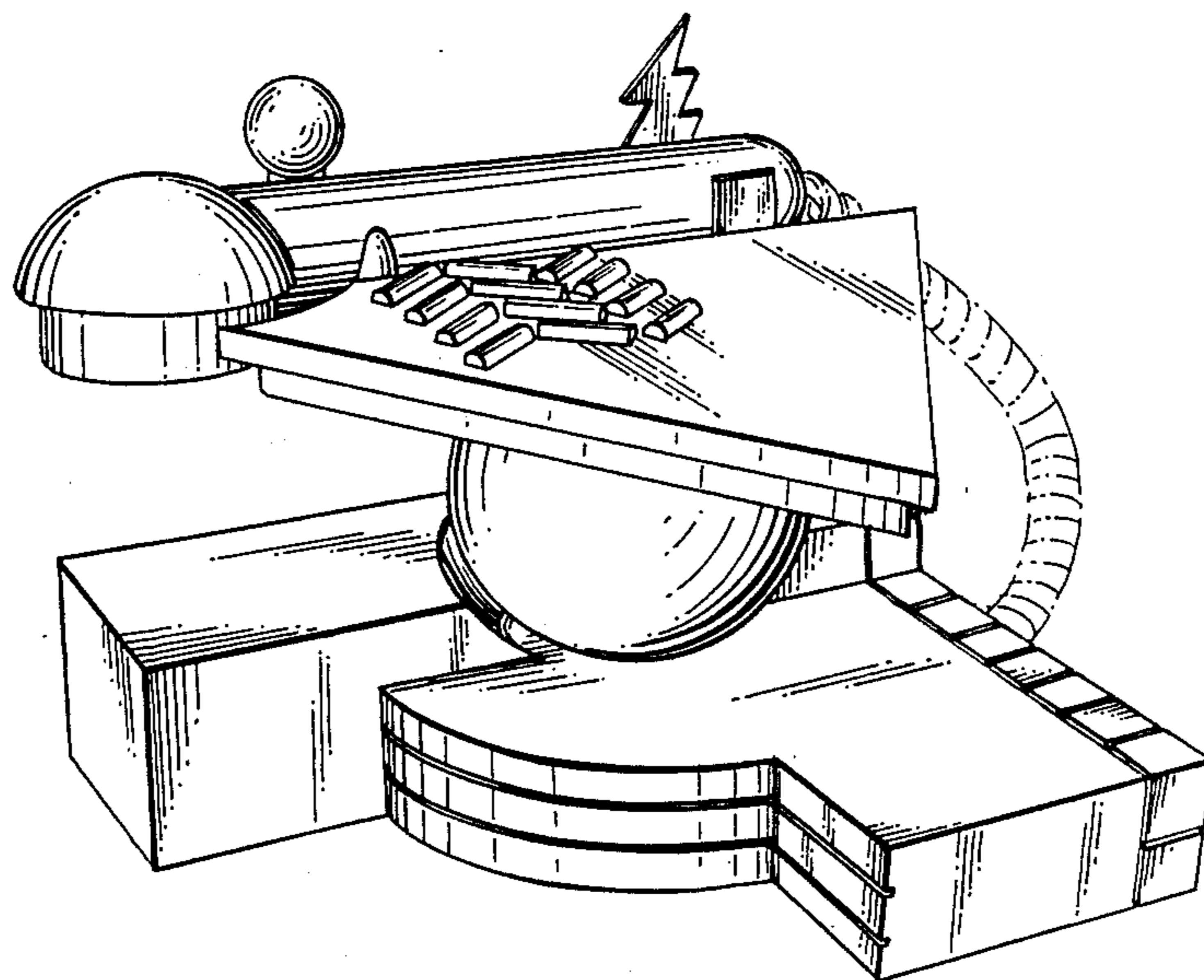
[58] Field of Search D14/150, 149, 151, 146, D14/248, 247, 142, 140; D21/111; 379/440, 436, 434, 433, 428, 419

[56] References Cited

U.S. PATENT DOCUMENTS

D. 174,989	6/1955	Heller	D14/149
D. 210,775	4/1968	Dreyfuss	D14/248
D. 240,738	7/1976	Peoples	D14/151
D. 245,602	8/1977	Genaro et al.	D14/248
D. 287,125	12/1986	Saunik	D14/146
D. 292,580	11/1987	Wong	D14/151
D. 294,249	2/1988	Hyvönen	D14/151
D. 299,030	12/1988	Menn	D14/151
D. 300,318	3/1989	Ng	D21/111
D. 300,743	4/1989	Zaugg et al.	D14/248

FIG. 1 is a left side, top and front perspective view of a telephone set or similar article showing my new design in cradled relationship;
 FIG. 2 is a top plan view thereof;
 FIG. 3 is a front elevational view thereof;
 FIG. 4 is a left side elevational view thereof;
 FIG. 5 is a right side elevational view thereof;
 FIG. 6 is a rear elevational view thereof;
 FIG. 7 is a bottom plan view thereof; and
 FIG. 8 is a left side, top and front perspective view of a second embodiment in cradled relationship;
 FIG. 9 is a top plan view thereof;
 FIG. 10 is a front elevational view thereof;
 FIG. 11 is a left side elevational view thereof;
 FIG. 12 is a right side elevational view thereof;
 FIG. 13 is a rear elevational view thereof; and
 FIG. 14 is a bottom plan view thereof.
 The broken line showing of an electric cord in FIGS. 1, 2 and 9 is for illustrative purposes only and forms no part of the claimed design.



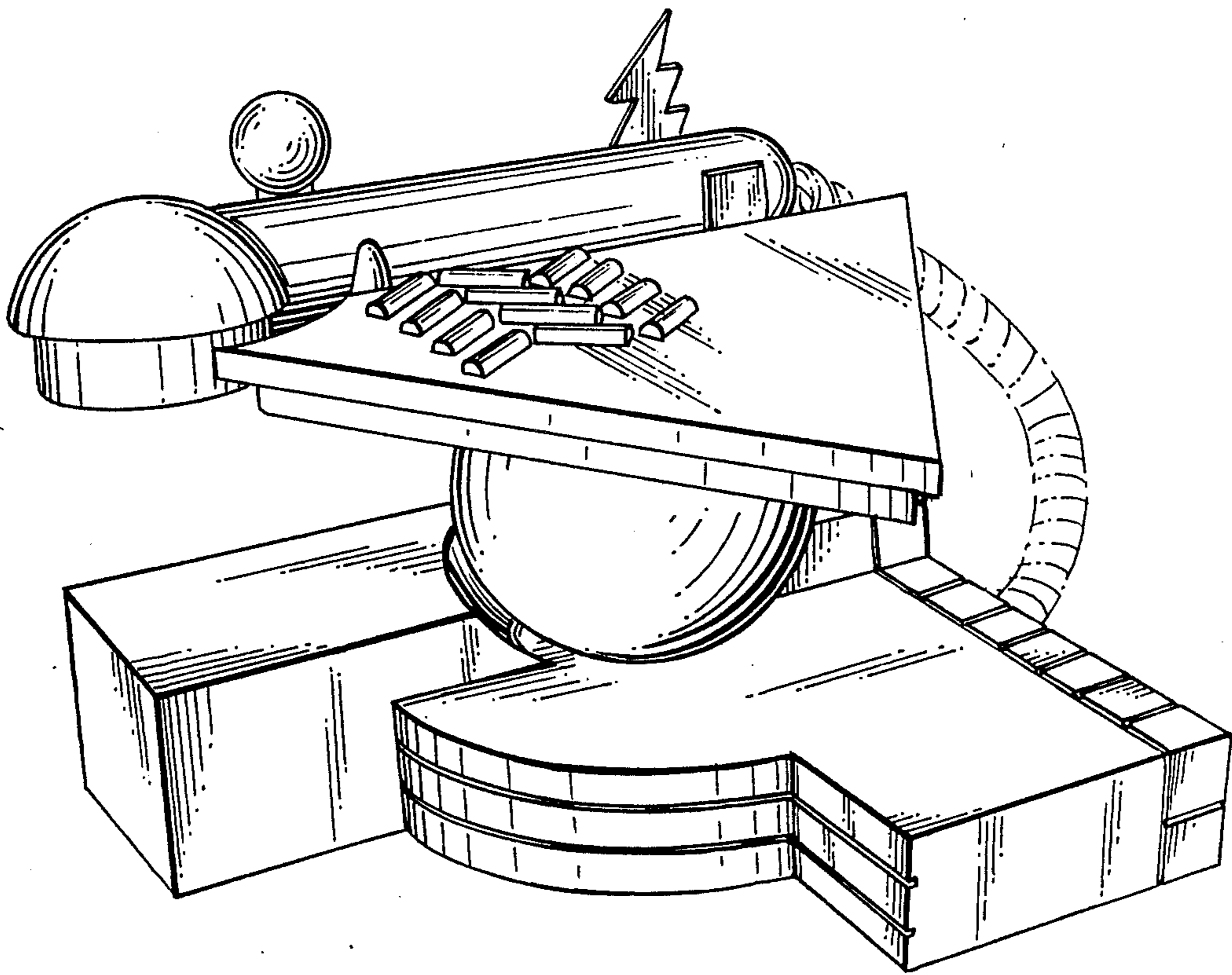


FIG. 1

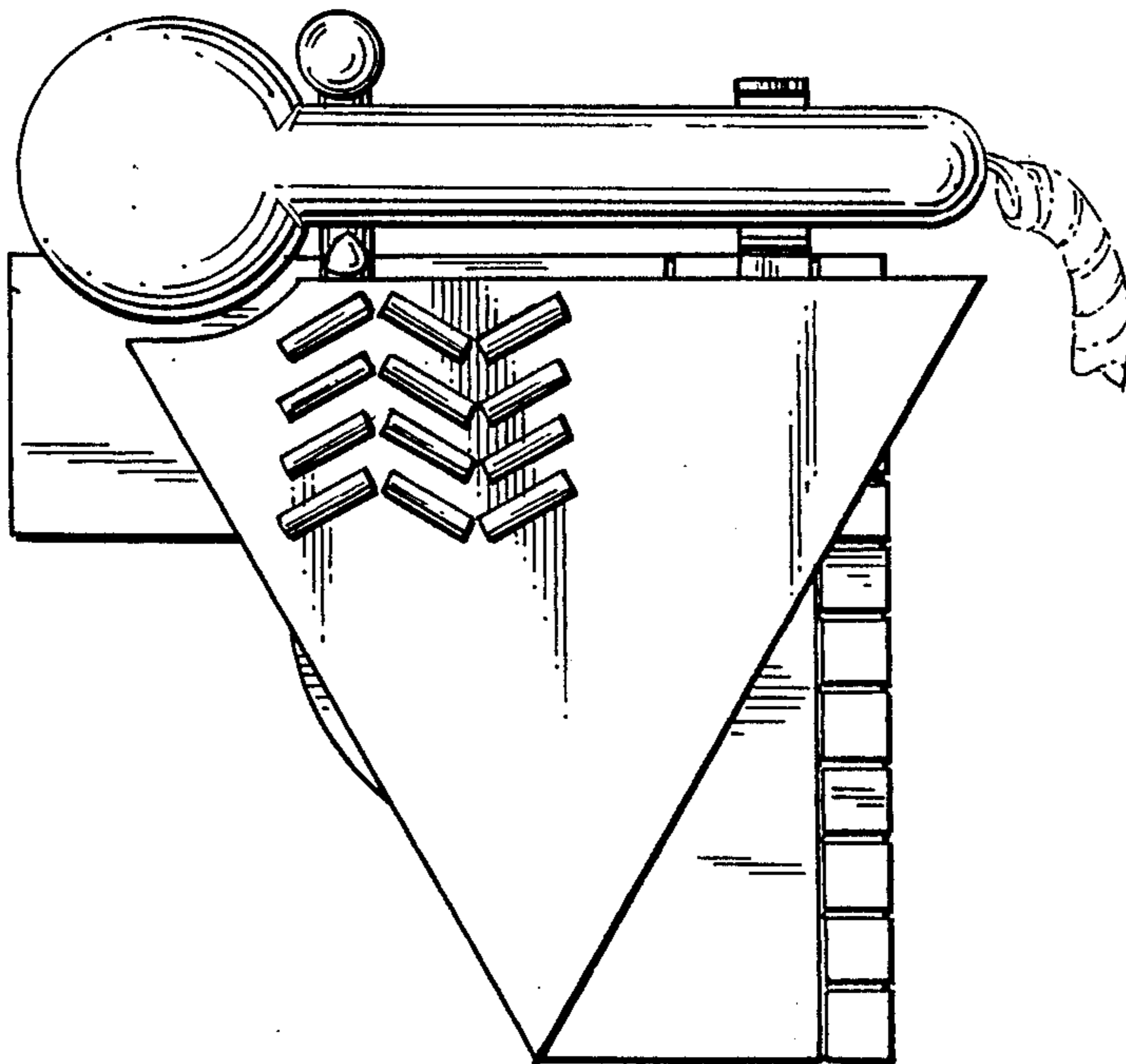


FIG. 2

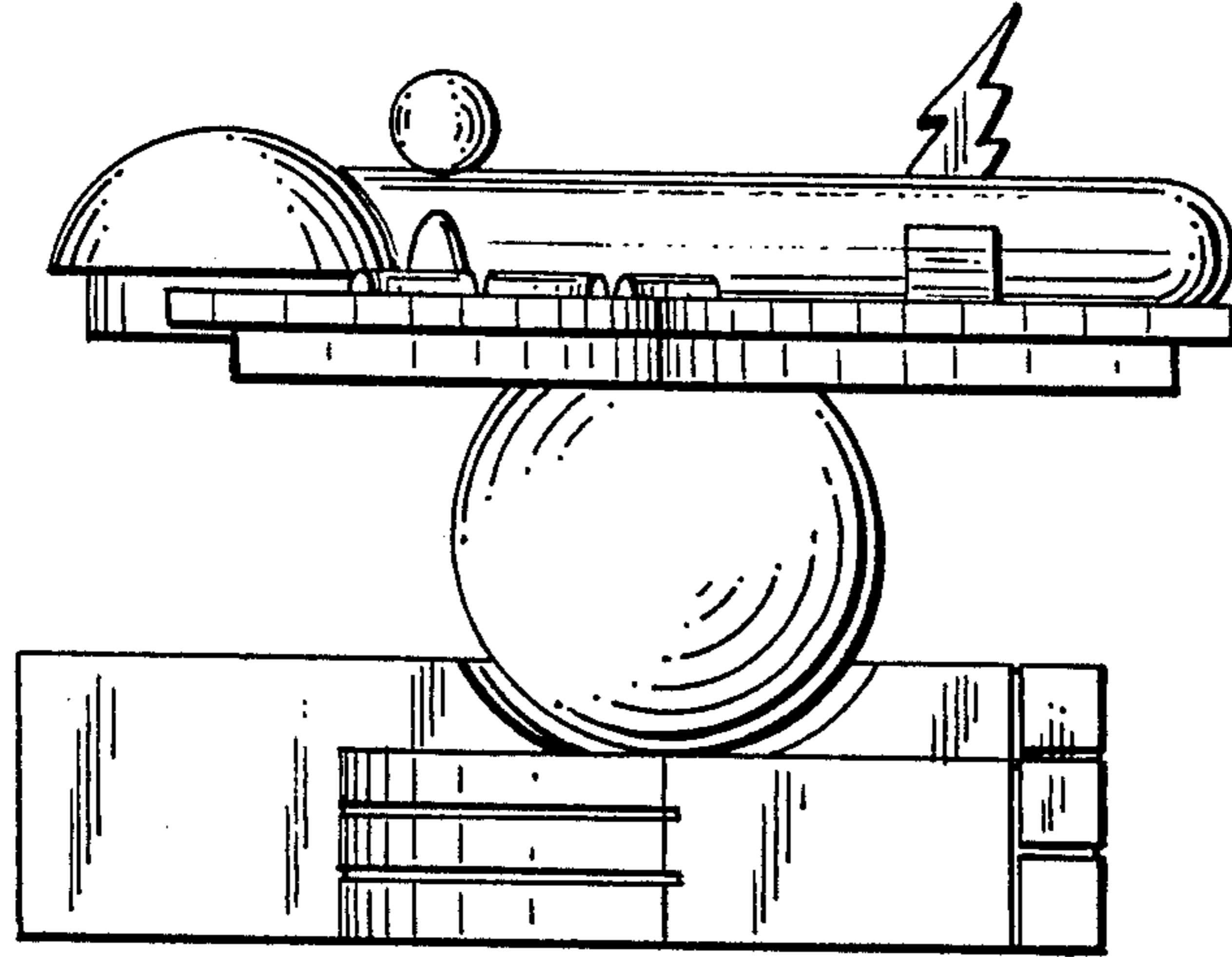


FIG. 3

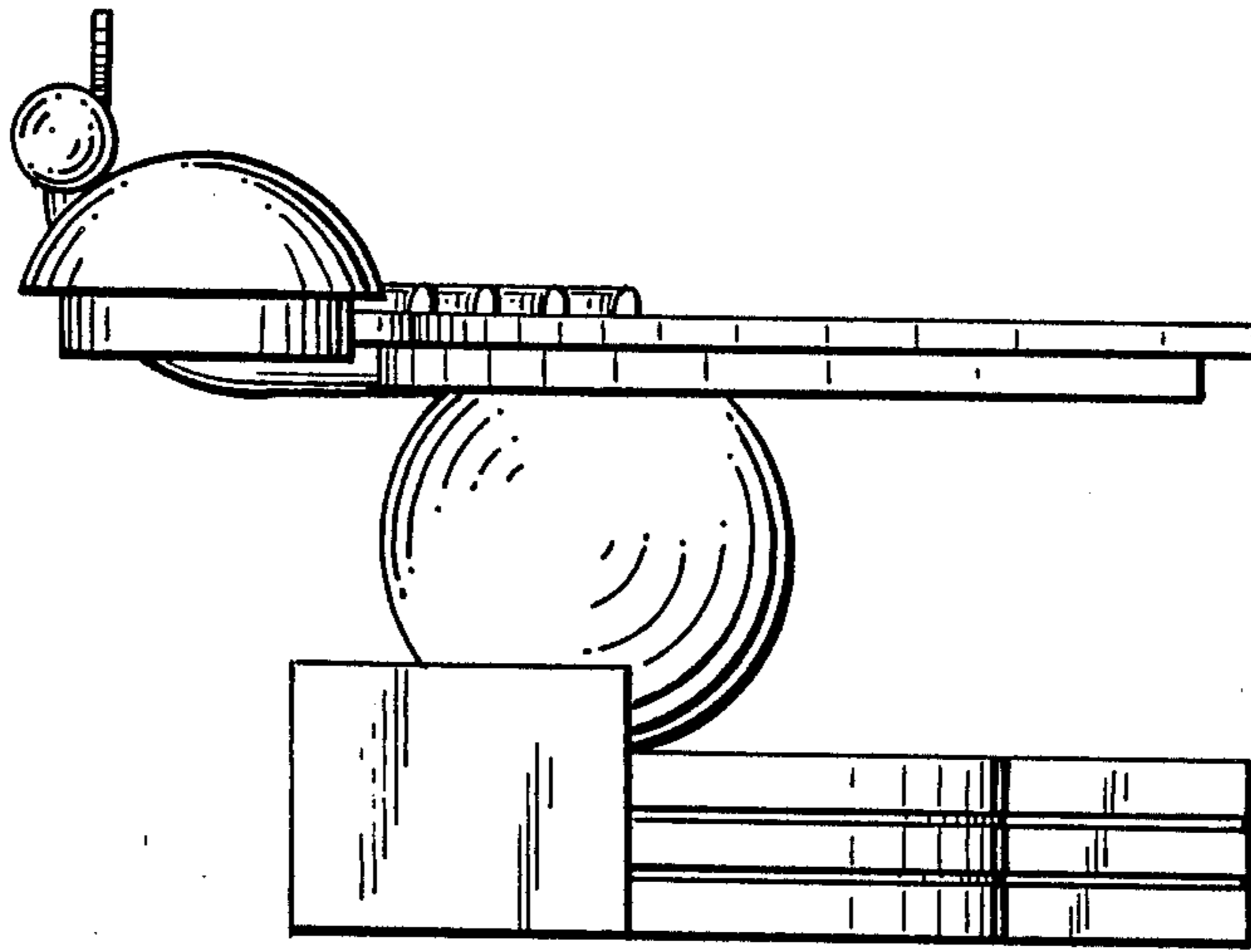


FIG. 4

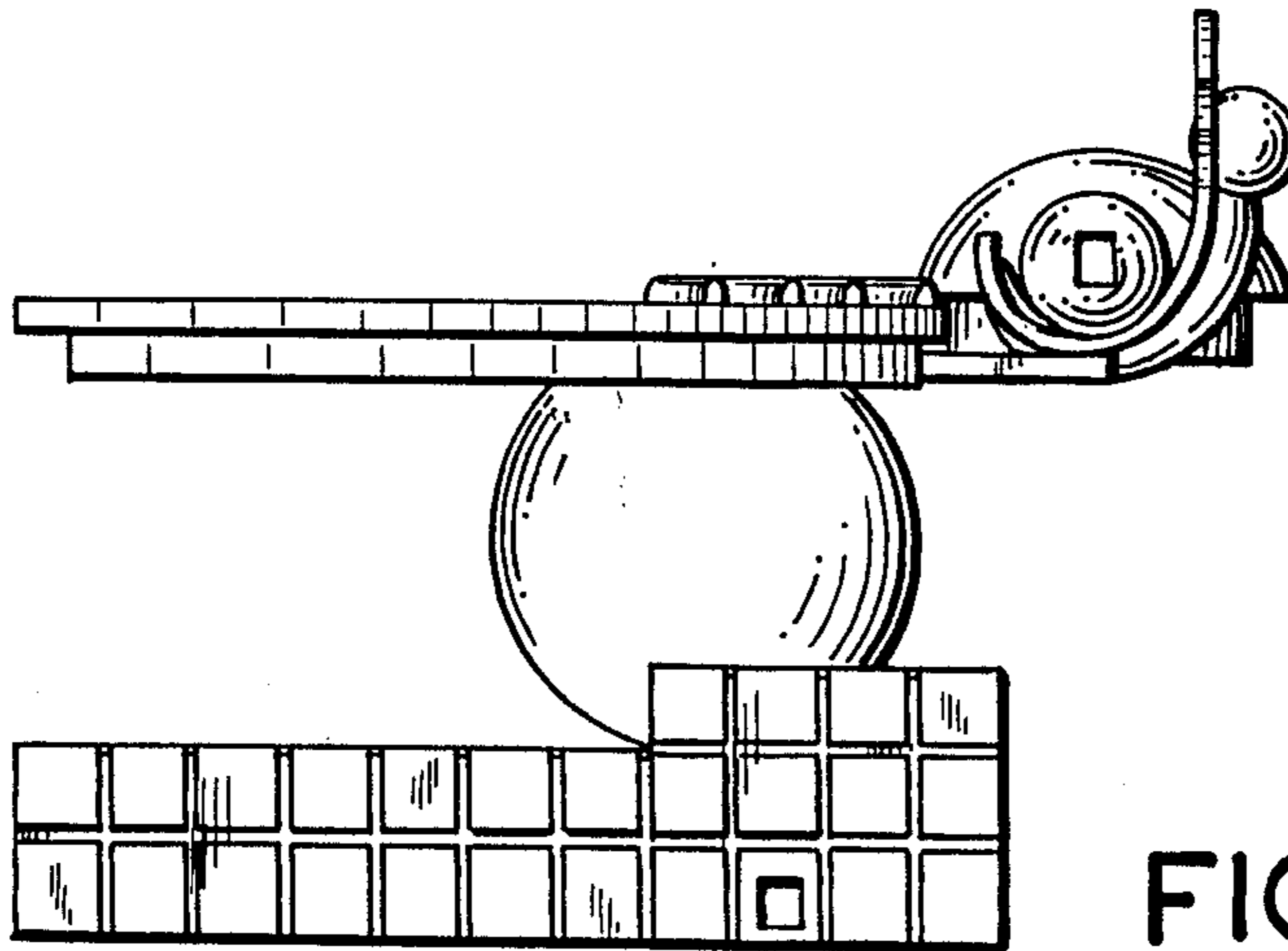


FIG. 5

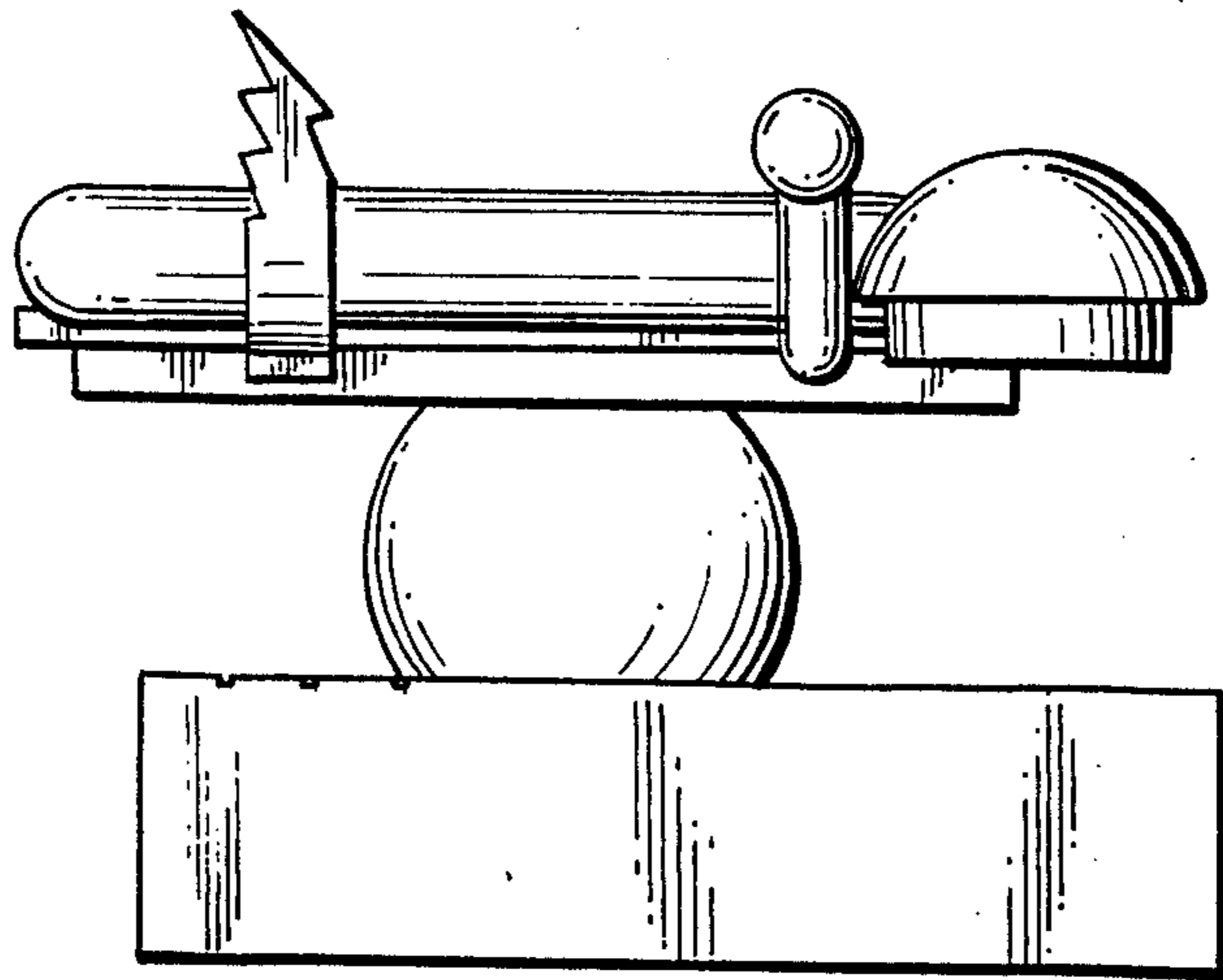


FIG. 6

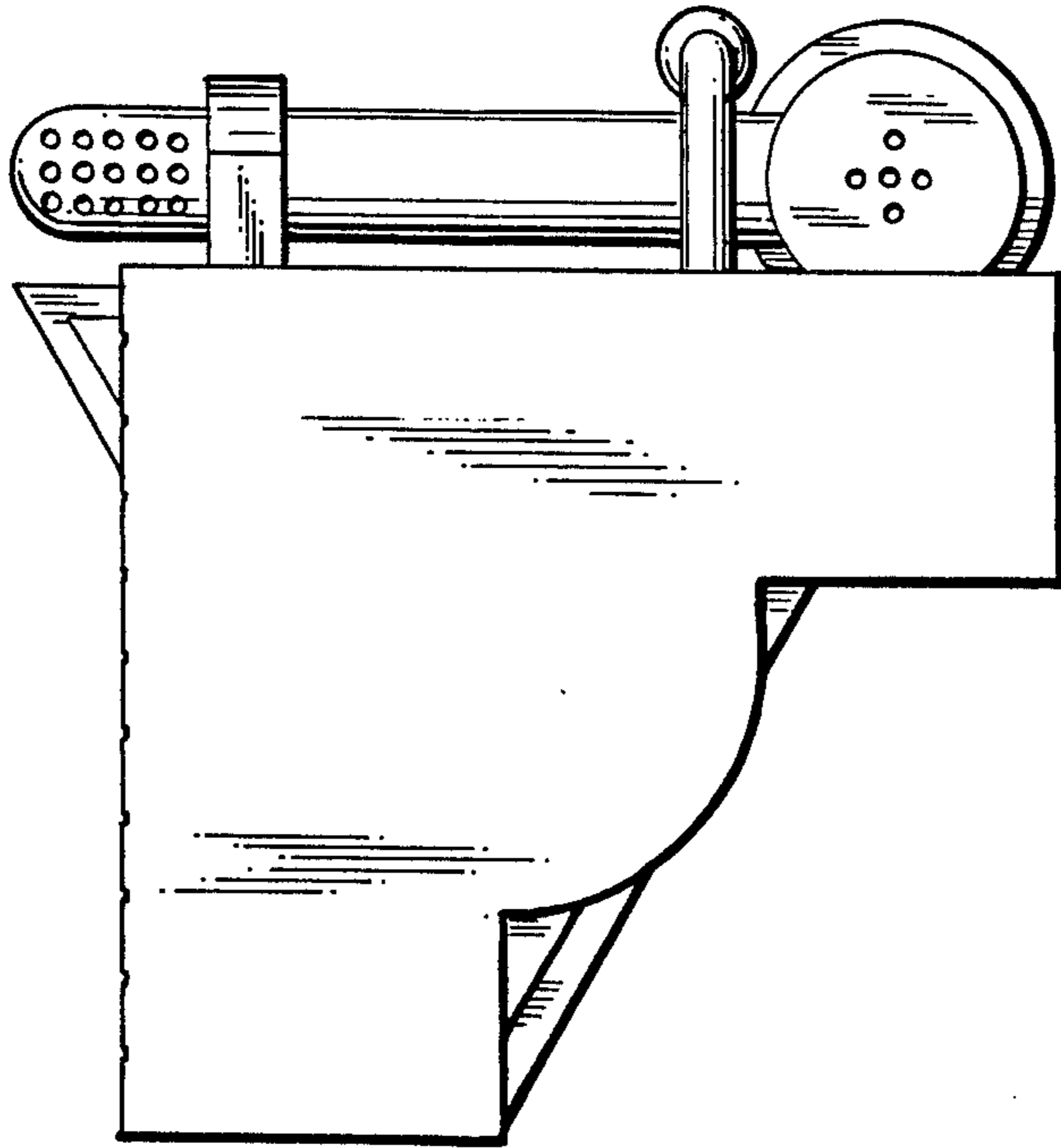


FIG. 7

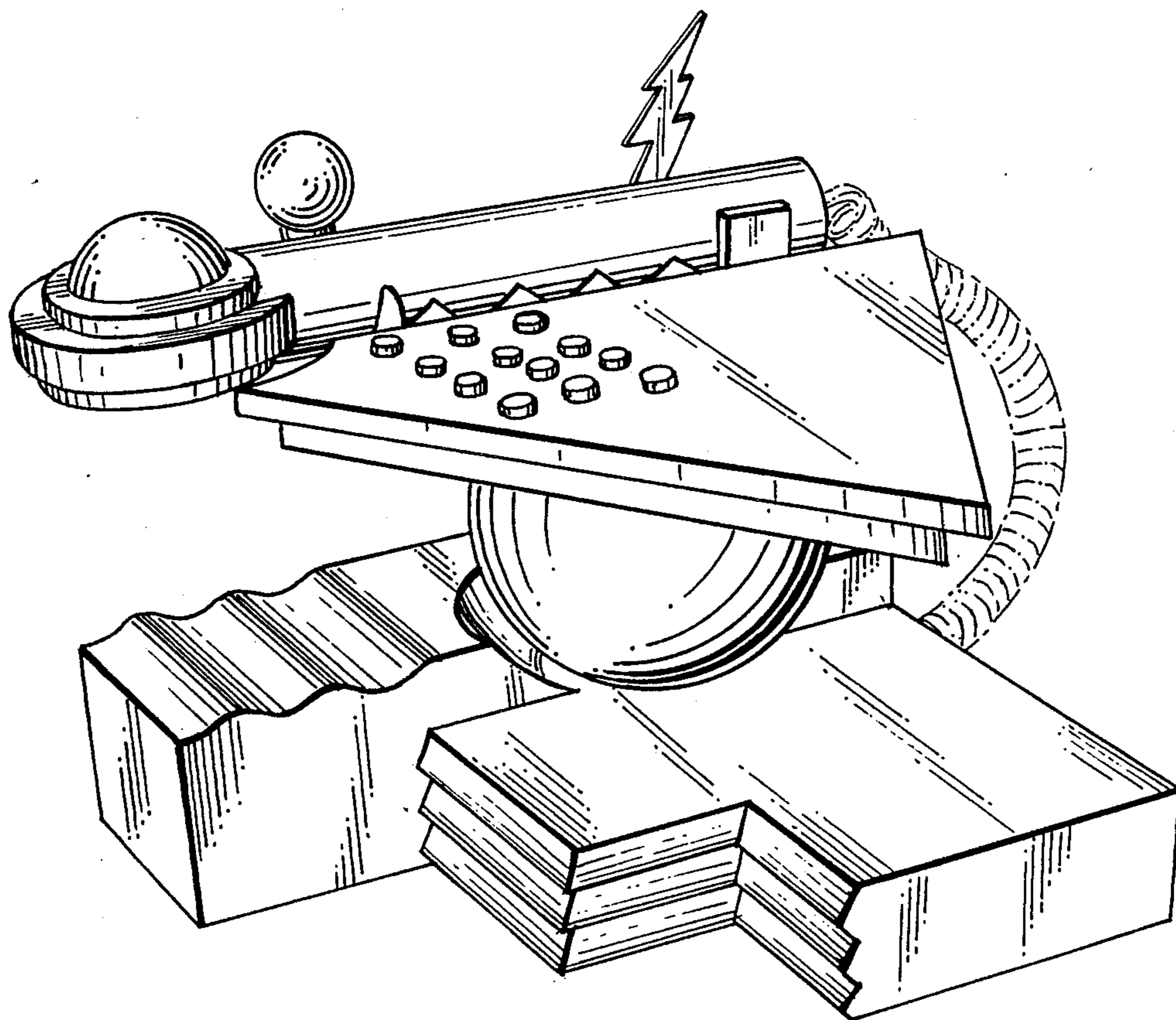


FIG. 8

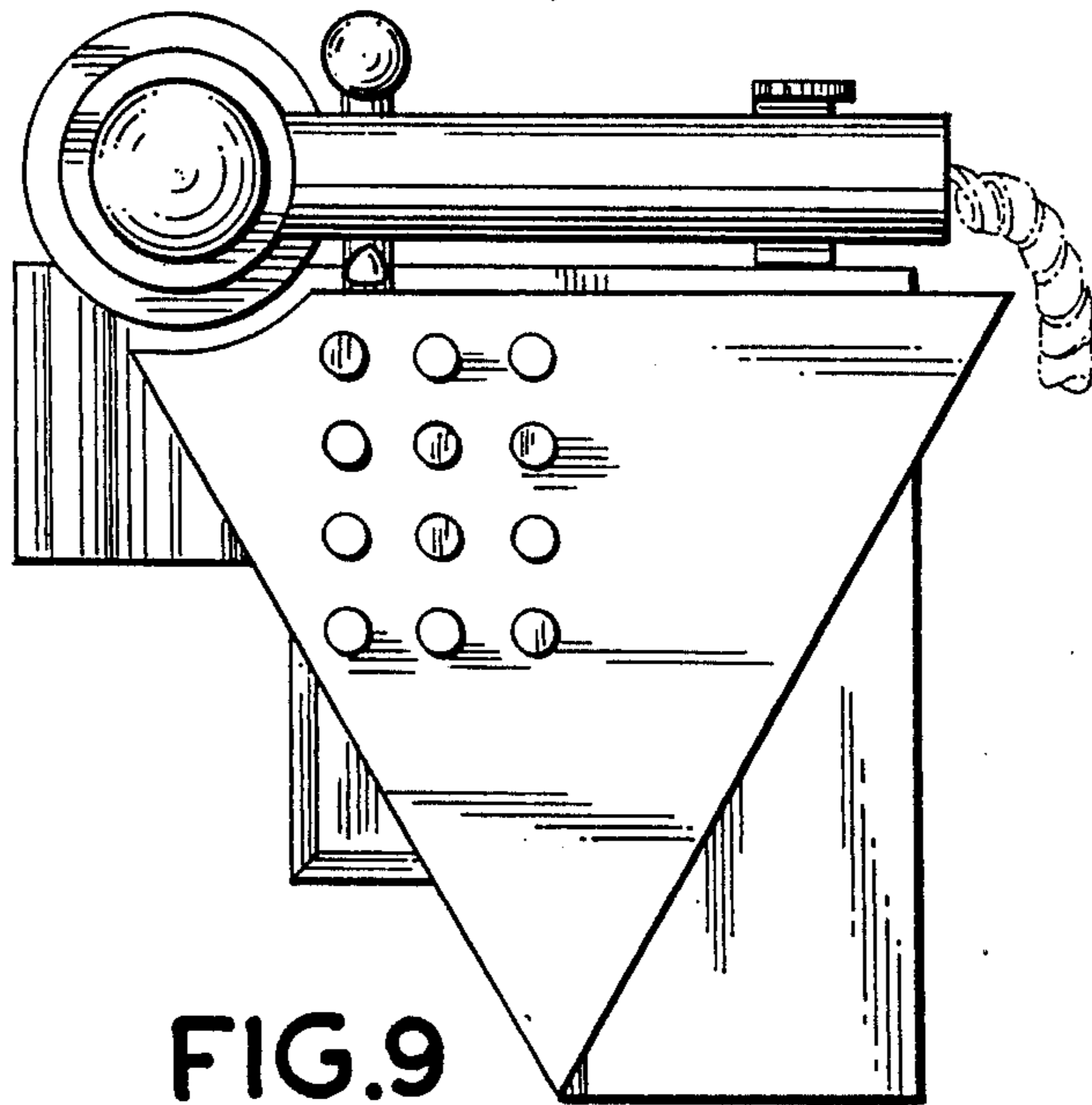


FIG. 9

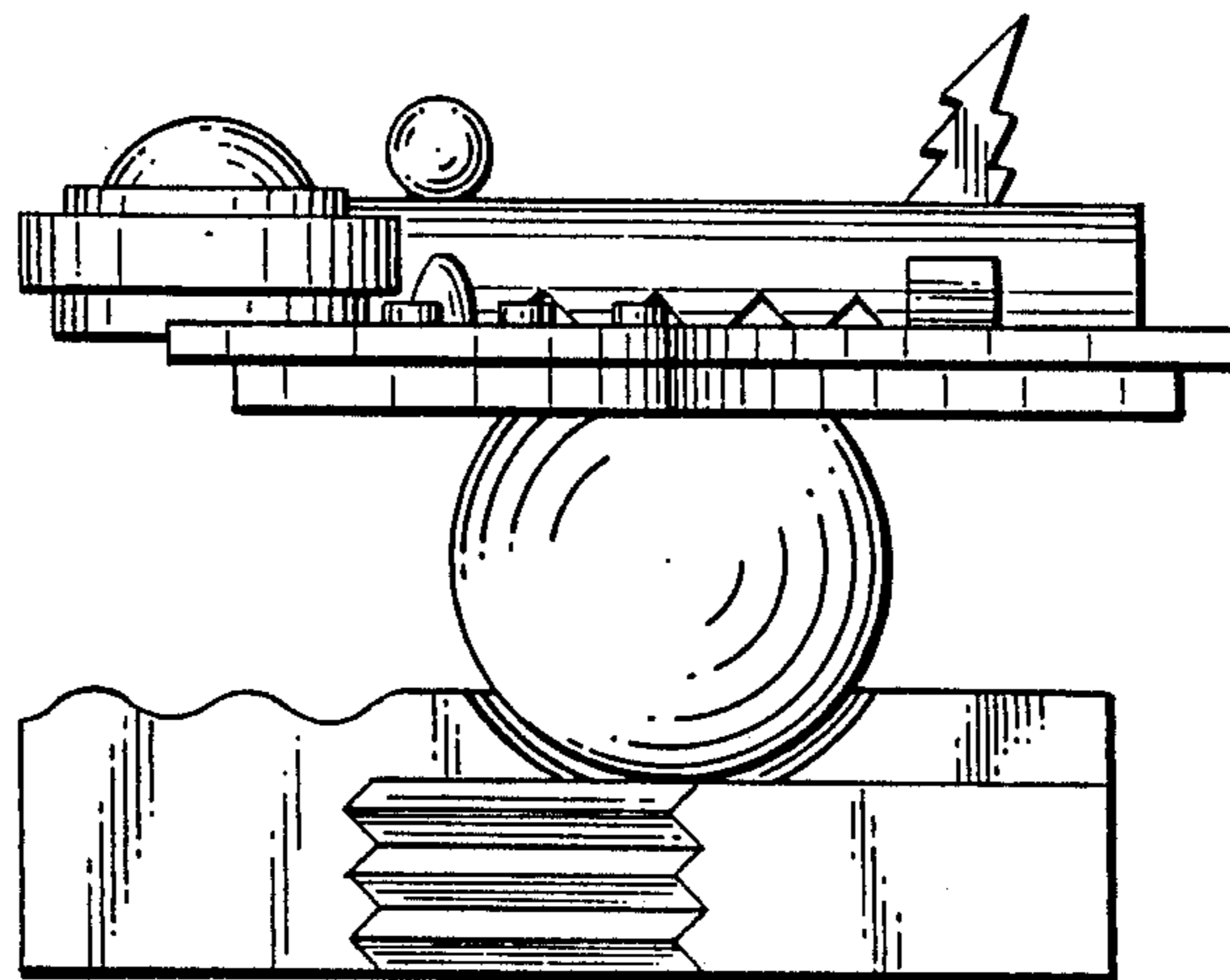


FIG. 10

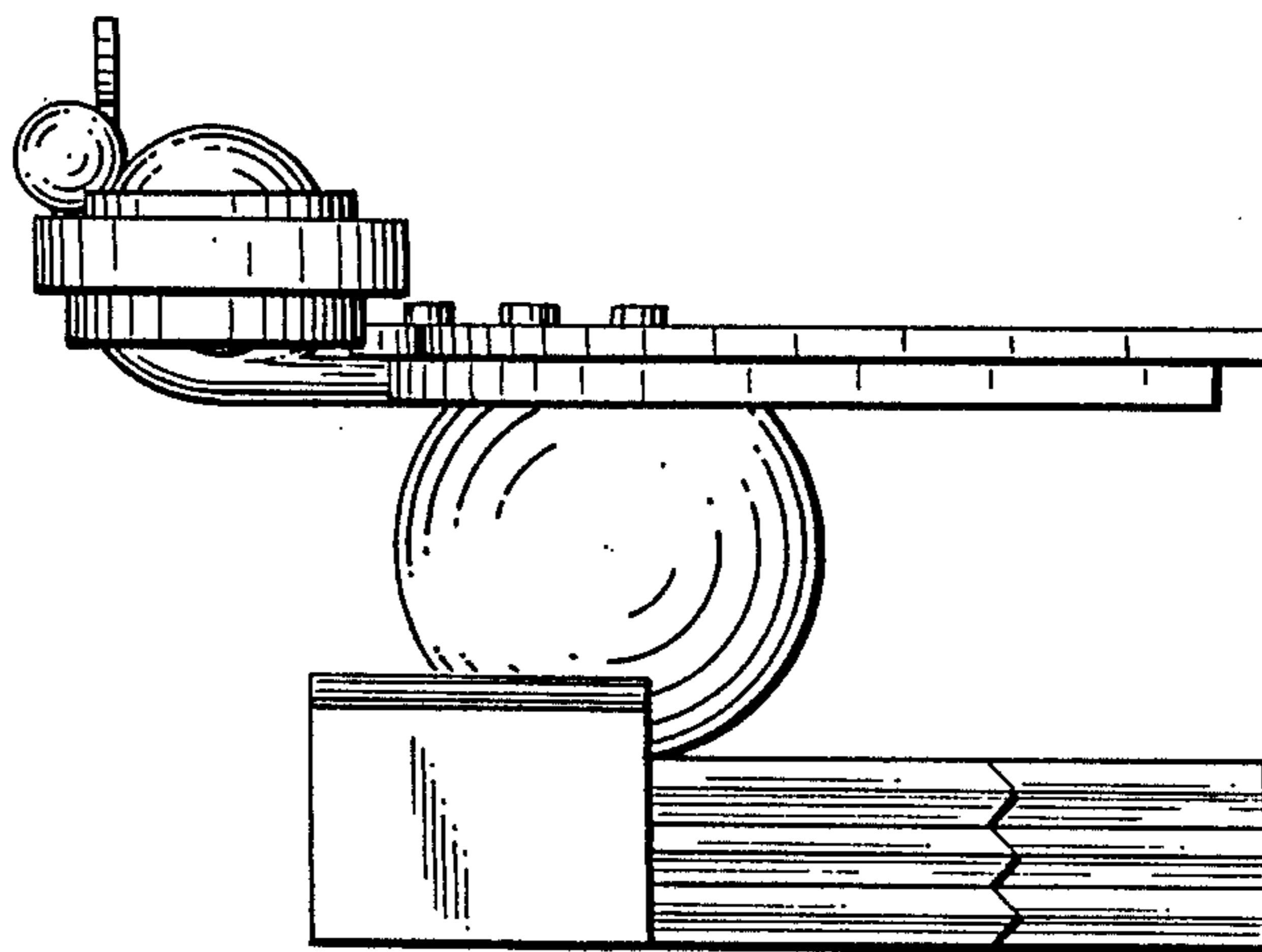


FIG. 11

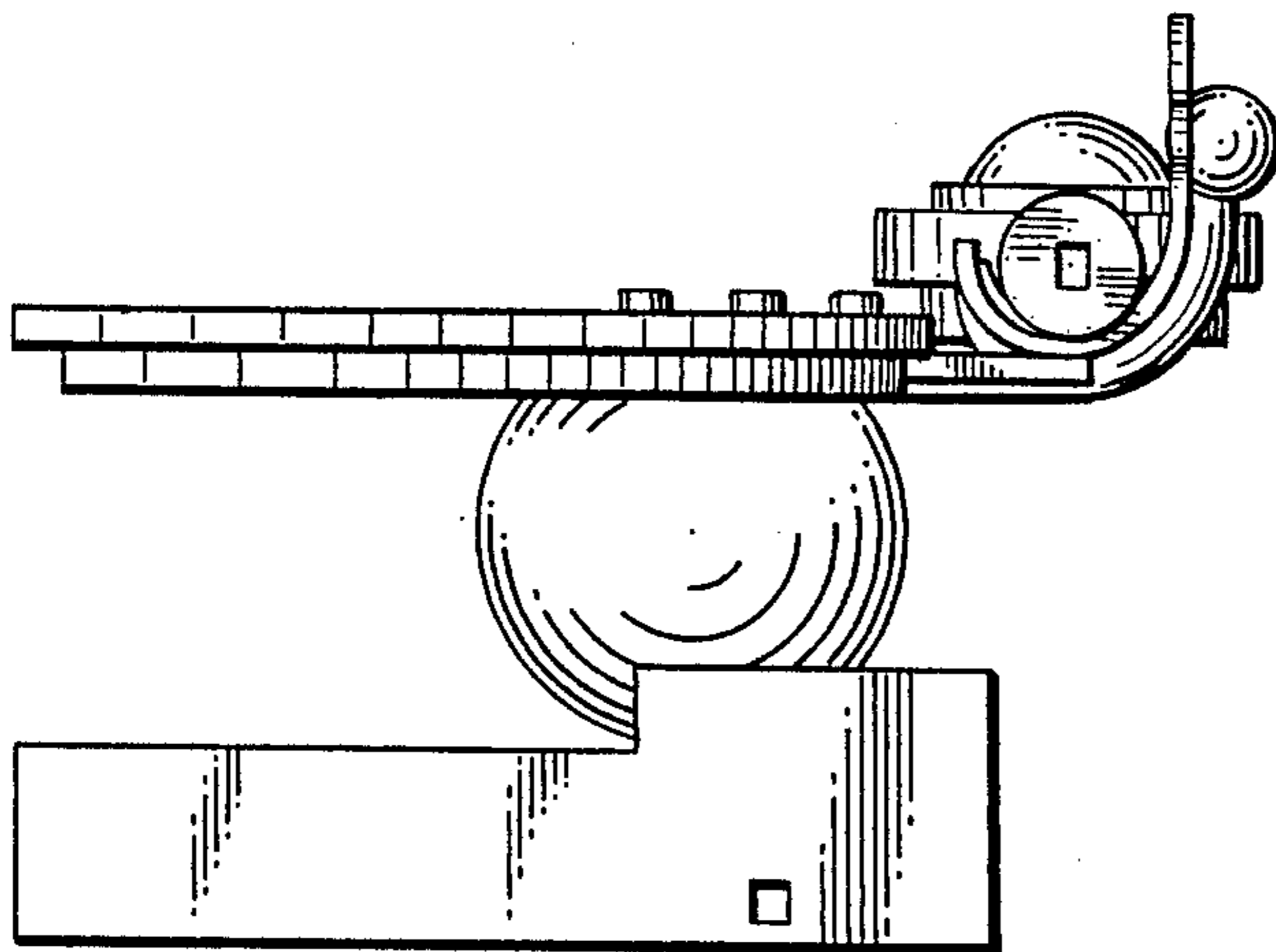


FIG. 12

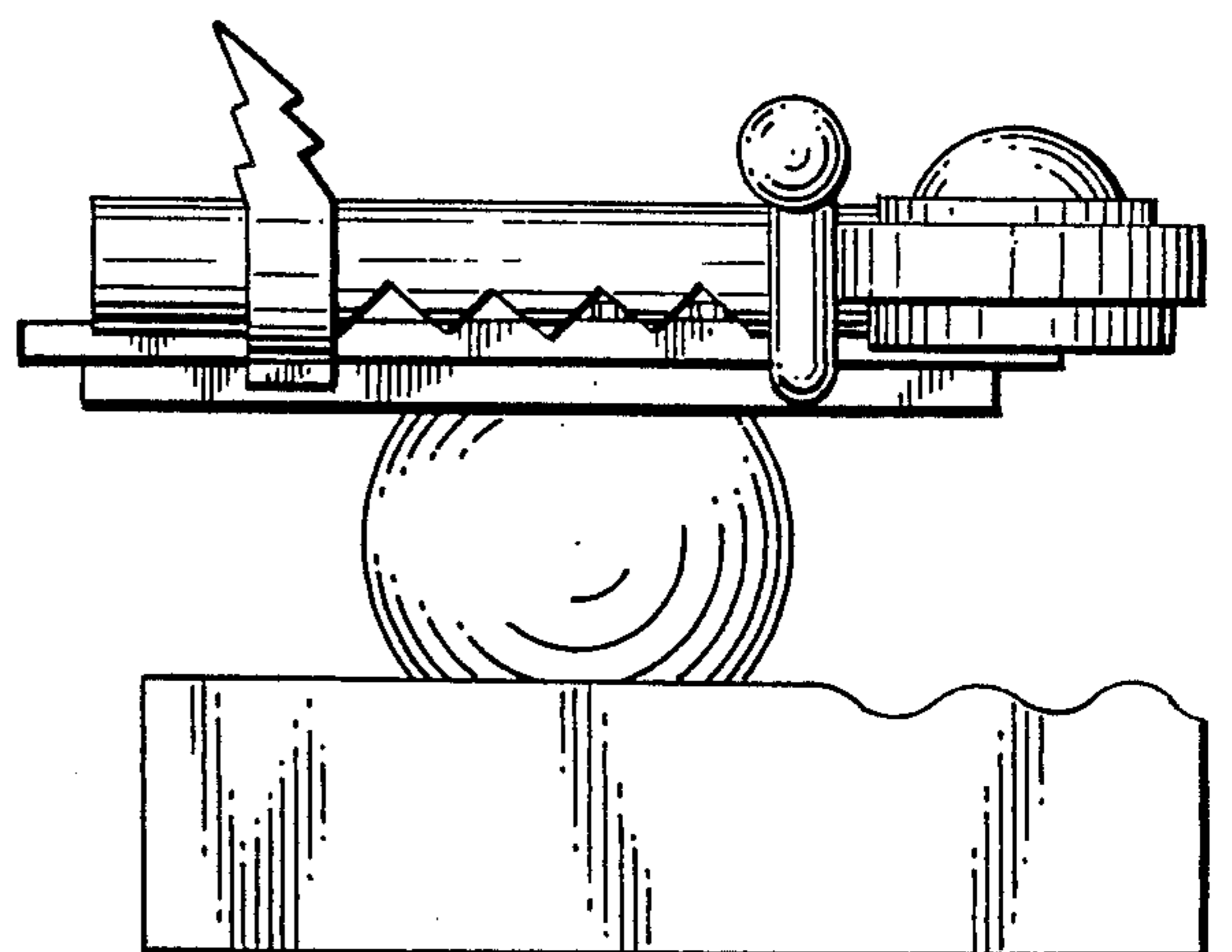


FIG. 13

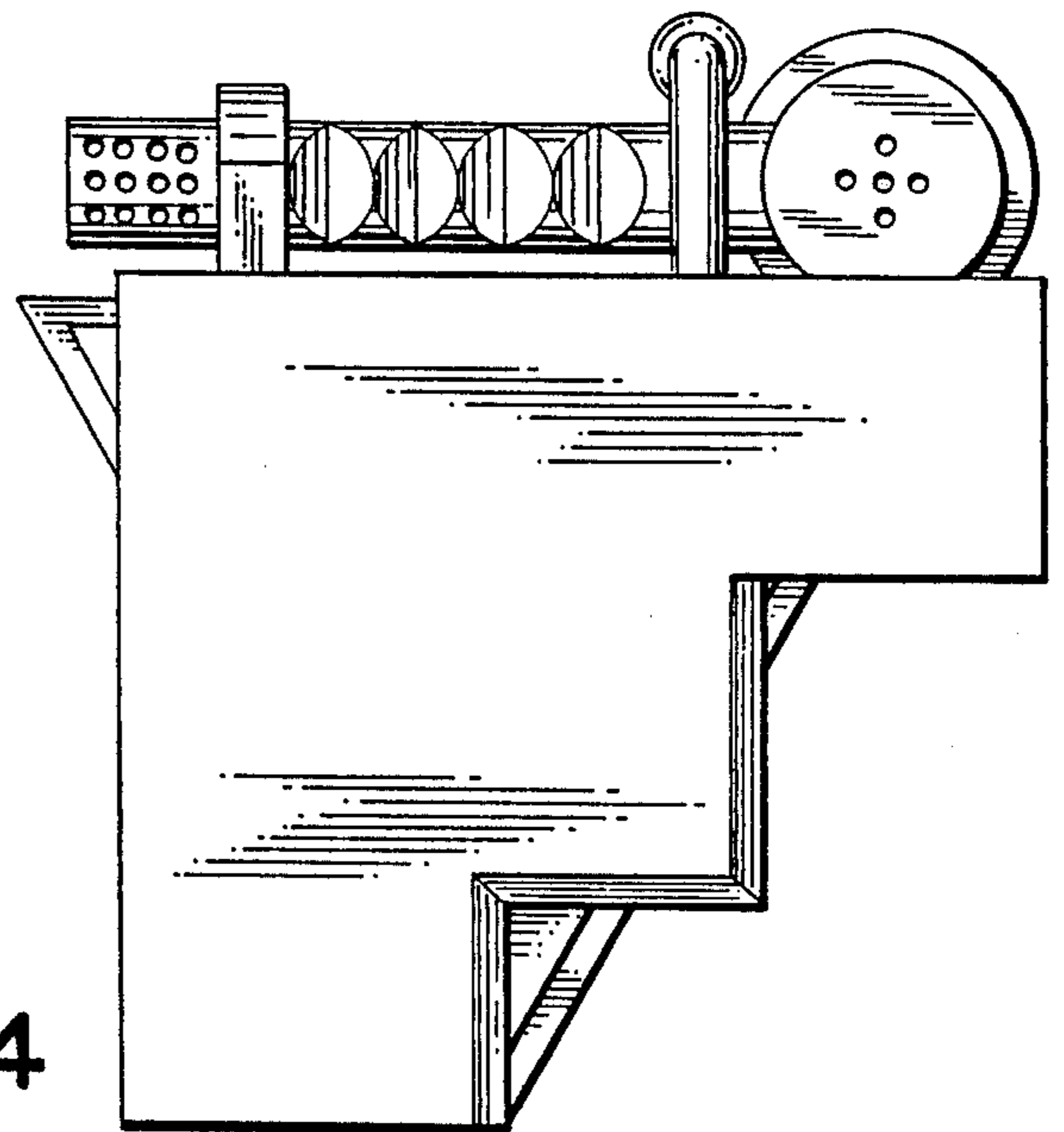


FIG. 14