

[54] MODEM OR SIMILAR ARTICLE

[75] Inventors: Peter H. Muller, Los Gatos; Peter E. Lowe, Palo Alto; Peter R. Edwards, San Lorenzo, all of Calif.

[73] Assignee: Hayes Microcomputer Products, Inc., Norcross, Ga.

[\*\*] Term: 14 Years

[21] Appl. No.: 159,000

[22] Filed: Feb. 22, 1988

[52] U.S. Cl. .... D14/107

[58] Field of Search ..... D14/100, 107, 114; D13/40, 41, 11; 361/189, 190, 331, 333, 334, 346, 347, 356, 357, 379, 358, 381, 392, 415; 174/50, 52.1, 65 R; 364/708; 360/97-99, 133; 200/5 A, 5 R, 6 A, 6 R

[56] References Cited

U.S. PATENT DOCUMENTS

- D. 286,053 10/1986 McDaniel et al. .... D13/40 X
- D. 288,434 2/1987 Gemmell ..... D13/11
- D. 292,512 10/1987 Hames ..... D13/11
- 4,389,469 6/1983 Nicholls ..... D13/11 X
- 4,544,811 10/1985 Brevick ..... 200/5 R

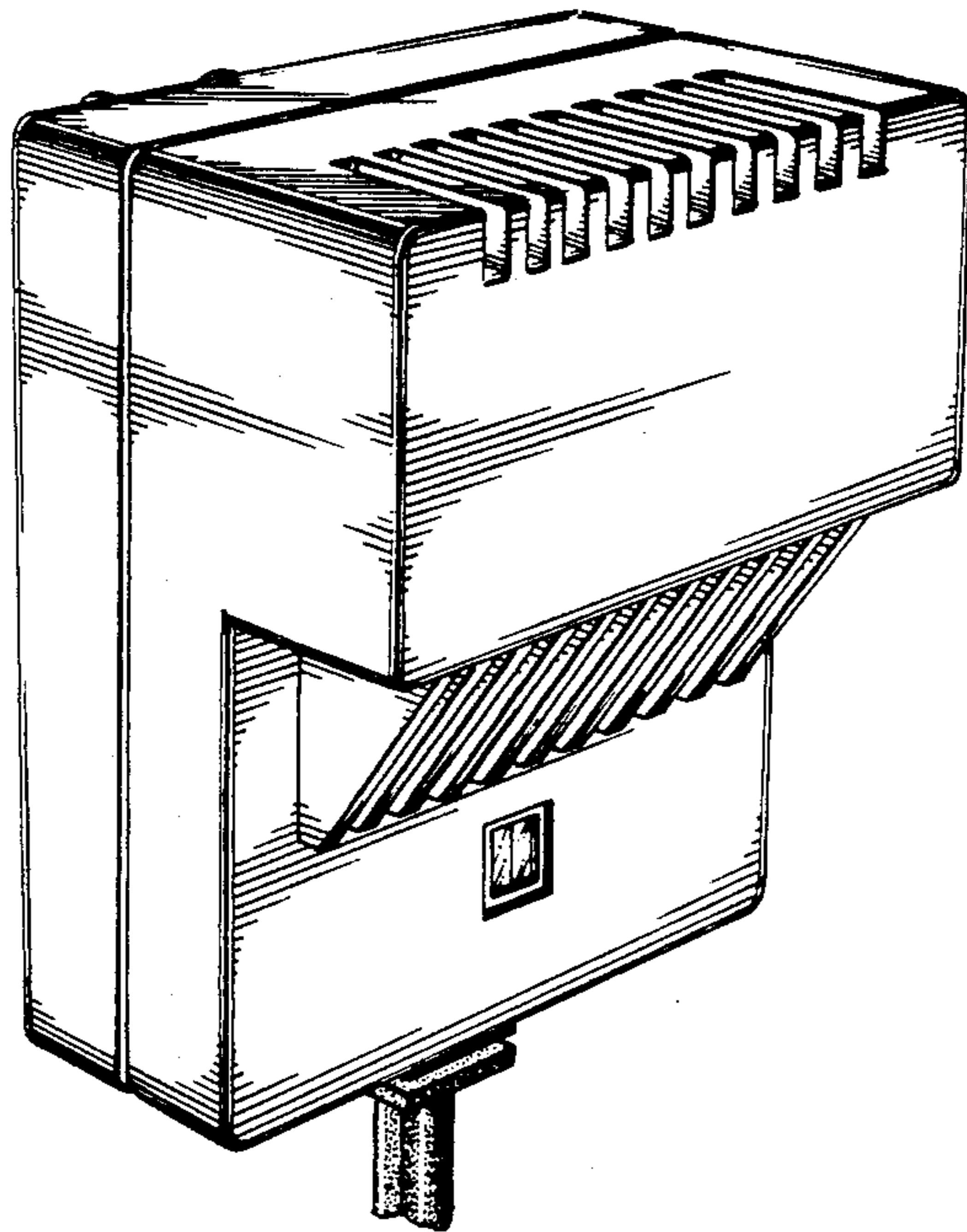
Primary Examiner—Susan J. Lucas  
Assistant Examiner—Freda S. Nunn  
Attorney, Agent, or Firm—Jones, Askew & Lunsford

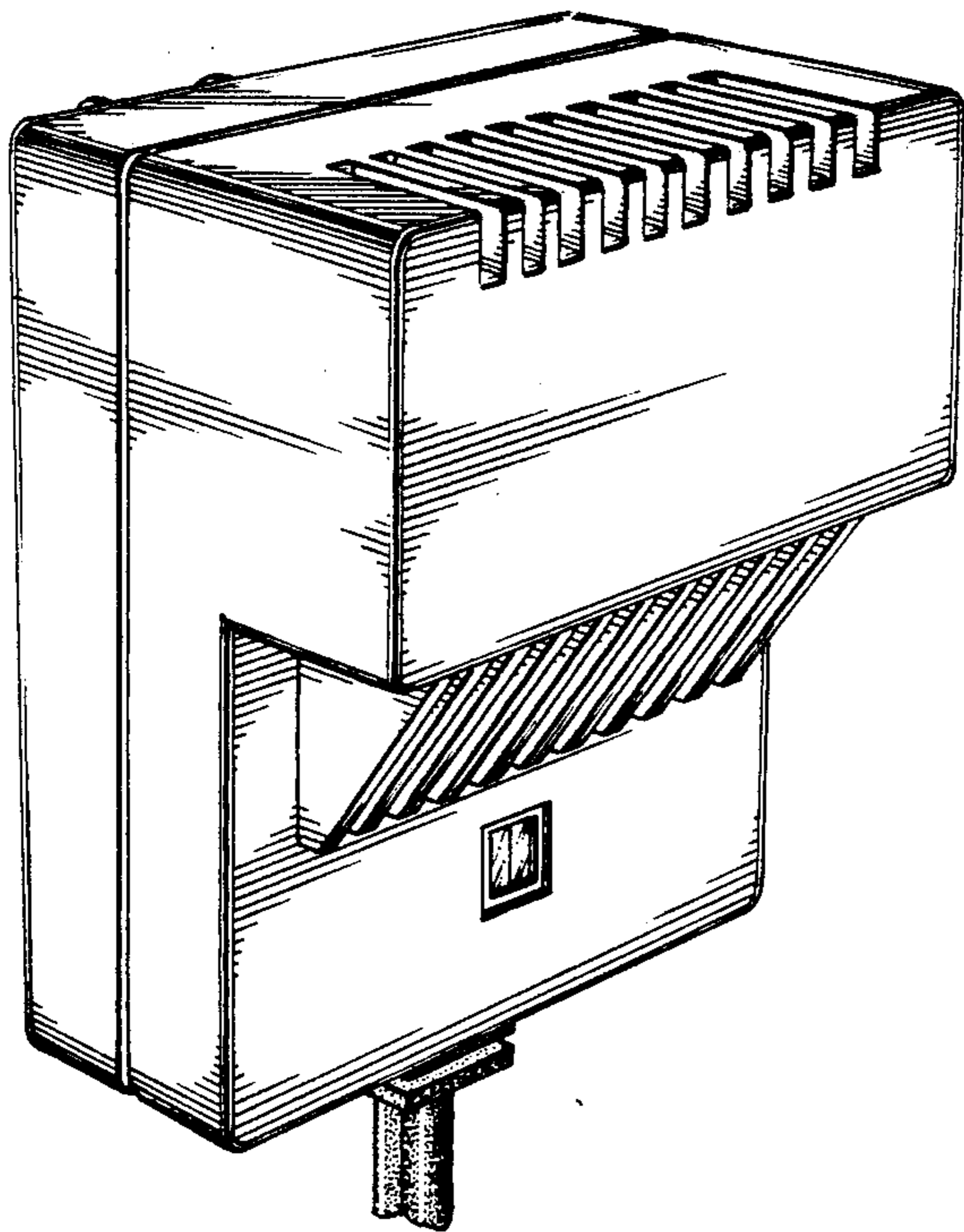
[57] CLAIM

The ornamental design for a modem or similar article, as shown and described.

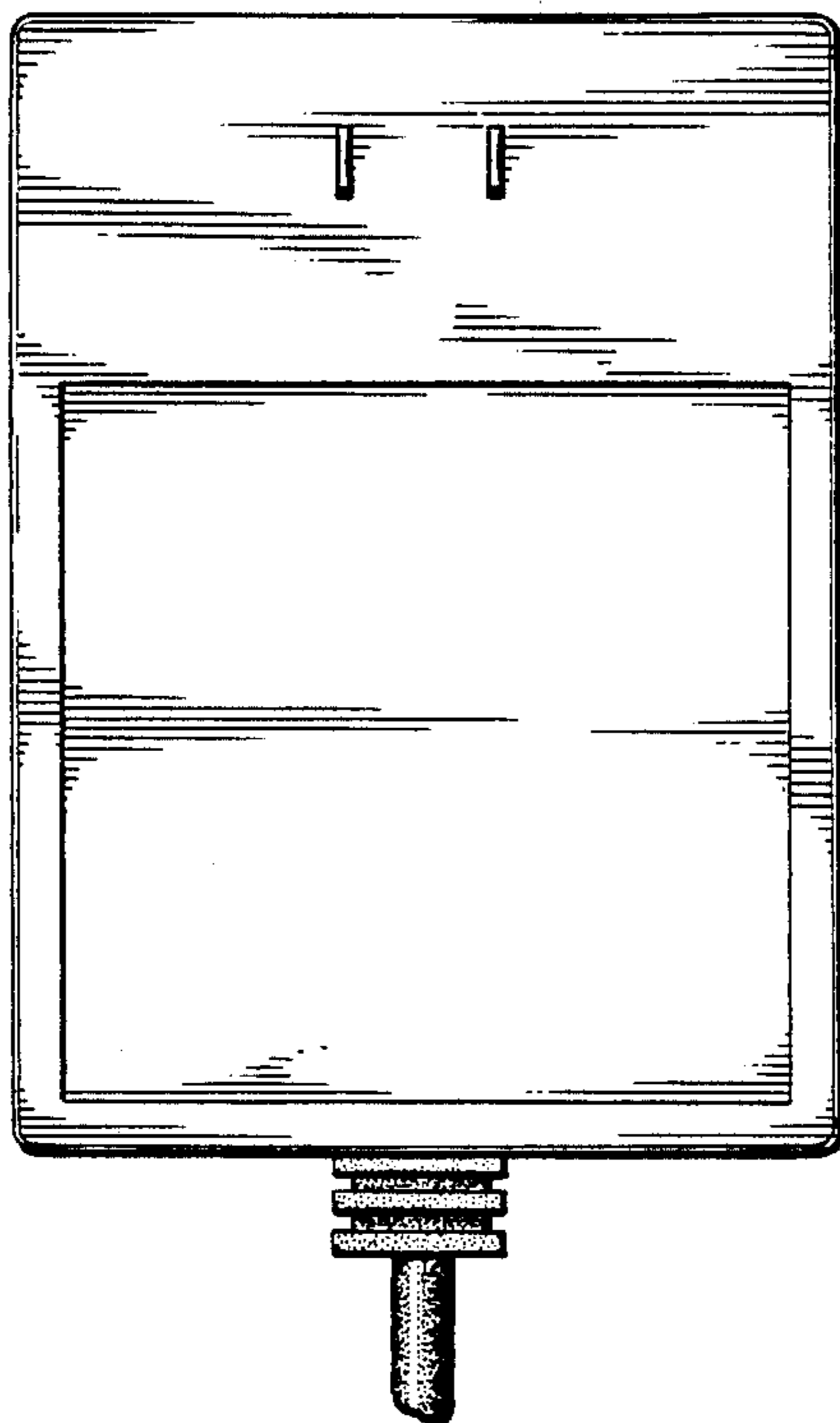
DESCRIPTION

FIG. 1 is a perspective view of a modem or similar article showing our new design;  
FIG. 2 is a rear elevation view thereof;  
FIG. 3 is a left side elevation view thereof;  
FIG. 4 is a top plan view thereof;  
FIG. 5 is a front elevation view thereof; and  
FIG. 6 is a bottom plan view thereof.

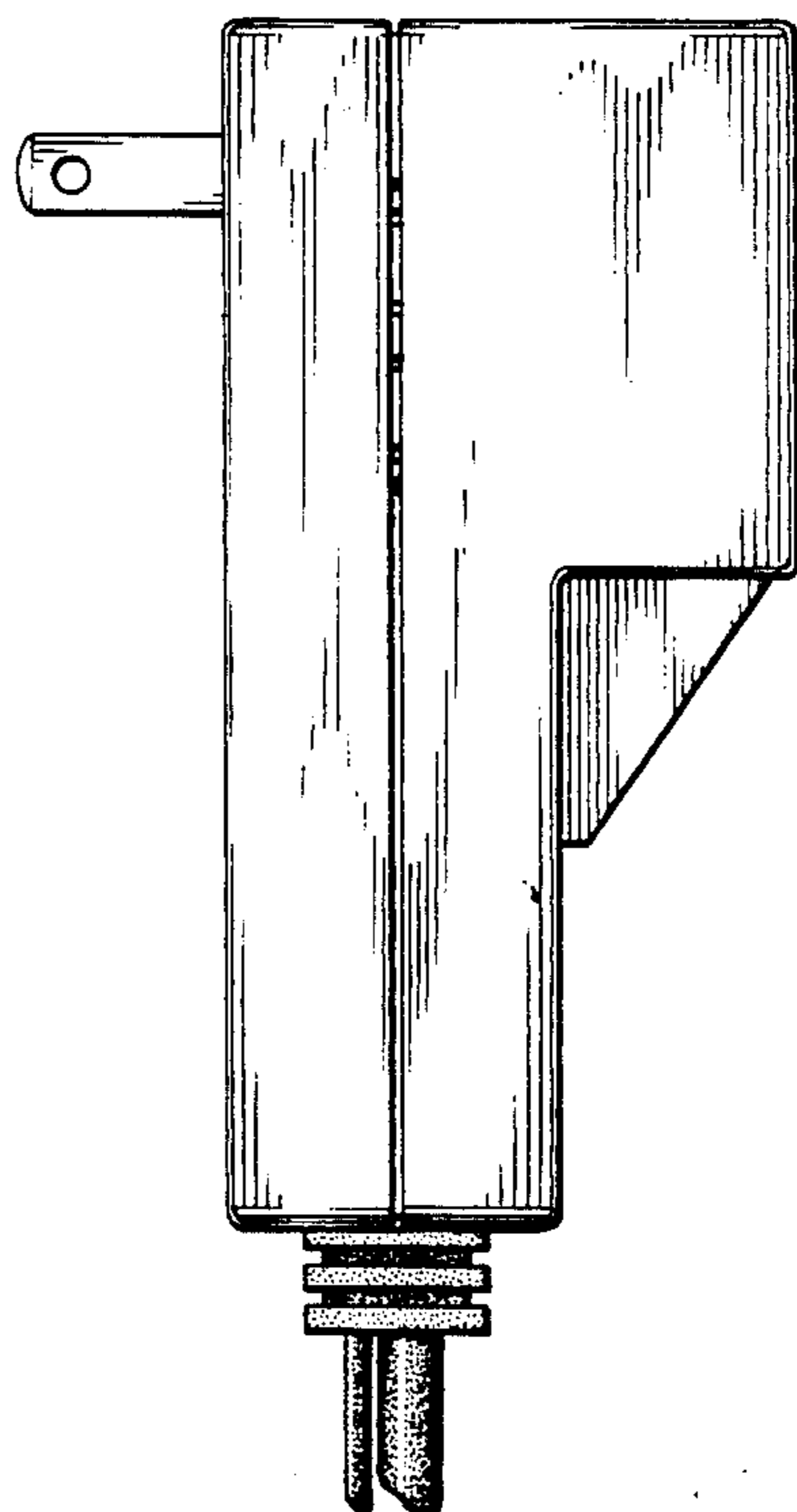




**FIG 1**

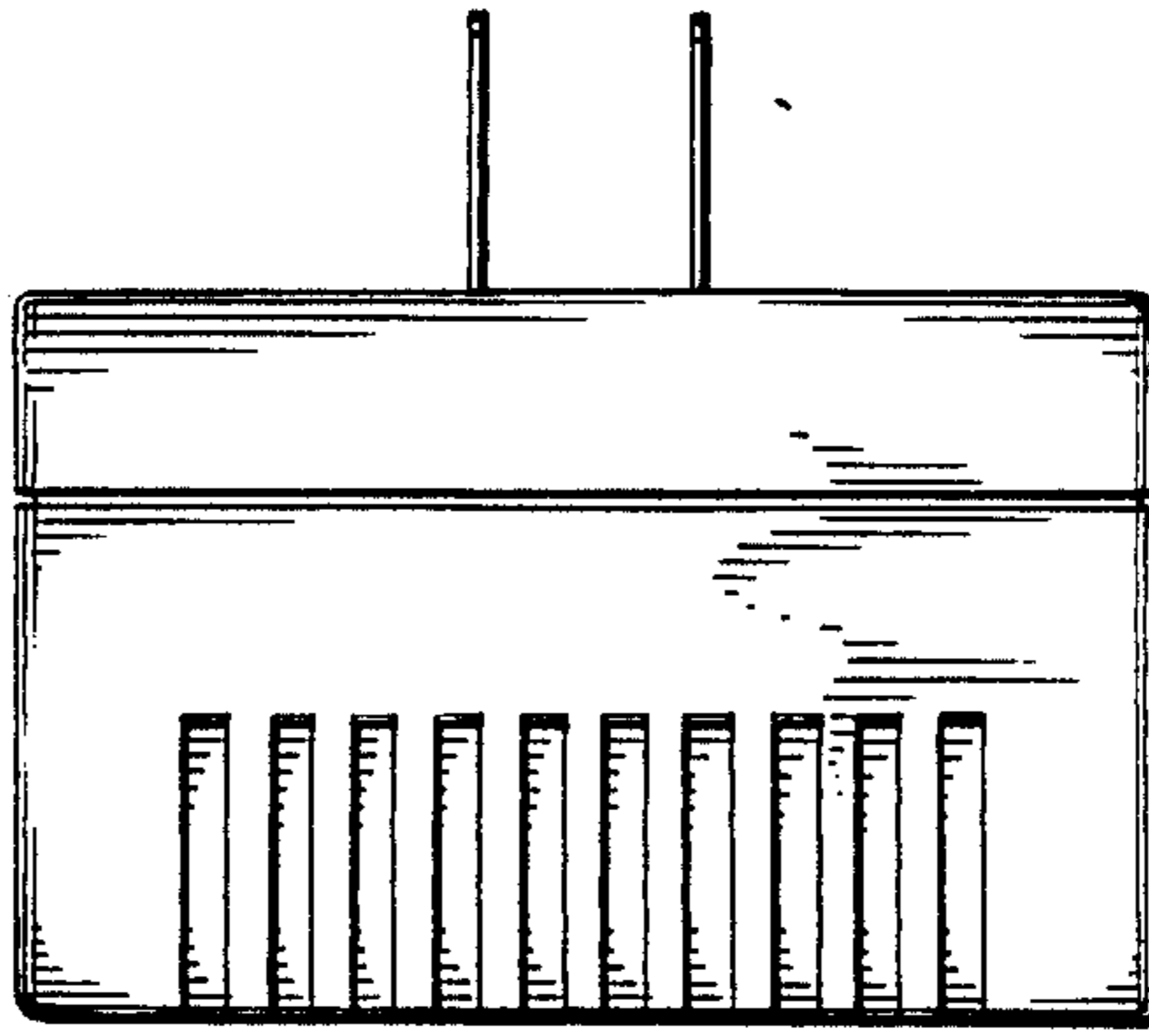


**FIG 2**

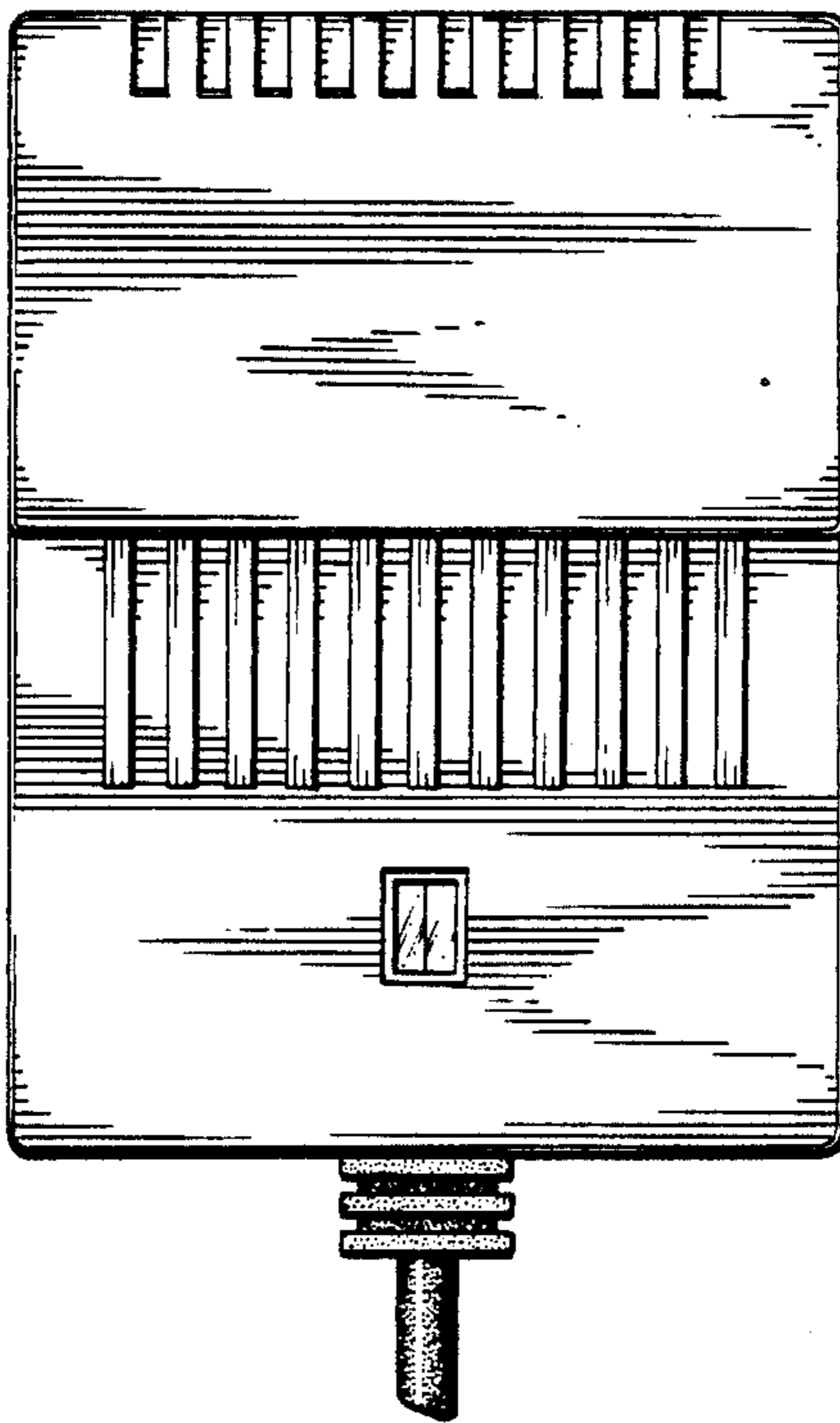


**FIG 3**

**FIG 4**



**FIG 5**



**FIG 6**

