

[54] OPTICAL CHARACTER READER FOR ELECTRONIC COMPUTERS

4,247,192 1/1981 Komori et al. 355/46 X
4,751,743 6/1988 Ishino 382/59

[75] Inventor: Hideyuki Horie, Kamagaya, Japan

FOREIGN PATENT DOCUMENTS

[73] Assignee: Kabushiki Kaisha Toshiba, Kawasaki, Japan

0086878 5/1986 Japan 382/65

[**] Term: 14 Years

OTHER PUBLICATIONS

[21] Appl. No.: 108,724

Totec—Nov. 1983 Front Cover—Optical Character Reader Computer Box—"Readers".

[22] Filed: Oct. 15, 1987

Primary Examiner—Susan J. Lucas
Assistant Examiner—Freda S. Nunn
Attorney, Agent, or Firm—Oblon, Spivak, McClelland, Maier & Neustadt

[30] Foreign Application Priority Data

Apr. 20, 1987 [JP] Japan 62-15154

[52] U.S. Cl. D14/107

[58] Field of Search D14/100, 105, 107, 114, D14/116; 235/454, 462, 470, 471, 472, 473, 475, 479; 250/203 R, 566, 568, 569, 239; 358/408, 473, 474, 497; 354/80, 81, 82; 355/231, 233, 46; 382/58, 59, 62, 63, 65

[57] CLAIM

The ornamental design for an optical character reader for electronic computers, as shown.

DESCRIPTION

FIG. 1 is a top, front and right side perspective view of an optical character reader for electronic computers showing my new design;
FIG. 2 is a front elevational view thereof;
FIG. 3 is a rear elevational view thereof;
FIG. 4 is a right side elevational view thereof;
FIG. 5 is a left side elevational view thereof;
FIG. 6 is a top plan view thereof; and
FIG. 7 is a bottom plan view thereof.

[56] References Cited

U.S. PATENT DOCUMENTS

D. 277,006 1/1985 Takahashi et al. D14/107
D. 295,412 4/1988 Izaki D14/107
D. 295,413 4/1988 Nakamura et al. D14/105 X
3,886,371 5/1975 Lloyd 382/65

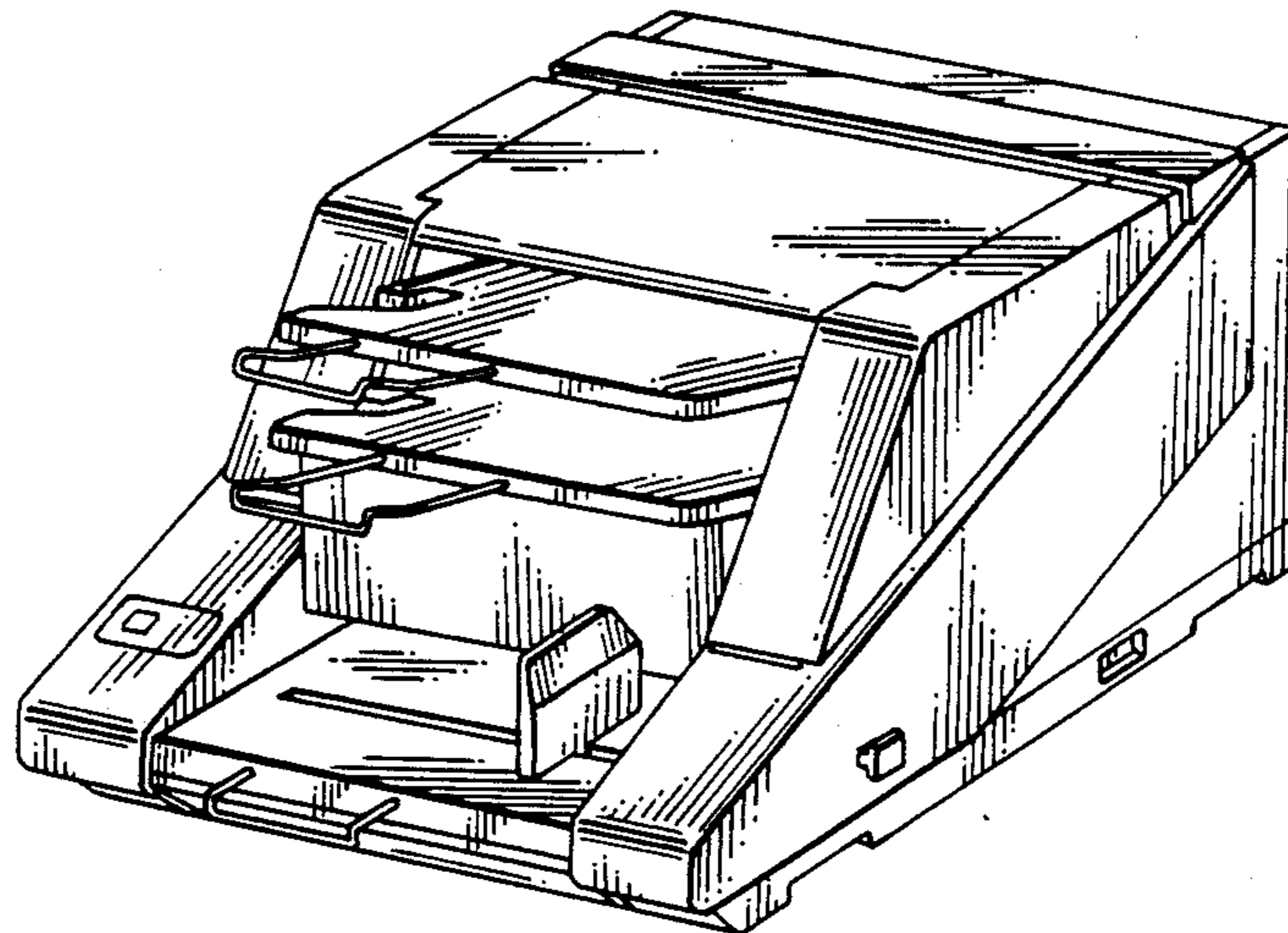


FIG. 1

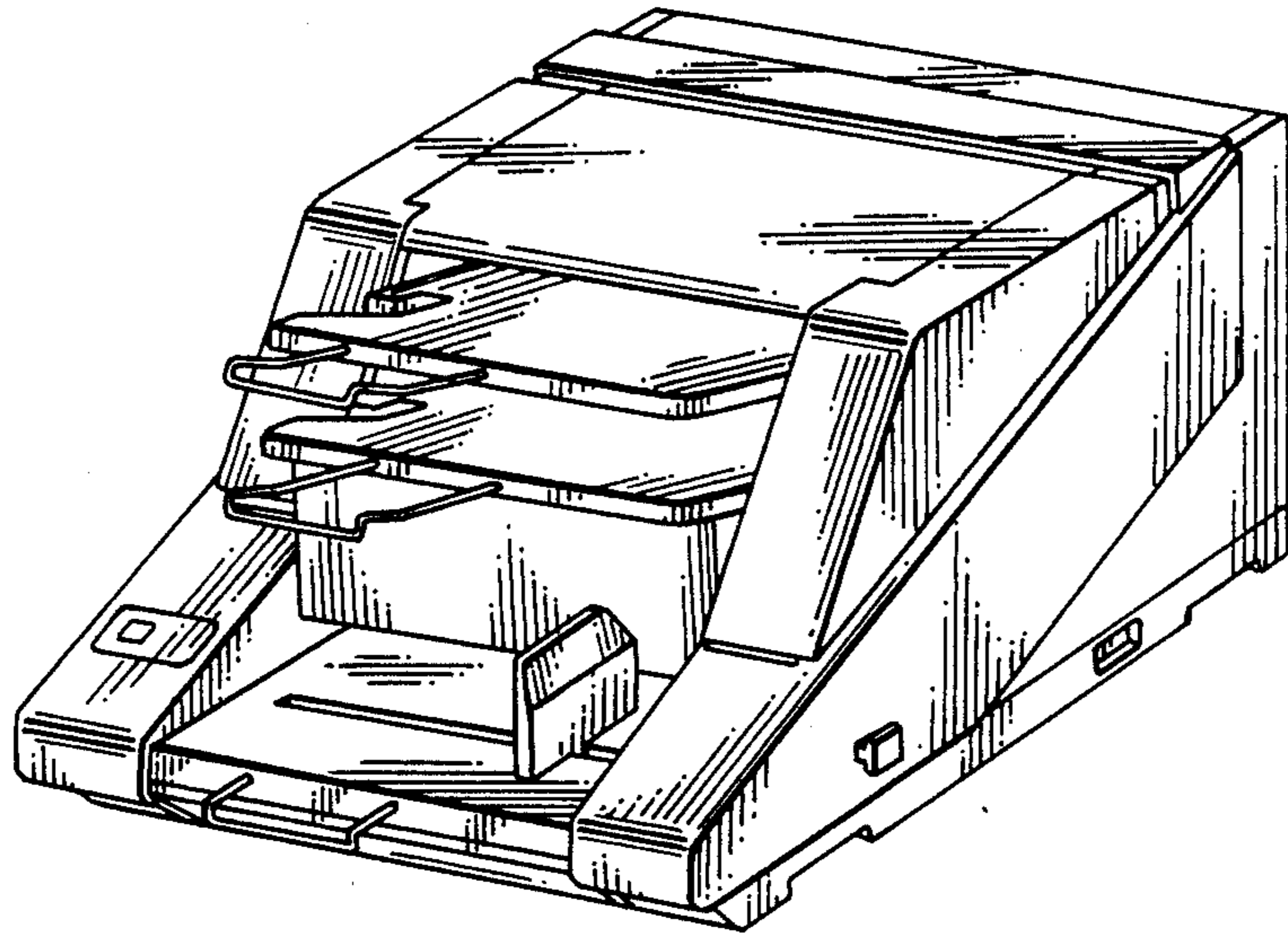


FIG. 2

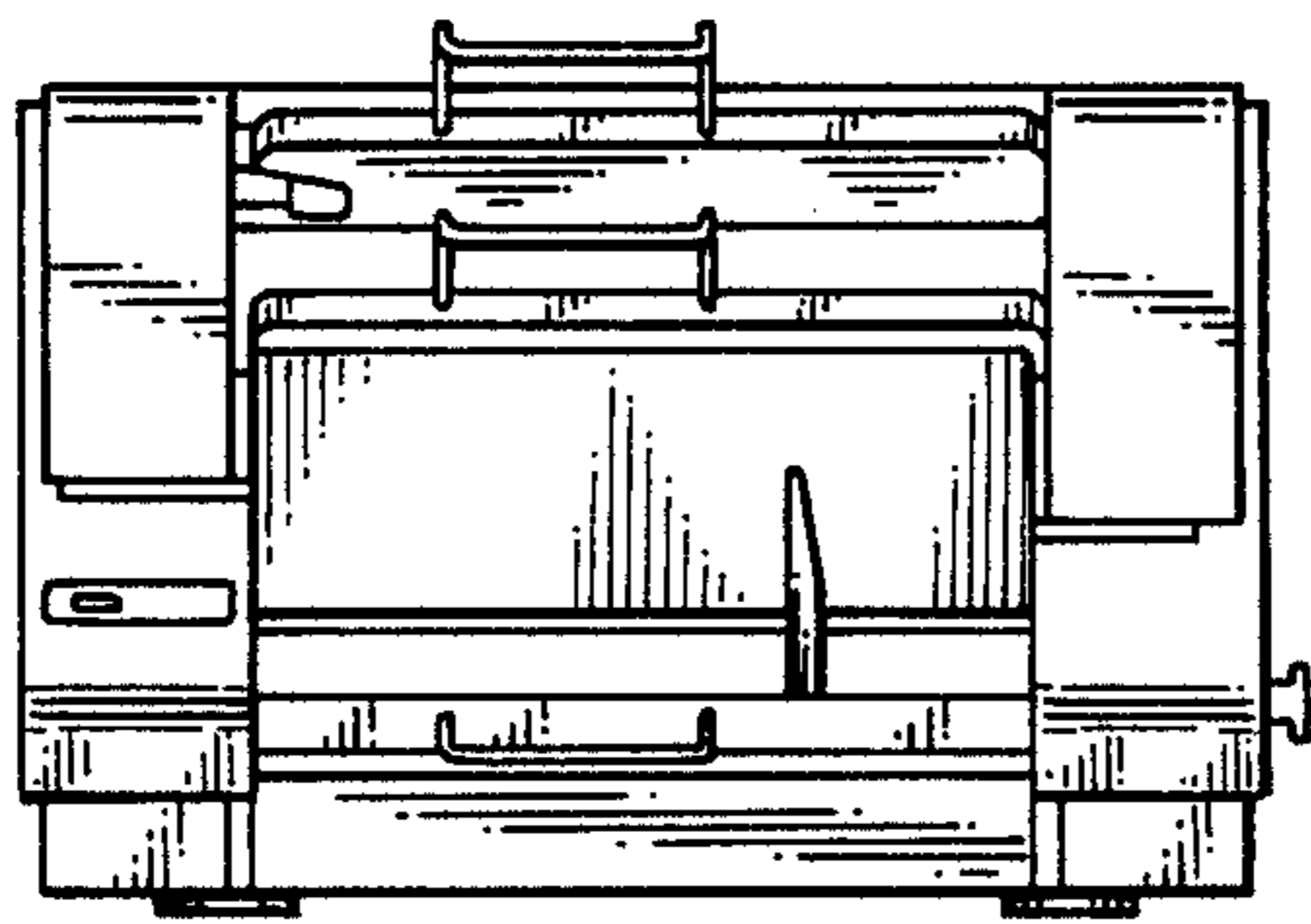


FIG. 3

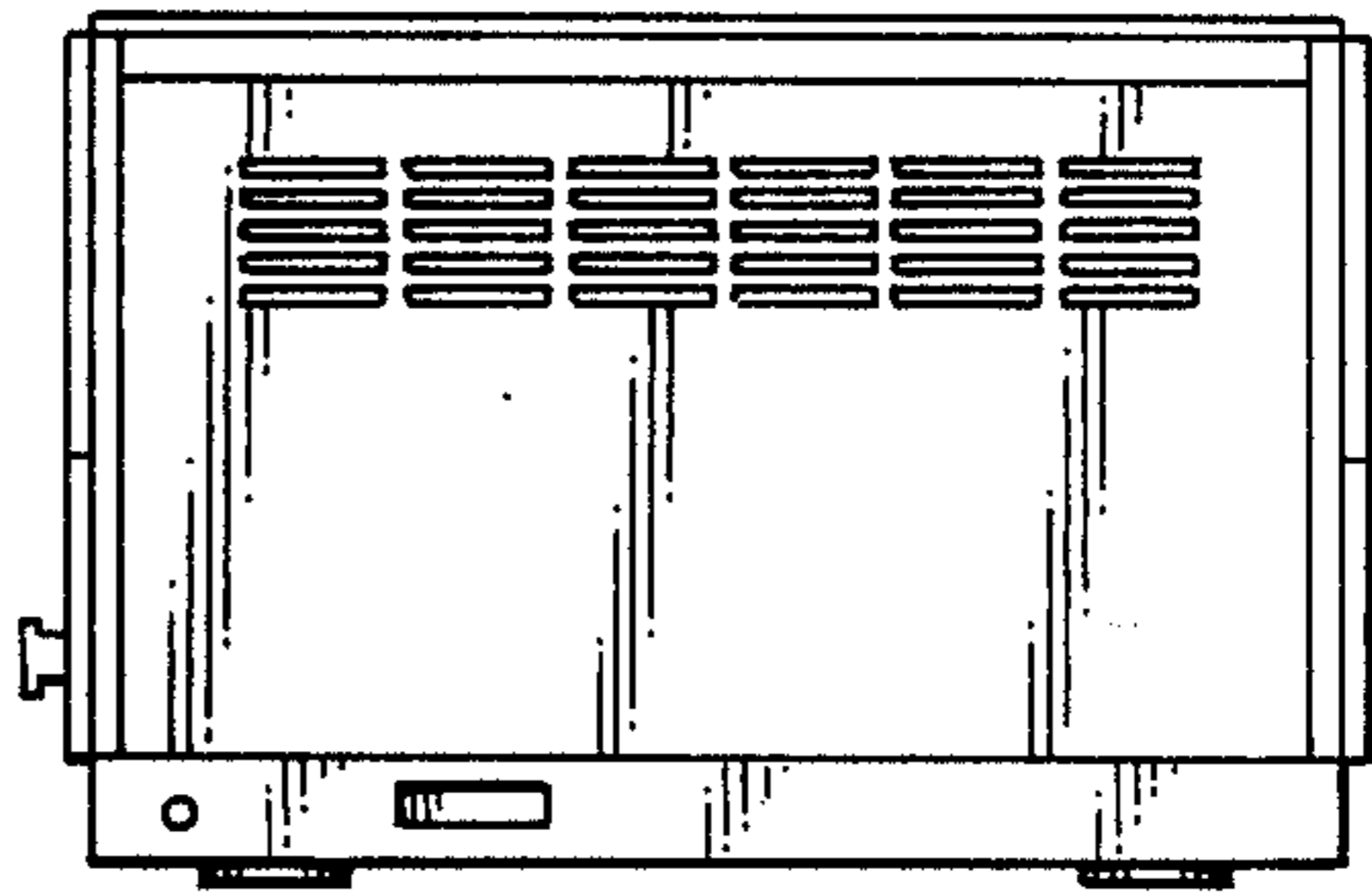


FIG. 4

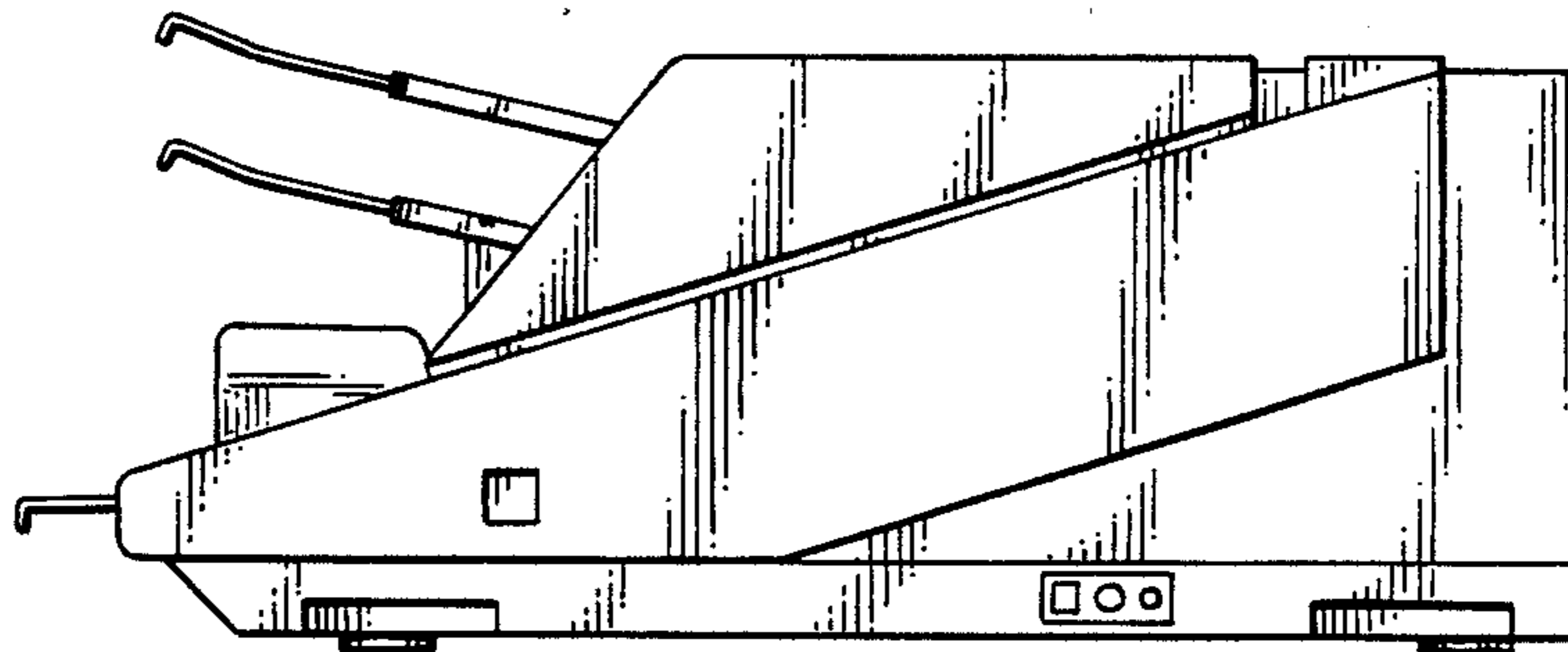


FIG. 5

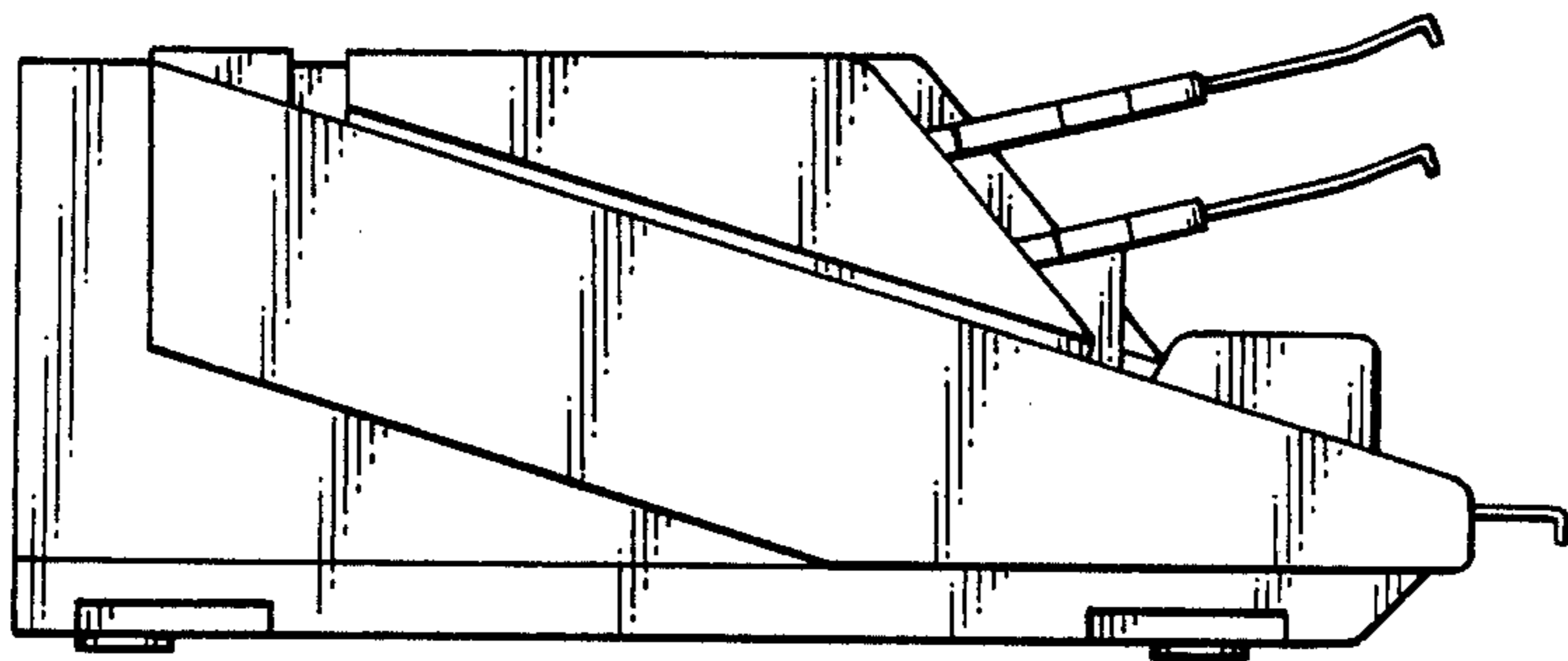


FIG. 6

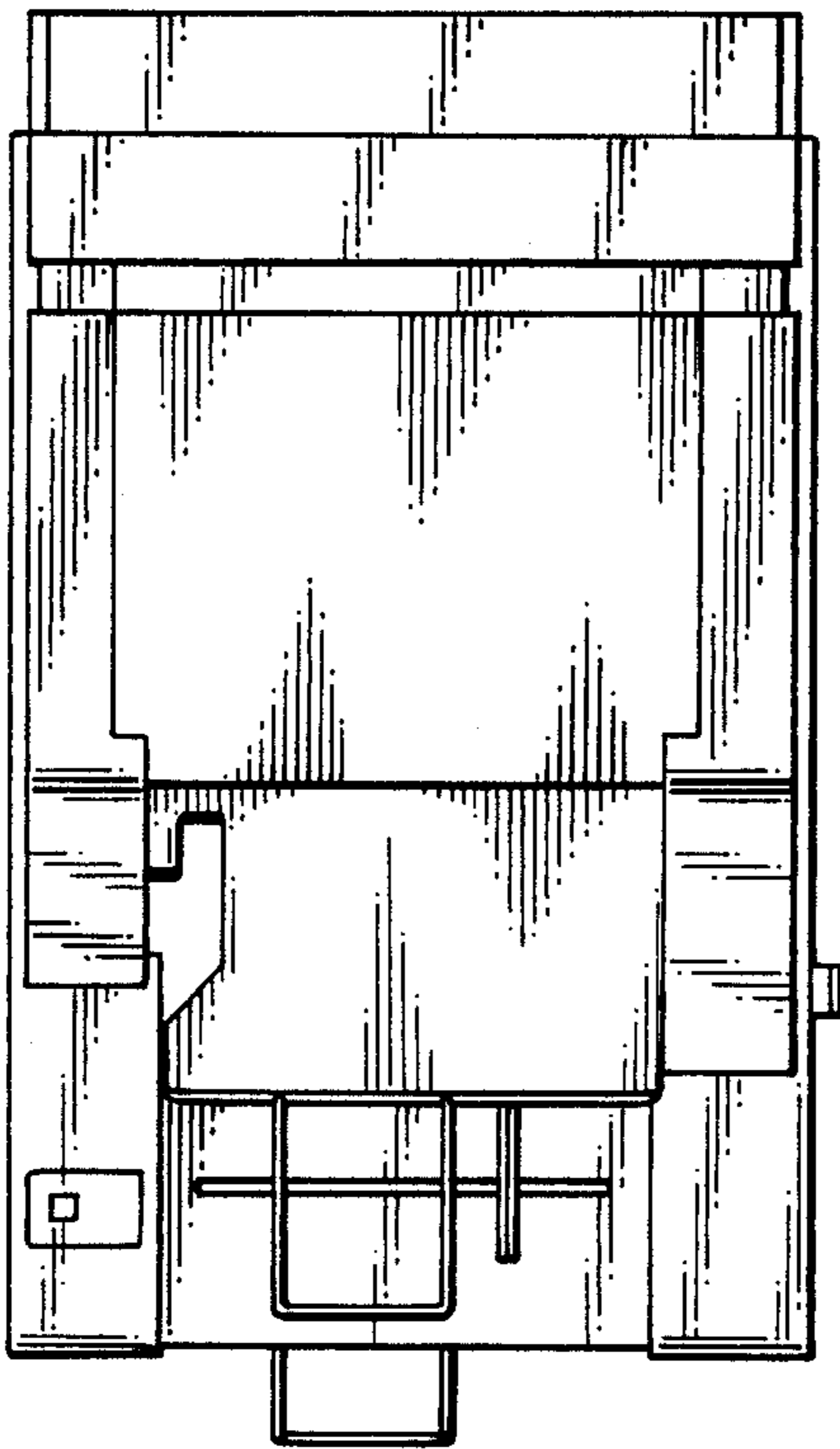


FIG. 7

