

[54] BEVERAGE DISPENSING TRAILER

[76] Inventor: David R. Young, 8704 Easy St., Massillon, Ohio 44646

[**] Term: 14 Years

[21] Appl. No.: 18,988

[22] Filed: Feb. 25, 1987

[52] U.S. Cl. D12/102

[58] Field of Search D12/102-105, D12/83; D7/300; D34/14; 280/63; 296/22, 24.1, 181

[56] References Cited

U.S. PATENT DOCUMENTS

- D. 116,544 9/1939 Ruttner D12/96
- D. 145,452 8/1946 Lewis D12/96
- D. 197,223 12/1963 Moe D12/83
- D. 240,494 7/1976 Beasley D12/102
- D. 259,481 6/1981 Kappos D12/102
- D. 266,833 11/1982 Wharton D12/83
- D. 268,922 5/1983 Richer D12/105
- D. 284,954 8/1986 Lamb D12/83

Primary Examiner—James M. Gandy
Assistant Examiner—Melody N. Brown
Attorney, Agent, or Firm—Michael Sand Co.

[57] CLAIM

The ornamental design for a beverage dispensing trailer, as shown and described.

DESCRIPTION

FIG. 1 is a perspective view of a beverage dispensing trailer showing my new design;
 FIG. 2 is a top plan view thereof with the cover doors and support arms omitted for clarity of illustration;
 FIG. 3 is a side elevation view thereof with the cover doors in open condition;
 FIG. 4 is a front elevation view of FIG. 3;
 FIG. 5 is a rear elevation view of FIG. 3;
 FIG. 6 is an opposite side elevation view of FIG. 3;
 FIG. 7 is a perspective view of FIG. 3;
 FIG. 8 is a perspective view of a beverage dispensing trailer showing a second embodiment of my new design with the cover doors in open condition;
 FIG. 9 is a side elevation view of the side opposite to that shown in FIG. 7;
 FIG. 10 is a rear elevation view of FIG. 7;
 FIG. 11 is a top plan view of FIG. 7 with the cover doors in closed condition;
 FIG. 12 is a side elevation view of FIG. 10;
 FIG. 13 is a side elevational view of the second embodiment of the design as shown in FIG. 11 with the cover doors in open condition.

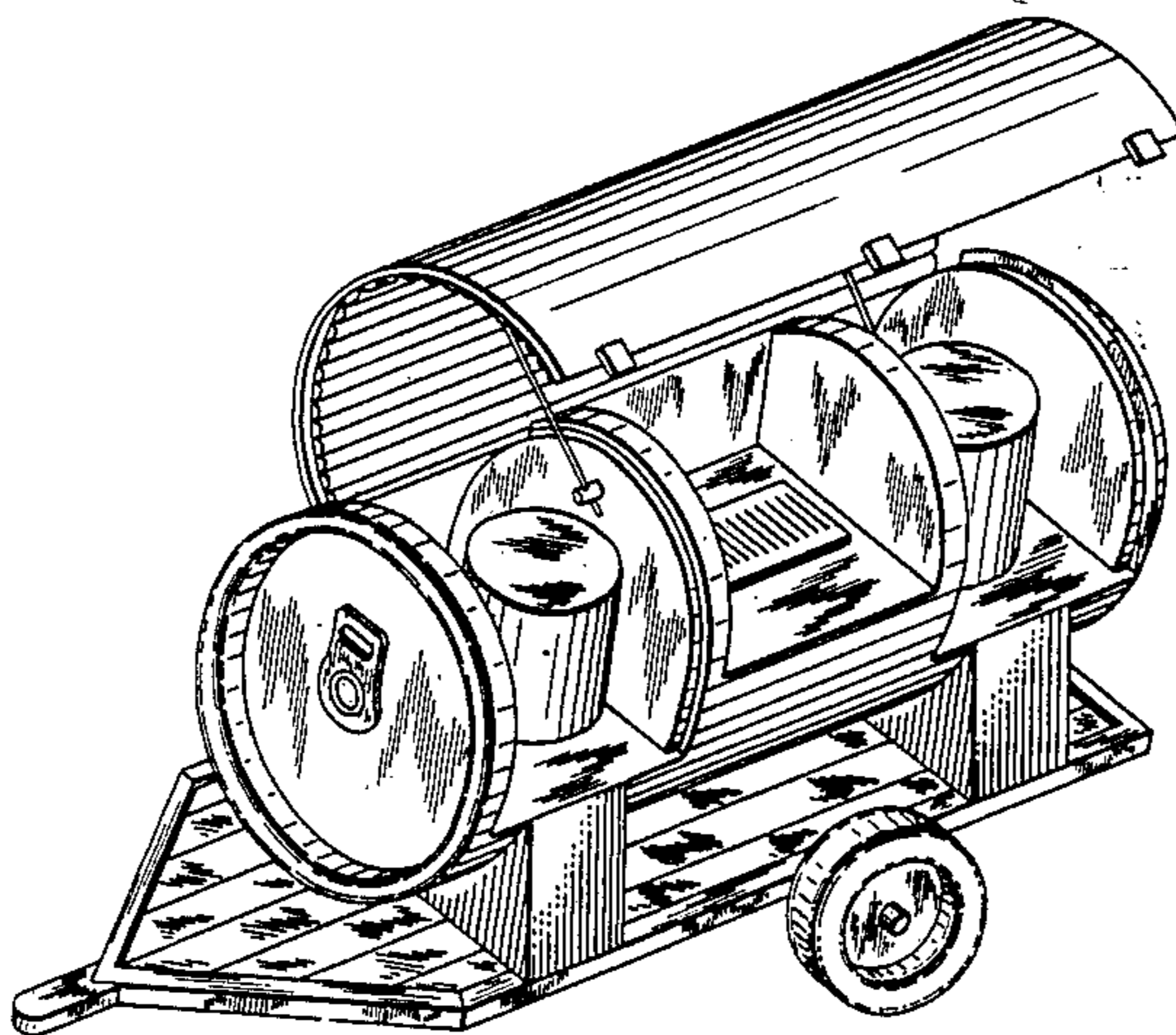


FIG. 1

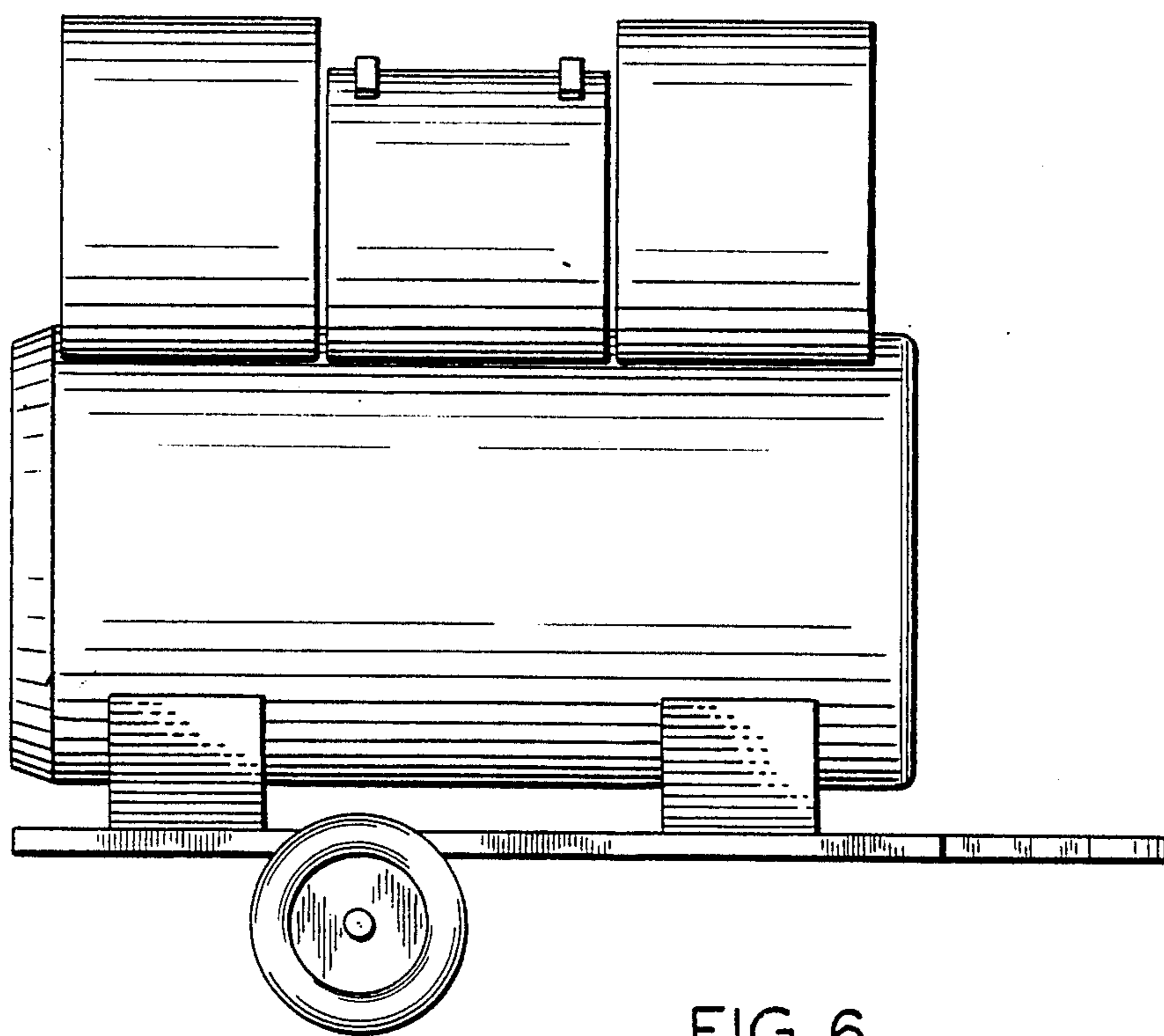
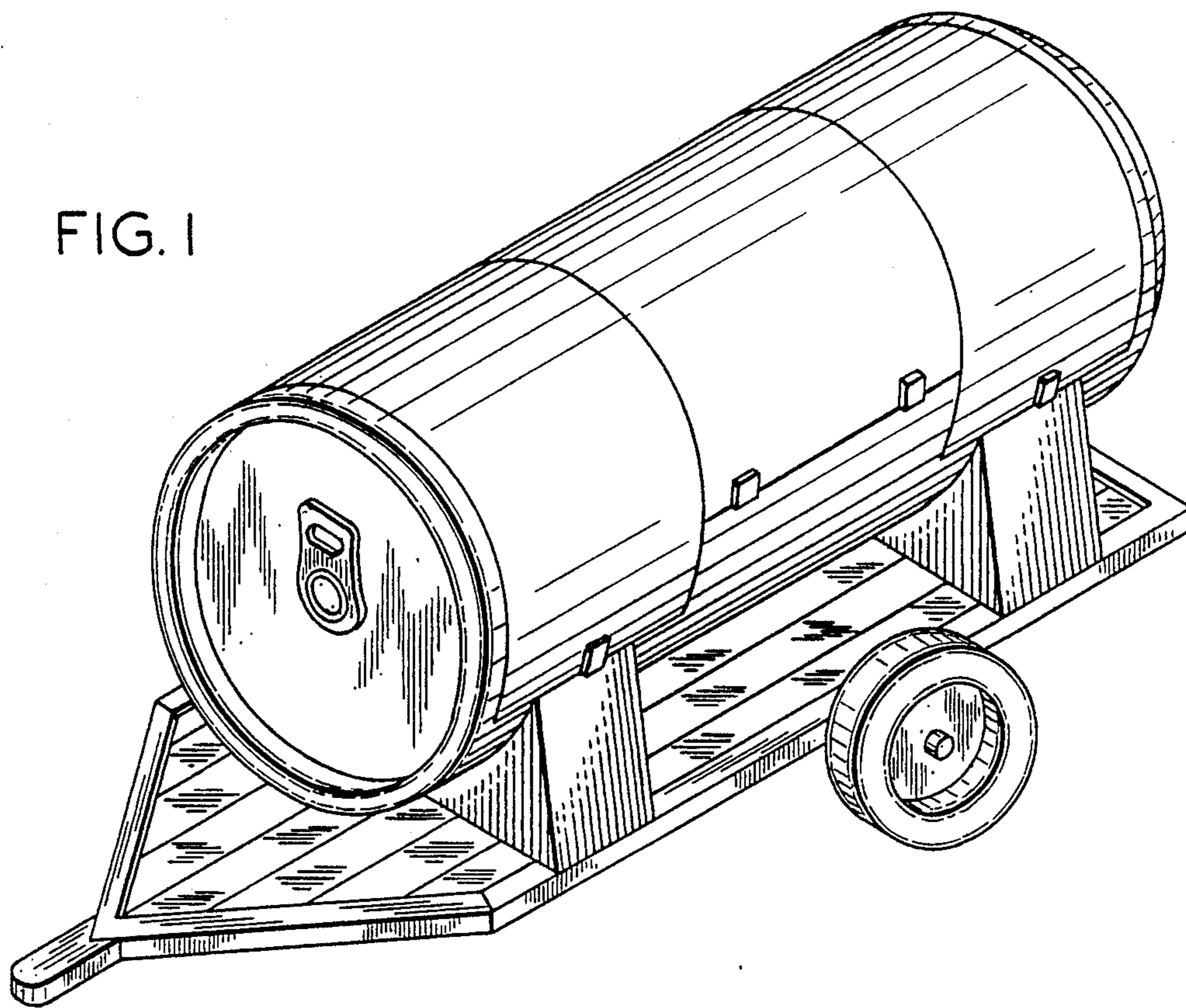


FIG. 6

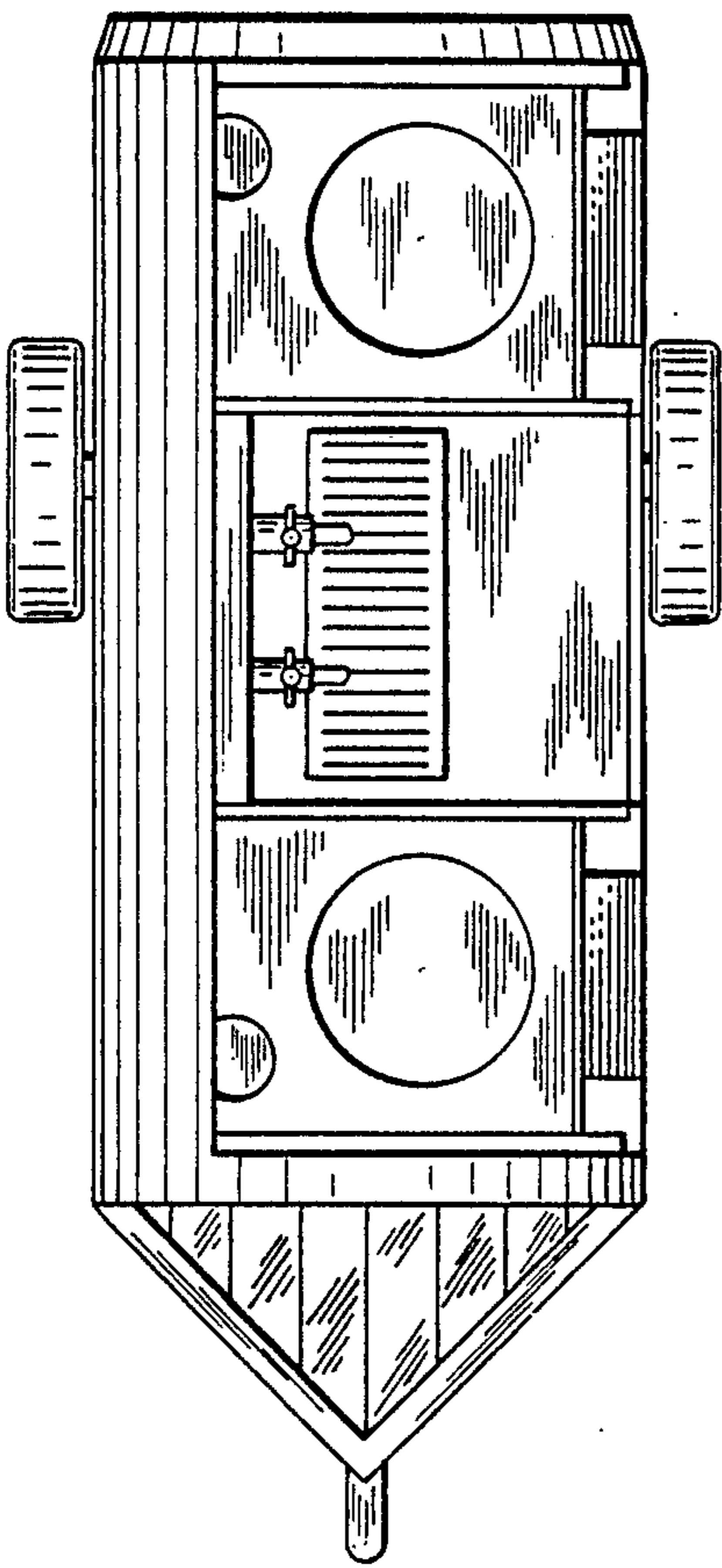


FIG. 2

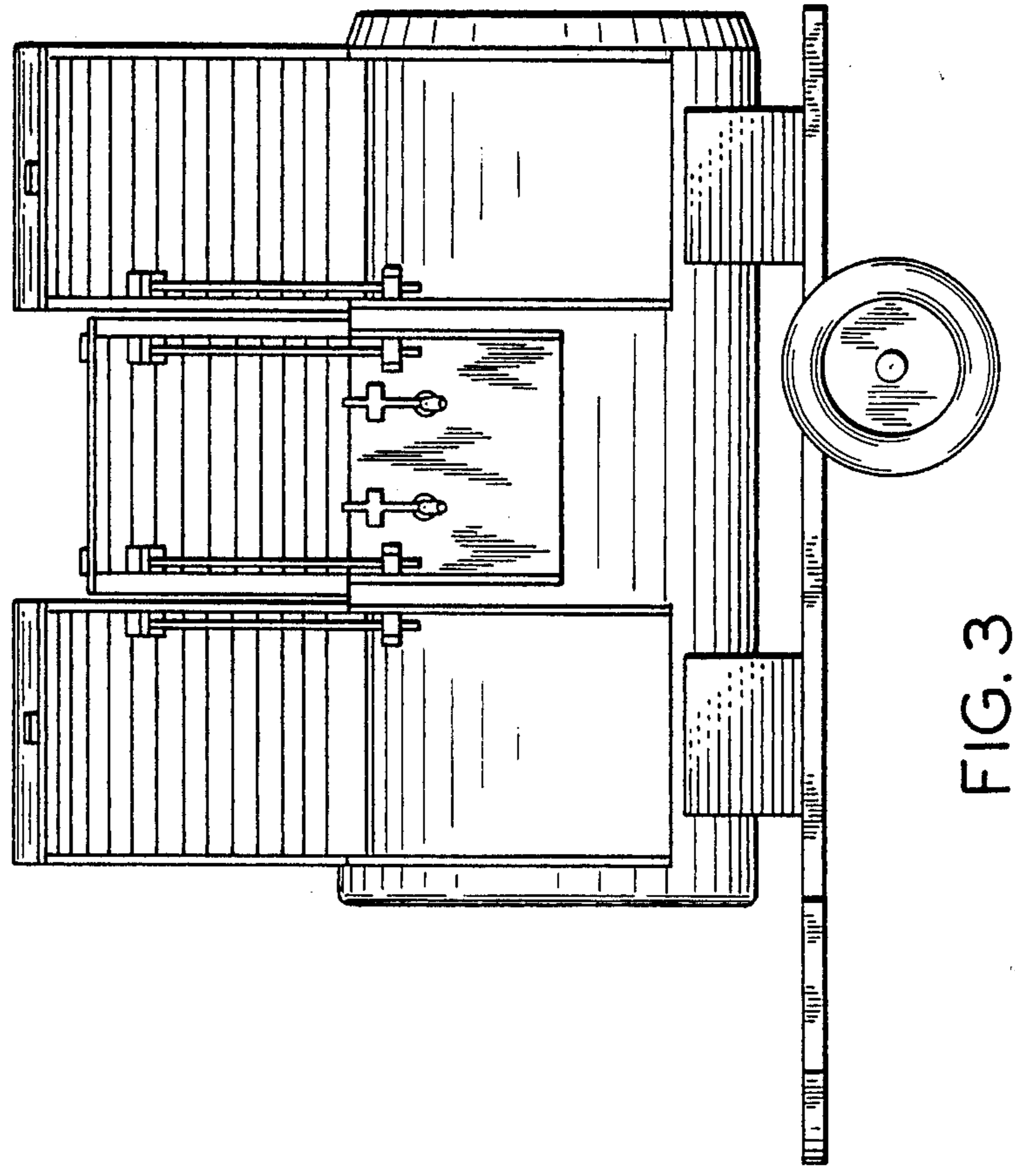


FIG. 3

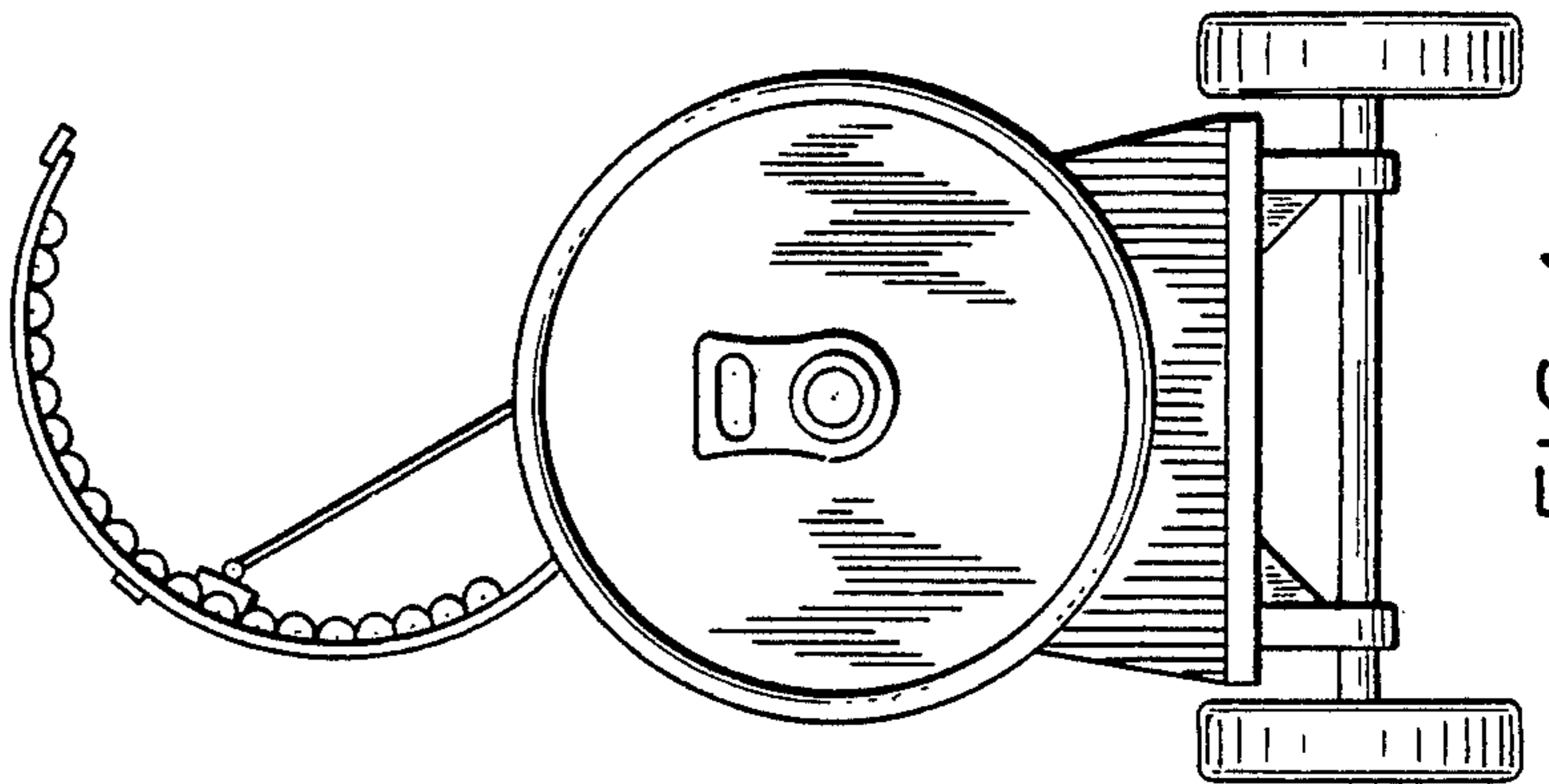


FIG. 4

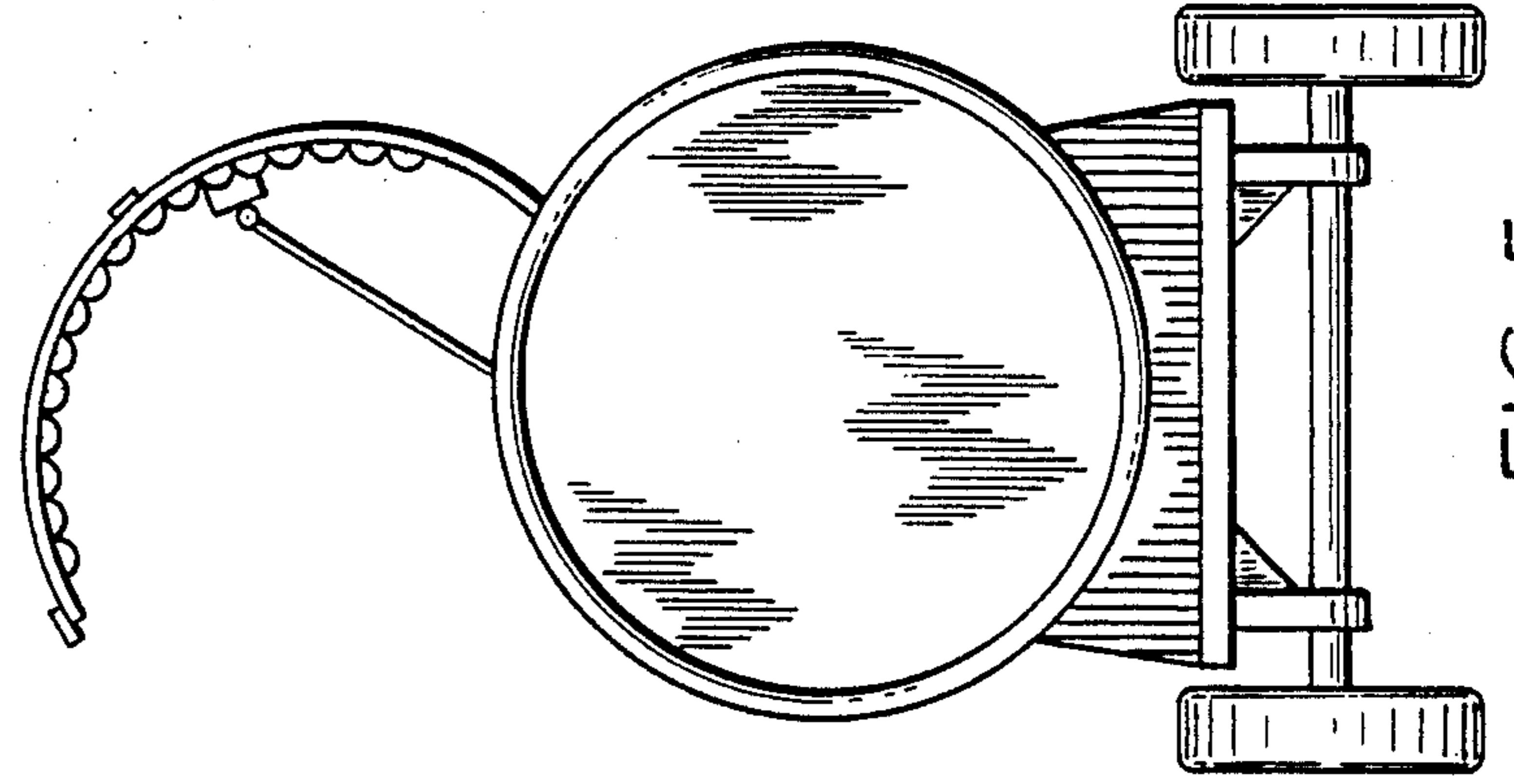


FIG. 5

FIG. 7

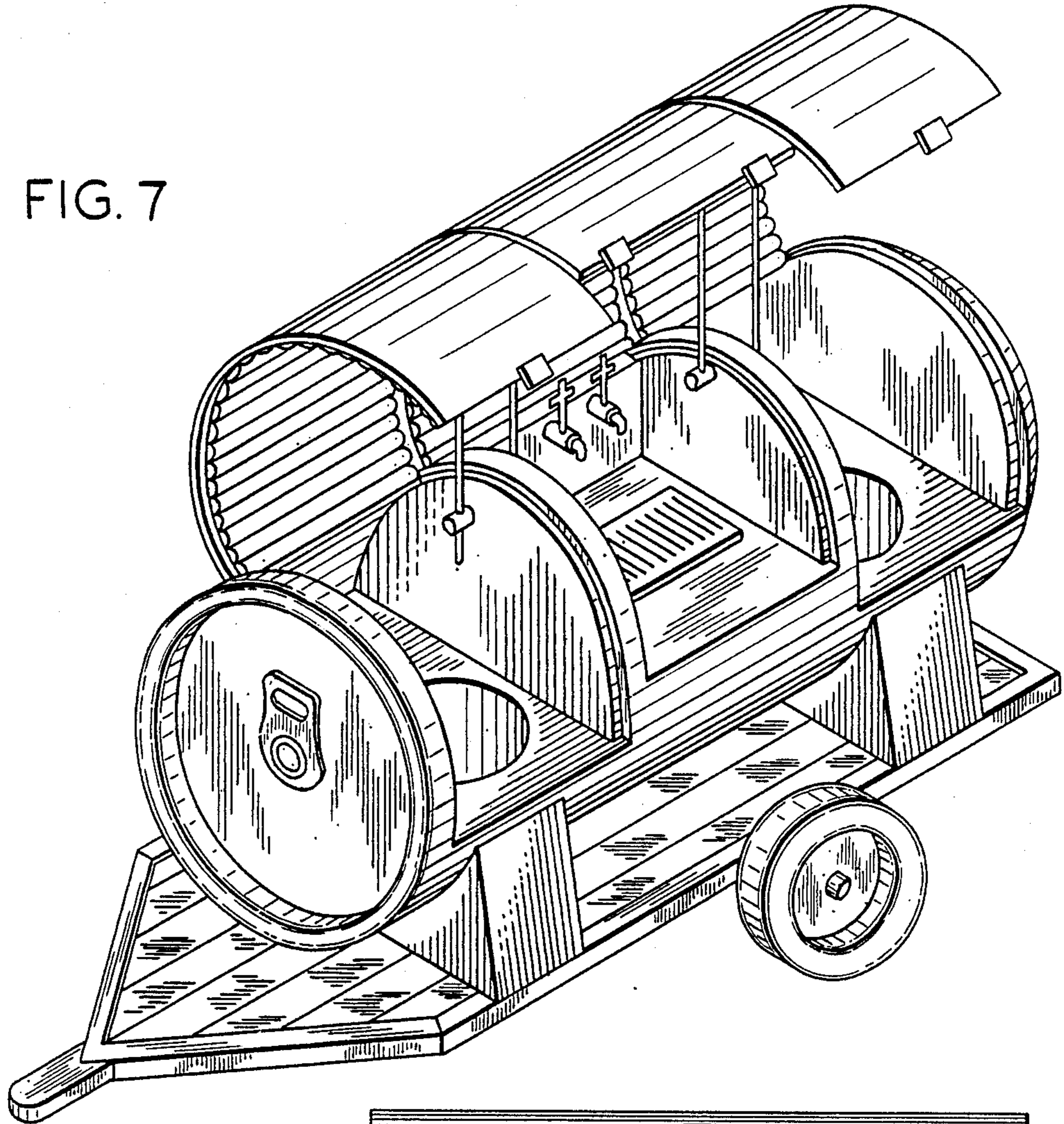


FIG. 13

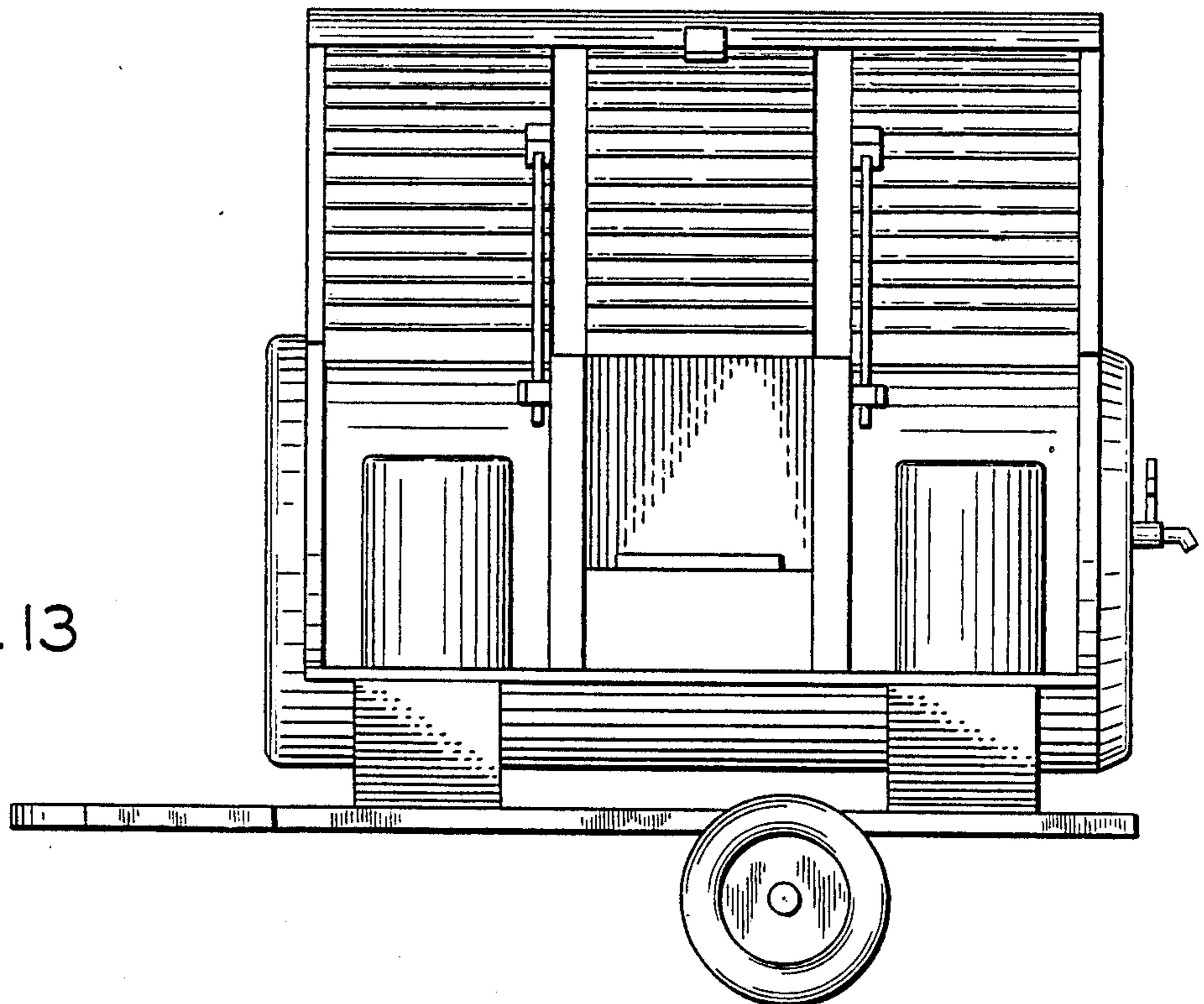


FIG. 8

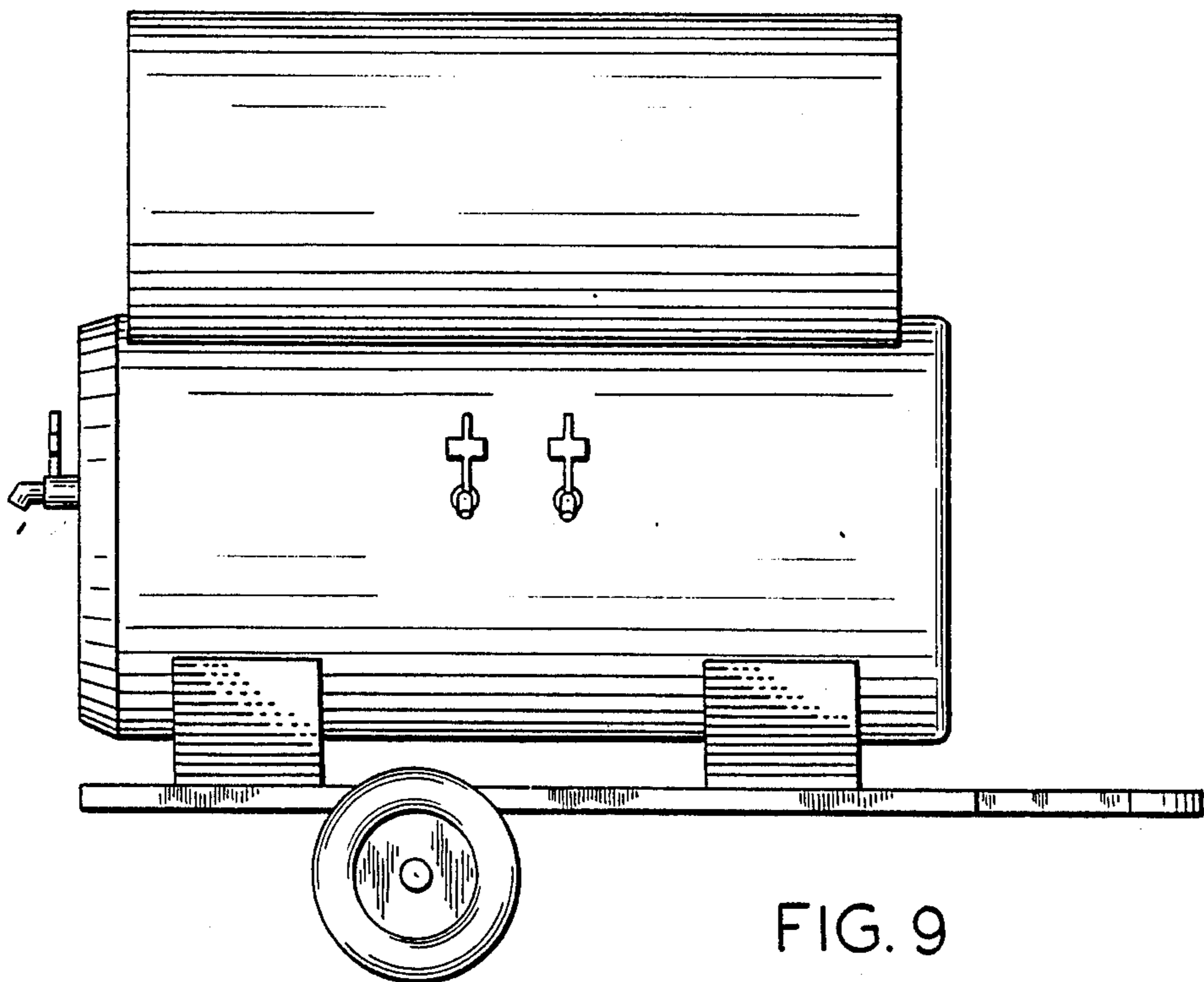
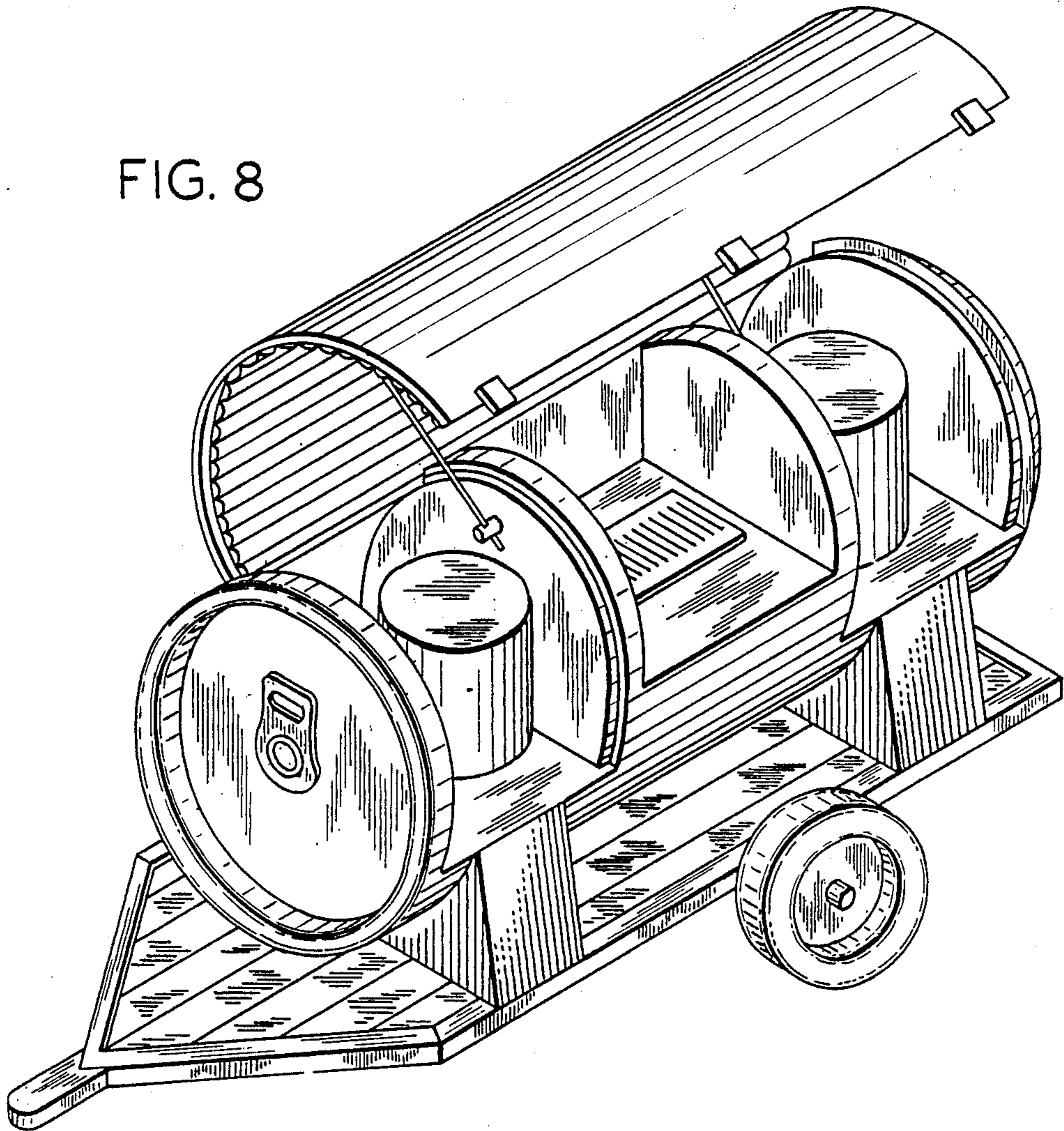


FIG. 9

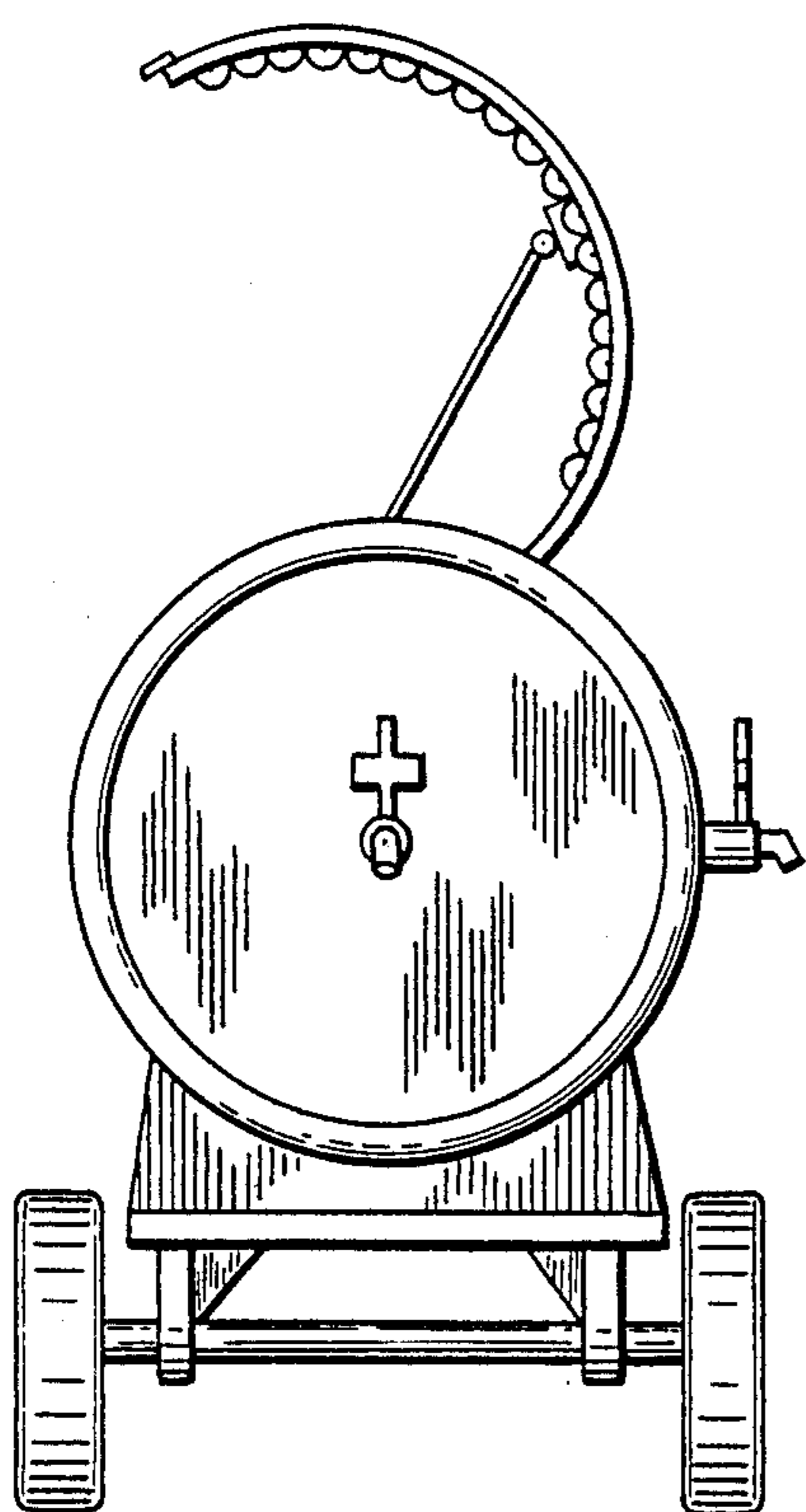


FIG. 10

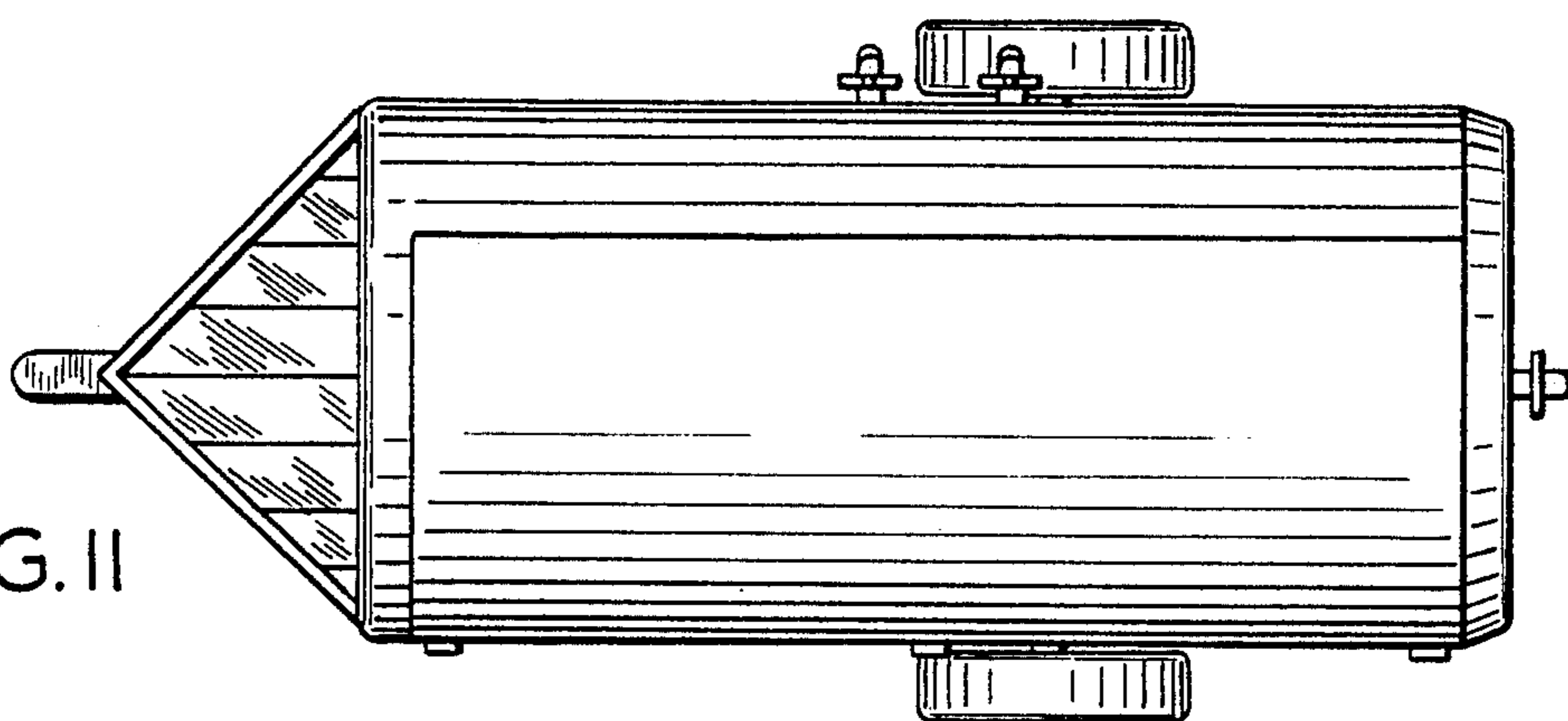


FIG. 11

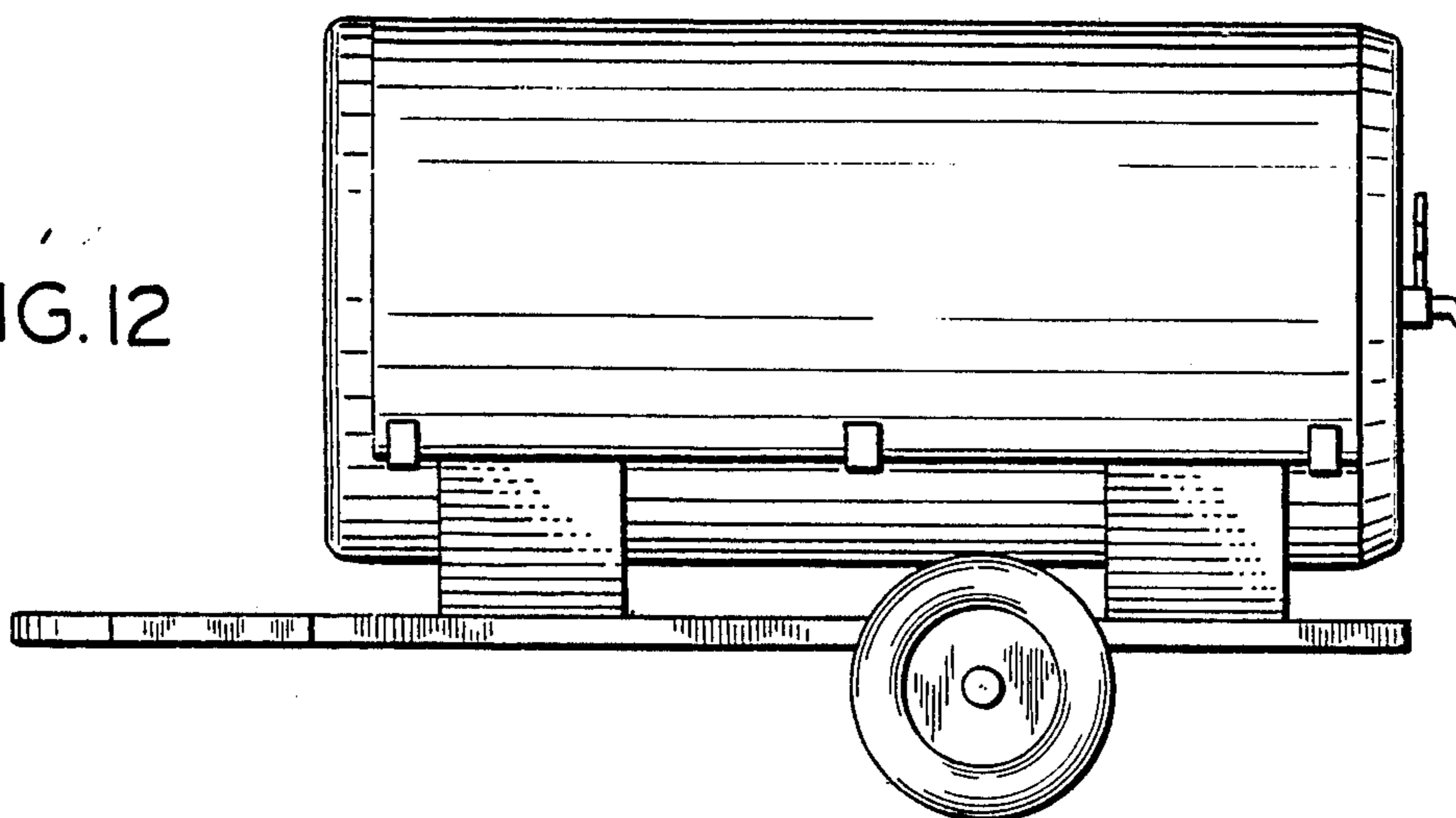


FIG. 12