

[54] CLOCK

[75] Inventor: Rolf Ziegler, Walchwil, Switzerland

[73] Assignee: Bluwat AG, Zug, Switzerland

[**] Term: 14 Years

[21] Appl. No.: 942,006

[22] Filed: Dec. 15, 1986

[30] Foreign Application Priority Data

Jun. 24, 1986 [XH] Hague DMA/000512

[52] U.S. Cl. D10/6

[58] Field of Search D10/2, 6, 122-126,
D10/24-26, 128-132; D19/27, 28; 368/276,
277, 285

[56] References Cited

U.S. PATENT DOCUMENTS

- D. 247,817 5/1978 Hausmann D19/27
- D. 273,796 5/1984 Milden D3/35 X
- D. 273,849 5/1984 Berges D10/129

- D. 295,263 4/1988 Angell D10/6
- 4,750,884 6/1988 Bourgeois D19/27 X

OTHER PUBLICATIONS

Hong Kong Enterprises-9/84-p. 163-item #EC-168 at top.

U.S. Gov't. Off. & Furn. Suppy. Cat.-©1981-p. 158--Binder at top.

Primary Examiner-Nelson C. Holtje
Attorney, Agent, or Firm-Bacon & Thomas

[57] CLAIM

The ornamental design for a clock, as shown and described.

DESCRIPTION

FIG. 1 is a top plan view of a clock showing my new design;

FIG. 2 is a front elevational view;

FIG. 3 is a right side elevational view;

FIG. 4 is a left side elevational view;

FIG. 5 is a rear elevational view; and

FIG. 6 is a bottom plan view.

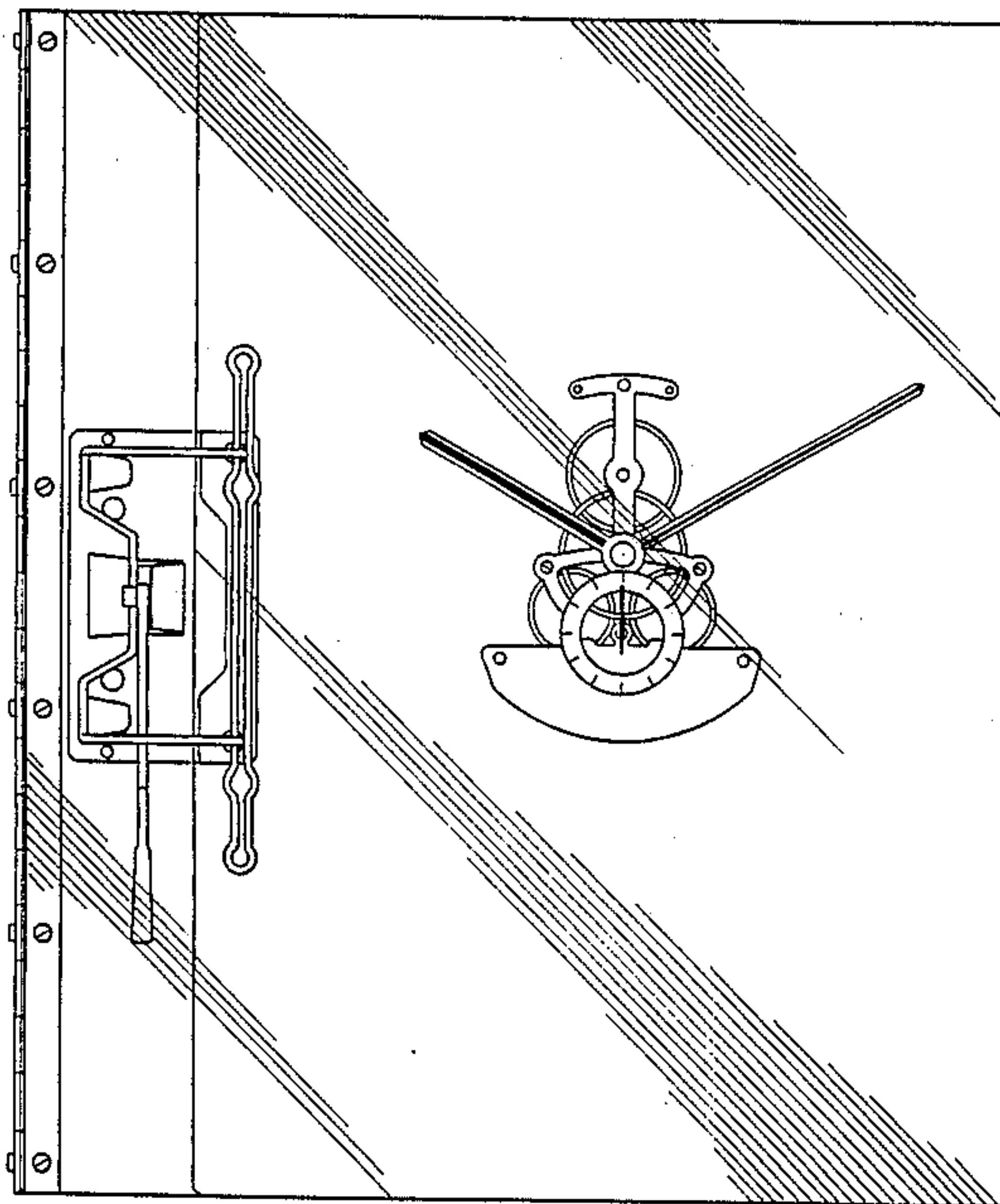


FIG. 1

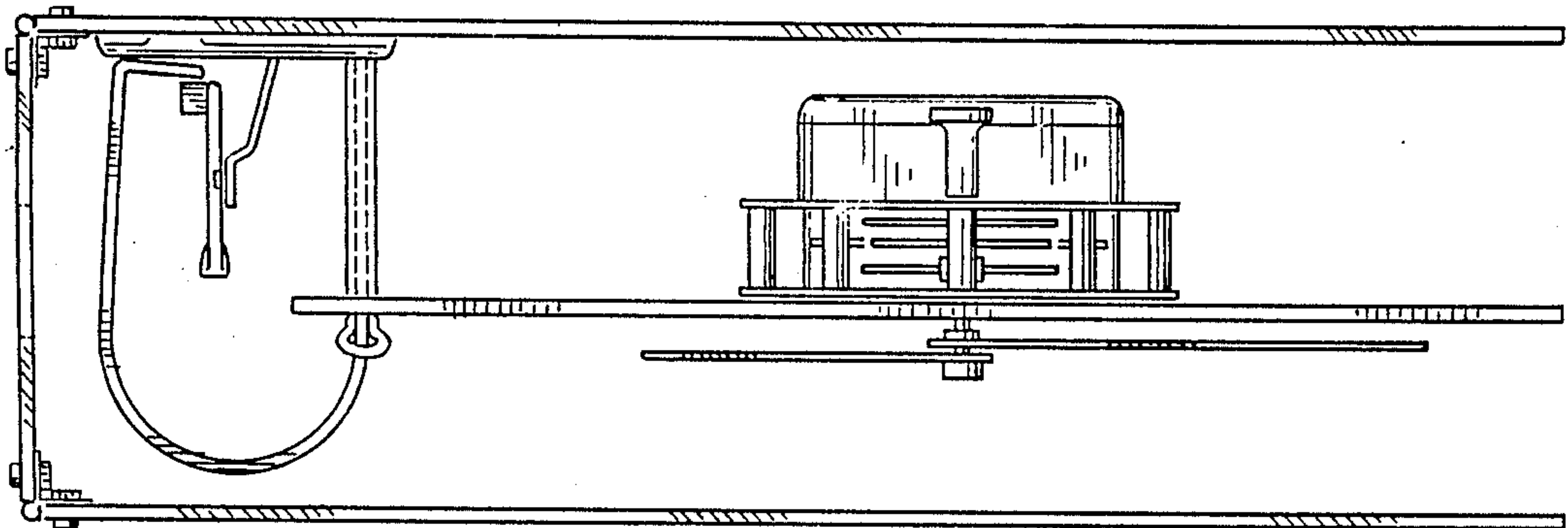
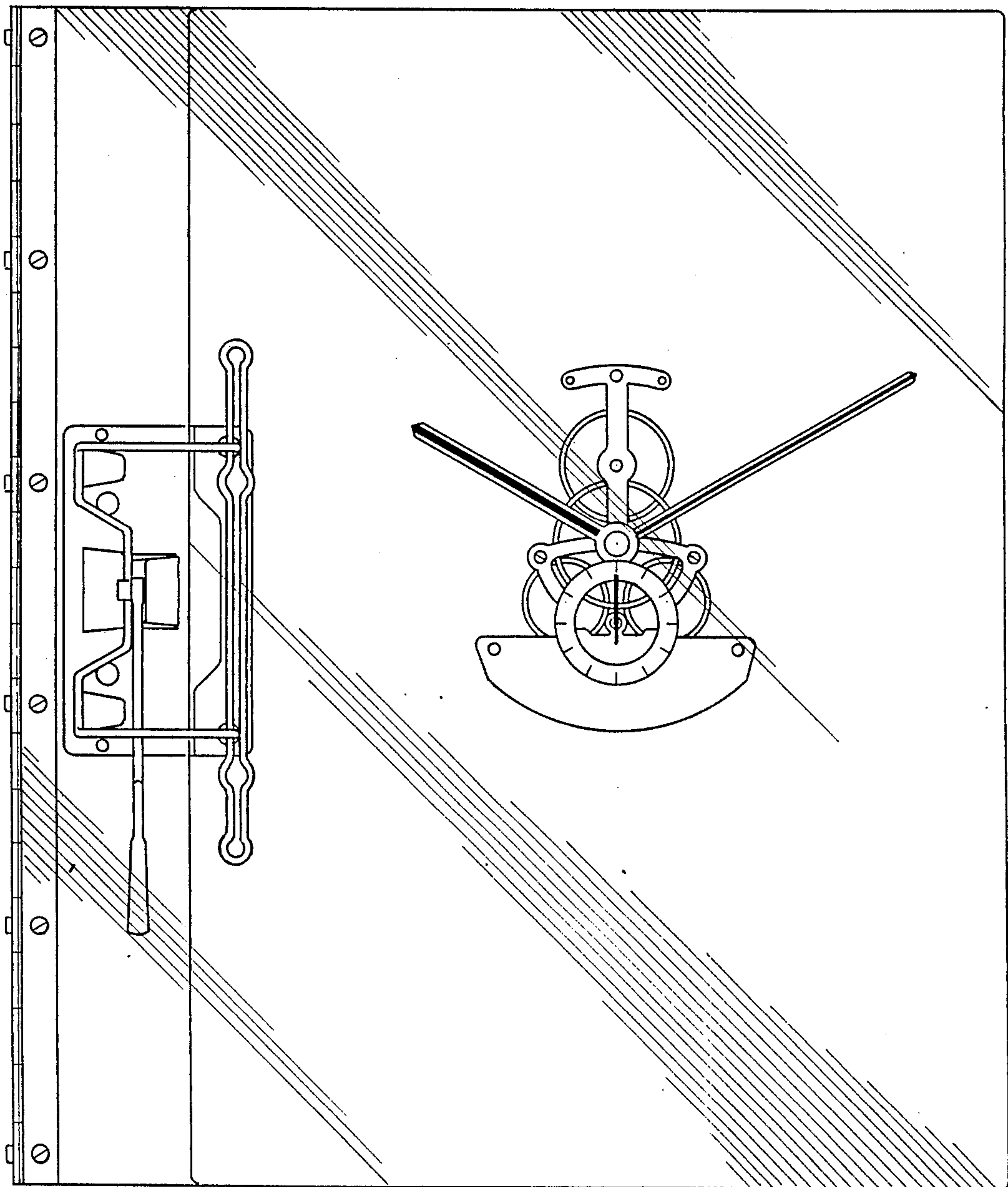


FIG. 2



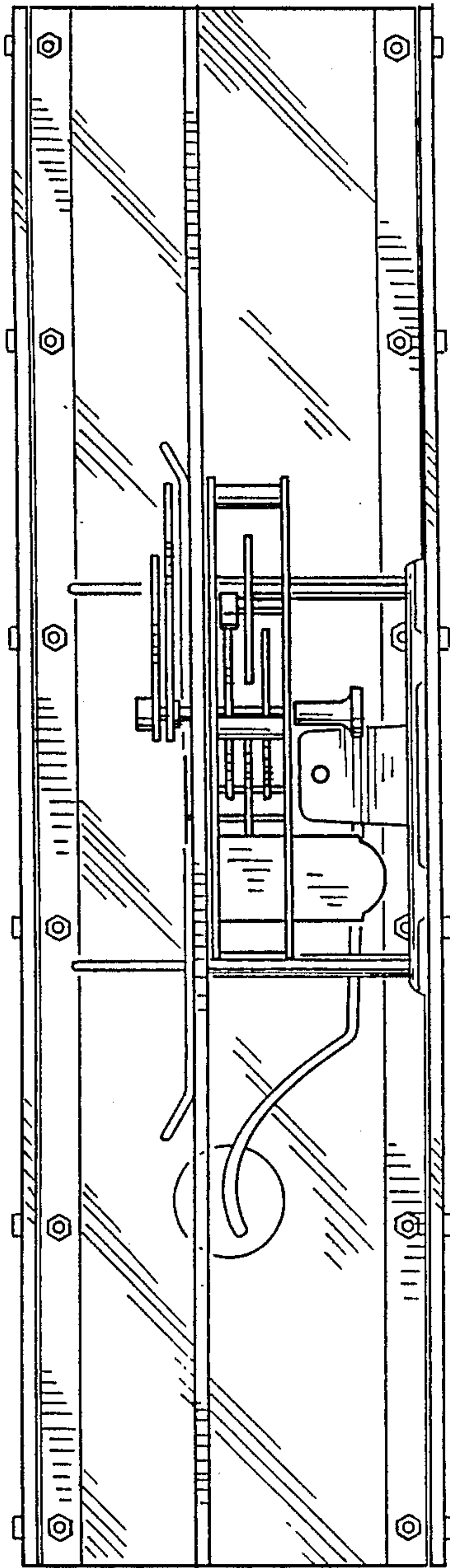


FIG. 3

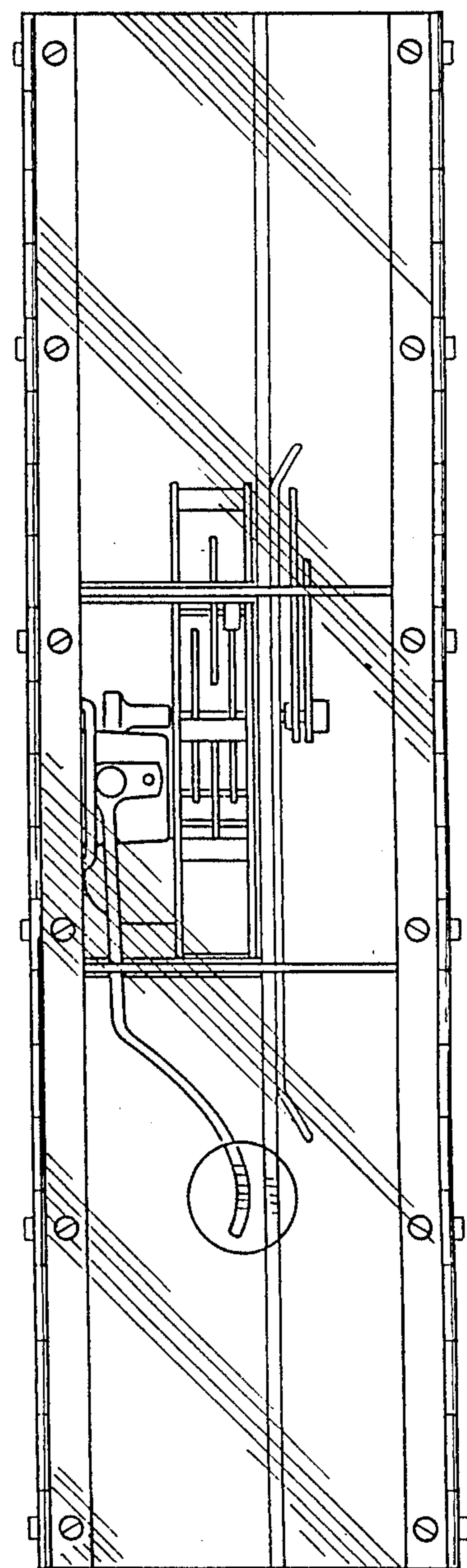


FIG. 4

FIG. 5

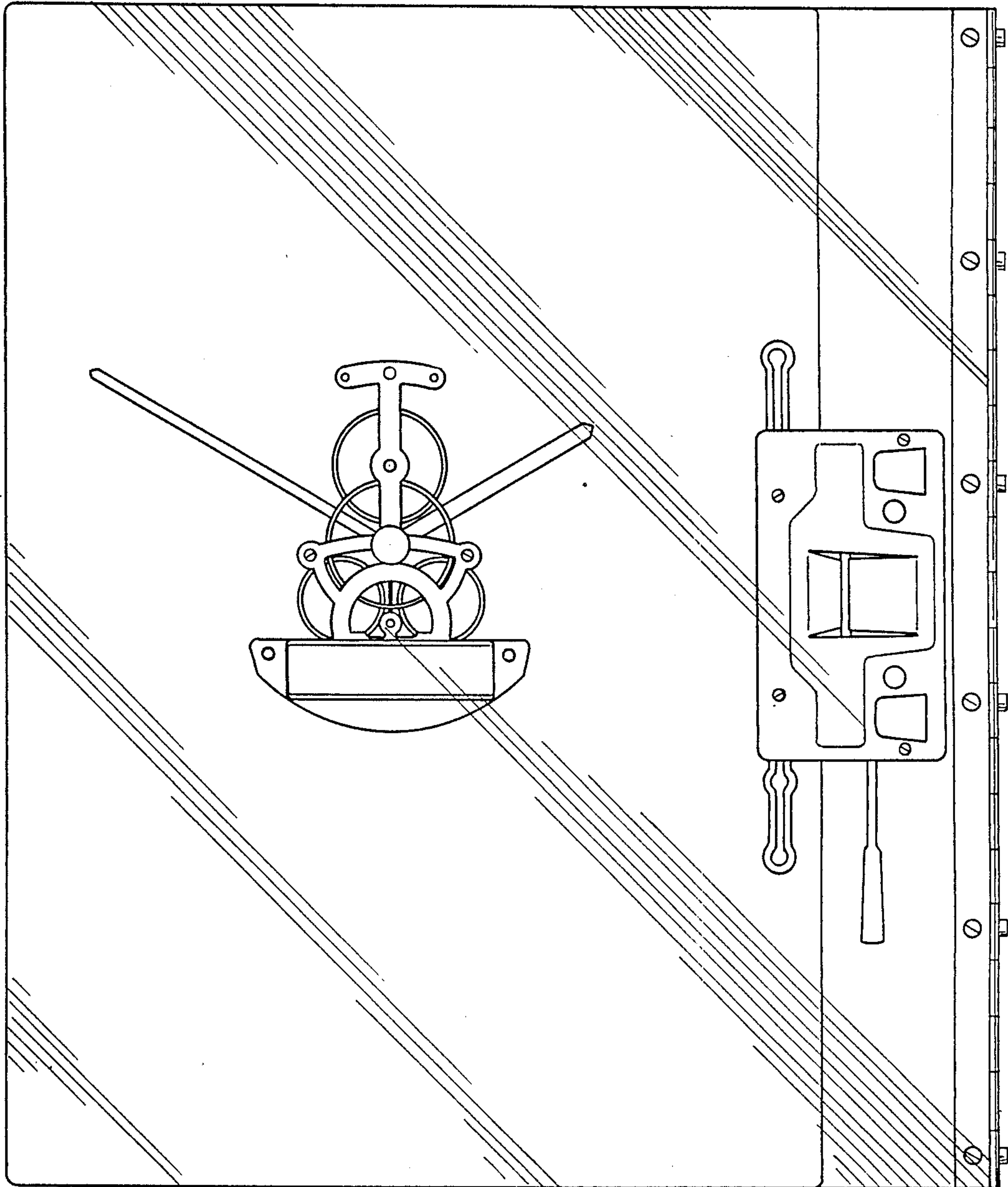


FIG. 6

