

United States Patent [19]

Allen

[11] Patent Number: Des. 309,109

[45] Date of Patent: ** Jul. 10, 1990

- [54] **COMBINED LID AND SEAL FOR CONTAINERS**
- [75] Inventor: David O. Allen, Wilmington, Ohio
- [73] Assignee: Allen Tool Company, Inc.,
Wilmington, Ohio
- [**] Term: 14 Years
- [21] Appl. No.: 926,783
- [22] Filed: Nov. 3, 1986
- [52] U.S. Cl. D9/436; D9/435;
D9/454
- [58] Field of Search D9/454, 435, 452, 352,
D9/436; 215/246, 247, 316, 326, 256, 277

3,856,171 12/1974 Rossi 215/256

Primary Examiner—B. J. Bullock
Assistant Examiner—Dominic Simone
Attorney, Agent, or Firm—Robert W. Becker &
 Associates

[57] **CLAIM**

The ornamental design for a combined lid and seal for containers, as shown and described.

DESCRIPTION

FIG. 1 is a top perspective view of a combined lid and seal for containers showing my new design, the fragmented container shown in broken lines for illustrative purposes only;
 FIG. 2 is a top plan view thereof;
 FIG. 3 is a side elevational view thereof;
 FIG. 4 is a bottom view of the lid, shown separately for clarity of illustration;
 FIG. 5 is a side view of the seal, shown separately for clarity of illustration;
 FIG. 6 is a top plan view of FIG. 5, the bottom being identical;
 FIG. 7 is the opposite side view of FIG. 5.

- [56] **References Cited**
- U.S. PATENT DOCUMENTS**
- D. 249,640 9/1978 Edwards D9/352
- D. 271,945 12/1983 Ochs D9/452
- 1,108,108 8/1914 Gifford 215/316
- 1,207,933 12/1916 Kitchen 215/277
- 2,358,270 9/1944 Wild 215/277
- 2,388,738 11/1945 Gudheim 215/277

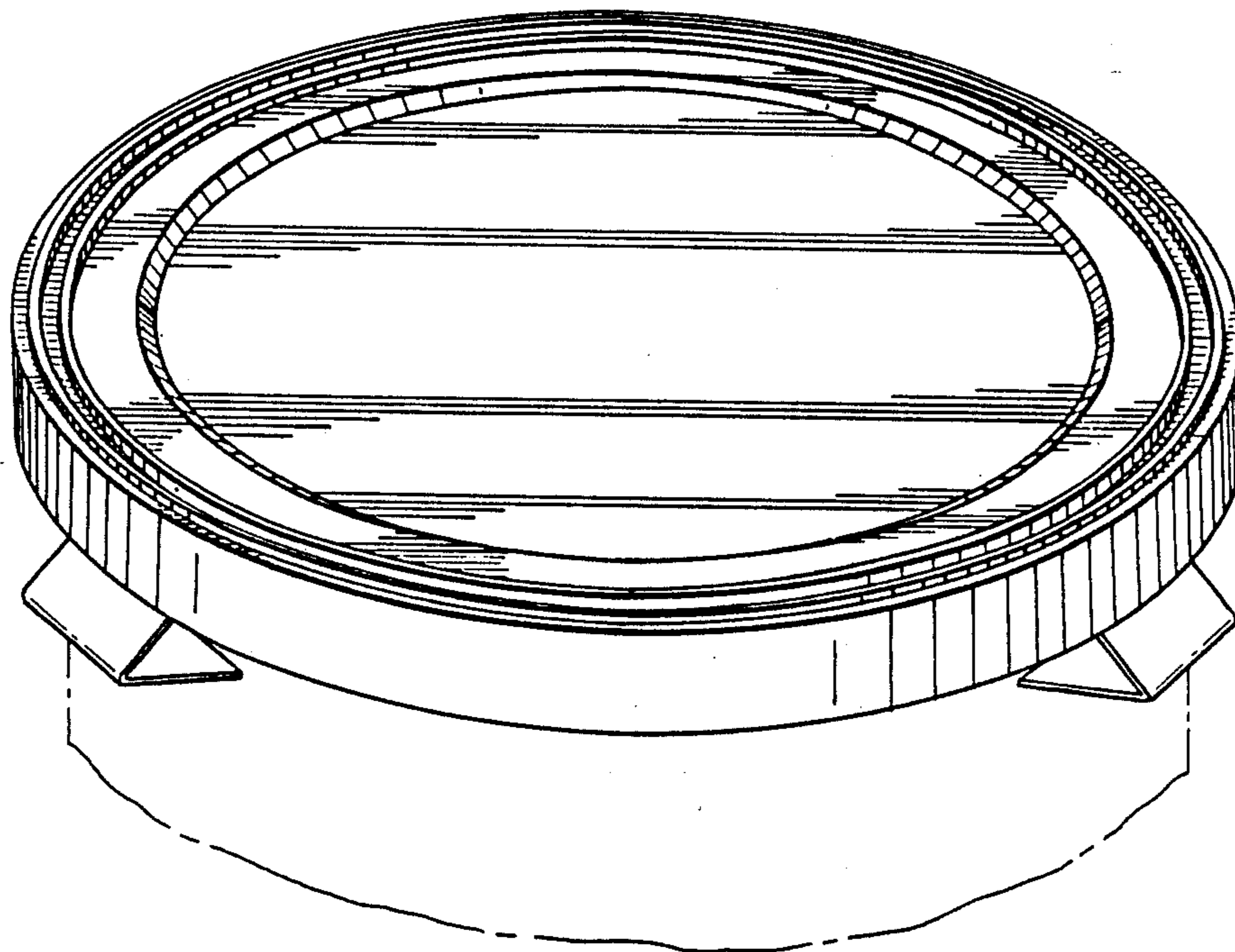


FIG. 1

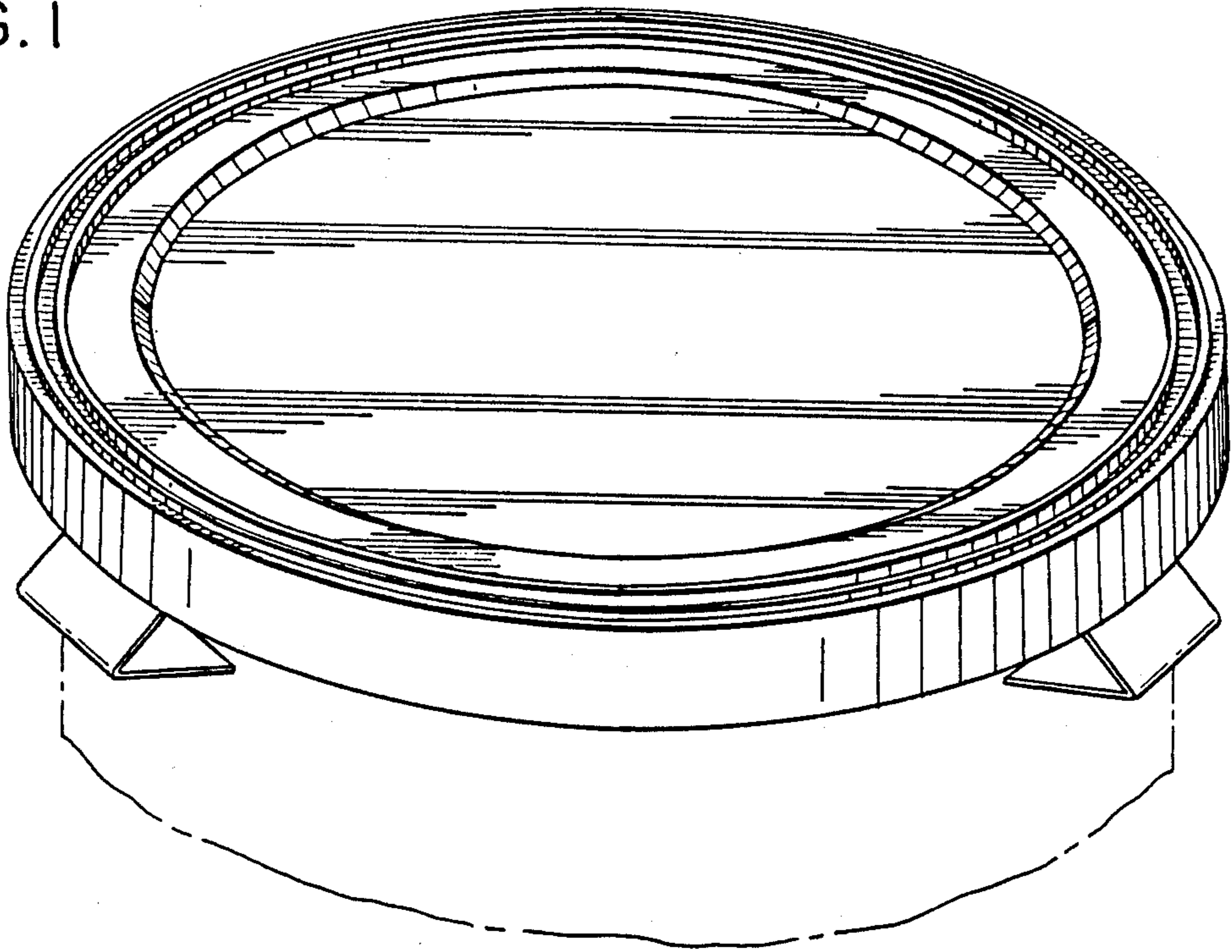


FIG. 2

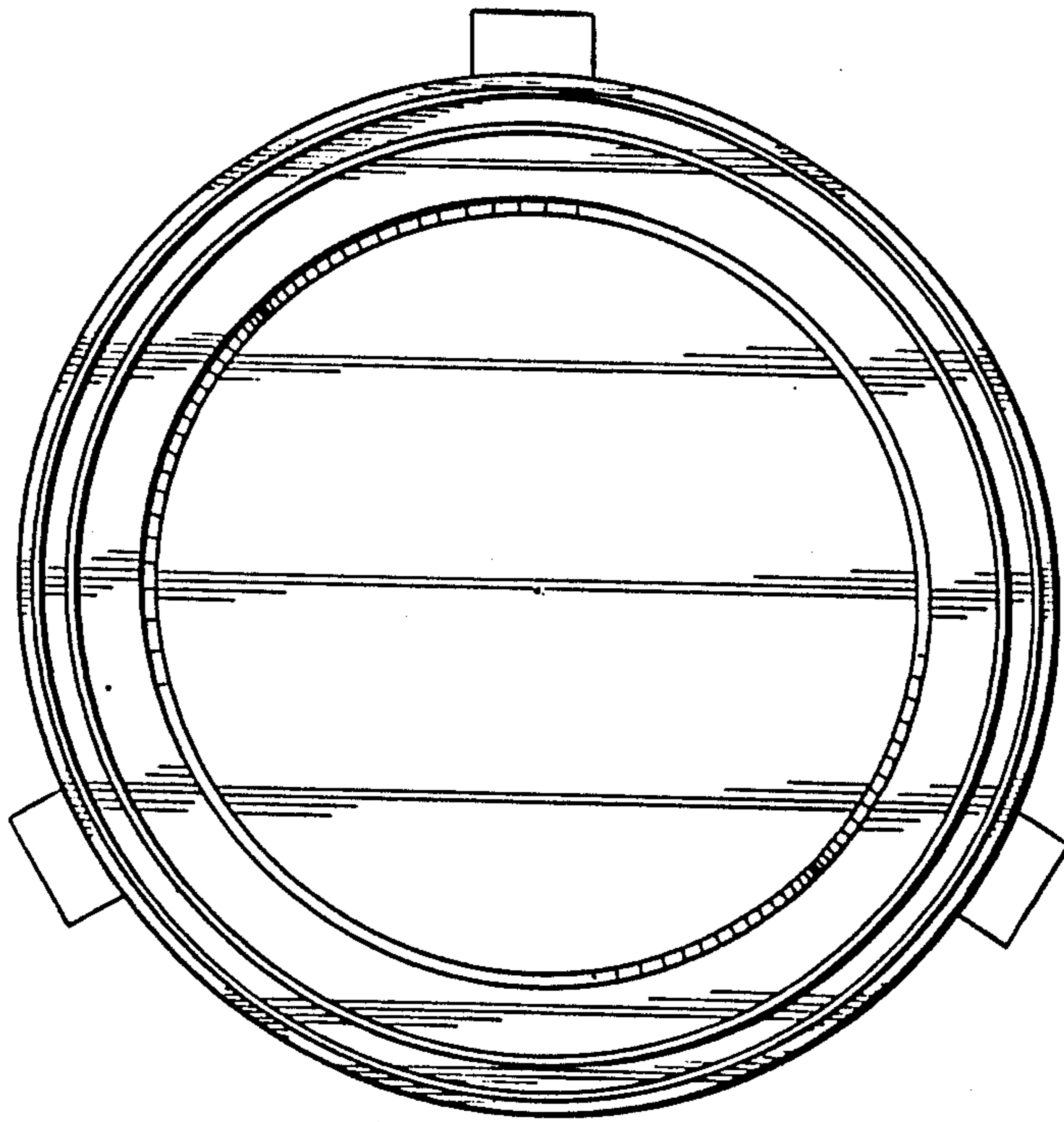


FIG. 3



FIG. 4

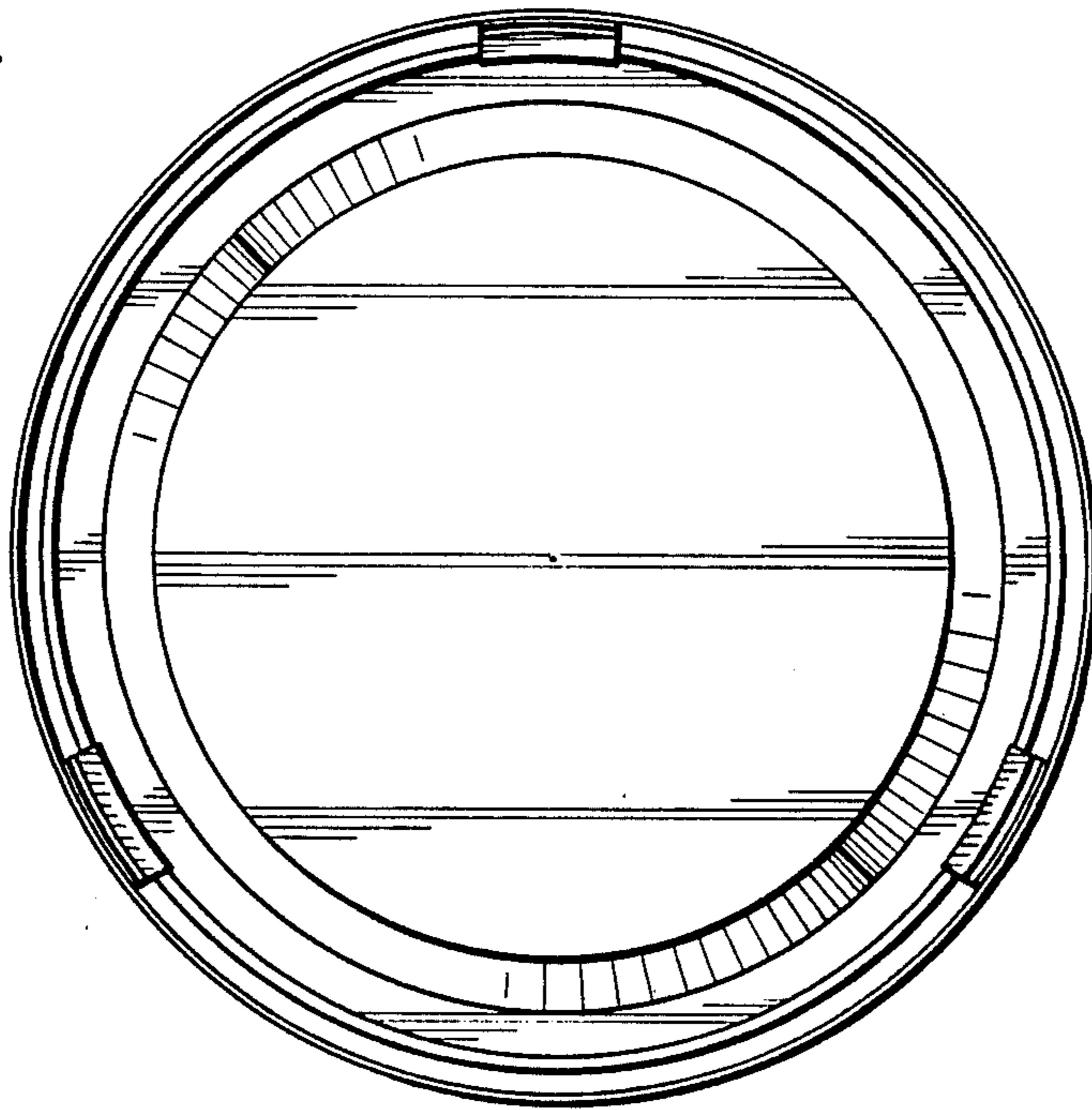


FIG. 5

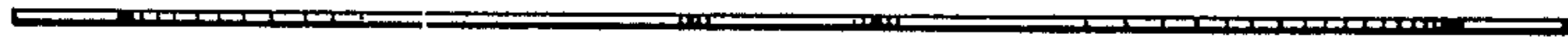


FIG. 6

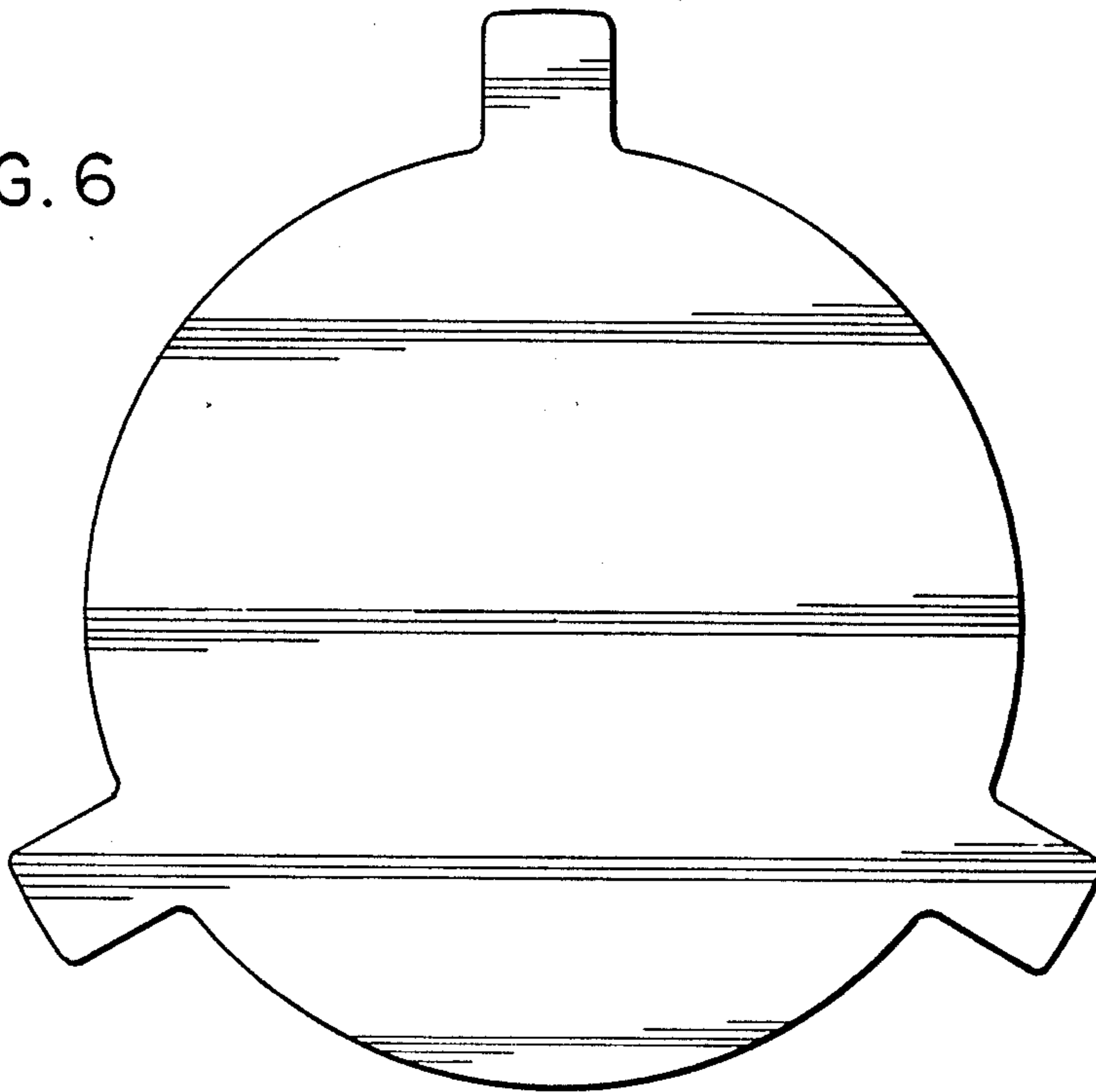


FIG. 7

