

**United States Patent** [19]  
**Moret**

[11] **Patent Number: Des. 309,098**  
[45] **Date of Patent: \*\* Jul. 10, 1990**

[54] **BOTTLE OR SIMILAR ARTICLE**  
[75] **Inventor: Michel A. Moret, Geneva, Switzerland**  
[73] **Assignee: Les Produits Associes LPA-Broxo S.A., Switzerland**  
[\*\*] **Term: 14 Years**  
[21] **Appl. No.: 937,665**  
[22] **Filed: Dec. 3, 1986**  
[52] **U.S. Cl. .... D9/371; D9/372; D9/375**  
[58] **Field of Search ..... D9/367, 370, 371, 372, D9/373, 375, 403-413; 215/1 B, 1 C; 220/DIG. 13; D24/43, 10, 15, 16; 433/80, 86, 89, 97**

[56] **References Cited**  
**U.S. PATENT DOCUMENTS**  
D. 76,413 9/1928 Palmer ..... D24/43  
D. 85,363 10/1931 Betts ..... D9/377

D. 99,764 5/1936 Trompeter ..... D9/349  
D. 116,004 8/1939 Albright ..... D24/43  
757,645 4/1904 Bassett ..... 220/DIG. 13 X

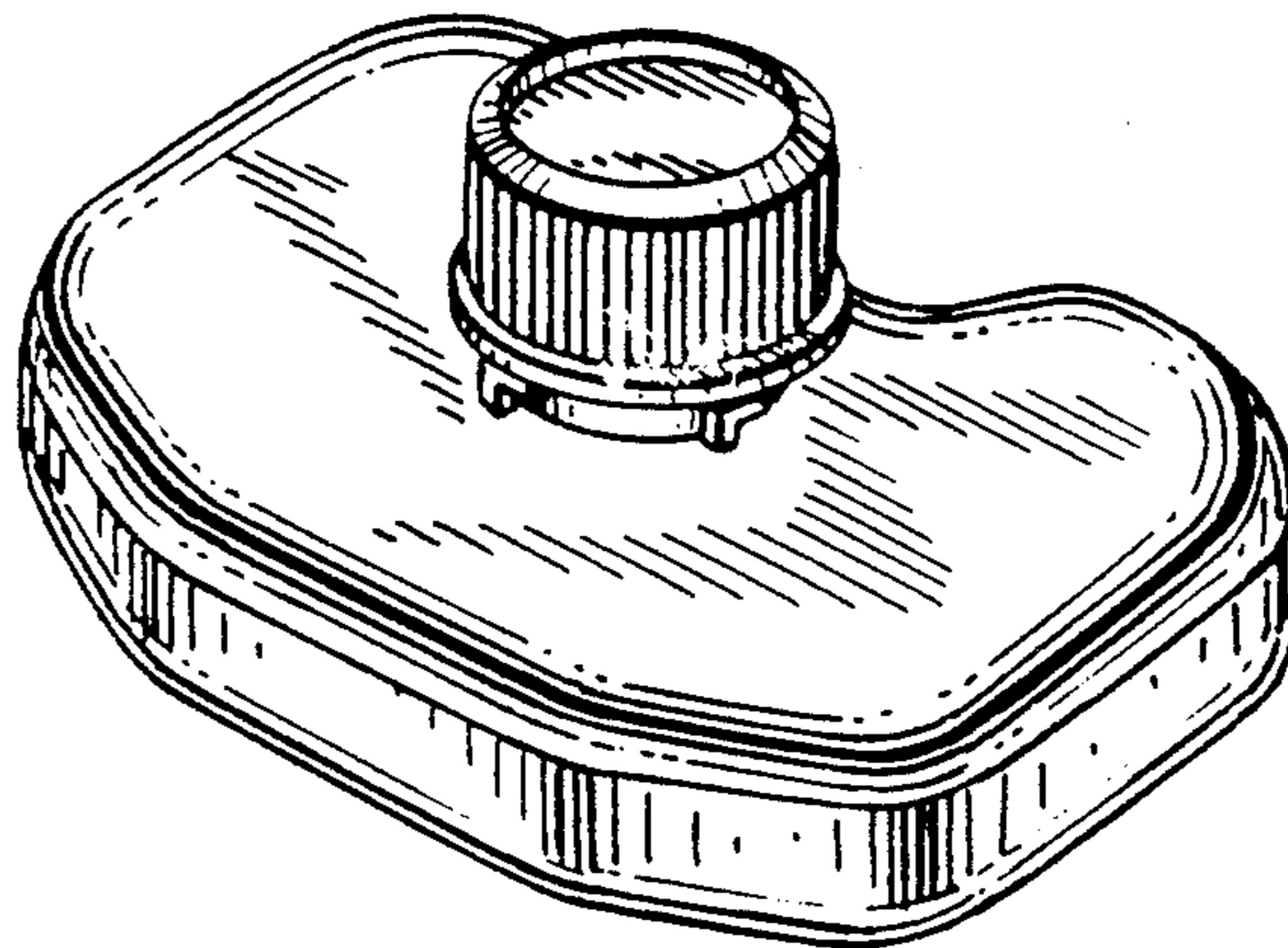
*Primary Examiner*—Melvin B. Feifer  
*Assistant Examiner*—Lucy Lieberman  
*Attorney, Agent, or Firm*—Kane, Dalsimer, Sullivan, Kurucz, Levy, Eisele and Richard

[57] **CLAIM**

The ornamental design for a bottle or similar article, as shown.

**DESCRIPTION**

FIG. 1 is a top right front perspective view of a bottle or similar article showing my new design on a reduced scale;  
FIG. 2 is a top plan view thereof;  
FIG. 3 is a bottom plan view thereof;  
FIG. 4 is a rear elevational view thereof;  
FIG. 5 is a side elevational view thereof; and  
FIG. 6 is a front elevational view thereof.



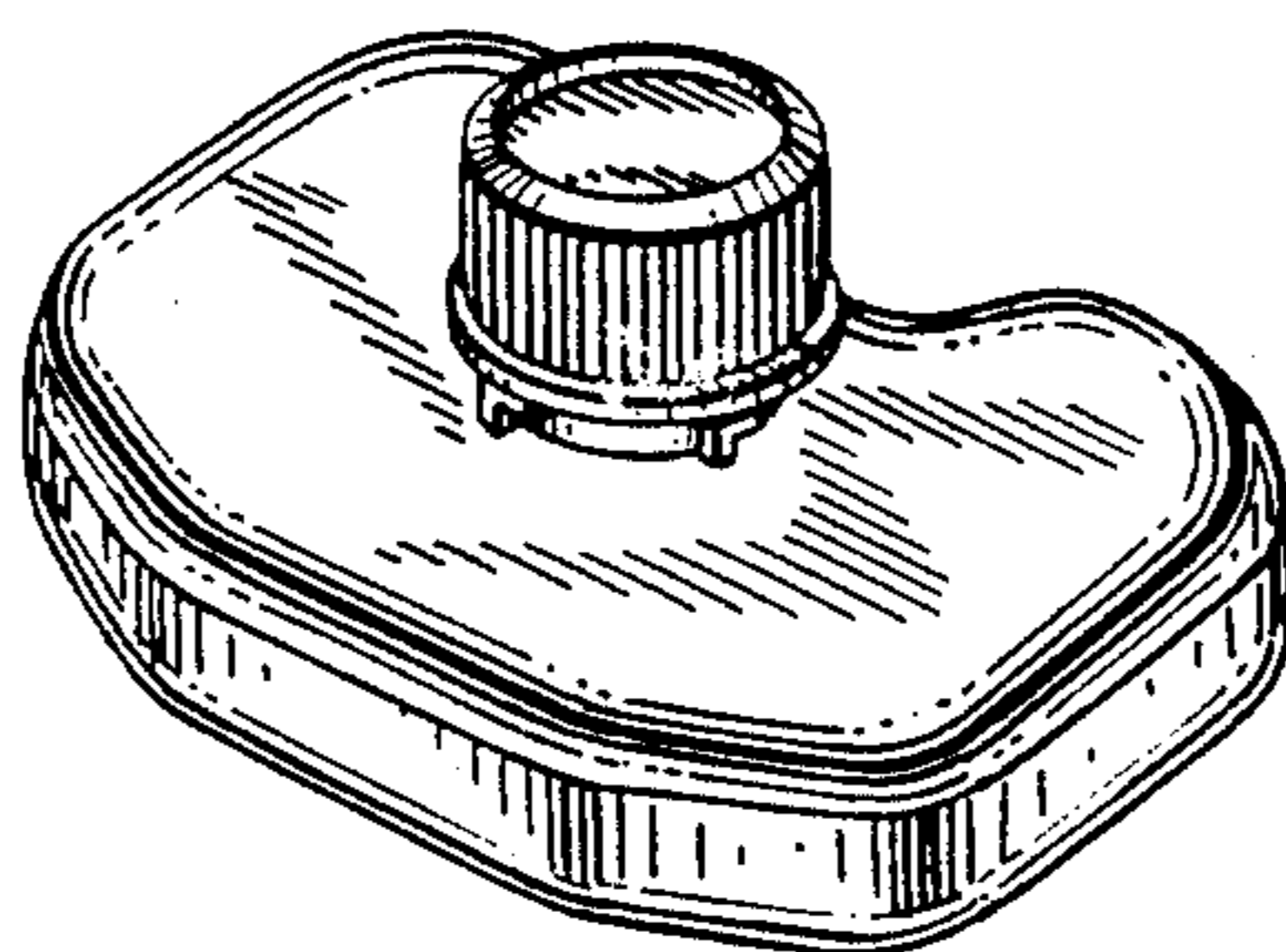


FIG. 1

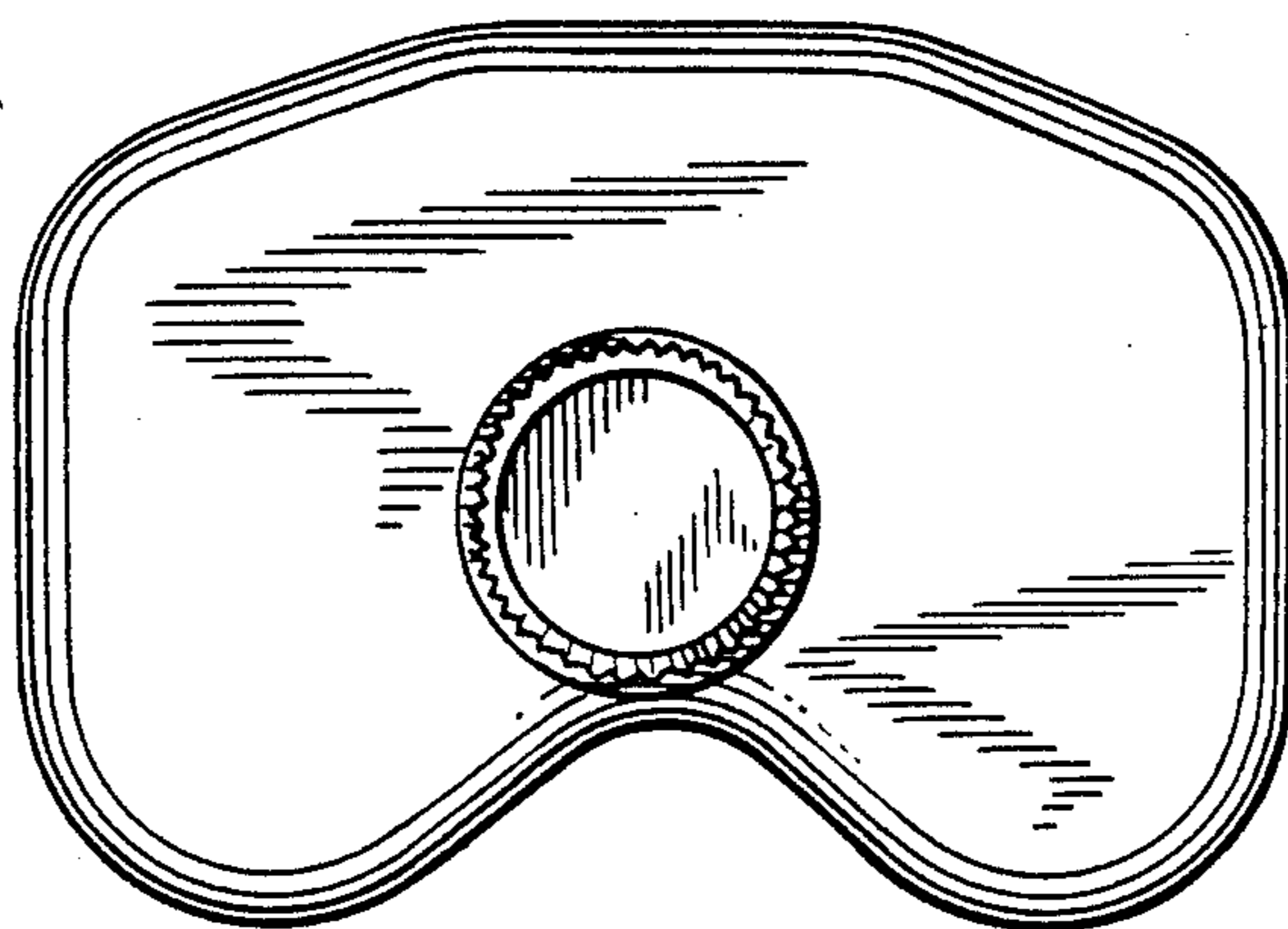


FIG. 2

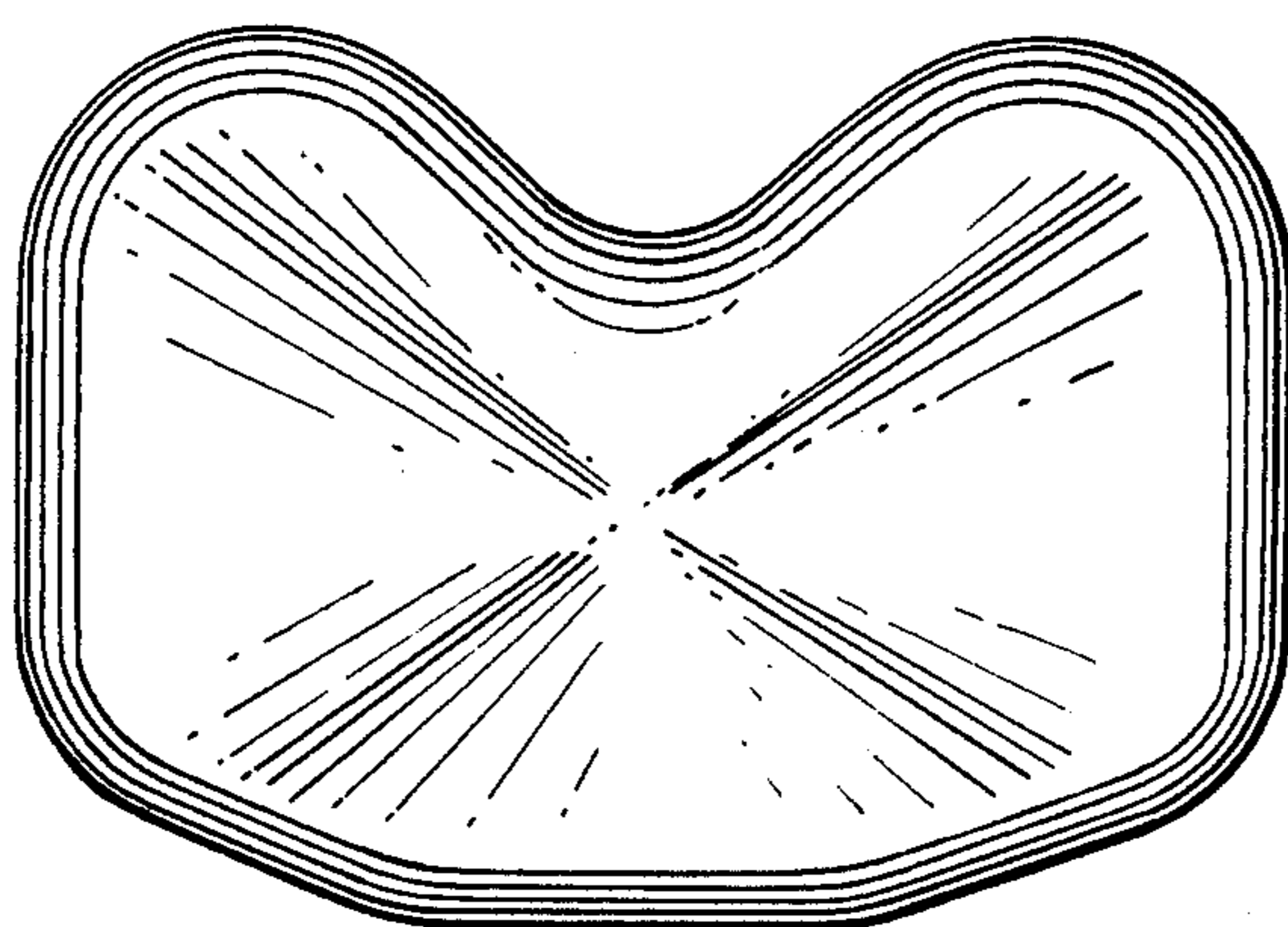
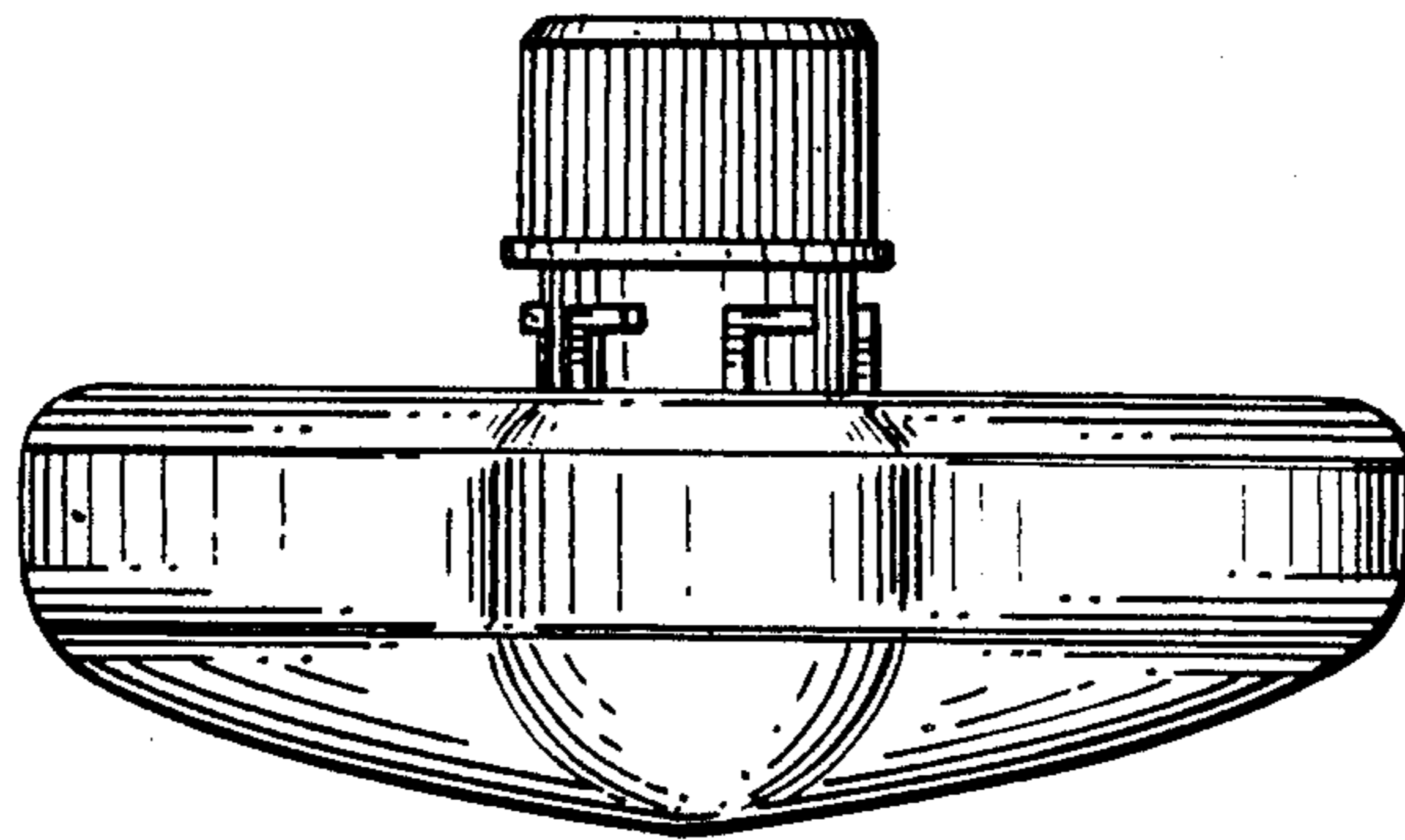
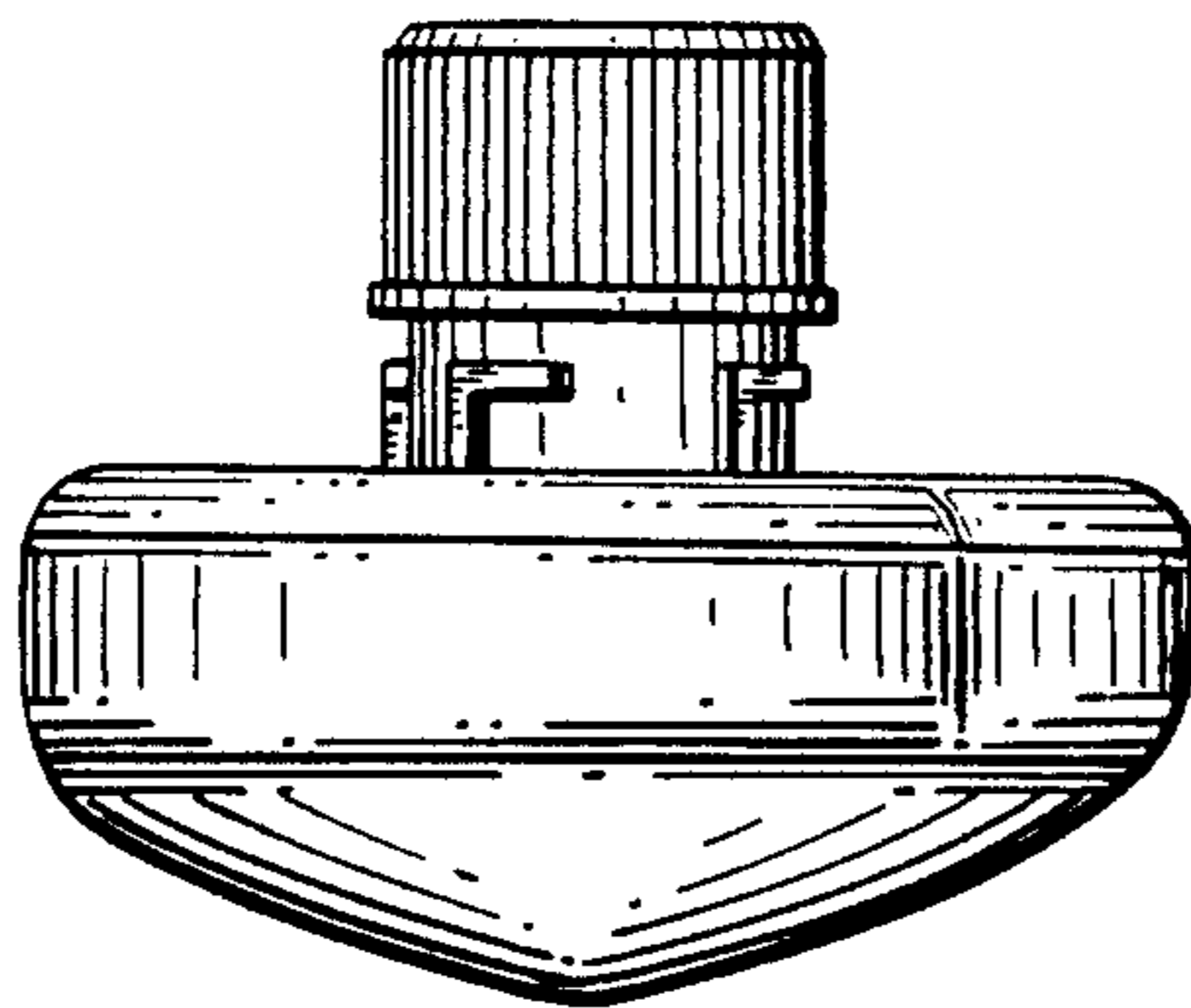


FIG. 3

*FIG. 4*



*FIG. 5*



*FIG. 6*

