

[54] COMBINED WALL PLATE AND ELECTRICAL PLUG SAFETY CAP

[76] Inventor: Eric K. Reinholt, 511 Tish Cir., #1908, Arlington, Tex. 76006

[**] Term: 14 Years

[21] Appl. No.: 111,566

[22] Filed: Oct. 22, 1987

[52] U.S. Cl. D8/353; D13/177

[58] Field of Search D8/350-353; 174/66, 67; 439/911, 147, 136, 144; 220/3.3, 3.8, 241, 242; D13/30

[56] References Cited

U.S. PATENT DOCUMENTS

| | | | | |
|------------|--------|----------|-------|--------|
| D. 283,221 | 4/1986 | West | | D13/30 |
| 2,716,225 | 8/1955 | McCubbin | | 174/66 |
| 3,189,678 | 6/1965 | Nelson | | 174/67 |

| | | | | |
|-----------|---------|------------------|-------|---------|
| 3,428,936 | 2/1969 | Arnao, Jr. | | 439/144 |
| 3,601,757 | 8/1971 | Gober | | 439/147 |
| 3,955,870 | 5/1976 | Wasserman | | 439/144 |
| 4,293,733 | 10/1981 | Royer | | 174/67 |
| 4,531,800 | 7/1985 | Avenet | | 439/147 |
| 4,691,974 | 9/1987 | Pinkerton et al. | | D8/350 |

Primary Examiner—B. J. Bullock

[57] CLAIM

The ornamental design for a combined wall plate and electrical plug safety cap, as shown.

DESCRIPTION

FIG. 1 is a front perspective view of a combined wall plate and electrical plug safety cap showing my new design;

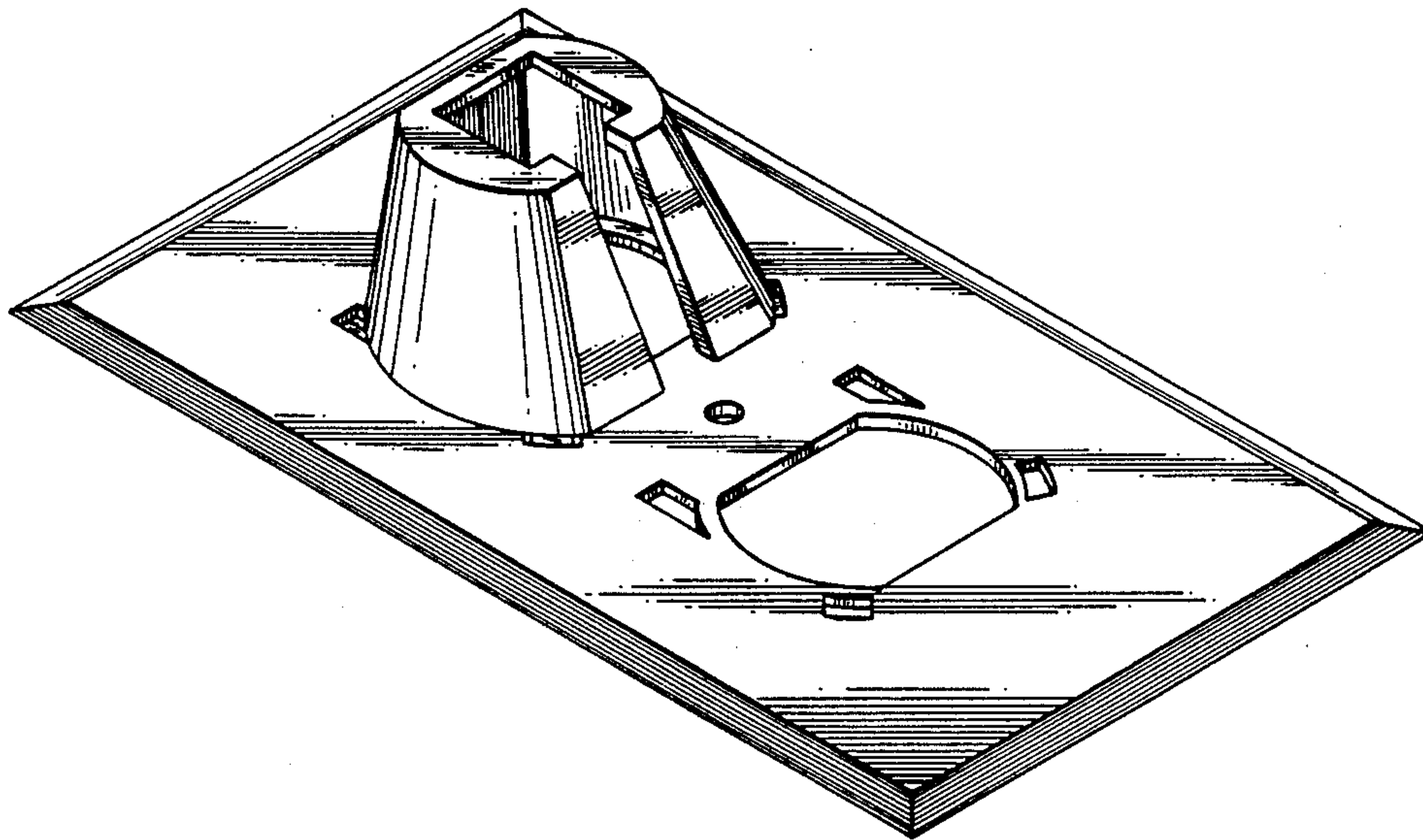
FIG. 2 is a top view thereof;

FIG. 3 is a right side view thereof;

FIG. 4 is a bottom view thereof;

FIG. 5 is a front view thereof;

FIG. 6 is a rear view thereof.



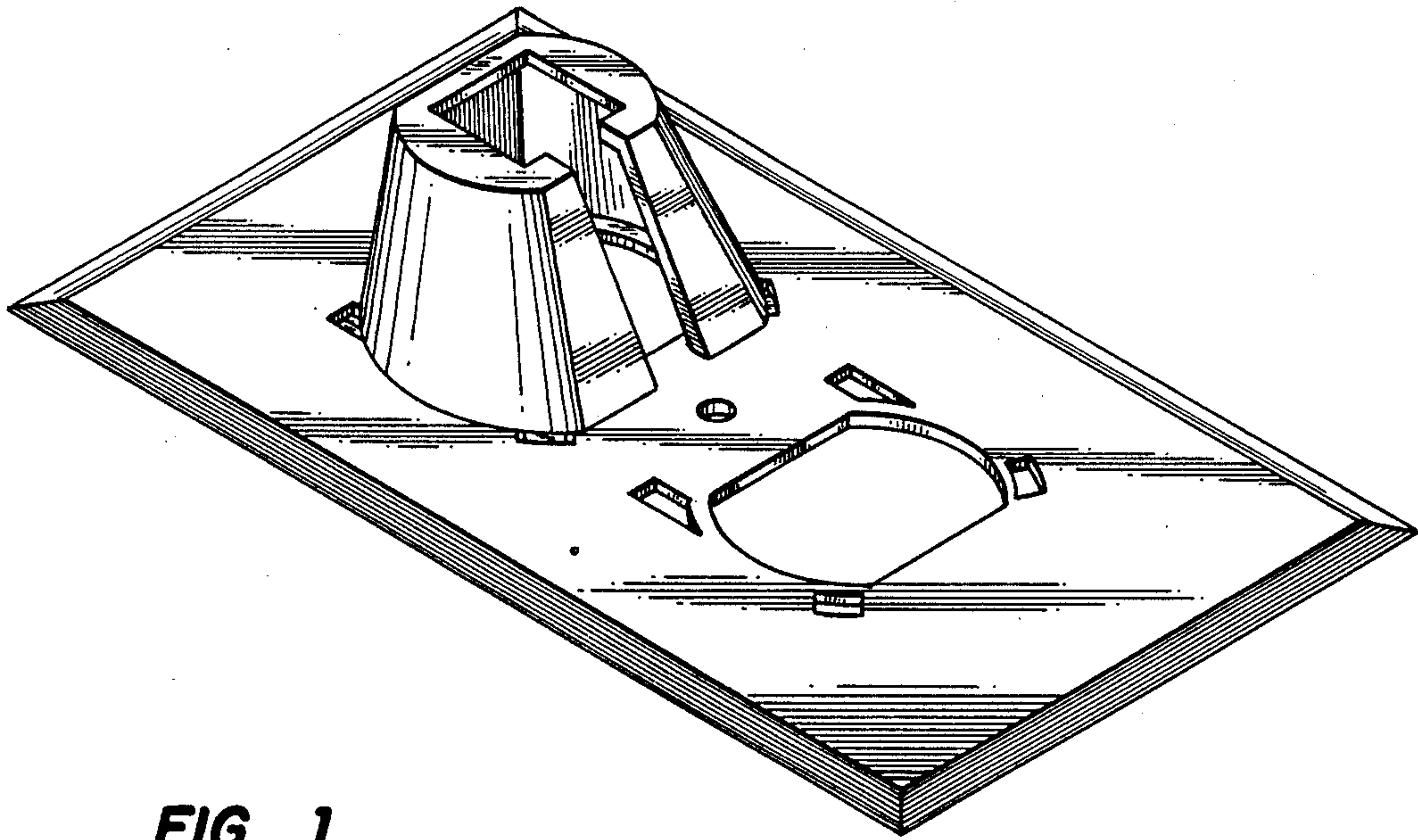


FIG. 1

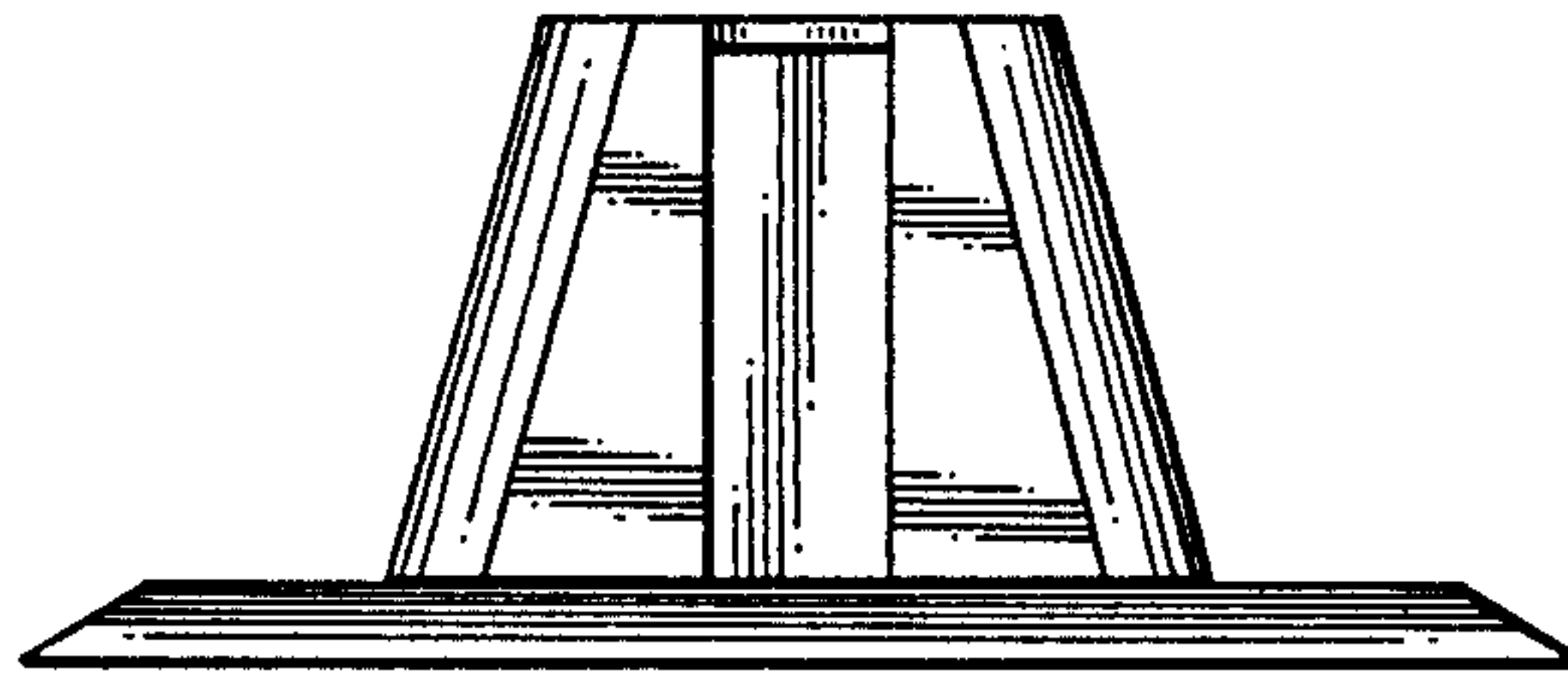


FIG. 2

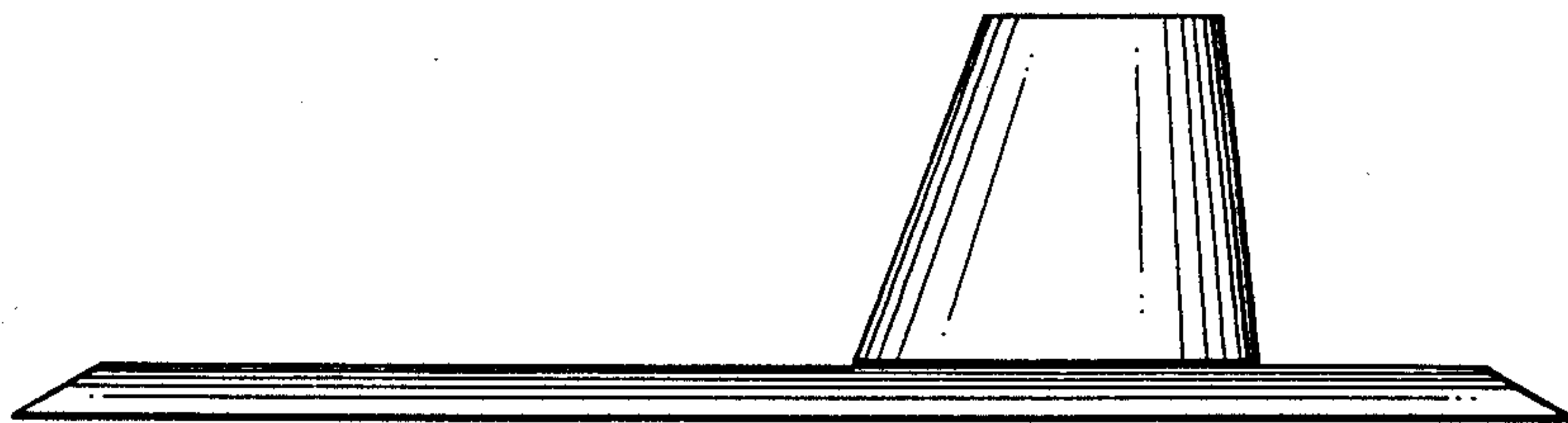


FIG. 3

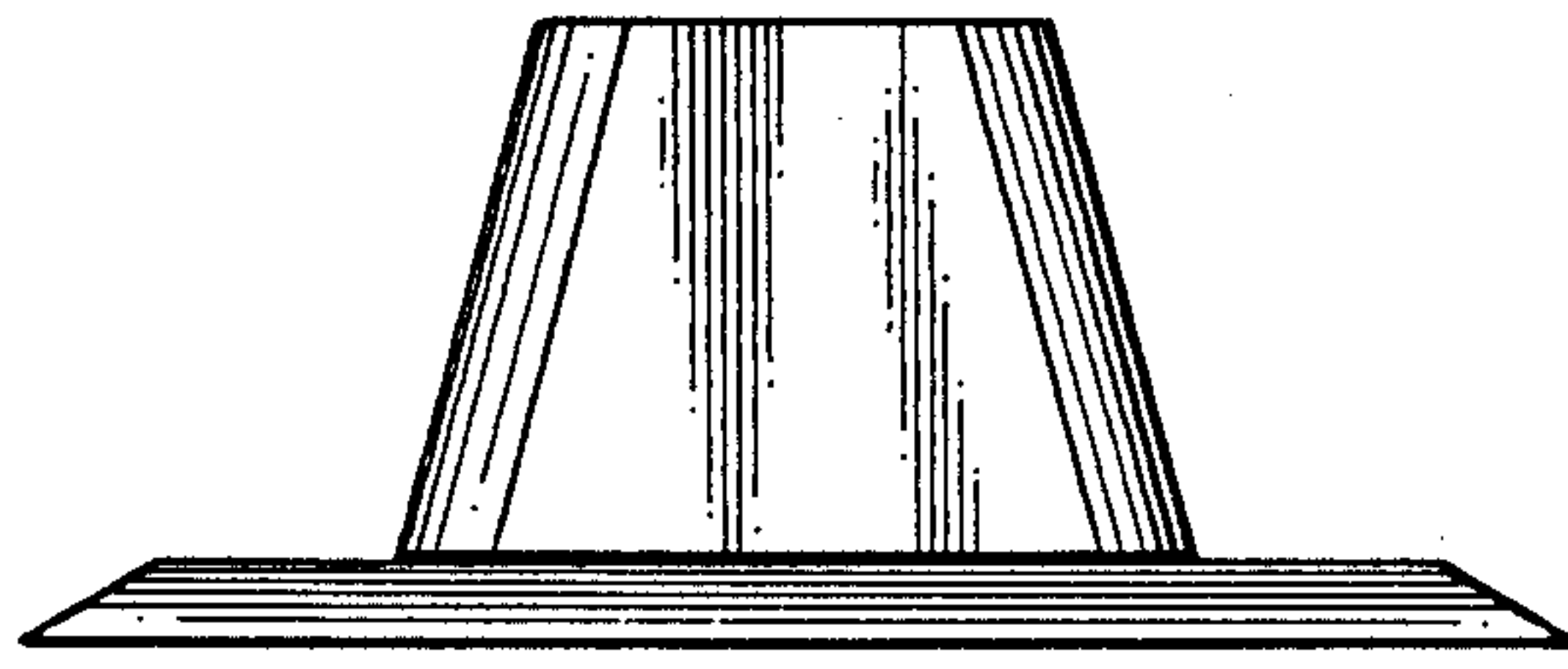


FIG. 4

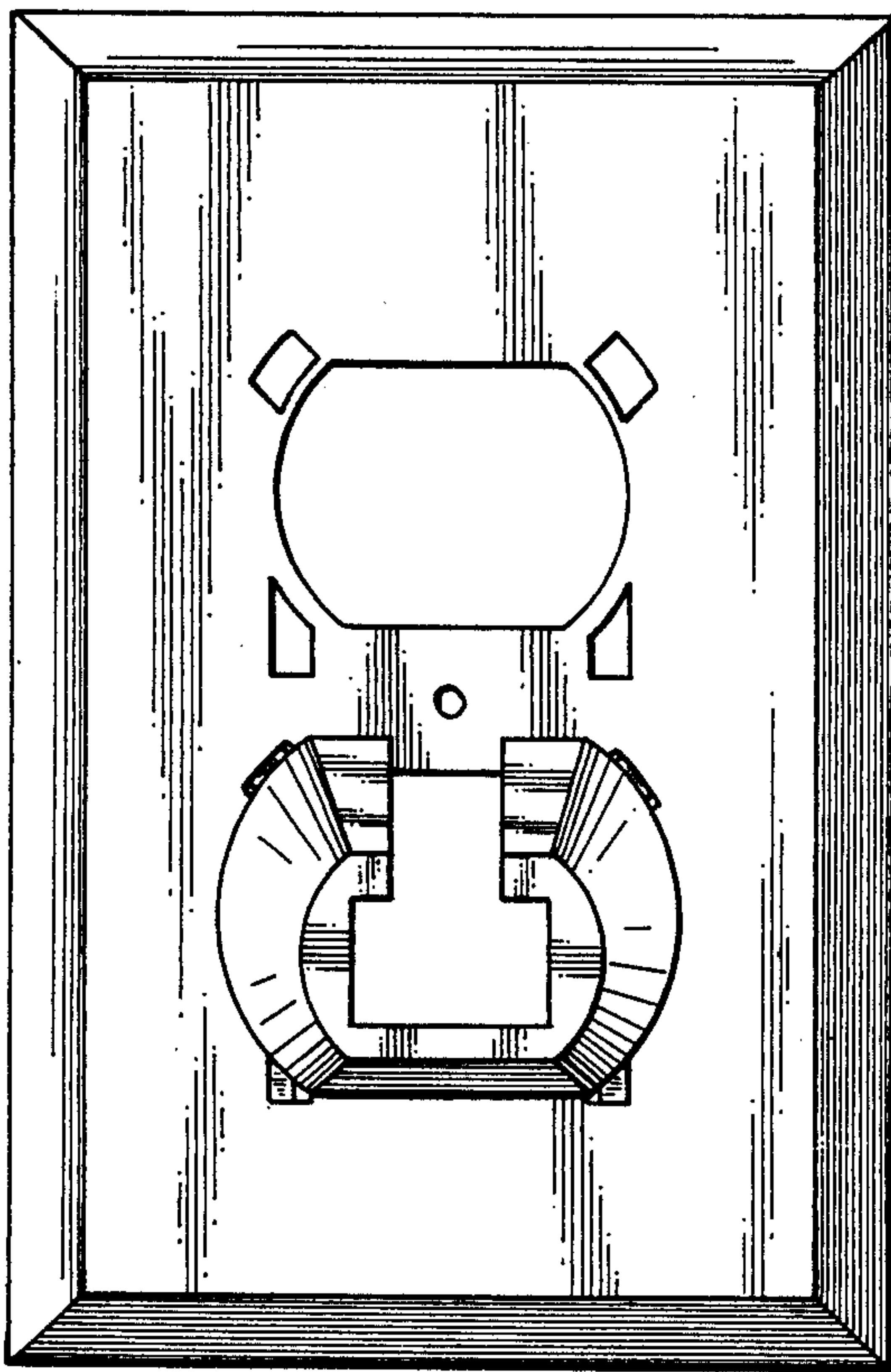


FIG. 5

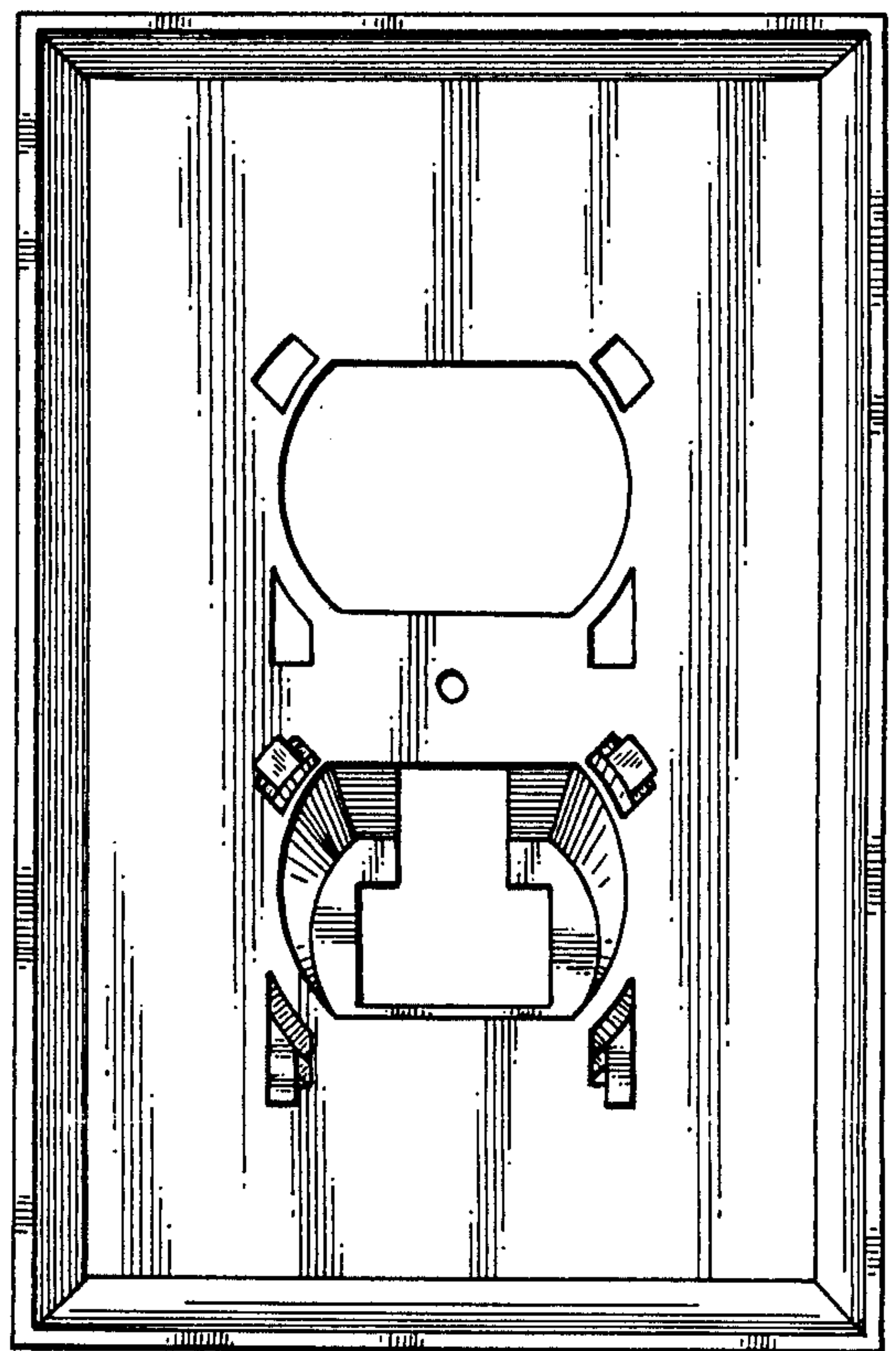


FIG. 6