

[54] HANDLE FOR POCKET BLADE

[76] Inventors: John M. Schmidt, 19653 Landcaster, Harper Woods, Mich. 48225; Richard J. Osemlak, 16236 State Fair, Detroit, Mich. 48205

[**] Term: 14 Years

[21] Appl. No.: 70,502

[22] Filed: Jul. 6, 1987

[52] U.S. Cl. D8/99

[58] Field of Search D8/14, 95-102, D8/105, 107; D22/118; 30/155-163, 340, 112, 294, 314, 329-339; 7/158, 118, 119

[56] References Cited

U.S. PATENT DOCUMENTS

1,434,388	11/1922	Hughes	30/162
1,599,800	9/1926	Van Sickel	30/162
2,054,480	9/1936	Leitshuh	30/340
2,632,244	3/1953	Belsky	30/162
3,448,518	6/1969	Sklar	30/335

FOREIGN PATENT DOCUMENTS

22478	of 1899	United Kingdom	30/162
-------	---------	----------------	--------

OTHER PUBLICATIONS

Abitaire, Dec. 1983, p. 56, 4 knives in center of page. OLFA catalogue, pp. 1 and 2, subknives "SK-1" and SK-2 and Olfa Cutter A.

Primary Examiner—Bruce W. Dunkins
Assistant Examiner—Clare E. Heflin
Attorney, Agent, or Firm—Harness, Dickey & Pierce

[57] CLAIM

The ornamental design for a handle for pocket blade, as shown and described.

DESCRIPTION

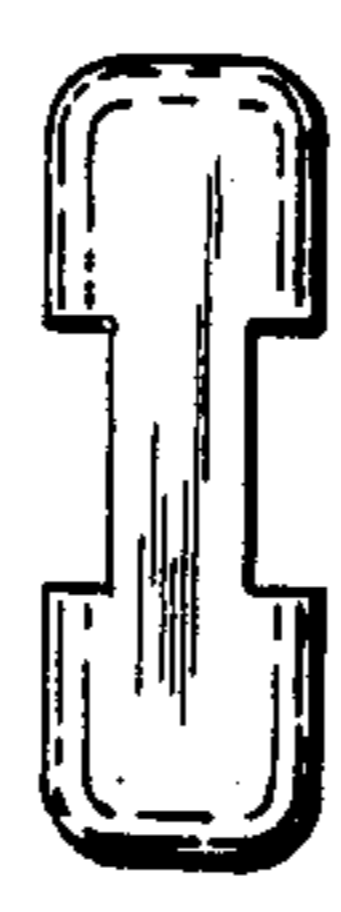
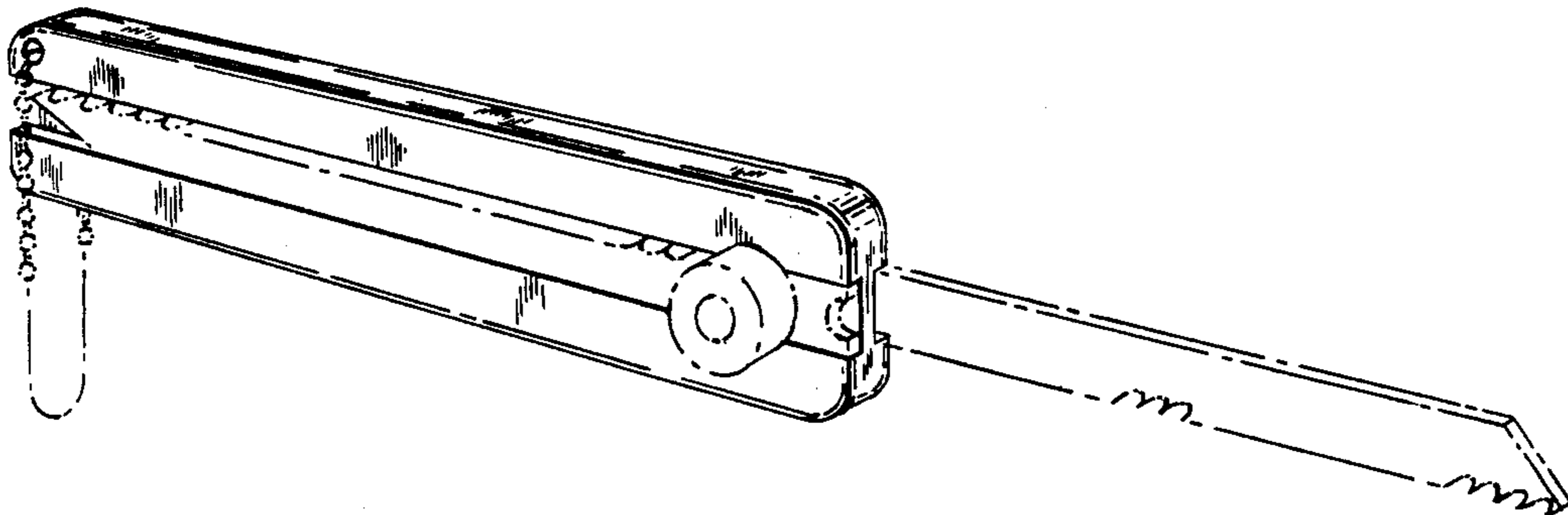
FIG. 1 is a perspective view of the handle for pocket blade showing our new design.

FIG. 2 is a top plan view thereof, the bottom view being identical.

FIG. 3 is a side elevational view thereof, the opposite side being a mirror image.

FIG. 4 is an end elevational view thereof, the opposite end being identical.

The broken line showing of the blade, chain and button in FIG. 1 is for illustrative purposes only and forms no part of the claimed design.



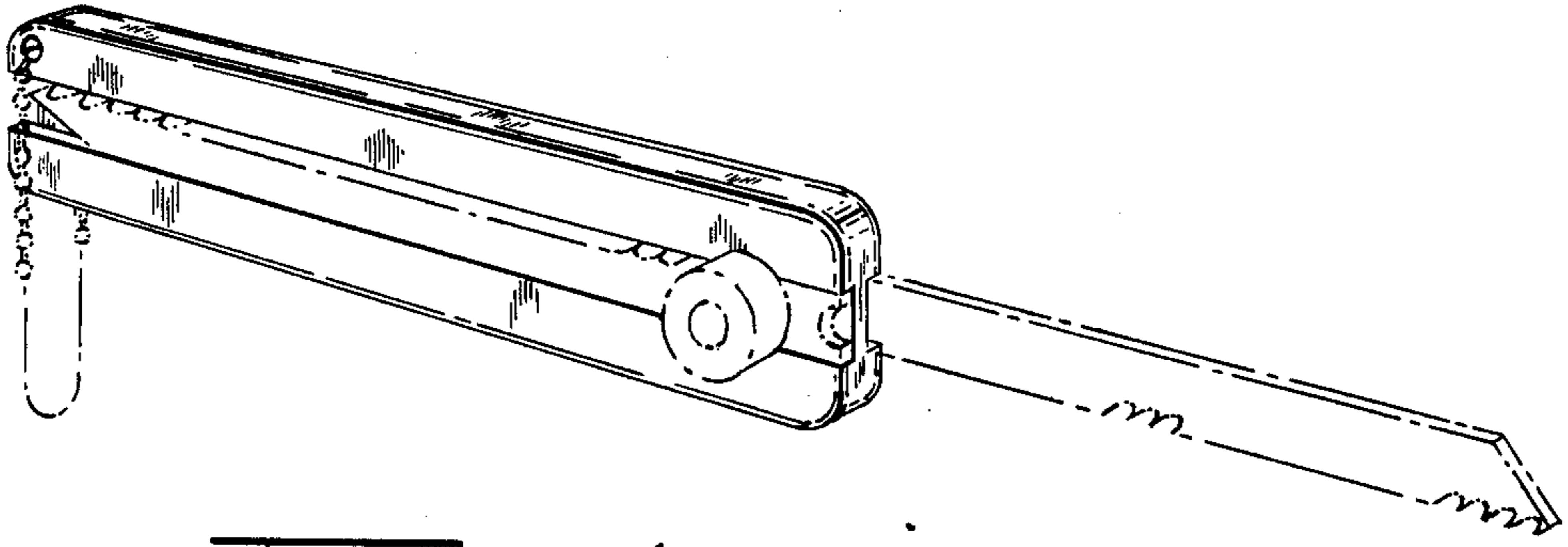


FIG. 1.

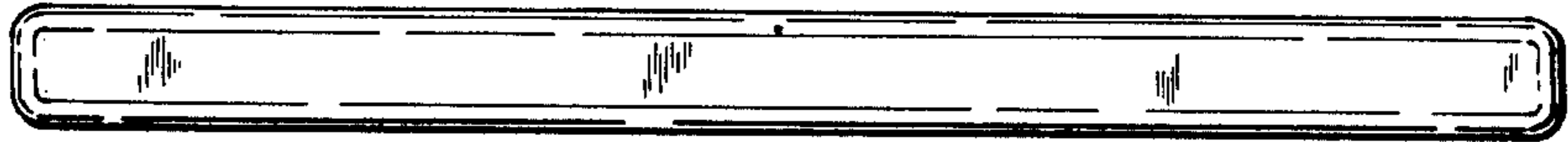


FIG. 2.

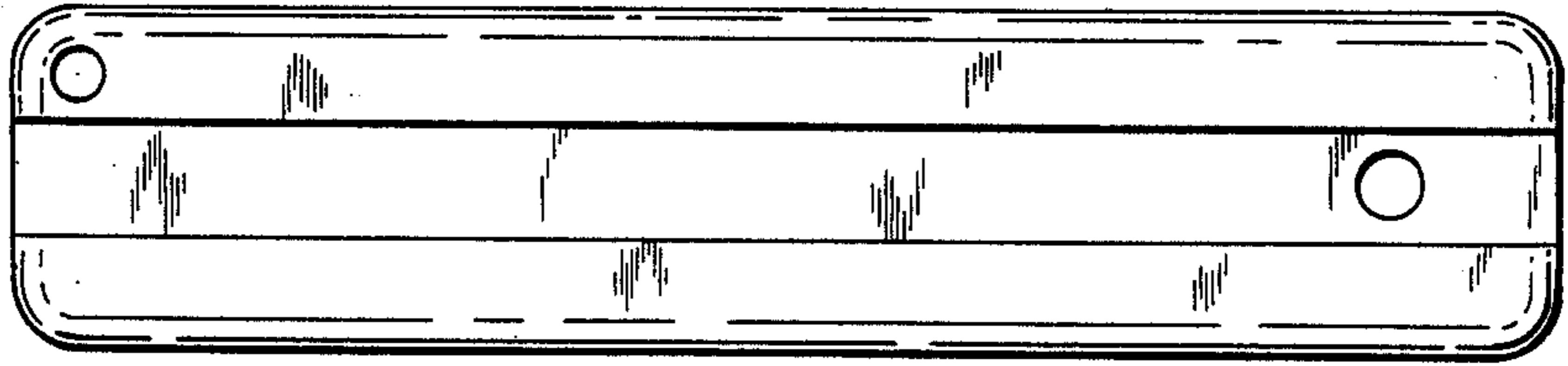


FIG. 3.

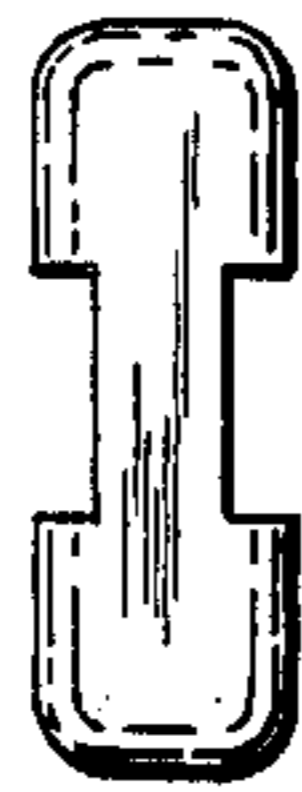


FIG. 4.