

[54] SCREWDRIVER

[75] Inventor: Shintaro Tsuji, Tokyo, Japan
 [73] Assignee: Sanrio Company, Ltd., Tokyo, Japan
 [**] Term: 14 Years
 [21] Appl. No.: 70,515
 [22] Filed: Jul. 7, 1987
 [52] U.S. Cl. D8/82; D21/141
 [58] Field of Search D8/14, 82-87,
 D8/107; D21/135, 137, 141; 81/436, 441, 460,
 461, 177.1, 489, 452

FOREIGN PATENT DOCUMENTS

142407 7/1951 Australia 81/436
 894363 4/1962 United Kingdom 81/177.1

Primary Examiner—Nelson C. Holtje
 Assistant Examiner—Clare E. Heflin
 Attorney, Agent, or Firm—Owen, Wickersham &
 Erickson

[56] References Cited

U.S. PATENT DOCUMENTS

D. 211,809 7/1968 Genin D21/137
 D. 248,922 8/1978 Osak, Jr. D8/82
 D. 266,779 11/1982 Appel et al. D21/137
 1,547,093 7/1925 Burch 81/177.1
 3,340,751 9/1967 Figgis 81/436

[57] CLAIM

The ornamental design for a screwdriver, as shown and described.

DESCRIPTION

FIG. 1 is a side elevational view of the screwdriver showing my new design, the opposite side being identical.

FIG. 2 is a front elevational view thereof, the rear view being identical.

FIG. 3 is a cross-sectional view thereof, taken along the line 3—3 in FIG. 2.

FIG. 4 is a bottom plan view thereof.

FIG. 5 is a top plan view thereof.

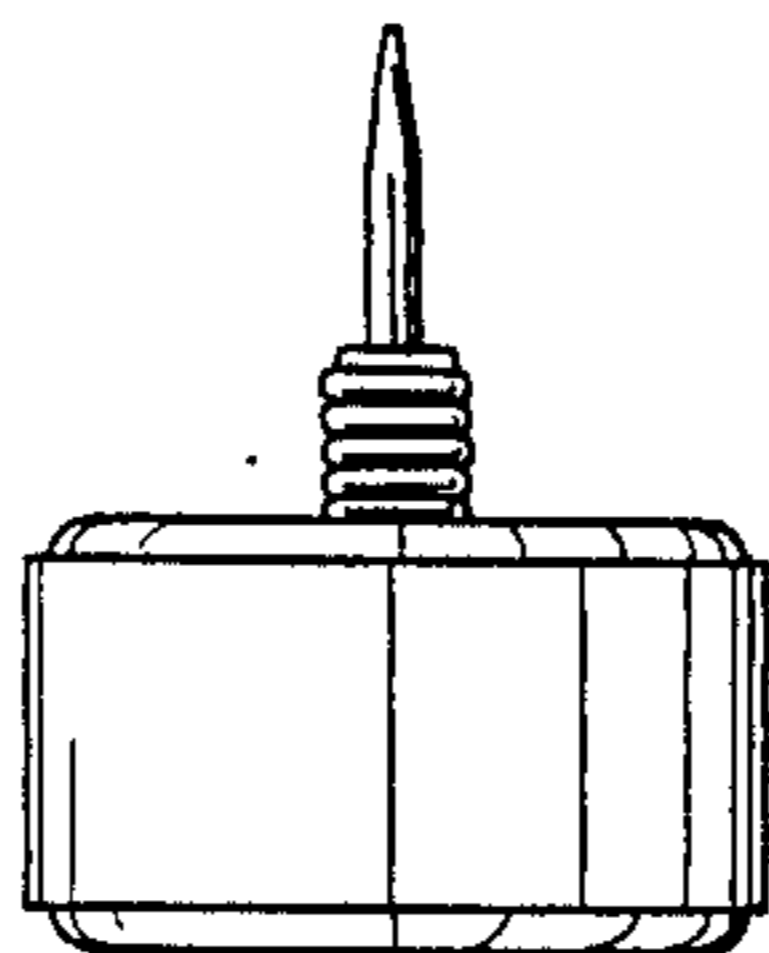
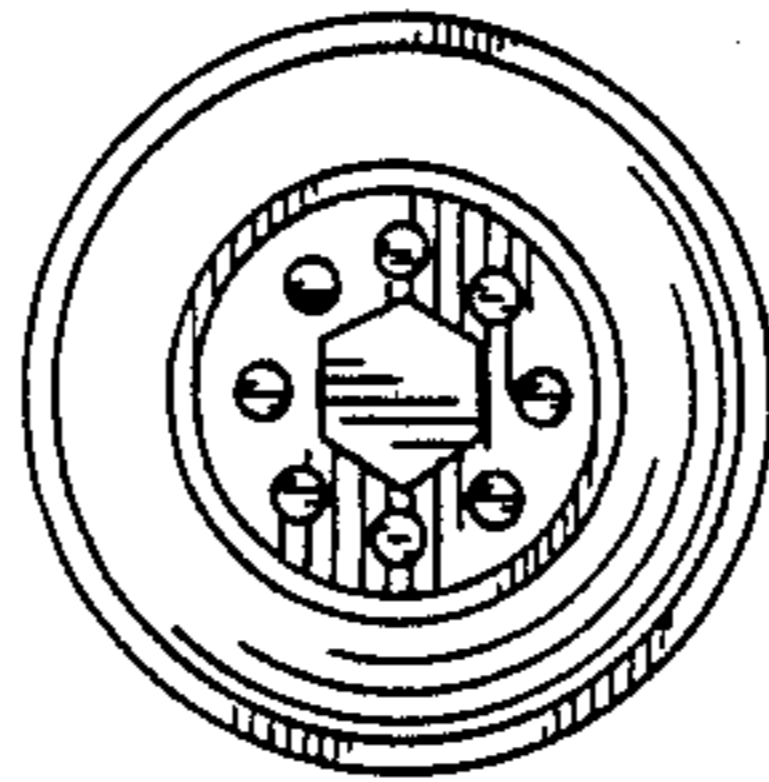


FIG. 3

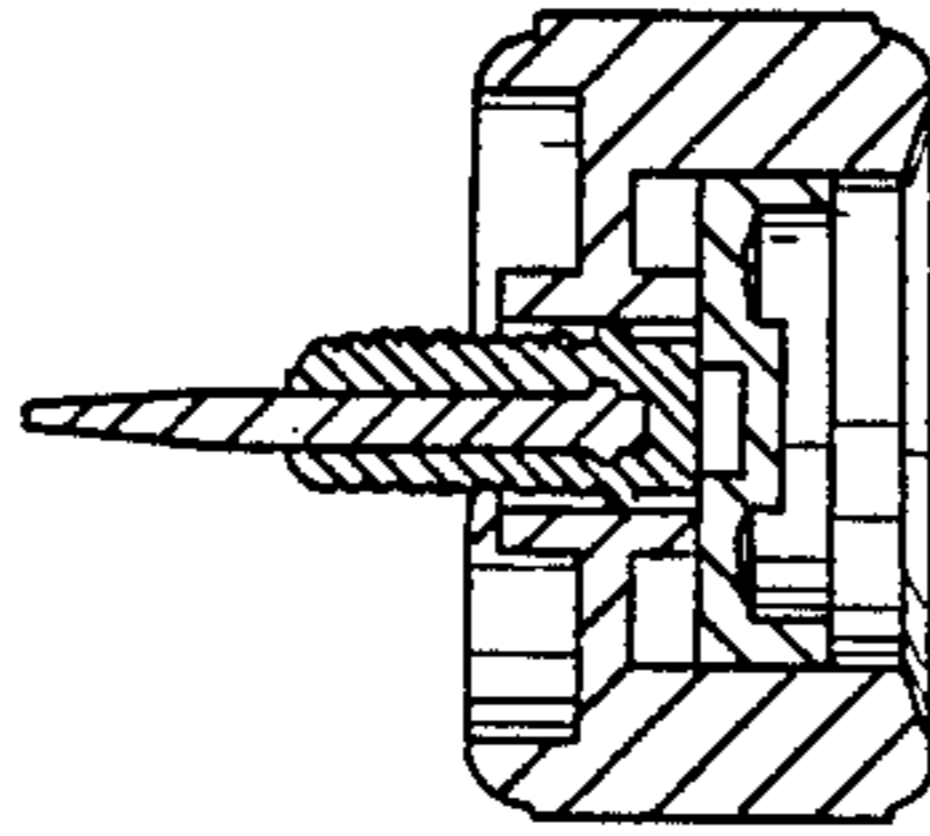


FIG. 4

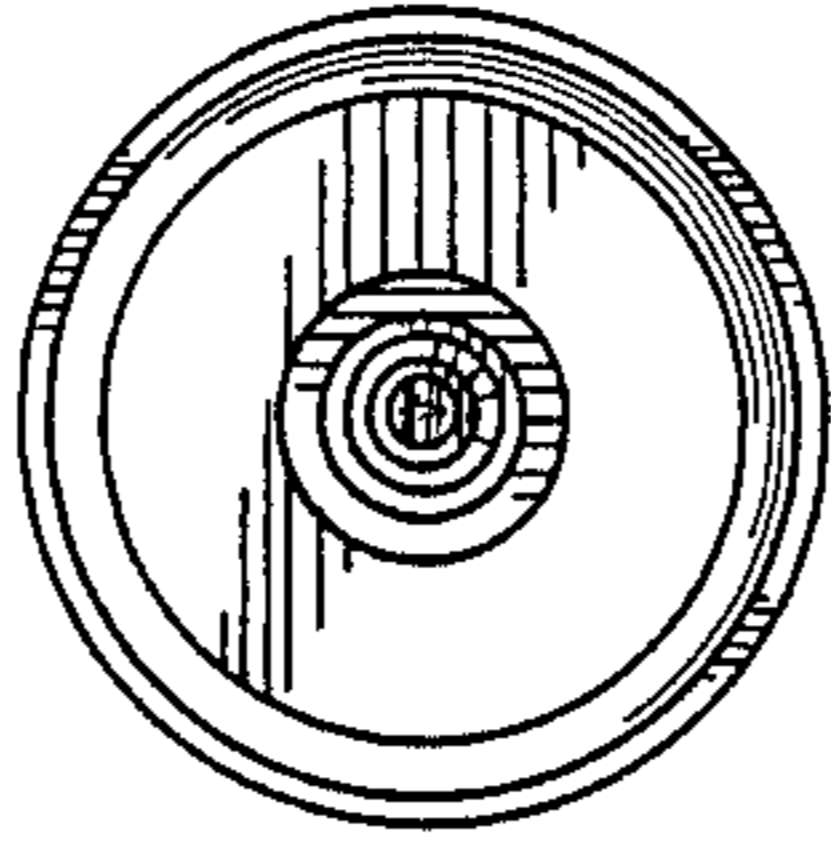


FIG. 5

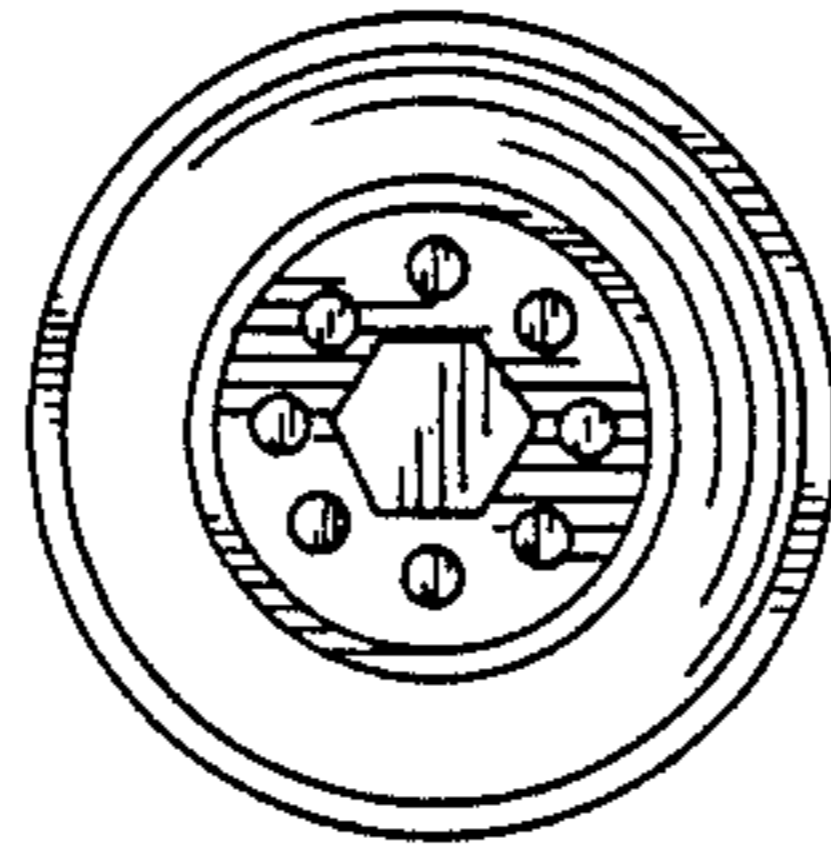


FIG. 2

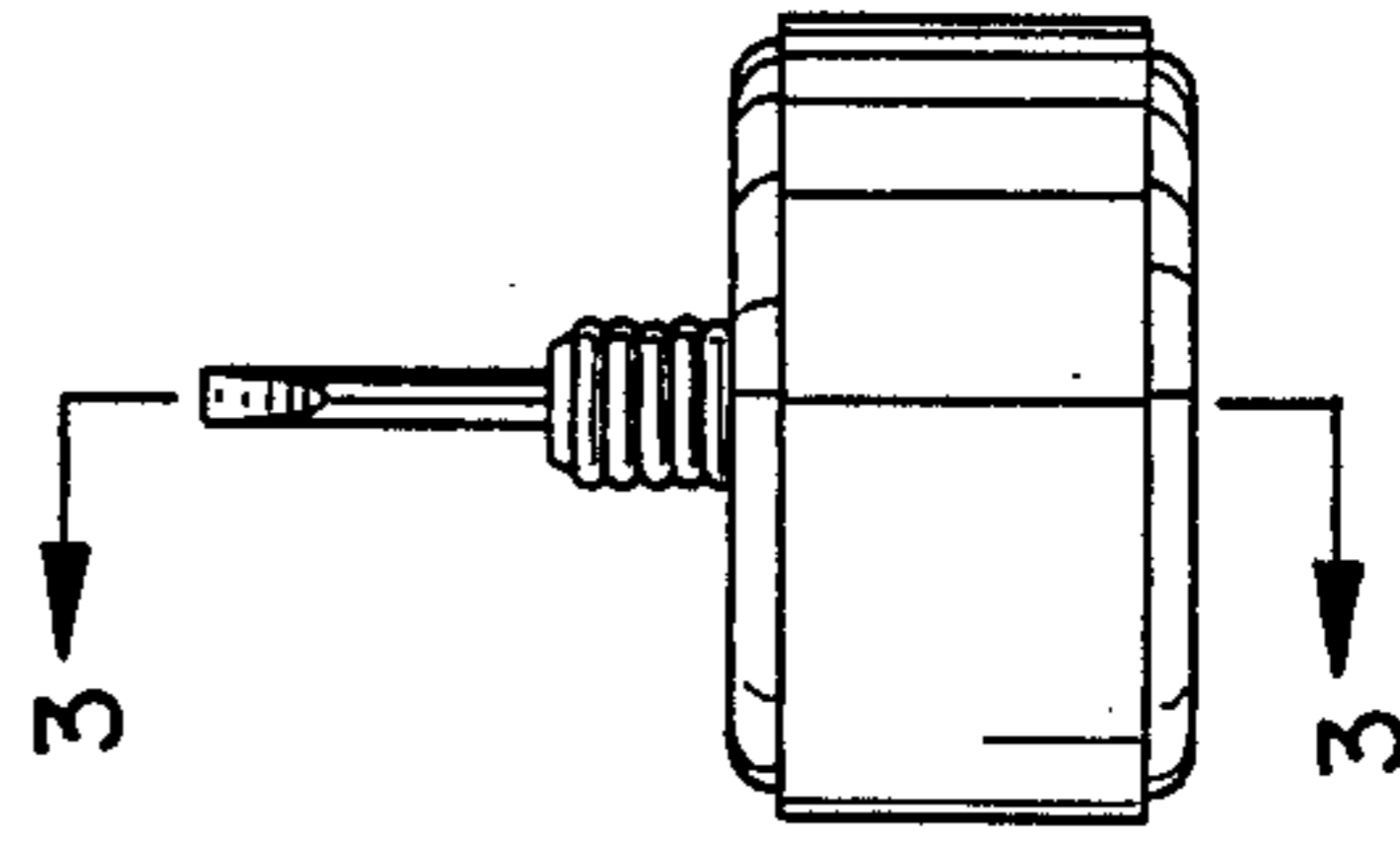


FIG. 1

