

United States Patent [19]

Yamamoto et al.

[11] Patent Number: **Des. 309,087**

[45] Date of Patent: **** Jul. 10, 1990**

[54] **ELECTRIC CHAIN SAW**

4,716,654 1/1988 Wallmark 30/383

[75] Inventors: **Etsushi Yamamoto, Hiroshima;**
Toshiaki Saito, Tokyo, both of Japan

[73] Assignee: **Ryobi Ltd., Hiroshima, Japan**

[**] Term: **14 Years**

[21] Appl. No.: **103,974**

[22] Filed: **Oct. 2, 1987**

[30] **Foreign Application Priority Data**

Apr. 17, 1987 [JP] Japan 62-15226

[52] U.S. Cl. **D8/65; D8/69**

[58] Field of Search **D8/61-70;**
30/381, 382, 383

[56] **References Cited**

U.S. PATENT DOCUMENTS

D. 237,352 10/1975 Shymkus D8/68 X

D. 273,456 4/1984 McDougall et al. D8/65

D. 288,896 3/1987 Yamamoto et al. D8/65

OTHER PUBLICATIONS

Sears Craftsman Chain Saws brochure, 4/1973, p. 1,
Electric Chain Saws.

Primary Examiner—Winifred E. Herrmann

Assistant Examiner—John Warchol

Attorney, Agent, or Firm—Sughrue, Mion, Zinn,
Macpeak & Seas

[57] **CLAIM**

The ornamental design for an electric chain saw, as shown.

DESCRIPTION

FIG. 1 is a front, top and left side perspective view of an electric chain saw showing our new design;

FIG. 2 is a right side elevational view thereof;

FIG. 3 is a top plan view thereof;

FIG. 4 is a front elevational view thereof;

FIG. 5 is a rear elevational view thereof;

FIG. 6 is a left side elevational view thereof; and

FIG. 7 is a bottom plan view thereof.

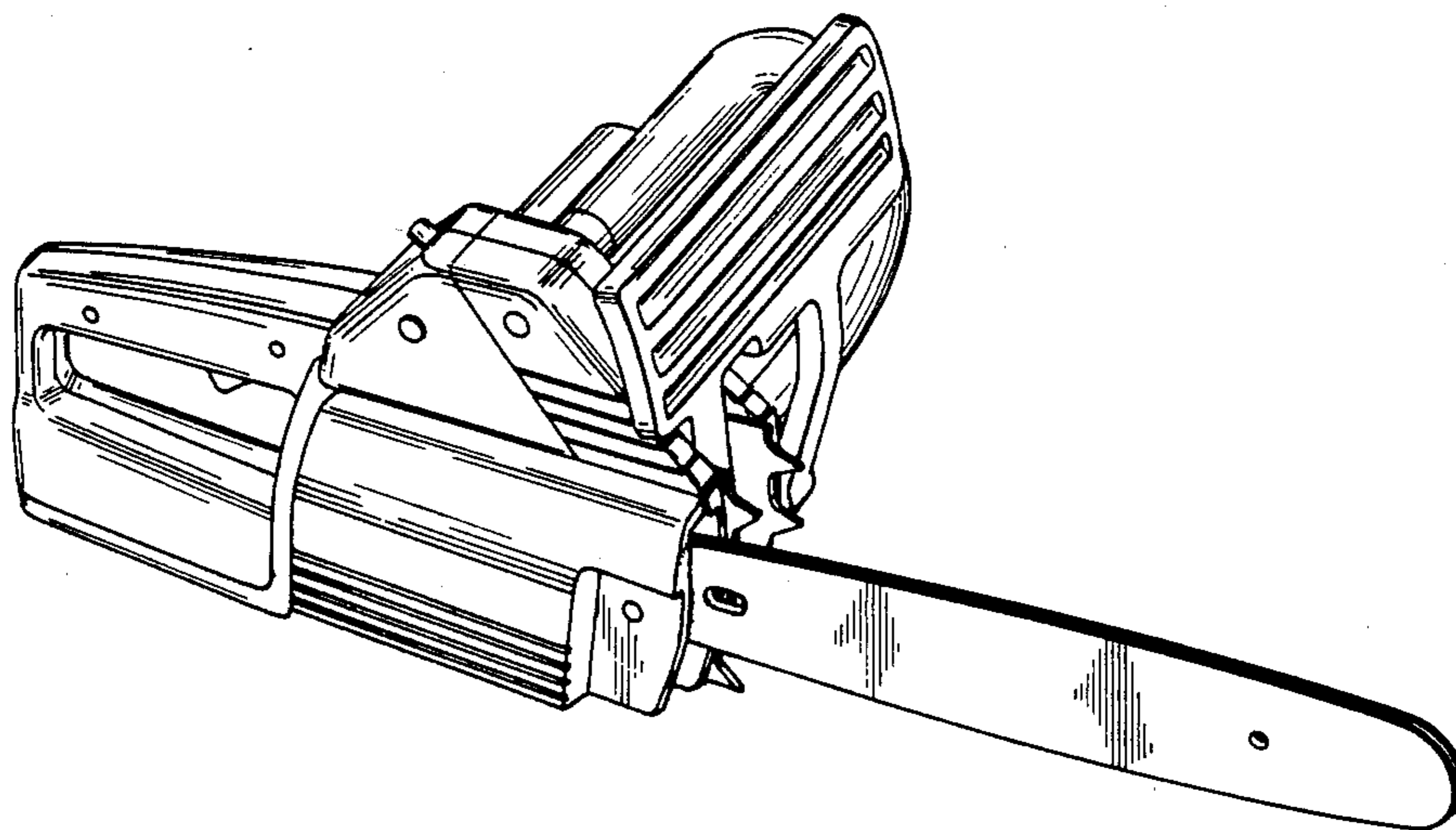


FIG. 1

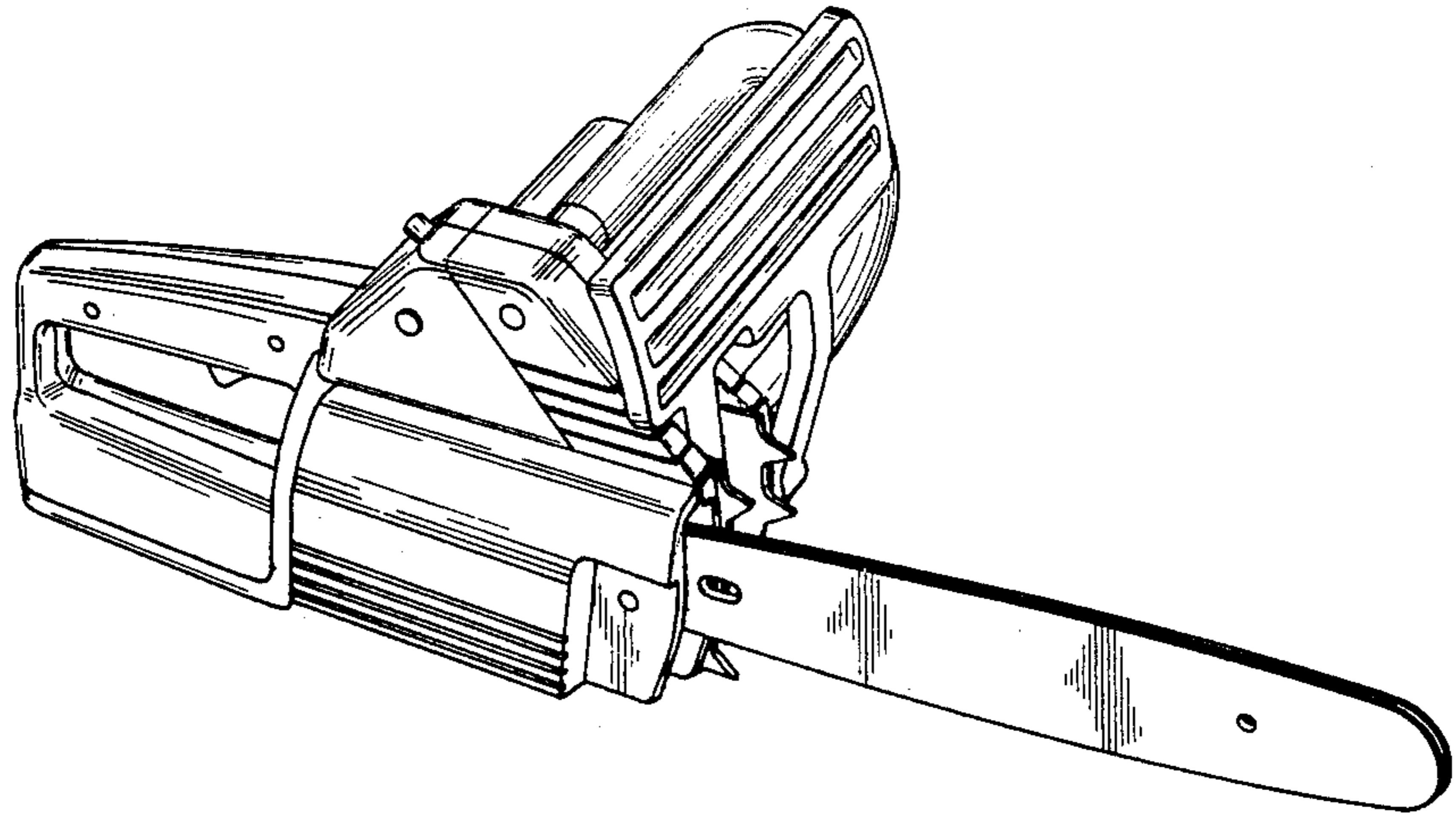


FIG. 2

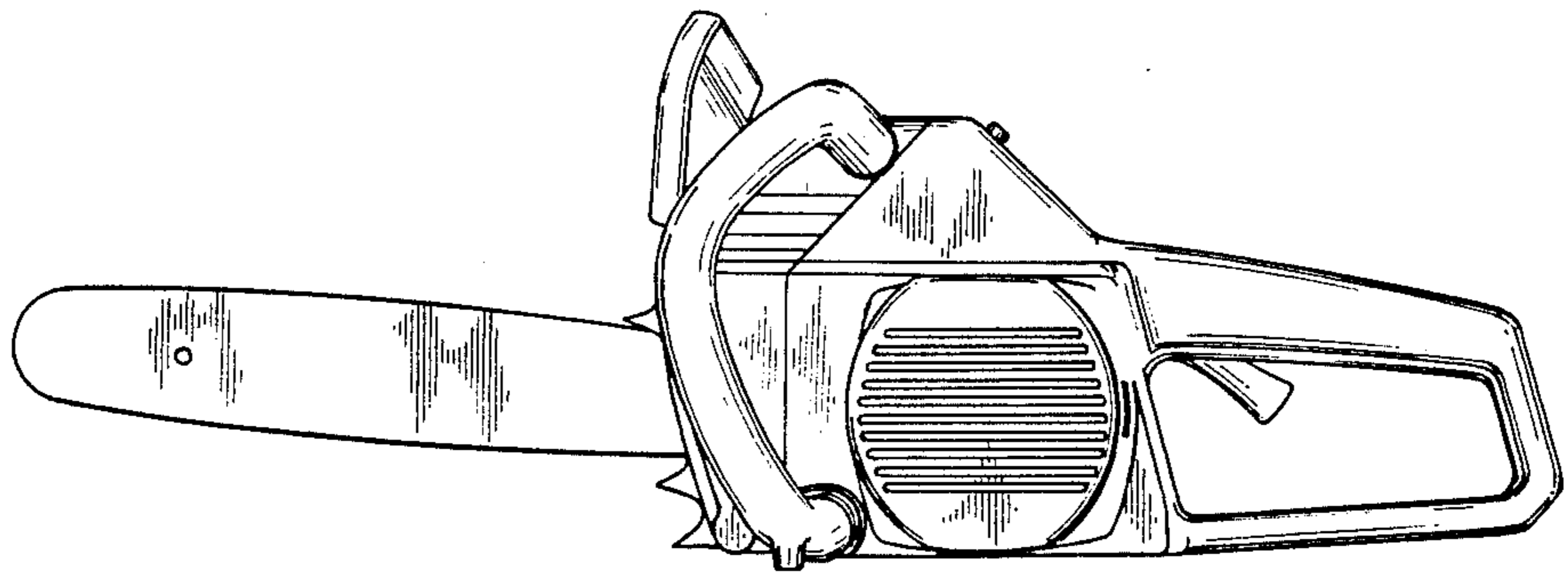


FIG. 3

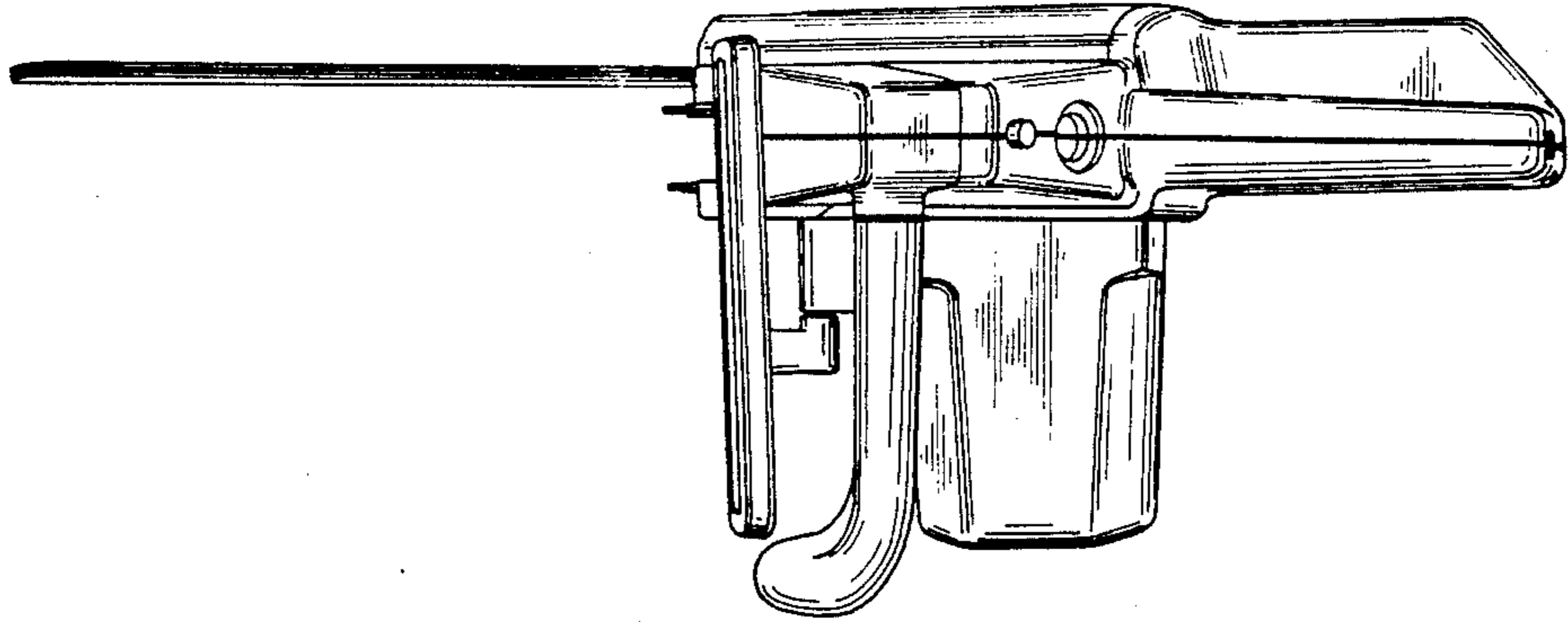


FIG. 4

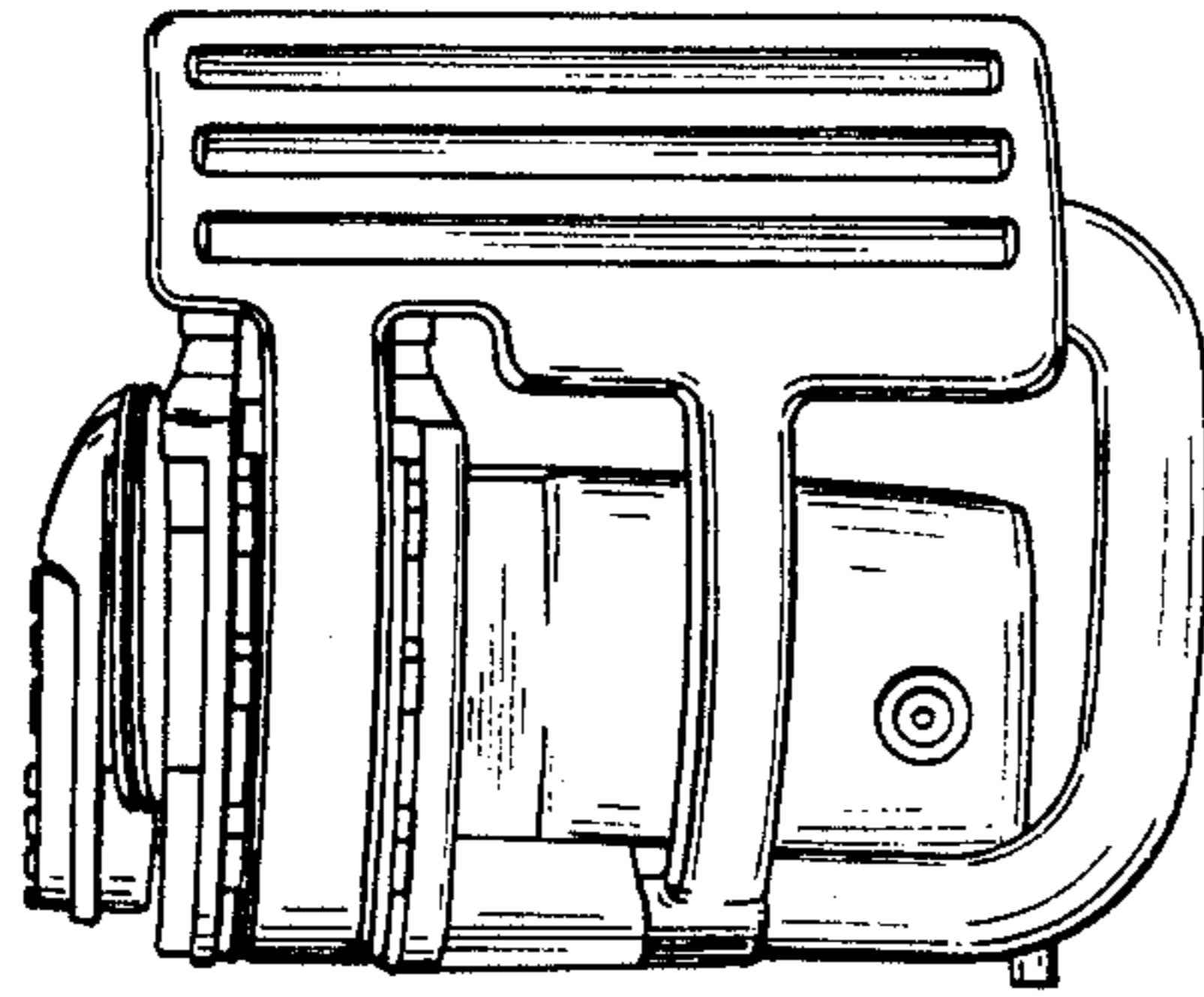


FIG. 5

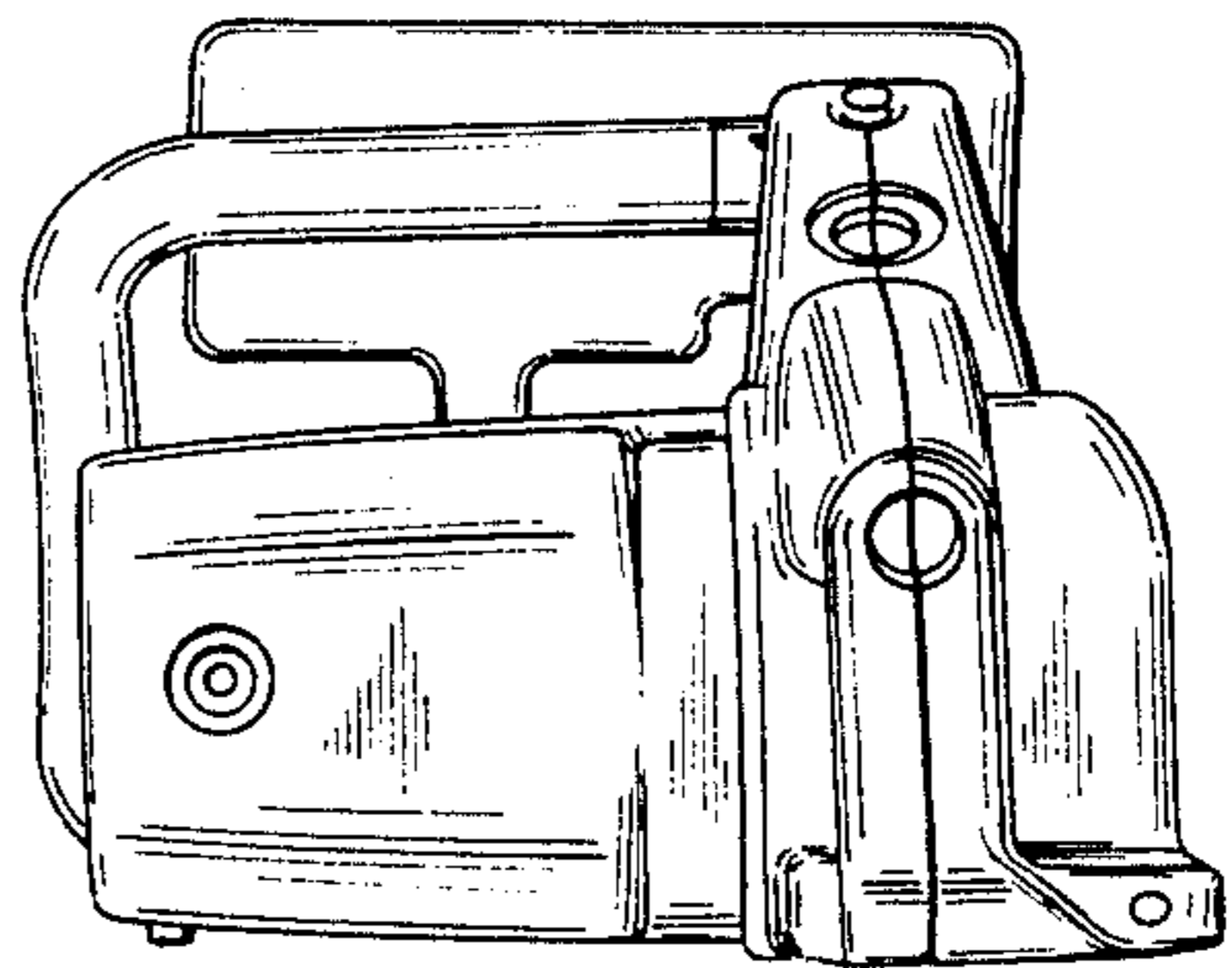


FIG. 6

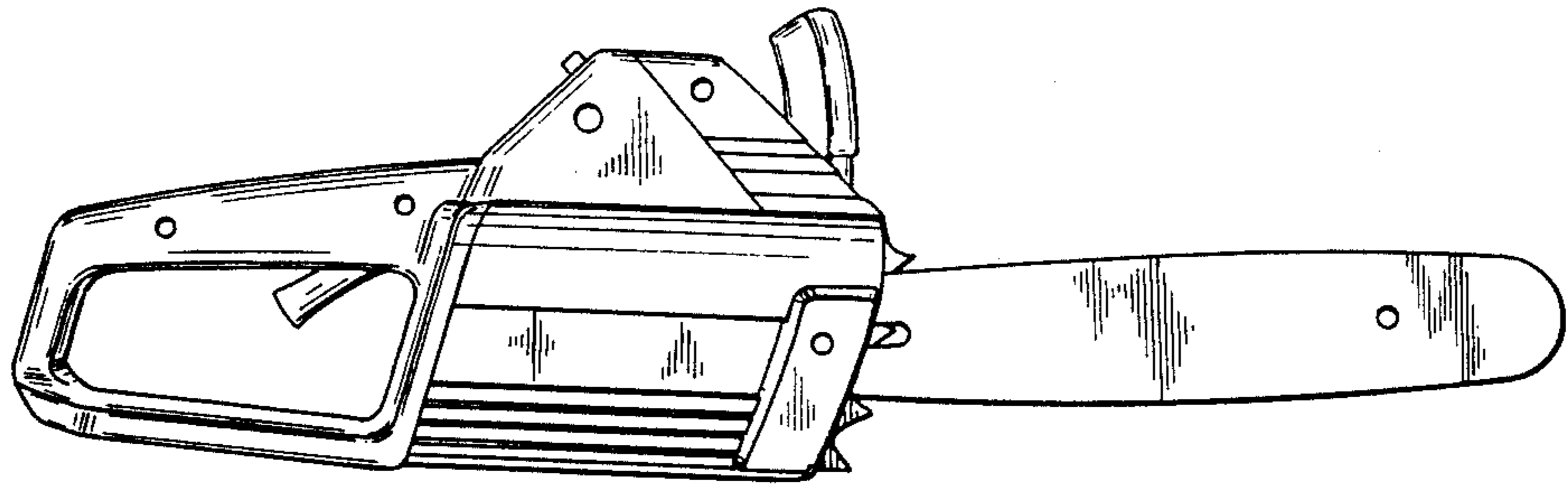


FIG. 7

