

[54] **CAN-OPENER**

[75] **Inventor: Jan F. Van Asten, Klagenfurt, Austria**
[73] **Assignee: U.S. Philips Corporation, New York, N.Y.**

[**] **Term: 14 Years**

[21] **Appl. No.: 194,782**

[22] **Filed: May 17, 1988**

[30] **Foreign Application Priority Data**
Nov. 23, 1987 [GB] United Kingdom 1.046.548
[52] **U.S. Cl. D8/36**
[58] **Field of Search D8/33-36;**
30/400, 416, 426, 434, 441

[56] **References Cited**
U.S. PATENT DOCUMENTS

D. 288,403 2/1987 Steinkamp et al. D8/36
4,520,567 6/1985 Crawford 30/441 X

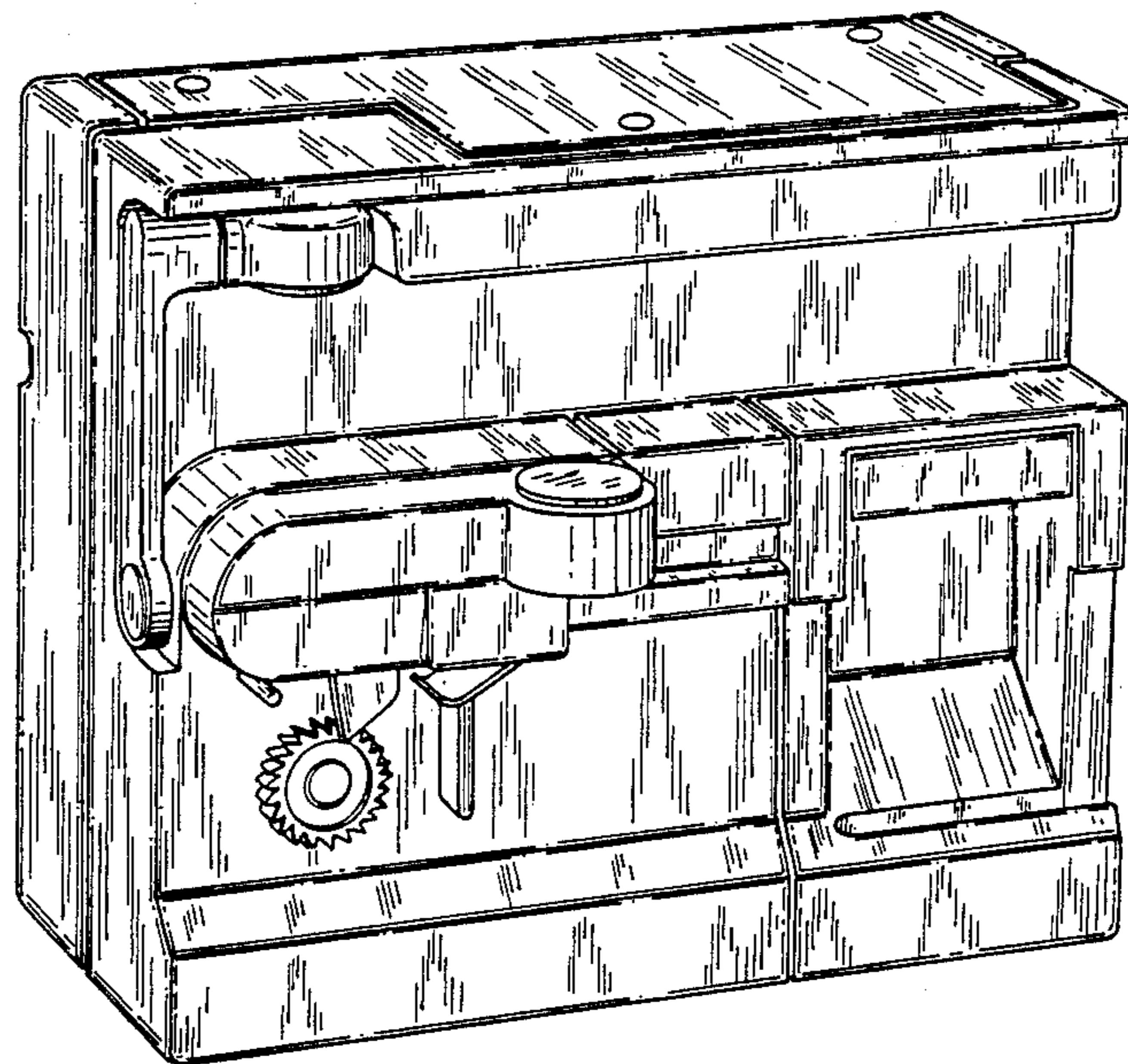
Primary Examiner—Bernard Ansher
Assistant Examiner—Terry A. Pfeffer

[57] **CLAIM**

The ornamental design for a can-opener, as shown.

DESCRIPTION

FIG. 1 is a front, top and left side perspective view of a can opener showing my new design;
FIG. 2 is a front elevational view thereof;
FIG. 3 is a rear elevational view thereof;
FIG. 4 is a top plan view thereof;
FIG. 5 is a bottom plan view thereof;
FIG. 6 is a left side elevational view thereof;
FIG. 7 is a right side elevational view thereof.



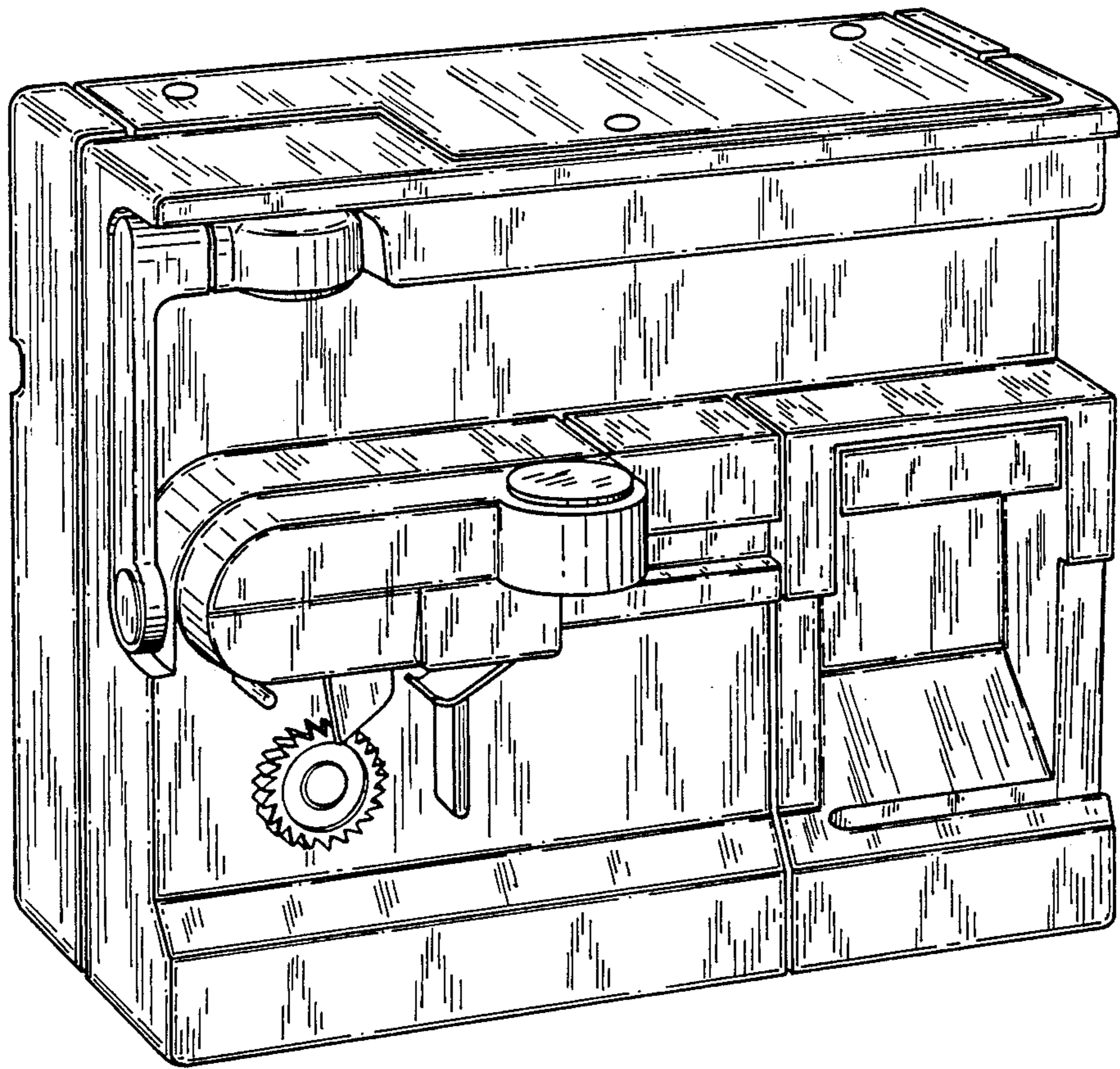


FIG. 1

FIG. 2

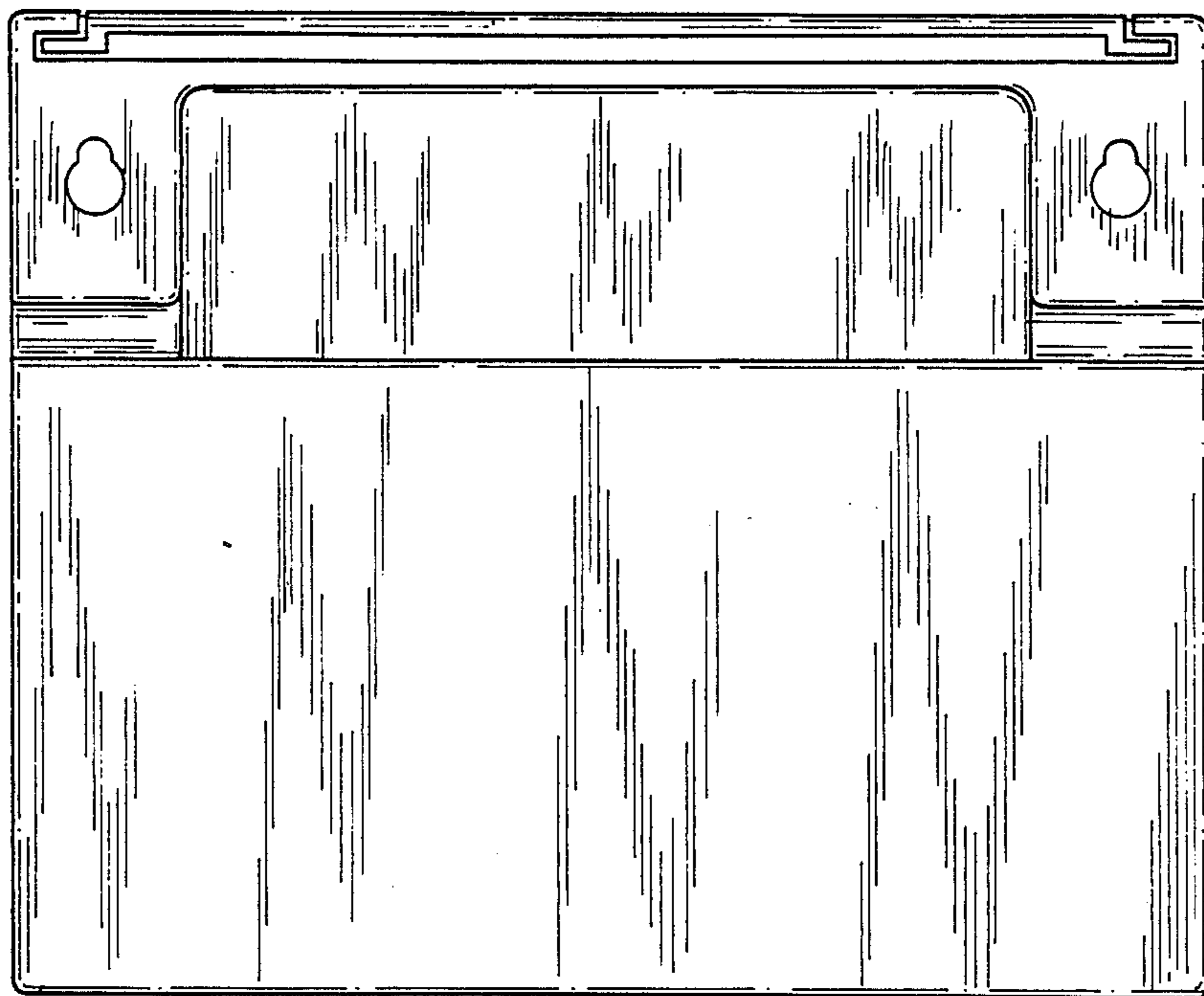
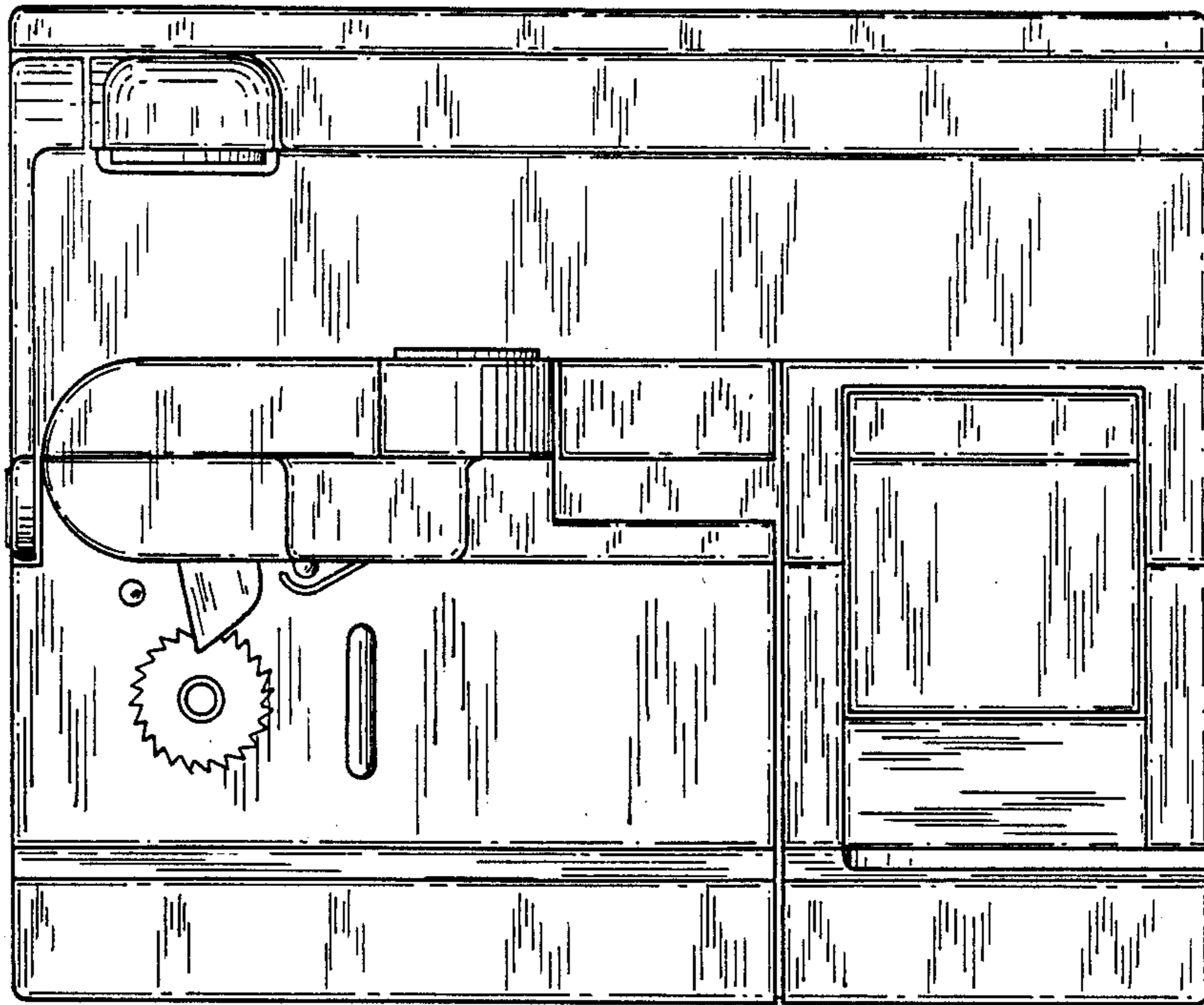


FIG. 3

FIG. 4

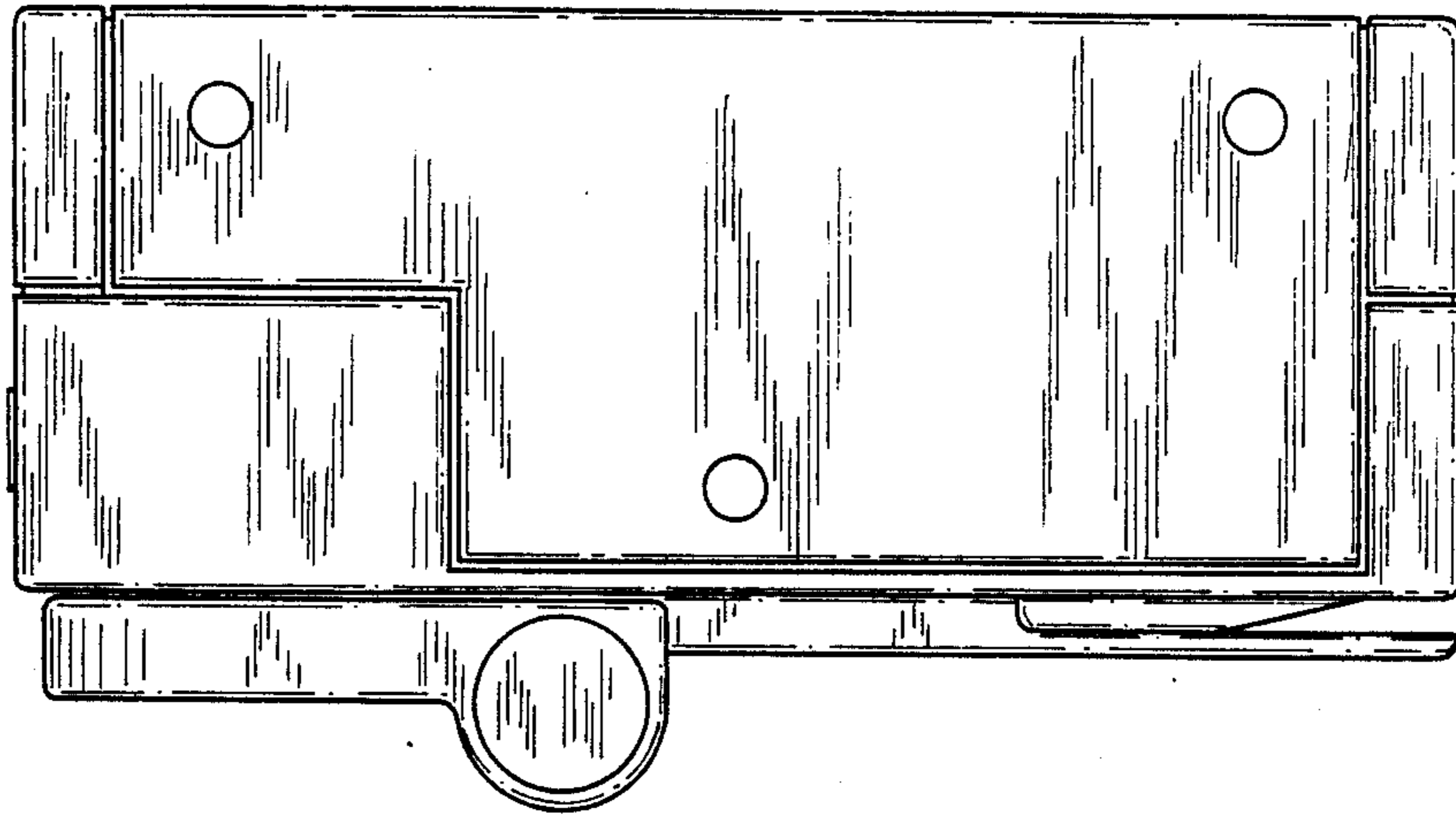
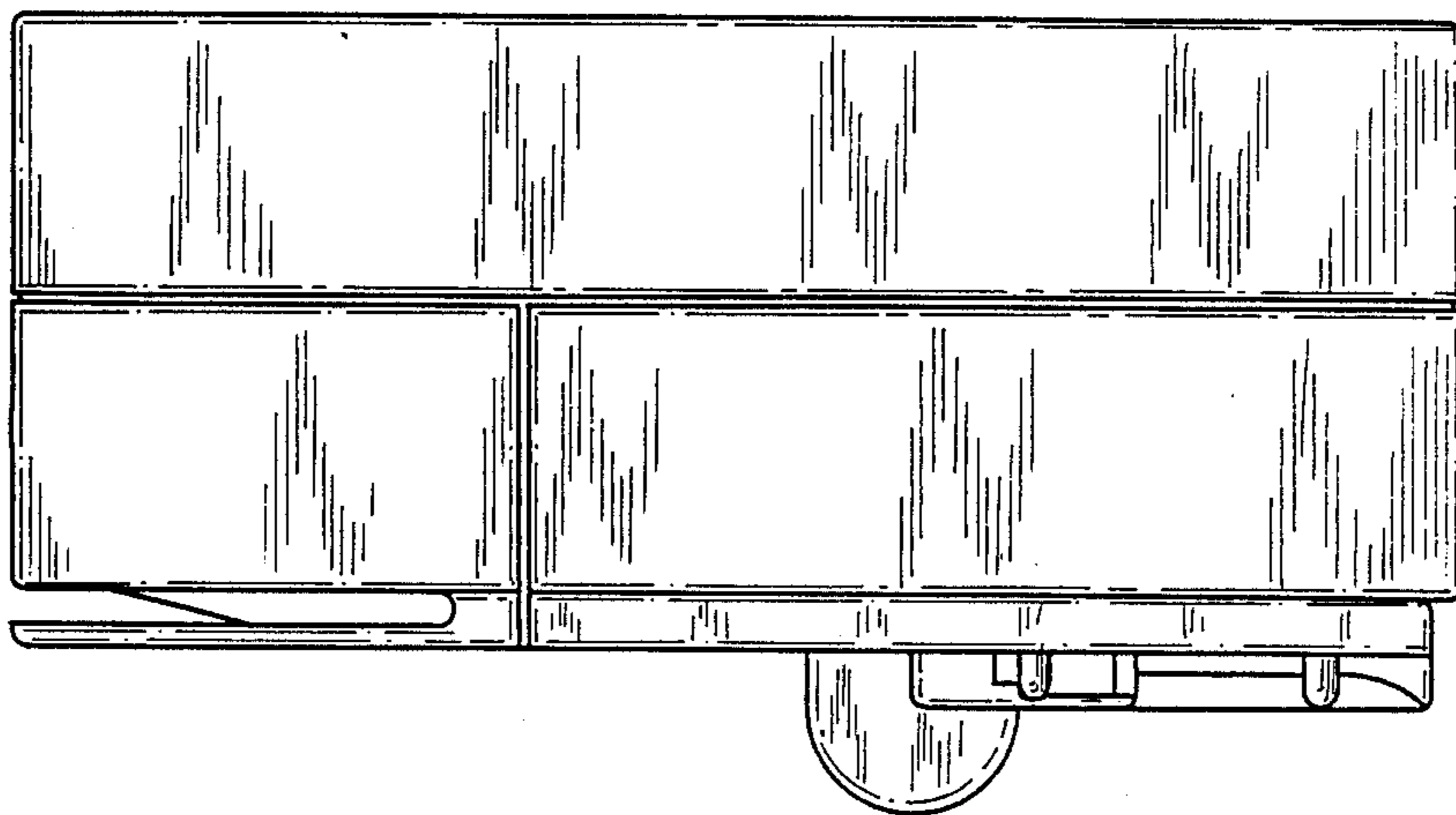


FIG. 5



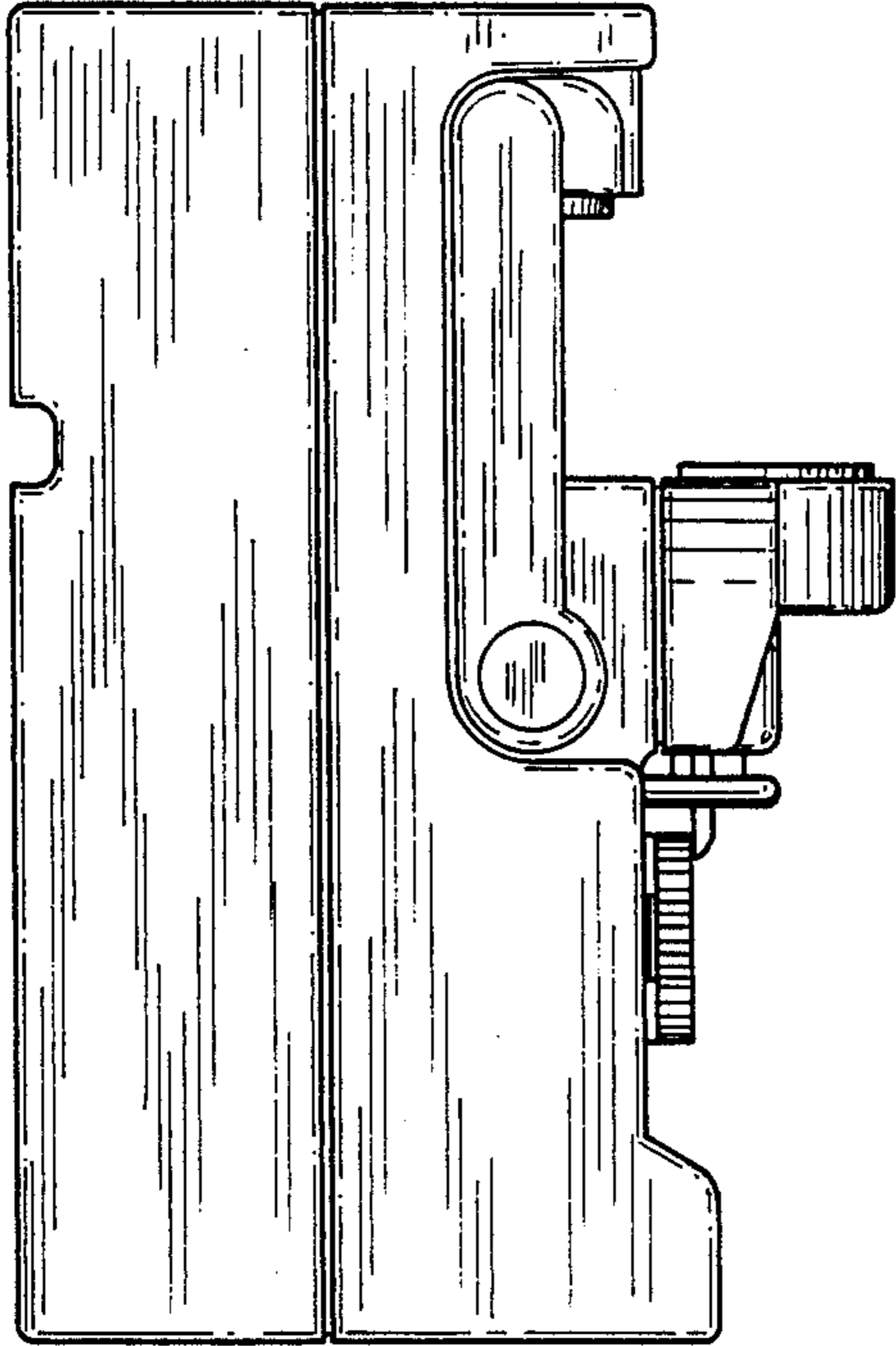


FIG. 6

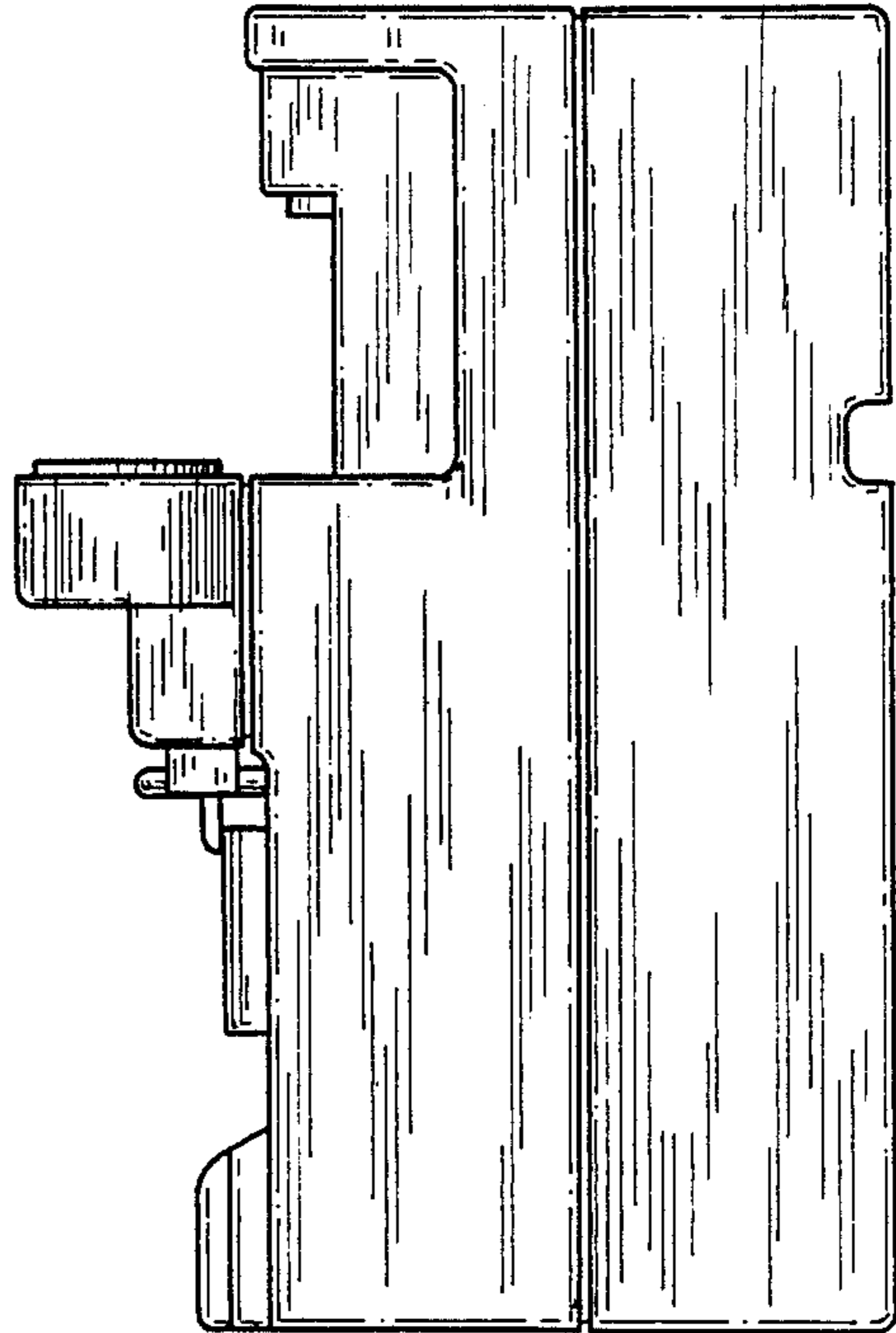


FIG. 7