

[54] CAN OPENER

[76] Inventor: Georg- H. Usbeck, Frauenbergstrasse 33, D-3550 Marburg/Lahn 1, Fed. Rep. of Germany

[**] Term: 14 Years

[21] Appl. No.: 84,113

[22] Filed: Aug. 12, 1987

[30] Foreign Application Priority Data

Feb. 19, 1987 [DE] Fed. Rep. of Germany ... 16 MR 348

[52] U.S. Cl. D8/33

[58] Field of Search D8/41, 36, 40, 39; 30/426, 427, 433, 400, 409, 421-425

[56] References Cited

U.S. PATENT DOCUMENTS

D. 269,150 5/1983 Schülein D8/41 X

D. 296,752 7/1988 Shimoo D8/36

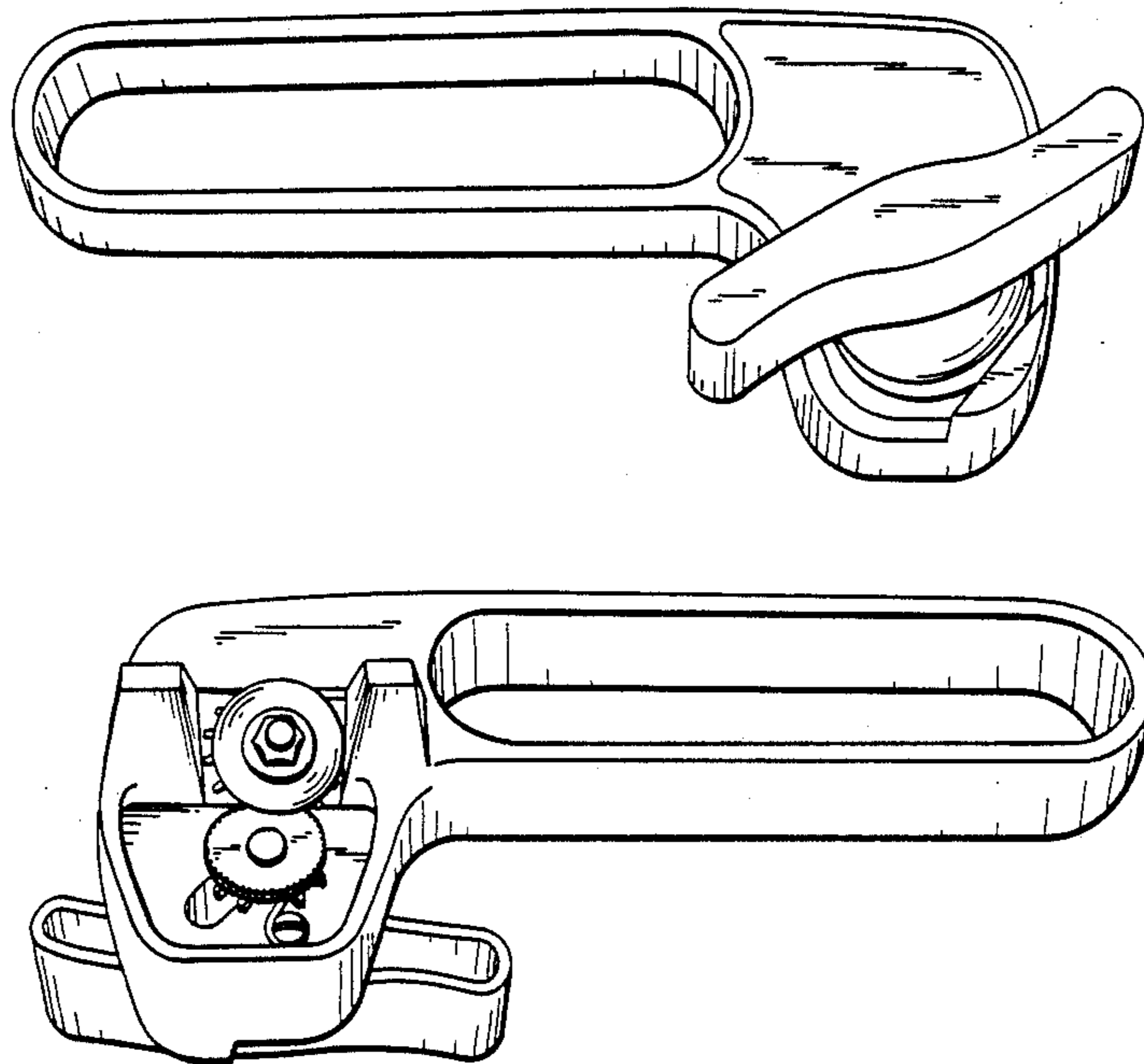
Primary Examiner—Bernard Ansher
Assistant Examiner—Terry A. Pfeffer
Attorney, Agent, or Firm—Fred Philpitt

[57] CLAIM

The ornamental design for a can opener, as shown and described.

DESCRIPTION

FIG. 1 is a rear perspective view of a can opener showing my new design;
FIG. 2 is a front perspective view thereof;
FIG. 3 is a front elevational view thereof;
FIG. 4 is a front elevational view thereof;
FIG. 5 is a top plan view thereof;
FIG. 6 is a bottom plan view thereof;
FIG. 7 is a right side elevational view thereof;
FIG. 8 is a left side elevational view thereof; and
FIG. 9 is a rear elevational view thereof.



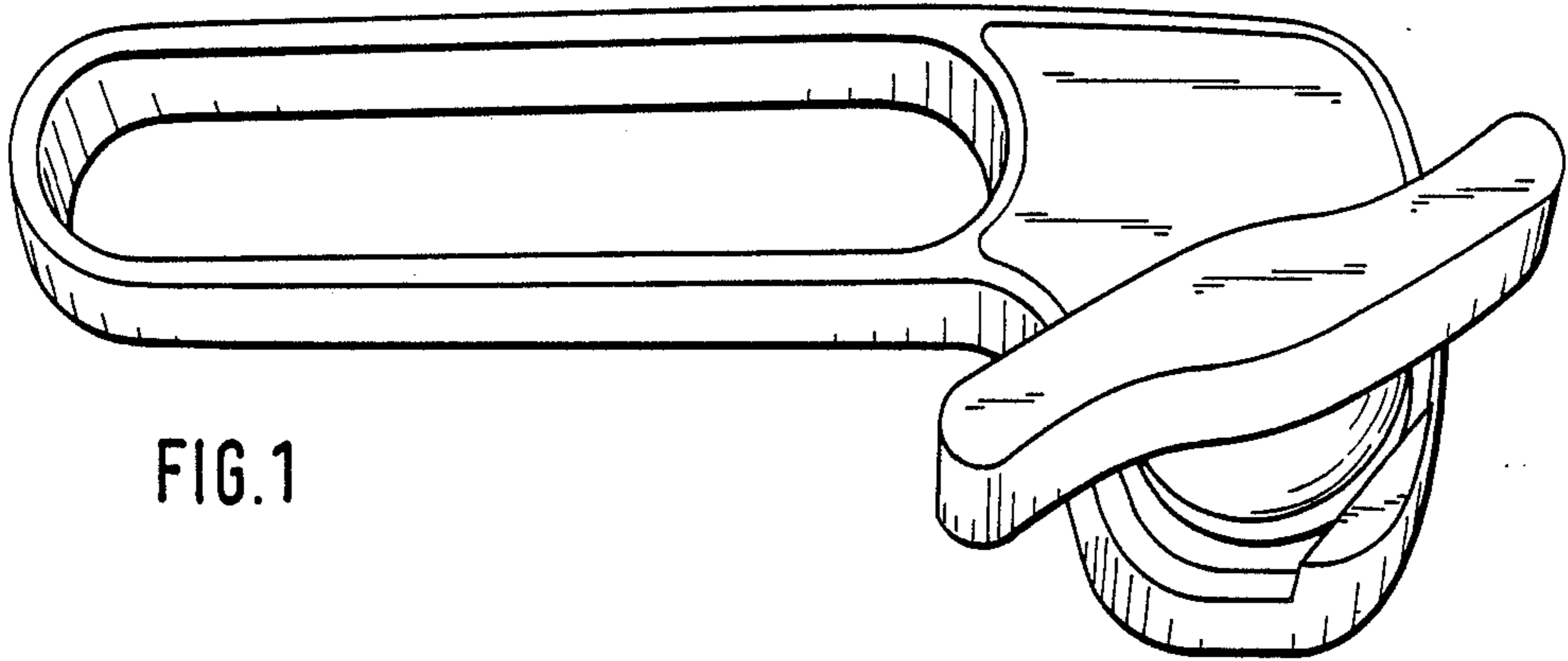


FIG. 1

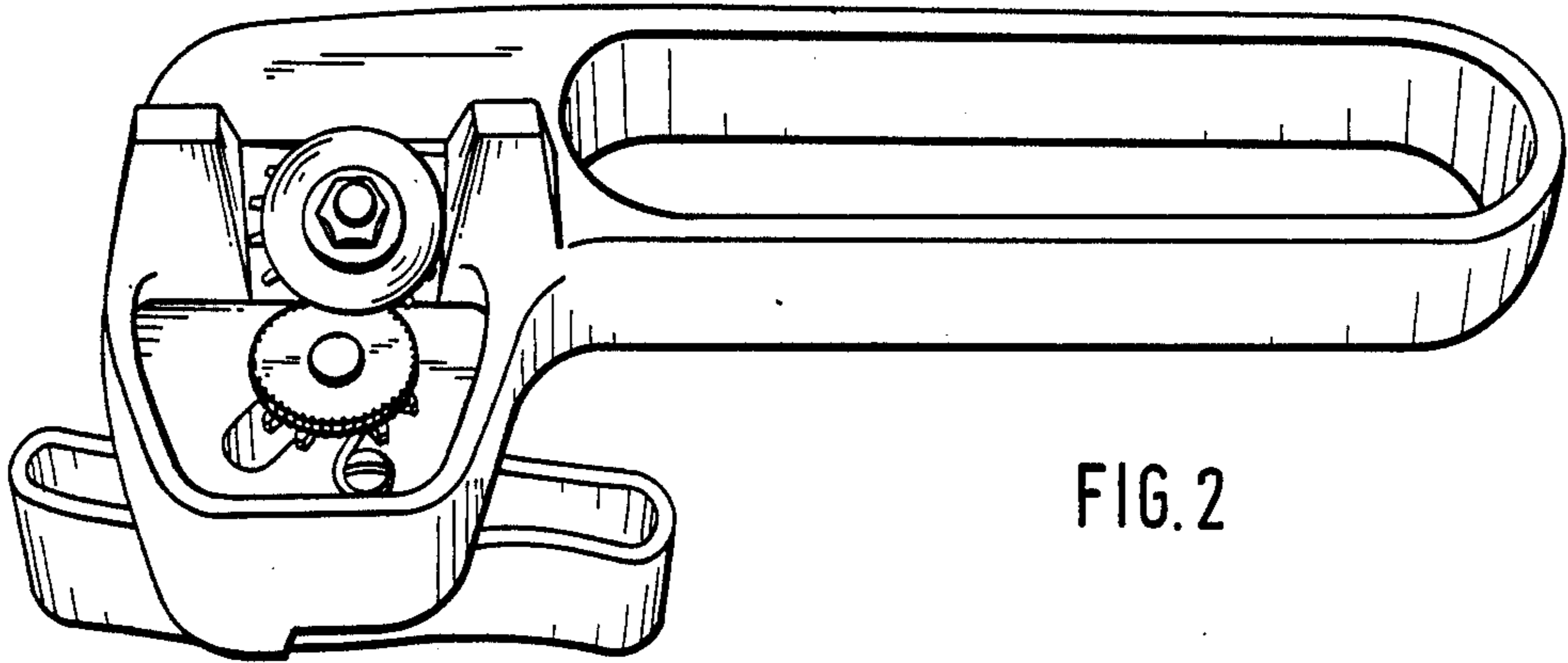


FIG. 2

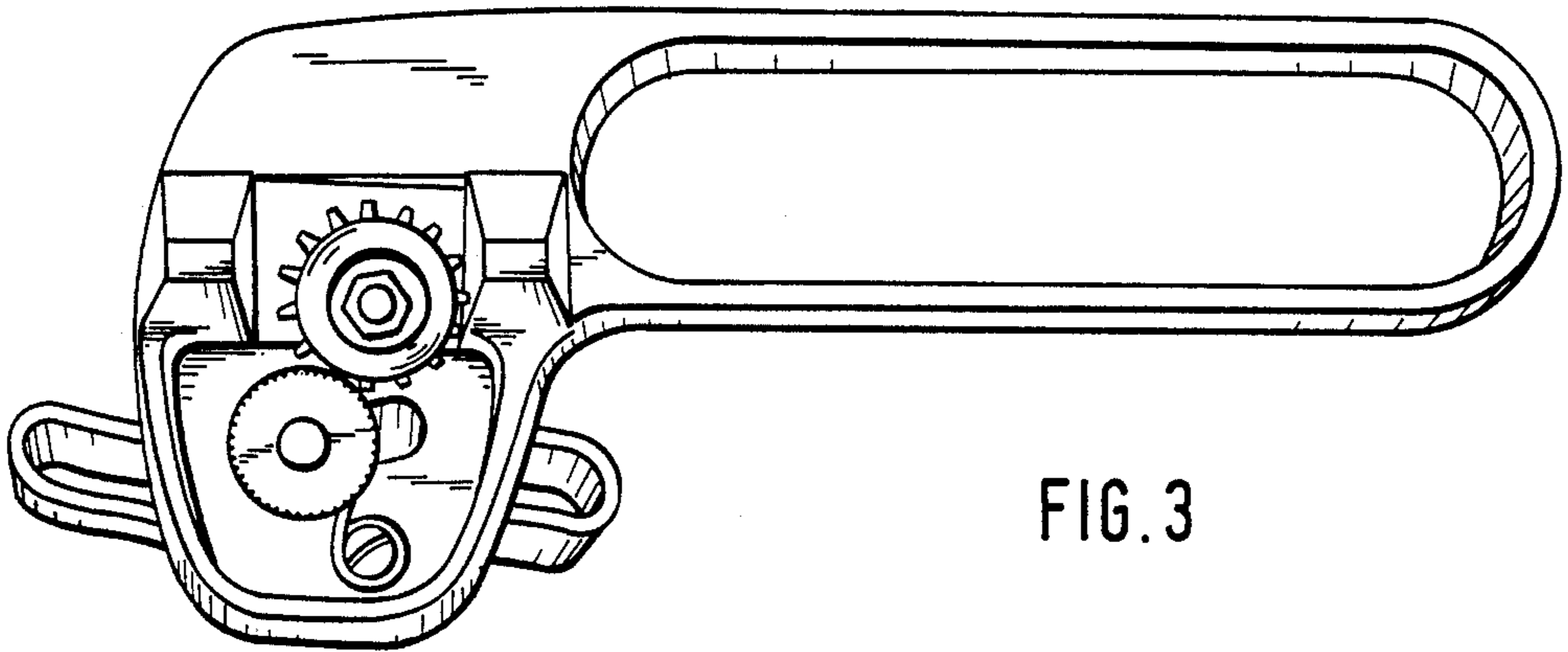


FIG. 3

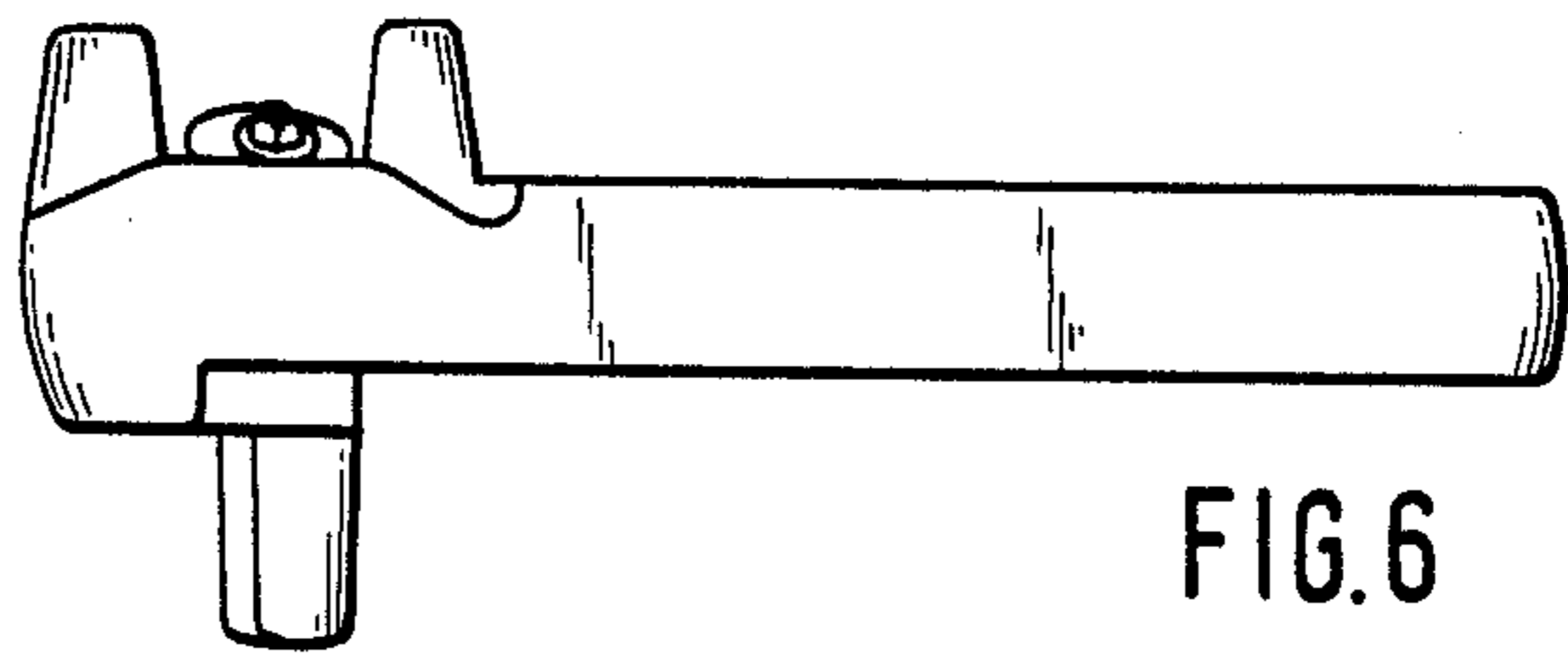


FIG. 6

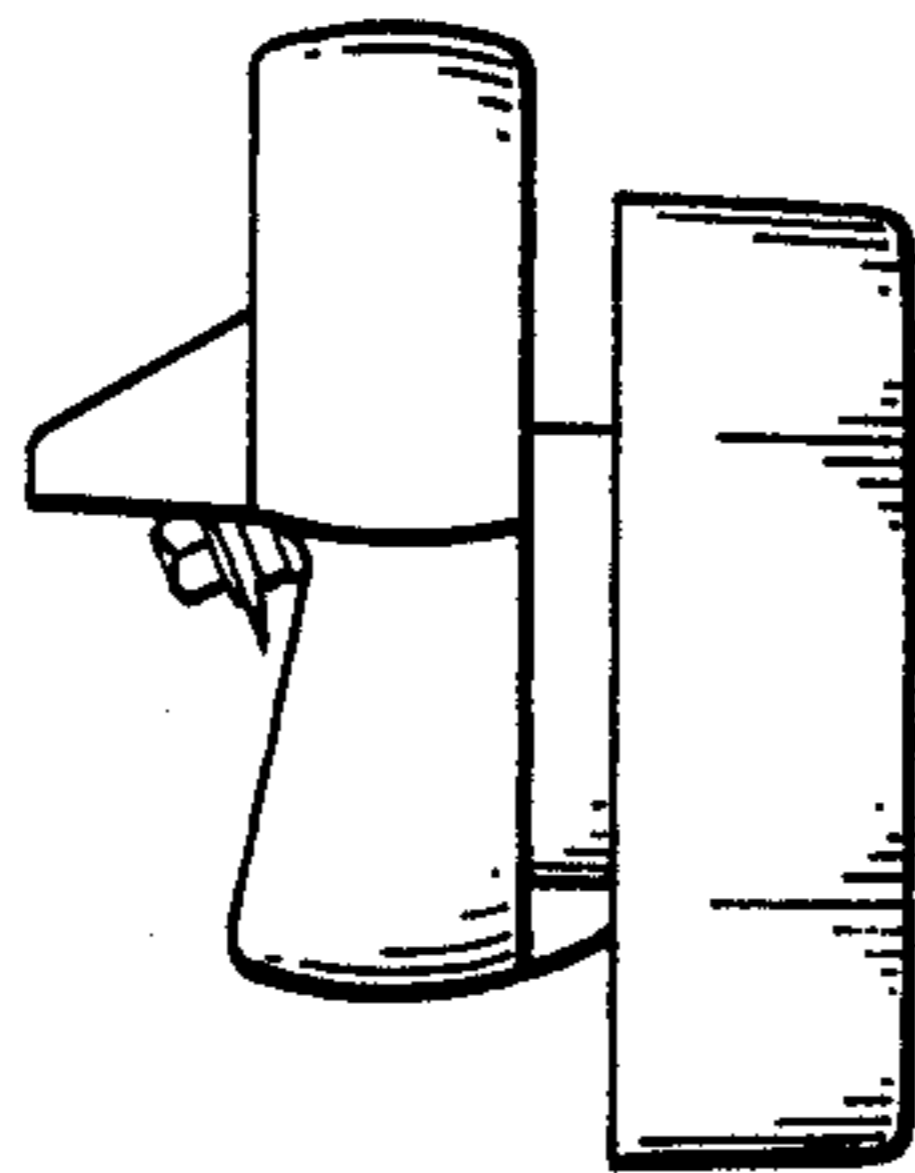


FIG. 7

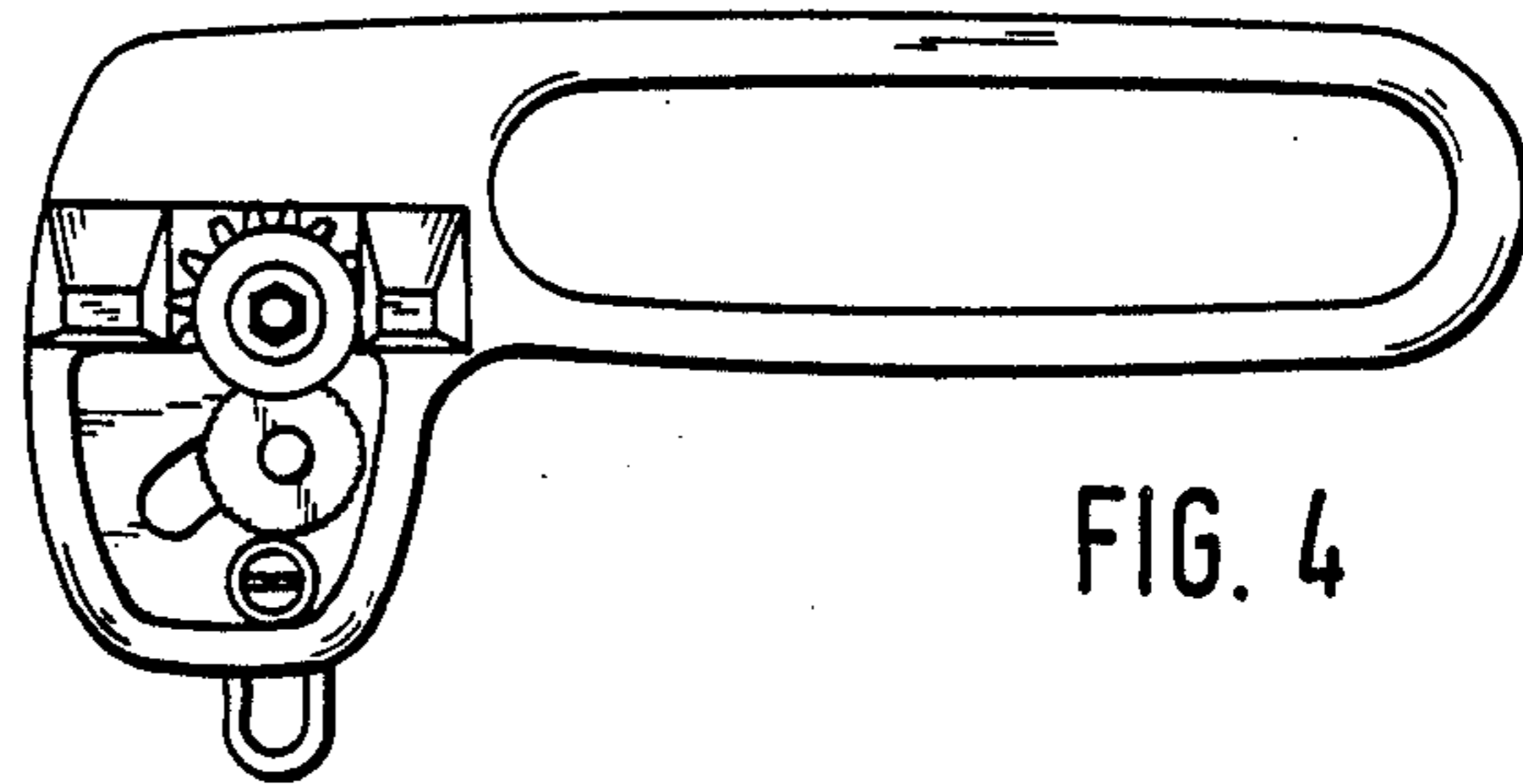


FIG. 4

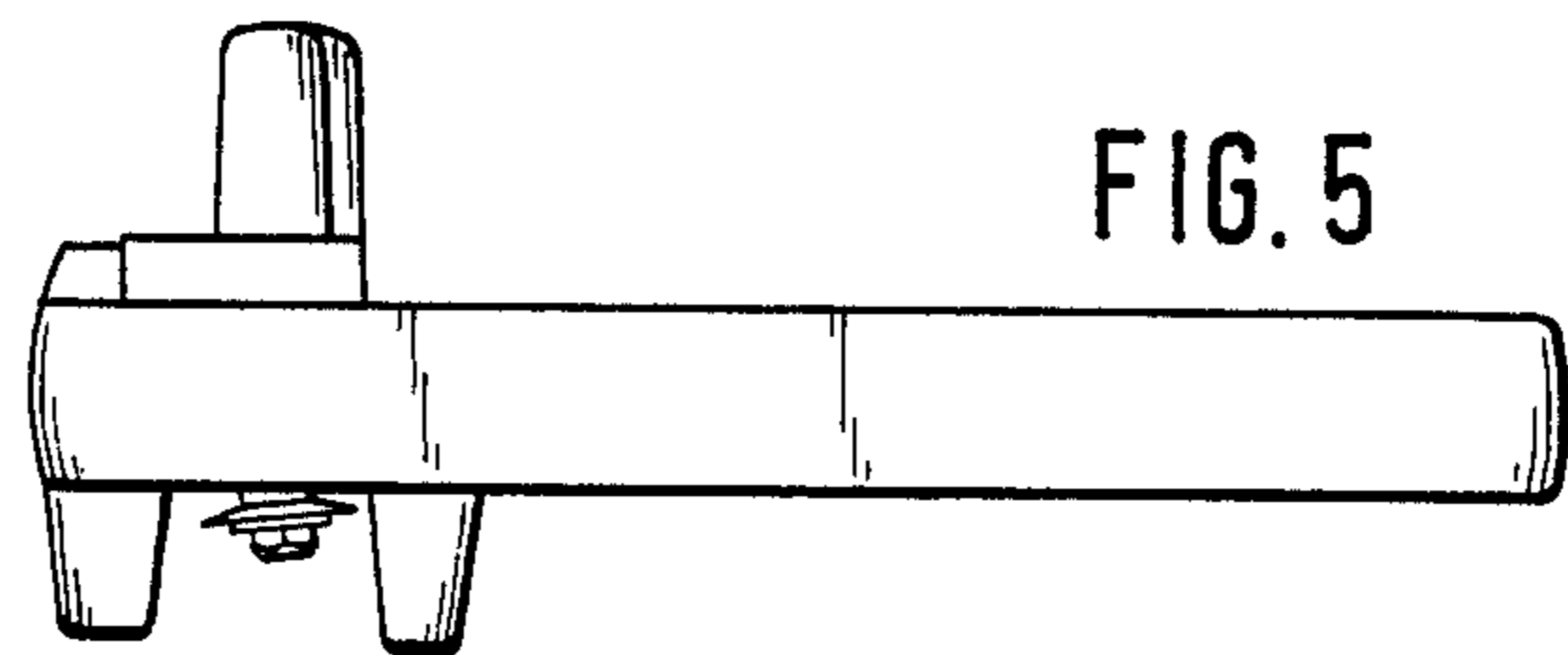


FIG. 5

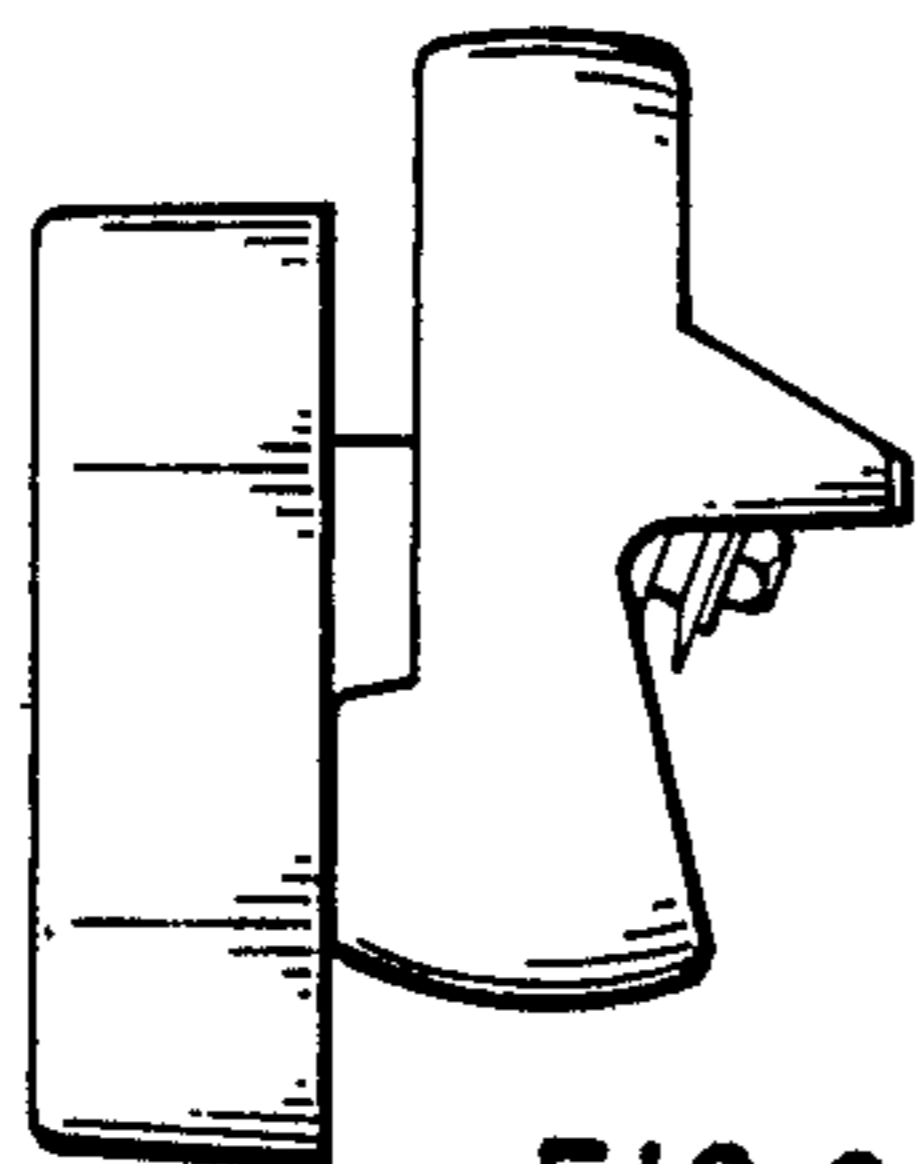


FIG. 8

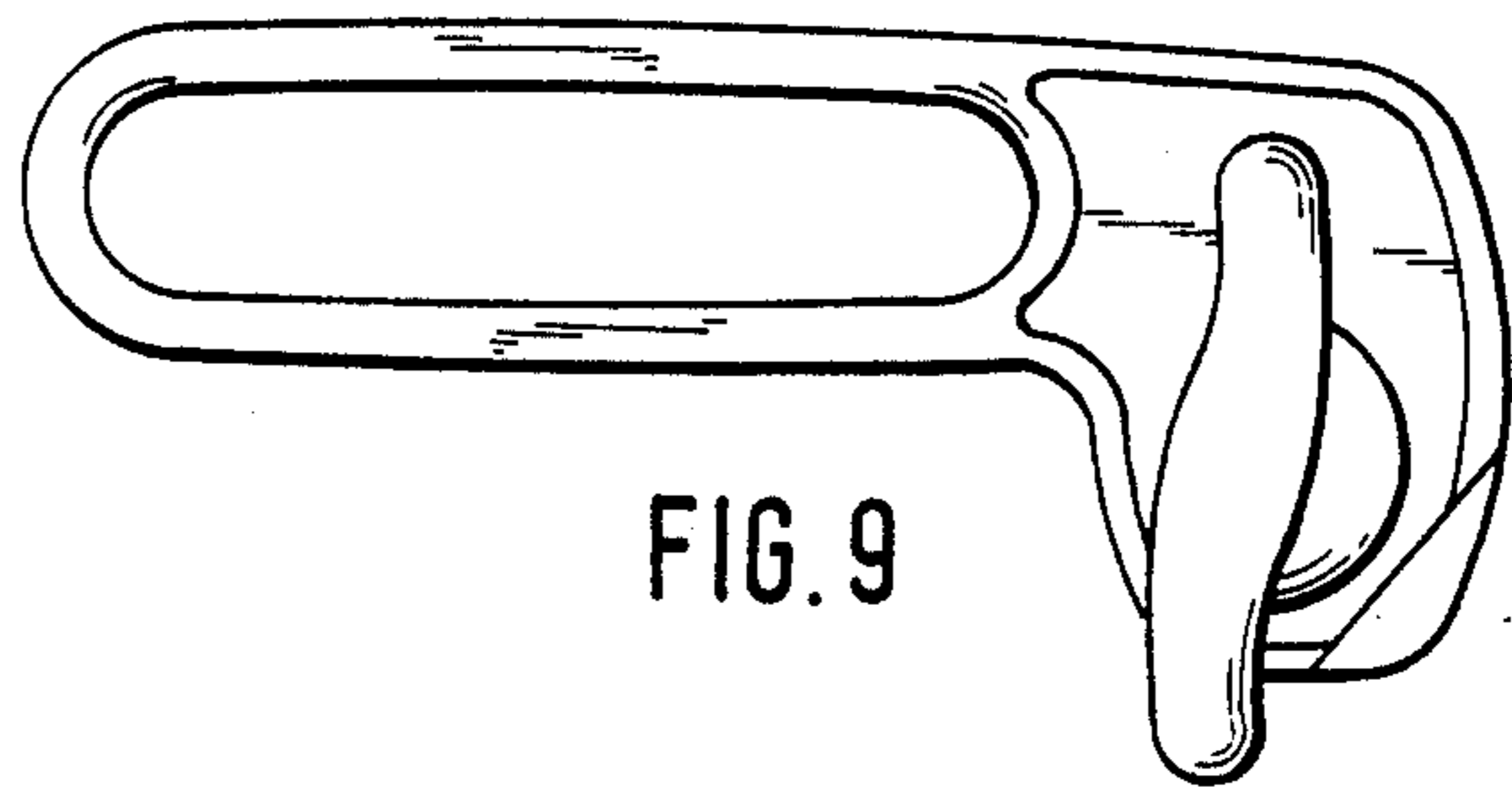


FIG. 9