

[54] JUICE EXTRACTOR

[75] Inventor: Hartwig Kahlcke, Kronberg, Fed. Rep. of Germany

[73] Assignee: Braun Aktiengesellschaft, Kronberg, Fed. Rep. of Germany

[\*\*] Term: 14 Years

[21] Appl. No.: 16,146

[22] Filed: Feb. 18, 1987

[30] Foreign Application Priority Data

Sep. 6, 1986 [DE] Fed. Rep. of Germany ..... 73 MR 9512

[52] U.S. Cl. .... D7/665

[58] Field of Search ..... D7/48-49, D7/372-374; 99/495, 501-506; 100/213

[56] References Cited

U.S. PATENT DOCUMENTS

D. 259,385 6/1981 Levin ..... D7/49 X

FOREIGN PATENT DOCUMENTS

1012827 12/1982 United Kingdom .  
1027710 1/1985 United Kingdom .

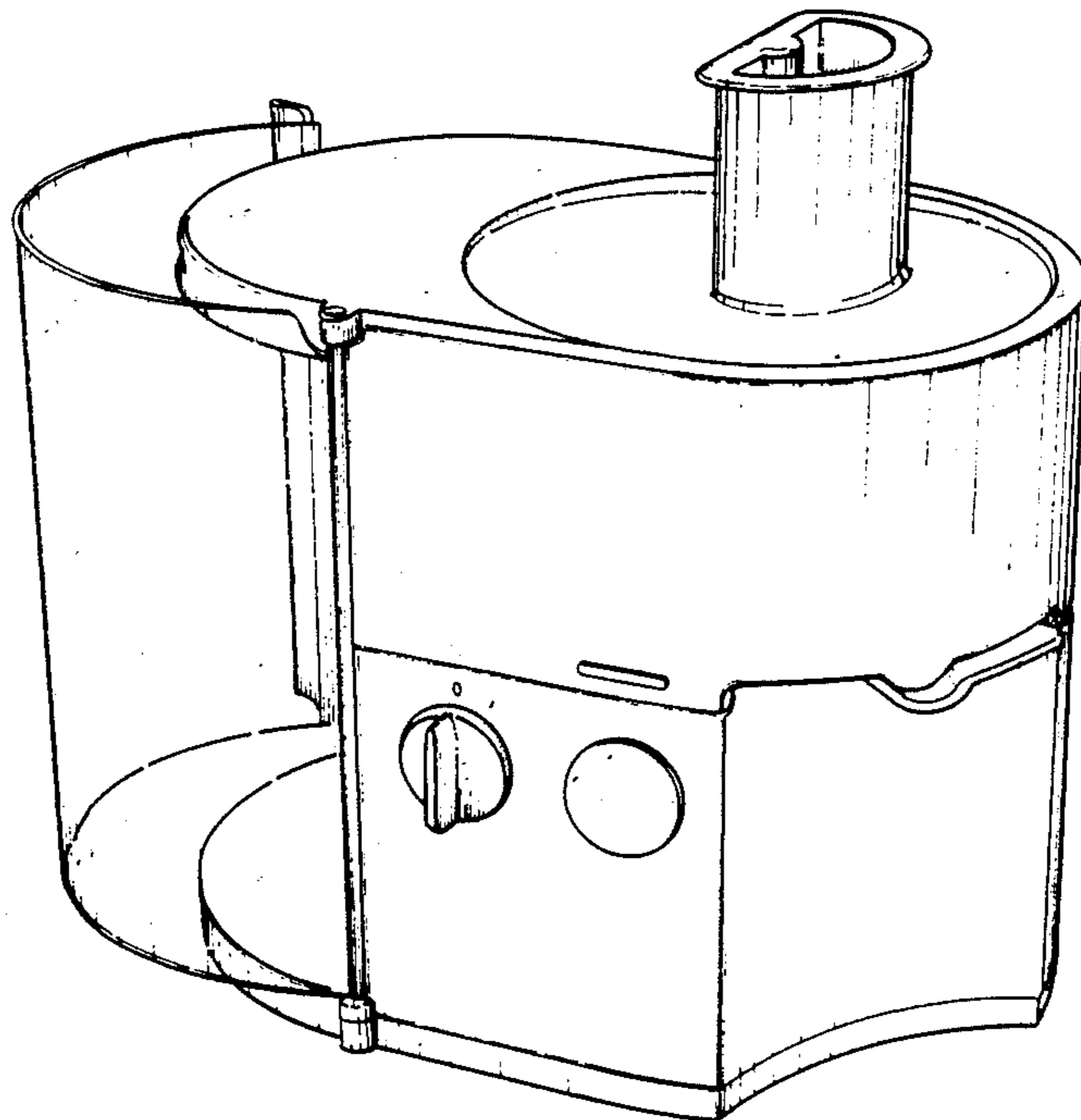
Primary Examiner—Bernard Ansher  
Assistant Examiner—Terry Pfeffer  
Attorney, Agent, or Firm—Fish & Richardson

[57] CLAIM

The ornamental design for a juice extractor, as shown and described.

DESCRIPTION

FIG. 1 is a perspective front elevational view of a juice extractor showing my new design;  
FIG. 2 is a front elevational view thereof;  
FIG. 3 is a rear elevational view thereof;  
FIG. 4 is a side view thereof;  
FIG. 5 is a side view thereof;  
FIG. 6 is a top plan view thereof;  
FIG. 7 is a bottom plan view thereof;



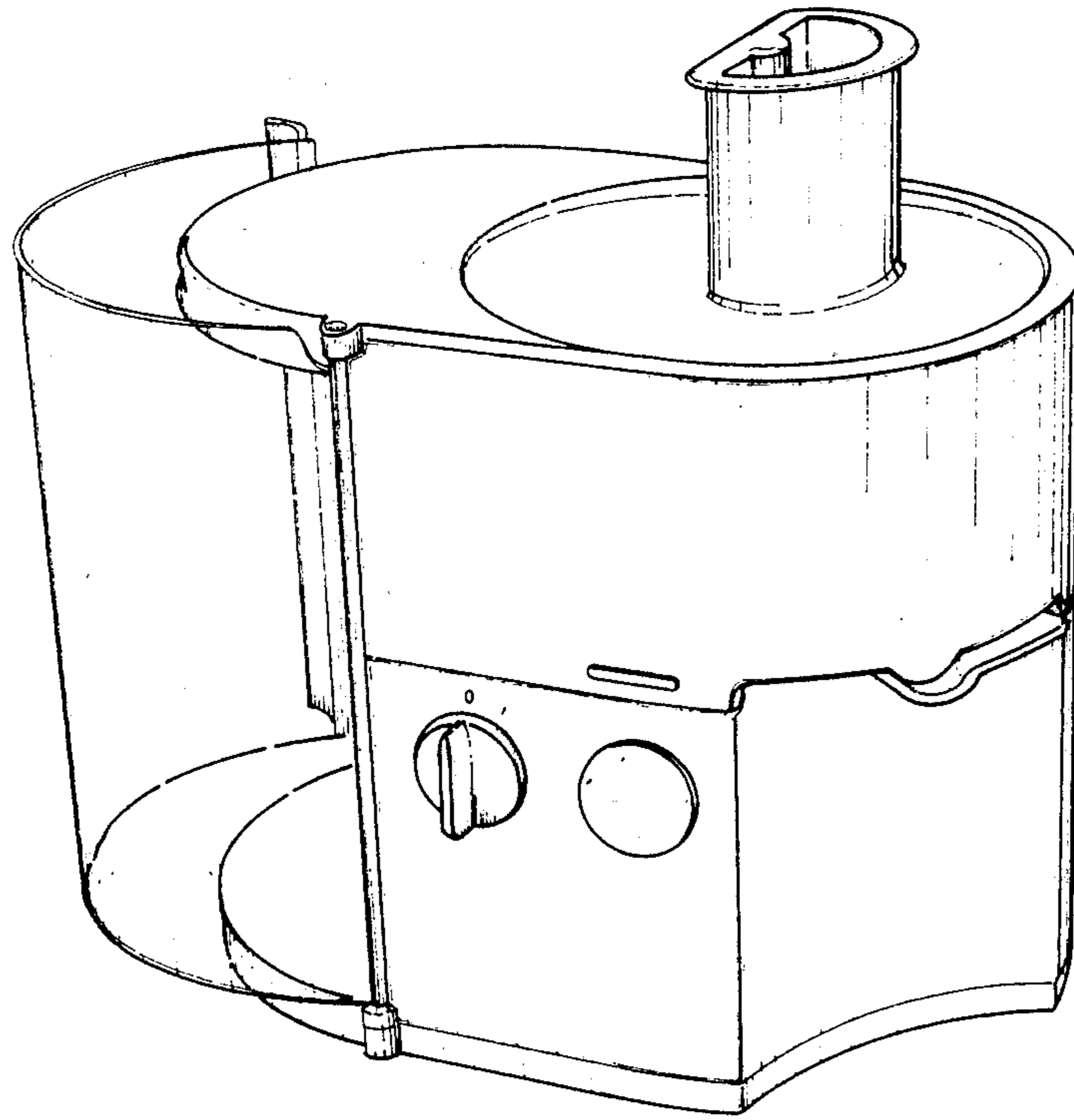


FIG. 1

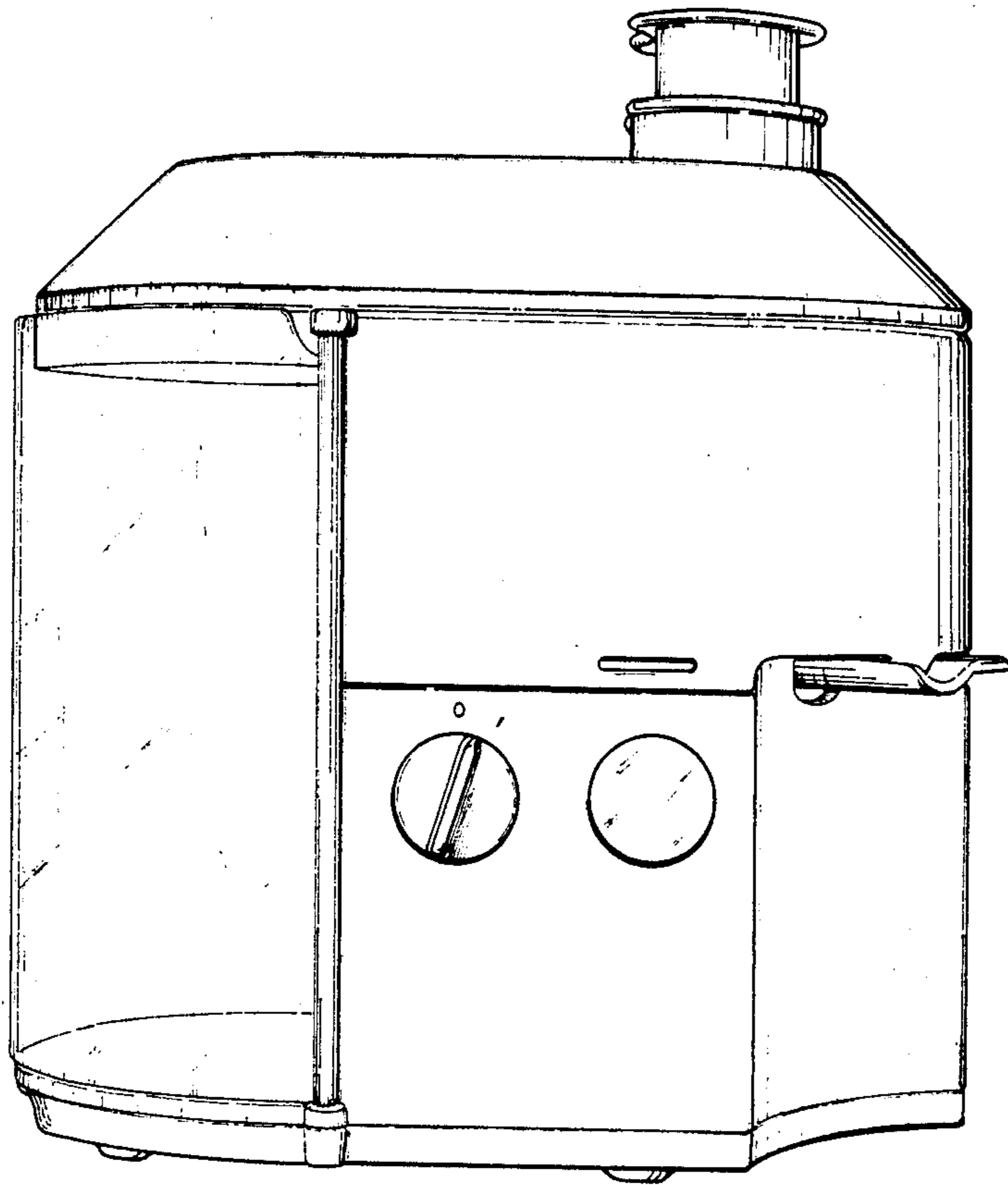


FIG.2

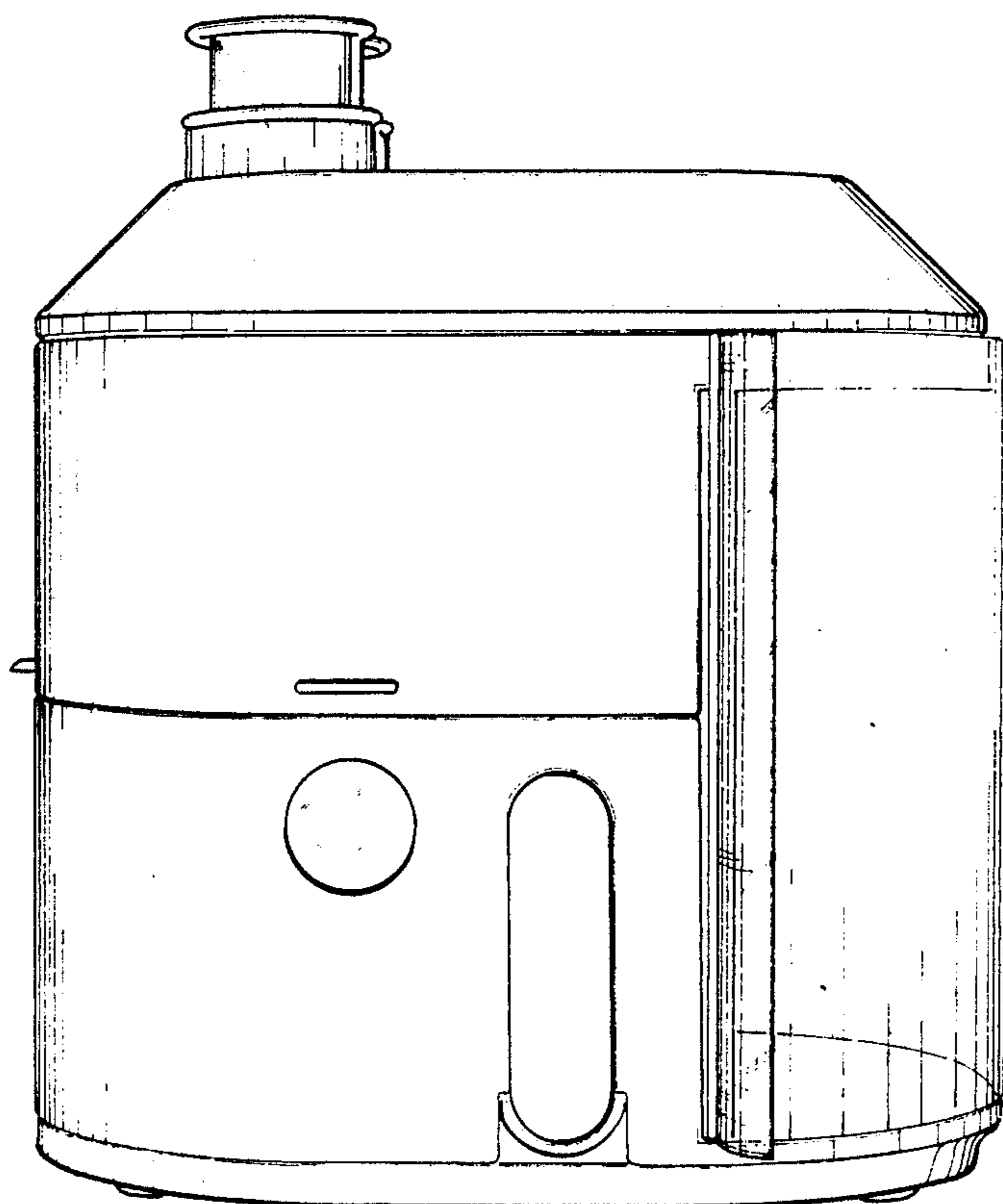


FIG. 3

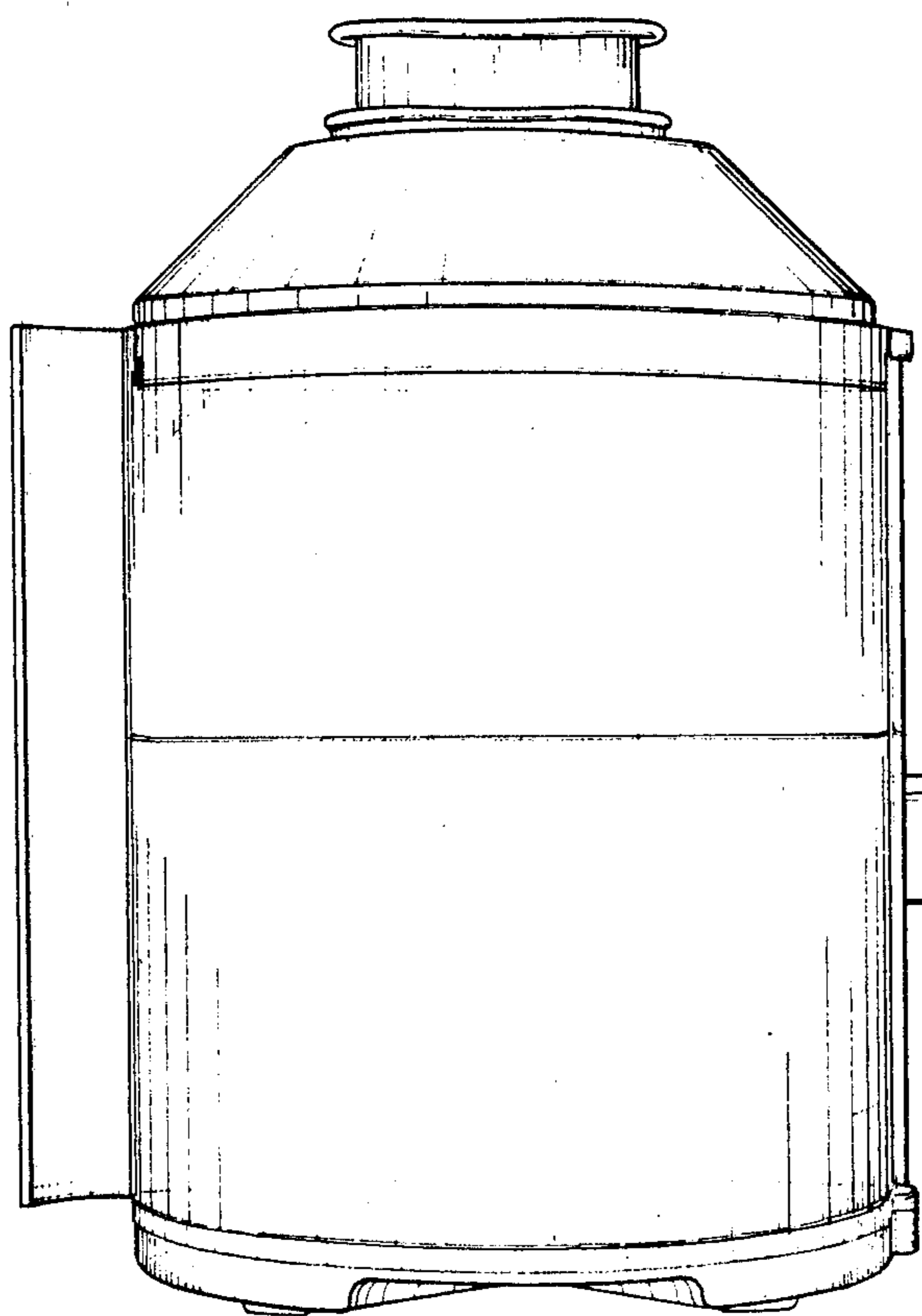


FIG. 4

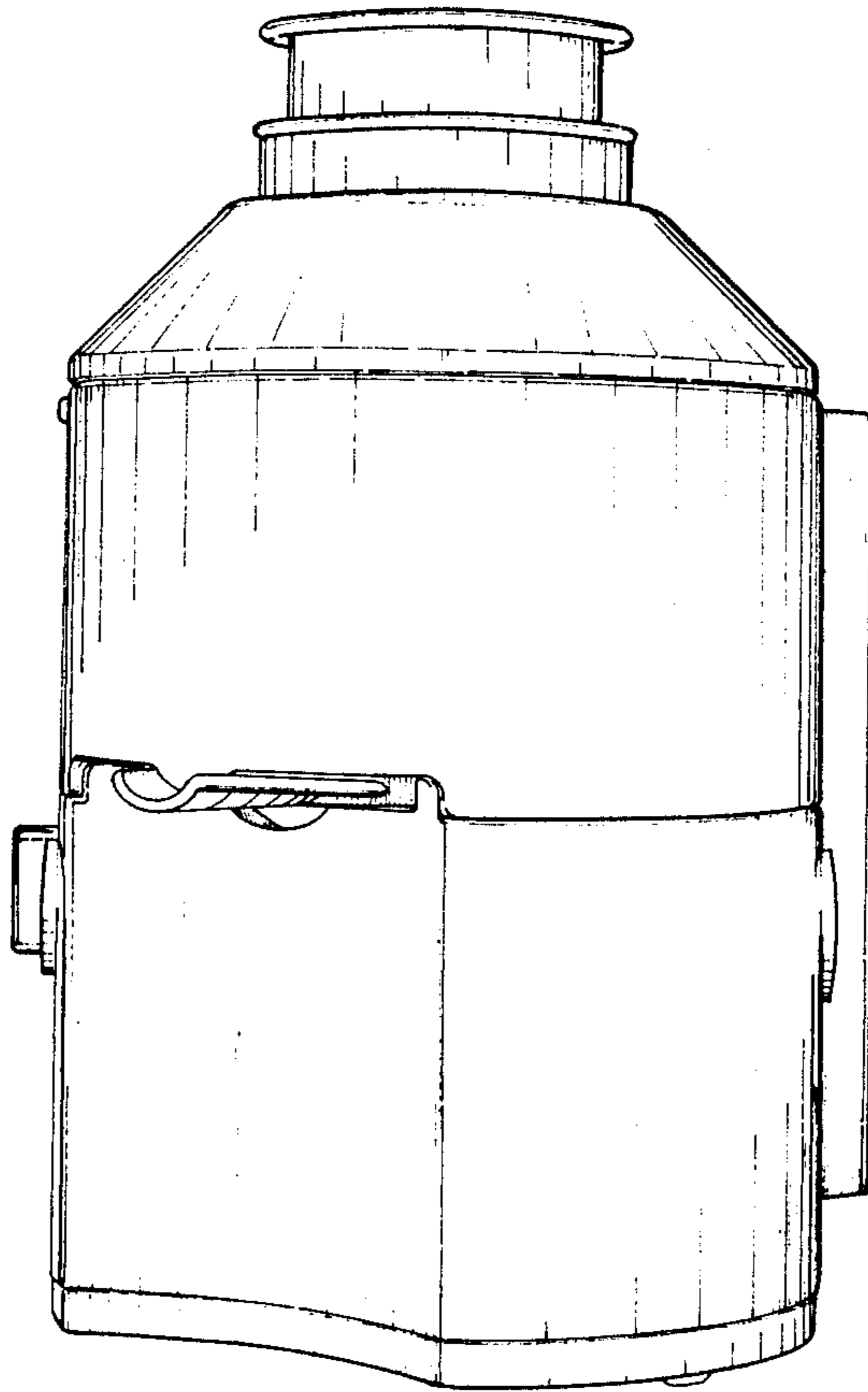


FIG. 5

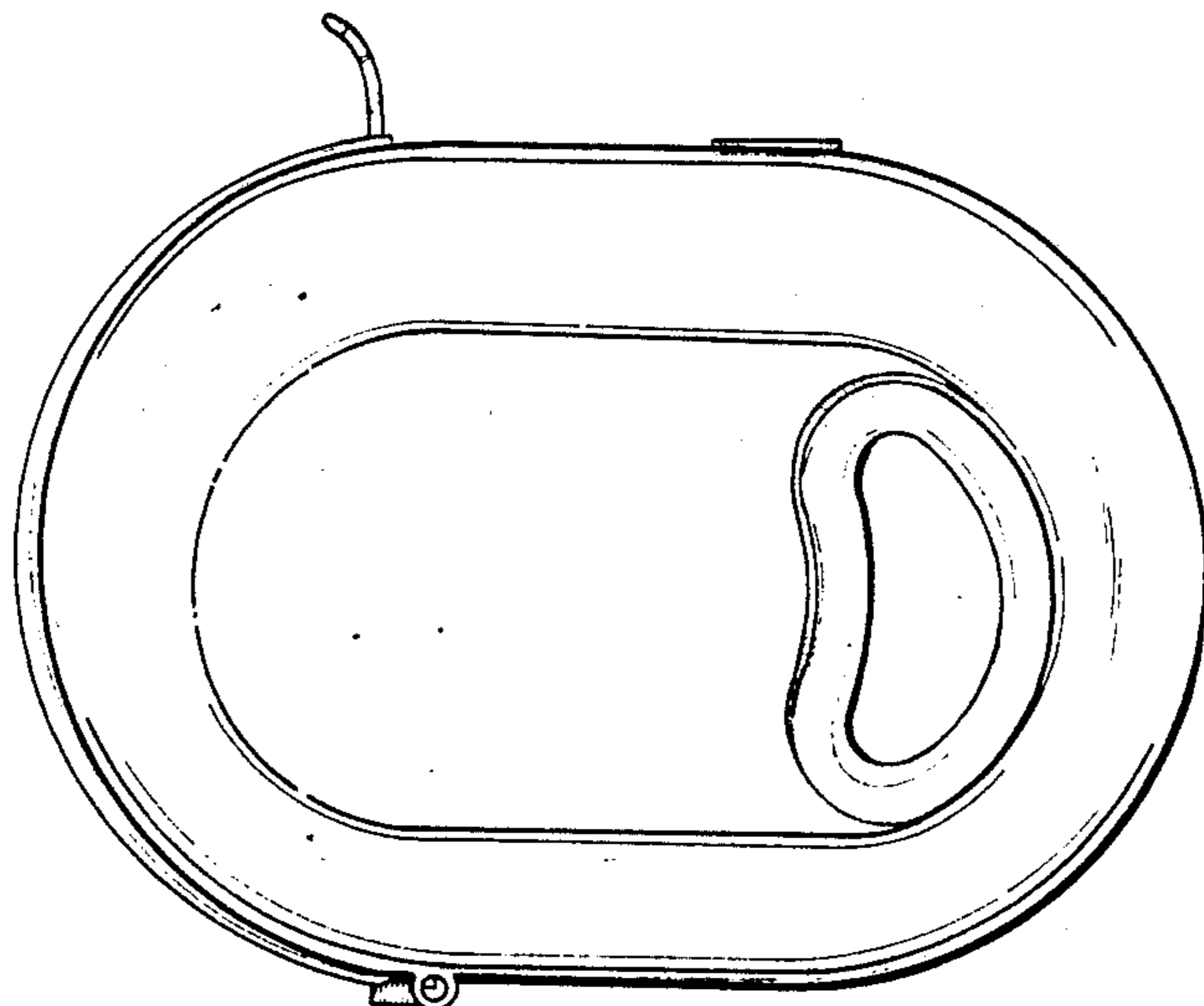


FIG. 6

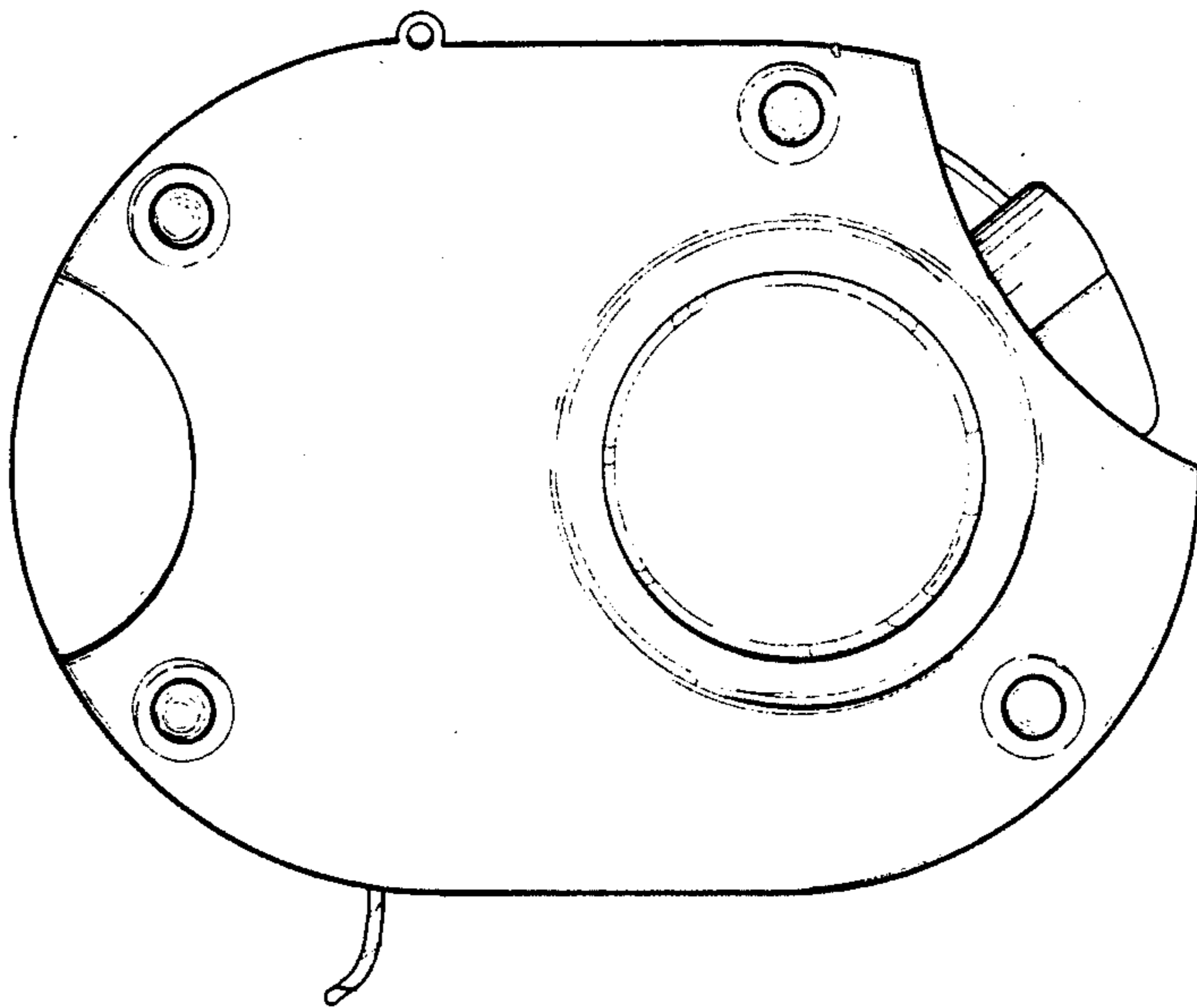


FIG. 7