

[54] FOOD PROCESSOR

[75] Inventors: Sally A. Hattle, Oxford; Paul Rawson, Easton, both of Conn.

[73] Assignee: Black & Decker Inc., Newark, Del.

[**] Term: 14 Years

[21] Appl. No.: 67,781

[22] Filed: Jun. 30, 1987

[52] U.S. Cl. D7/384

[58] Field of Search D7/368-374, D7/376-384, 386, 48, 49, 412, 413, 414, 415

[56] References Cited

U.S. PATENT DOCUMENTS

- D. 282,620 2/1986 Cavalli D7/384
- D. 290,676 7/1987 Stutzer et al. D7/384
- D. 292,260 10/1987 Barrault D7/384

OTHER PUBLICATIONS

Best Products Catalog; p. 210, FIG. #6; center panel,

right side; Hamilton Beach Food Processor Model 721AL.

Hong Kong Household, Oct., 1984, p. 33, Electric Juicer by Tung Ngai Plastic Mfg. Co.

Primary Examiner—Winifred E. Herrmann

Assistant Examiner—John Warchol

Attorney, Agent, or Firm—Barry E. Deutsch

[57] CLAIM

The ornamental design for a food processor, as shown.

DESCRIPTION

FIG. 1 is a top, front and right side perspective view of a food processor showing our new design;

FIG. 2 is a front elevational view thereof;

FIG. 3 is a right side elevational view thereof;

FIG. 4 is a top plan view thereof;

FIG. 5 is a rear elevational view thereof;

FIG. 6 is a bottom plan view thereof; and

FIG. 7 is an exploded top, left side perspective view thereof.

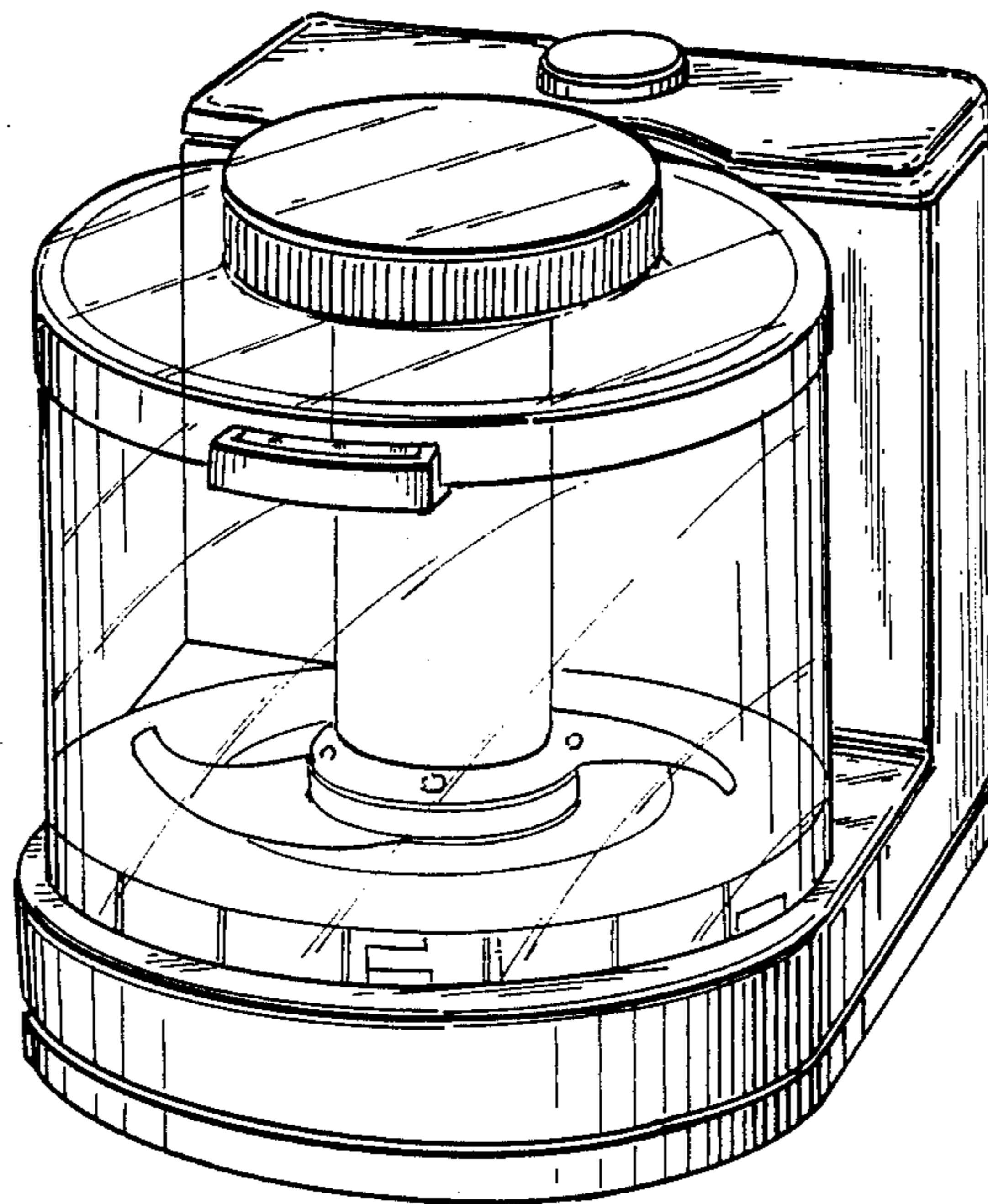


FIG. 1

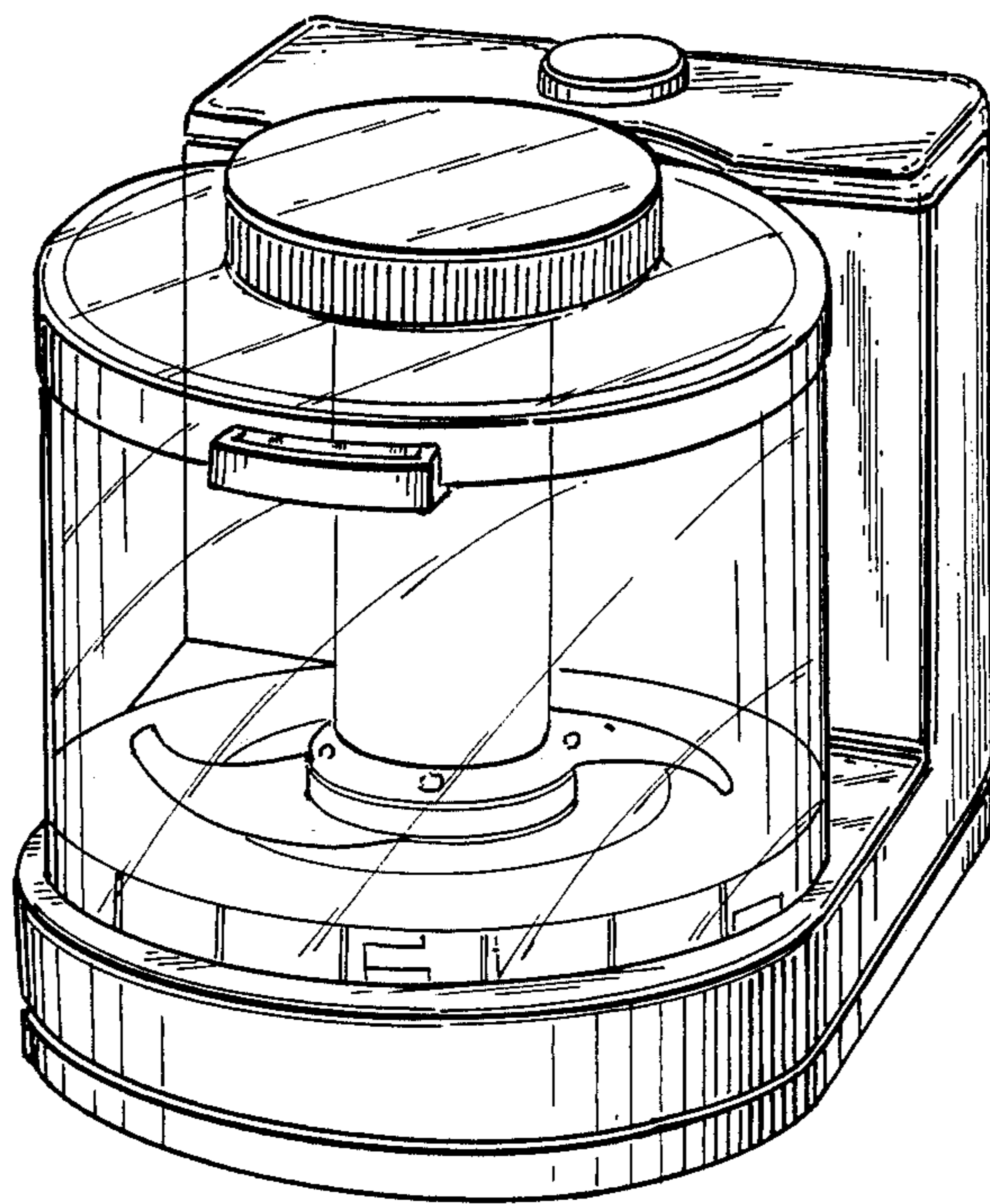


FIG. 2

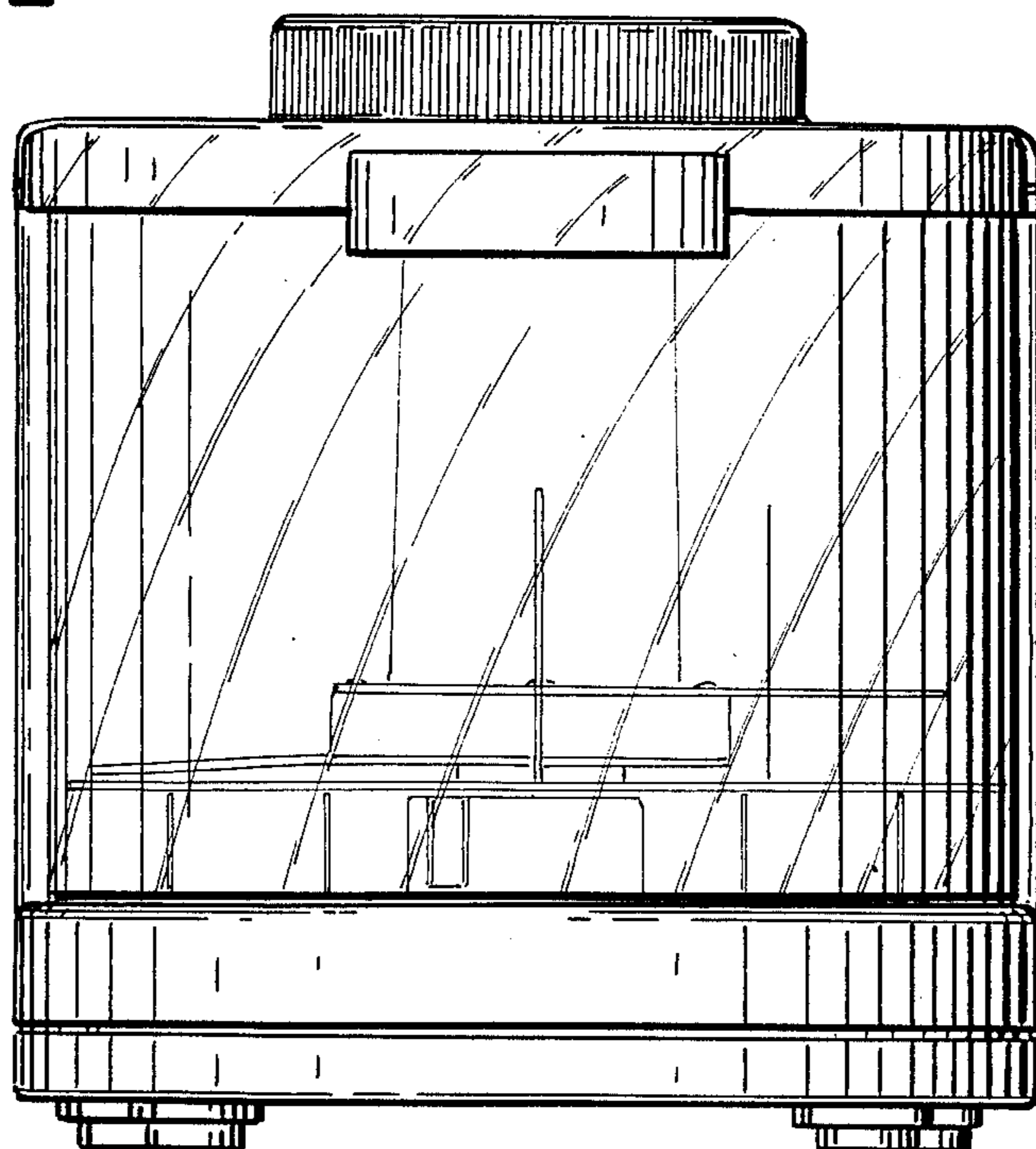


FIG. 3

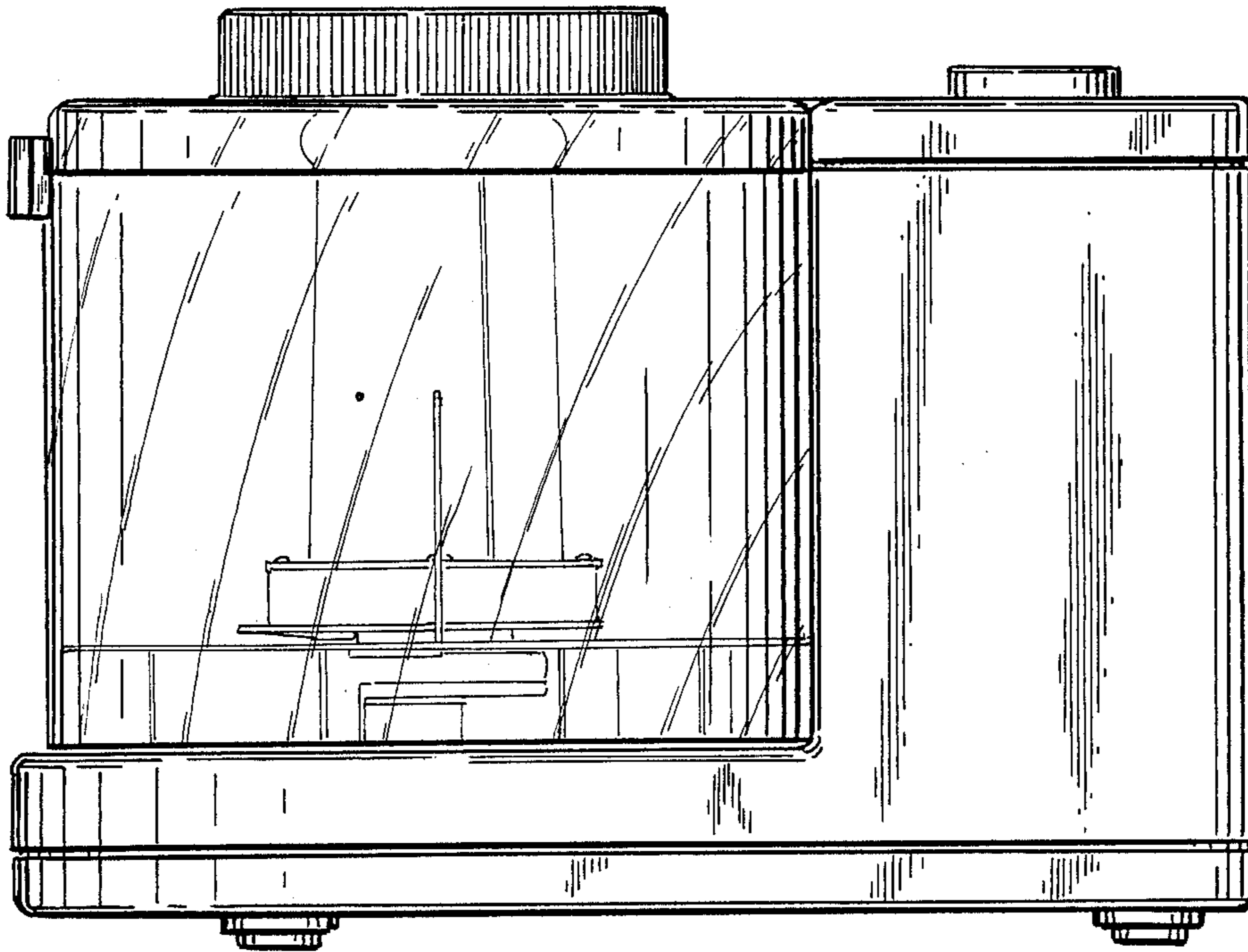


FIG. 5

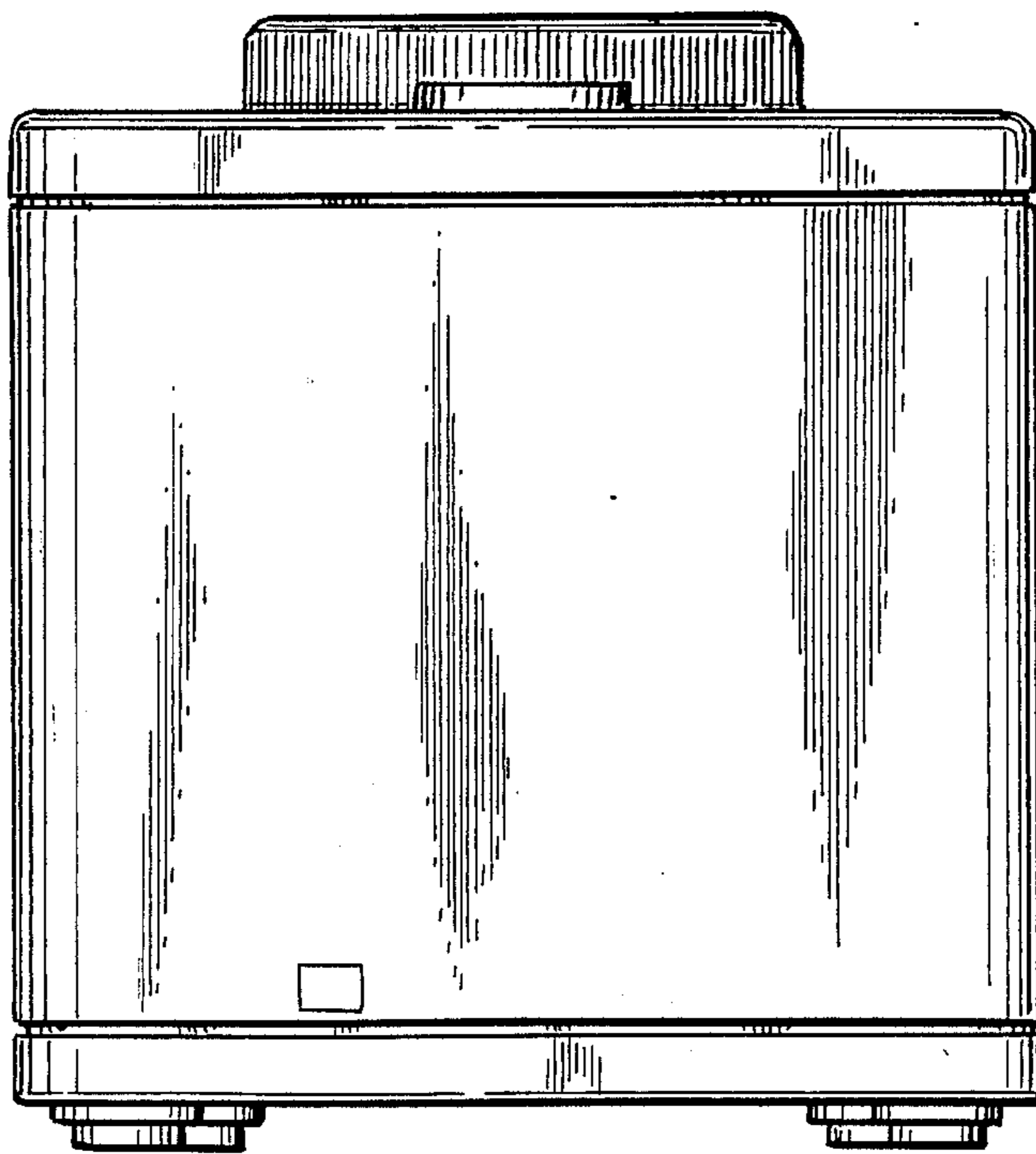


FIG. 4

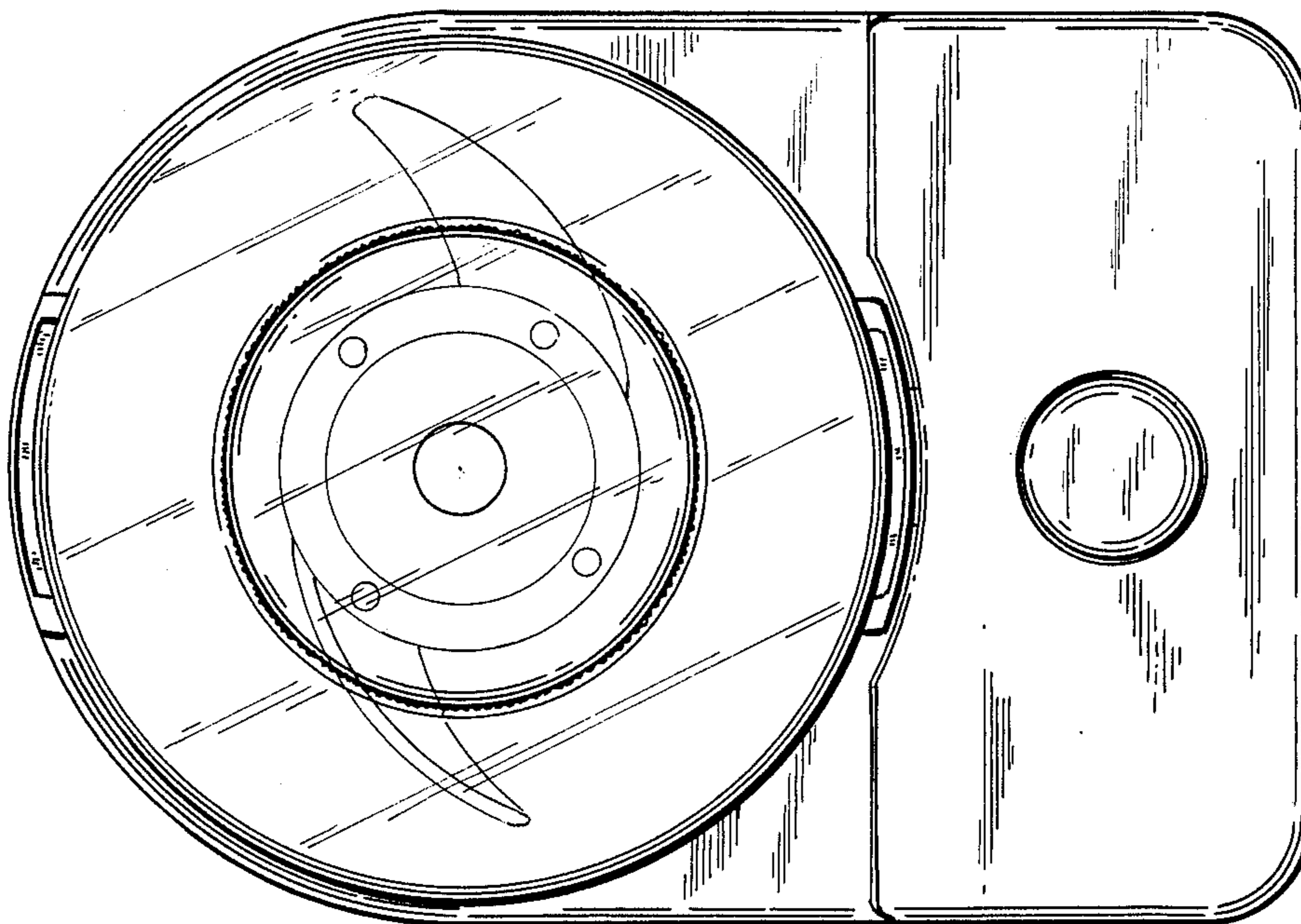


FIG. 6

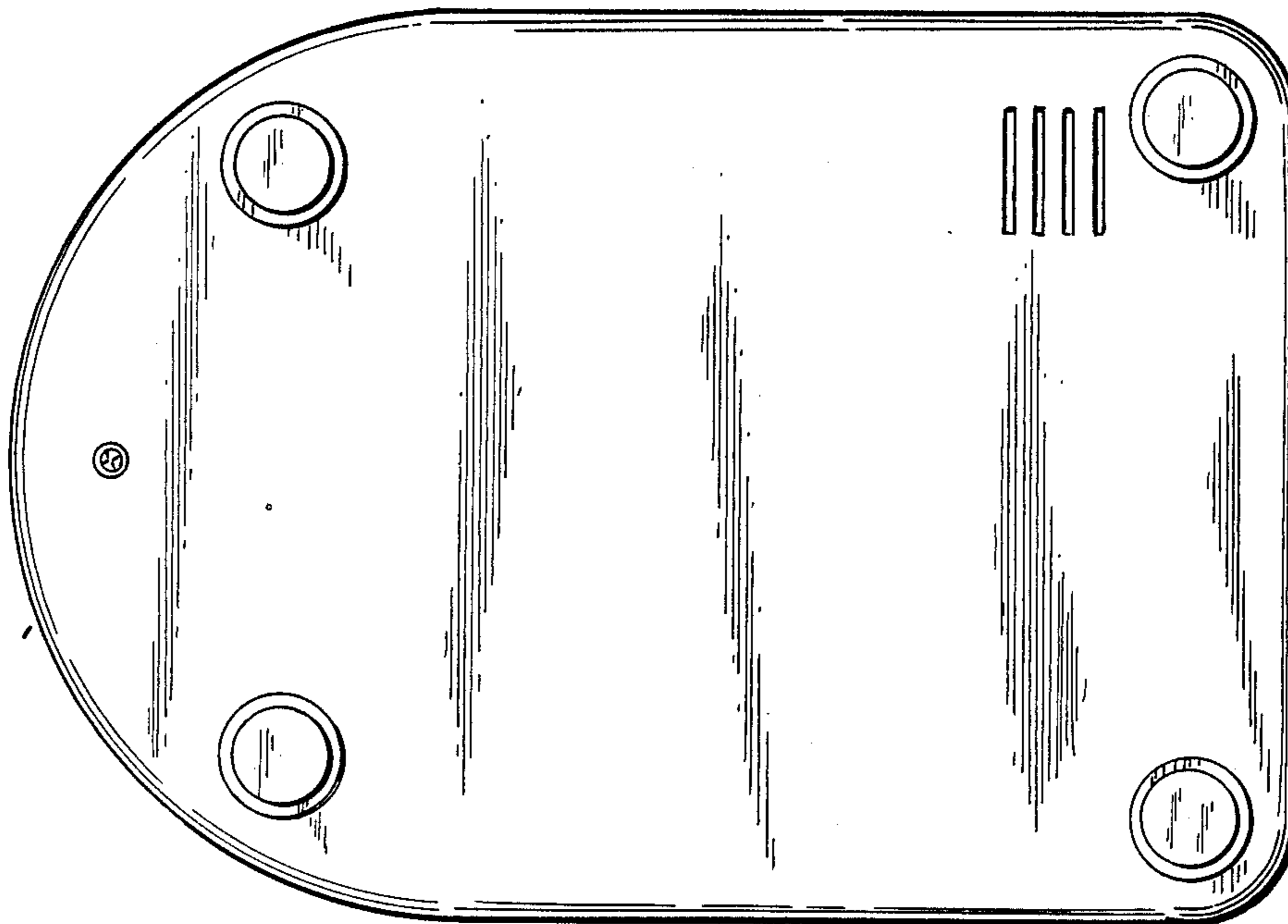


FIG. 7

